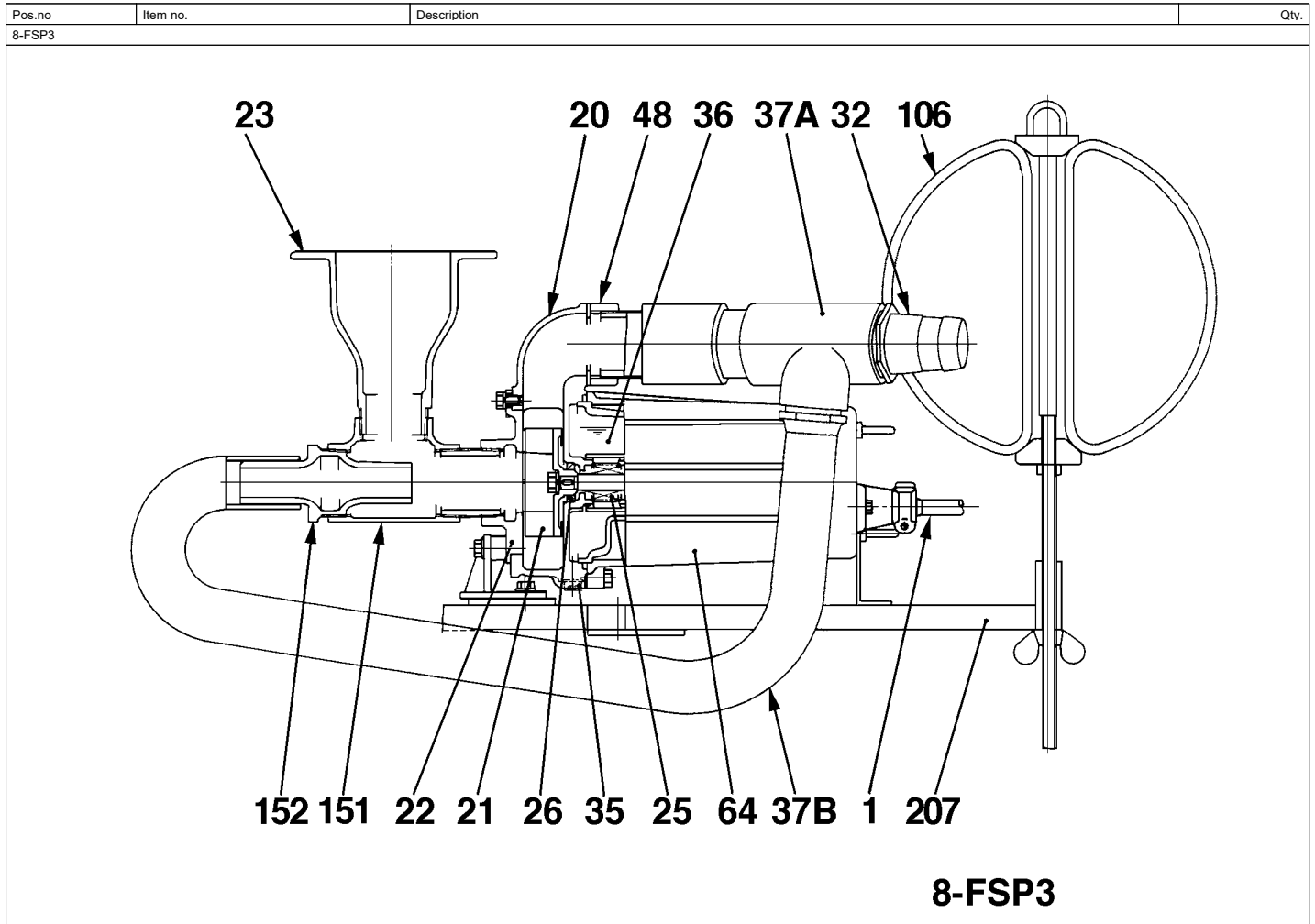


8-FSP3

Kontroll-Nr. --

2024-02-21 V.01.02.2023



1.1.1	173-295-16	Packing & O-Ring Set	1
1 (1)	001-TEG-31	Cabletyre Cable Set (20m) H07RN-F4Cx1,5mm ² with gland	1
1 (1)	M01-TEG-31	Cabletyre Cable Set (20m) NSSHÖU 4Cx1,5mm ²	1
2	003-190-10	Gland SUS316 (EN X5Cr-Ni-Mo17-12-2)	1
3	140-427-17	Hex.Bolt (w/Plain Washer) M5x15 SUS304 (EN X5CrNi18-10)	2
4 (20A)	020-000-85	Pump Casing 8-AT (Cast Iron)	1
5	122-072-17	O-Ring P-140 NBR	1
6	140-057-12	Hex.Bolt M8x30 SUS304 (EN X5CrNi18-10) Stainless Steel	3
7 (21)	021-744-11	Impeller (50Hz) FC	1
8	141-006-77	Hex.Nut M10 S45C	1
9	142-164-19	Spring Washer M10 SUS304	1
10	040-100-18	Impeller Adjusting Washer 11,2x17x0,3t SUS304 (EN X5CrNi18-10) Stainless Steel	1
11 (22)	022-548-16	Suction Cover 8-FSP FC	1
12	120-131-19	Packing d125xd159x0,3t PE	1
13	140-051-16	Hex.Bolt M8x15 SUS304 (EN X5CrNi18-10) Stainless Steel	3
14	142-163-21	Spring Washer M8 SUS316 (DIN 1.4401) Stainless Steel	3
15 (25)	025-000-78	Mechanical Seal W-14HC SSIC	1
16 (26)	026-178-13	Oil Seal SC-22357 NBR	1
17 (35)	035-112-17	Oil Plug M8x12 SUS304 (EN X5CrNi18-10) Stainless Steel	1
18	121-248-13	Packing d8.2xd13.5x2t PE	1
19 (152)	032-211-18	Hose Coupling Resin	1
20 (23)	020-564-12	Suction Funnel 4/8-FSP Resin	1
21 (151)	080-013-17	Air Inlet Casing 2x2x2 FC	1
22 (A)	080-011-15	Nipple 2 FC	1
23 (48)	048-000-07	Screwed Flange 50mm(P.C.90)For Stainless Steel Pump (Resin)	1
24	140-057-12	Hex.Bolt M8x30 SUS304 (EN X5CrNi18-10) Stainless Steel	2
25	142-127-23	Plain Washer M8 SPC	2
26	121-469-12	Packing d90xd58x2t NR	1
27 (B)	080-010-14	Elbow (45 Deg.) 2	1
28 (37A)	080-012-16	Tee 2x2x1+1/2 FC	1
29 (C)	080-011-15	Nipple 2 FC	2
30 (37B)	180-312-12	Hose 1.5VSA 900l	1
31	181-080-11	Hose Band HAS-28 Stainless Steel	2
32 (D)	032-164-28	Hose Coupling 40mm Resin	1
33 (32)	032-165-29	Hose Coupling 50mm Resin	1
34 (207)	044-003-12	Pump Base 8-FSP SGP+SS	1
35	140-051-16	Hex.Bolt M8x15 SUS304 (EN X5CrNi18-10) Stainless Steel	2
36	142-127-10	Plain Washer M8 SUS304 (EN X5CrNi18-10) Stainless Steel	2
37 (H)	044-004-13	Pump Support Stay 4/8-FSP SS	1
38	140-054-19	Hex.Bolt M8x20 SUS304 (EN X5Cr18-10)	2

8-FSP3

Kontroll-Nr. --

2024-02-21 V.01.02.2023

Pos.no	Item no.	Description	Qty.
39	142-127-10	Plain Washer M8 SUS304 (EN X5CrNi18-10) Stainless Steel	2
40 (G)	044-005-14	Float Support 4/8-FSP SS	3
41 (F)	141-007-10	Hex.Nut M12 SUS304	3
42 (I)	141-044-19	Wing Nut M12 SUS304 (EN X5CrNi18-10) Stainless Steel	3
43 (E)	044-006-15	Float Support 4/8-FSP FC	3
44 (106)	106-011-18	Float Set 10B-3	3
45	176-004-15	Rope 6mmx6m PP	3
46 (64)	064-000-64	Motor Frame FC	1
47	142-194-18	Wave Washer #6203 SK-5	1
48	055-001-17	Rotor w/Bearing SUS403 (EN X6Cr13) Stainless Steel	1
49	056-003-31	Stator 380/400/415V-50HZ	1
50	058-000-34	Lead Wire Protection Plate d52xd115x1t Bakelite	1
51	060-000-74	Bearing Housing FC	1
52	062-187-17	Bearing Fixing Washer d5.5xd18x2.3t SPC	2
53	140-000-23	Hex.Bolt (w/Spring Washer) M5x10 SWRM	2
54	053-465-14	Motor Protector 380/400/415V-50HZ KA311-DPXL62C (T.C)	1
55	143-126-12	Pan Screw (w/Spring Washer/Plain Washer) M4x12 SWRM	2
56	127-000-32	Protector Fixing Plate P.C.39.5x117L SECC	1
57	147-016-10	Impeller Key 4x4x10L SUS403 (EN X6Cr13)	1
58	072-105-25	Eye Bolt M8 SUS304 (EN X5CrNi18-10) Stainless Steel	2
59	052-186-15	Bearing AC-6203ZZC3	1
60	052-106-11	Bearing 6303ZZC3	1
61	009-112-16	Earth Terminal 1.25mm2	1
62	143-085-34	Pan Screw (w/Spring Washer) M4x6 C3604 (EN CuZn39Pb3)	1
63	173-295-16	Packing & O-Ring Set	1
64	122-072-17	O-Ring P-140 NBR	1
65	121-248-13	Packing d8.2xd13.5x2t PE	1
66	121-469-12	Packing d90xd58x2t NR	1
	##oilVG32	ml Turbine Oil ISO VG32	420