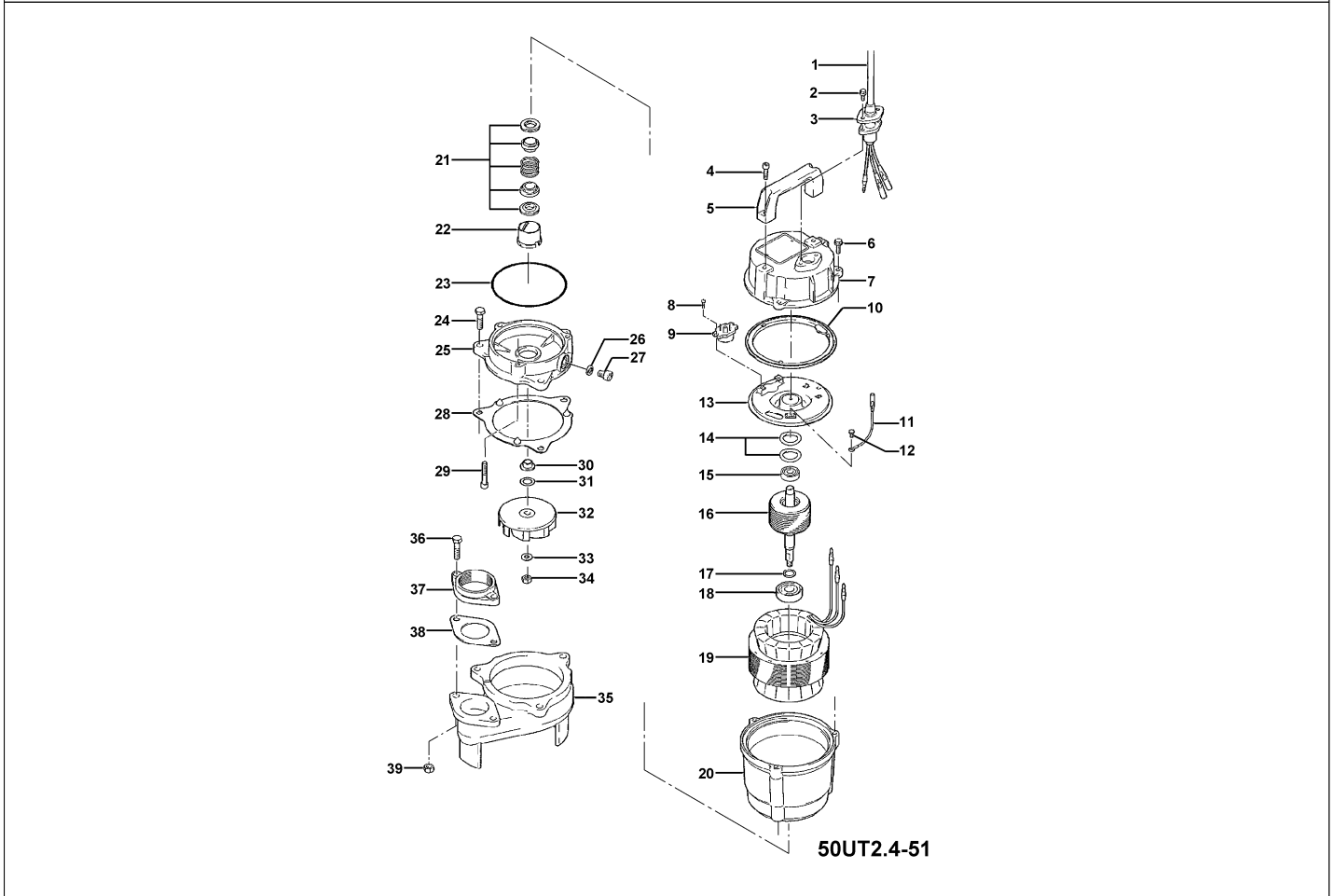


50UT2.4-51

Kontroll-Nr. --

2024-02-26 V.01.02.2023

Pos.no	Item no.	Description	Qty.	UP / EUR
--------	----------	-------------	------	----------



1.1.1	173-001-35	Packing & O-Ring Set	1	
1	001-TEG-31	Cabletyre Cable Set (20m) H07RN-F4Cx1,5mm ² with gland	1	
2	140-427-17	Hex.Bolt (w/Plain Washer) M5x15 SUS304 (EN X5CrNi18-10)	2	
3	003-190-10	Gland SUS316 (EN X5Cr-Ni-Mo17-12-2)	1	
4	140-253-10	Hex. Socket Cap Bolt M6x25 SUS304 (EN X5CrNi18-10) Stainless Steel	2	
5	068-146-38	Handle A Resin	1	
6	140-396-16	Hex.Bolt (w/Plain Washer) M6x20 SUS304 (EN X5CrNi18-10) Stainless Steel	3	
7	051-000-28	Motor Head Cover FC200	1	
8	143-000-13	Truss Screw M4x8 SUS304 (EN X5CrNi18-10)	2	Price on req.
9	053-001-40	Motor Protector 380/400/415V-50Hz(EUR) KA311-DPTL65 (H.C)	1	Price on req.
10	121-000-84	Packing NBR	1	
11	009-001-16	Earth Terminal UL1015-AWG18,G/Y,L=132	1	Price on req.
12	143-086-35	Pan Screw M4x8 BSBM	1	
13	050-451-18	Motor Bracket SECD	1	
14	142-451-16	Wave Washer 6201(D=32,t=0.25) SUP	2	
15	052-100-15	Bearing 6201ZZC3	1	
16	055-000-32	Rotor	1	Price on req.
17	061-180-17	Bearing Collar d15.1xd20x1.6t SS	1	
18	052-101-16	Bearing 6202ZZC3	1	
19	056-004-08	Stator 380/400/415V-50Hz(EUR)	1	
20	064-000-71	Motor Frame FC	1	
21	025-000-81	Mechanical Seal W-14VL SSiC (ROHS)	1	
22	030-000-09	Oil Lifter W-14VL Resin	1	
23	122-133-17	O-Ring G-110 NBR	1	
24	140-057-12	Hex.Bolt M8x30 SUS304 (EN X5CrNi18-10) Stainless Steel	3	
25	029-000-58	Oil Casing HS2.4(S)-51/61 FC	1	
26	121-246-11	Packing (Oil Plug) d10.3xd16x2t PE	1	
27	035-124-12	Oil Plug M10x15 SUS304 (EN X5CrNi18-10)	1	
28	121-000-20	Packing HS-4E NR	1	
29	140-256-13	Hex.Socket Cap Bolt M6x35 SUS304 (EN X5CrNi18-10)	3	
30	071-292-14	Shaft Sleeve LB3-250/480 SUS304 (EN X5CrNi18-10) Stainless Steel	1	
31	142-354-18	Conical Spring Washer d11.2xd22.5x0.8t SUS304 (EN X5CrNi18-10) Stainless Steel	1	
32	021-G28-21	Impeller Resin PPO+GF20	1	
33	142-127-10	Plain Washer M8 SUS304 (EN X5CrNi18-10) Stainless Steel	1	
34	141-005-18	Hex.Nut M8 SUS304 (EN X5CrNi18-10)	1	
35	020-001-85	Pump Casing 40UT2.4S-51/61 FC200	1	
36	140-059-14	Hex.Bolt M8x45 SUS304 (EN X5CrNi18-10)	2	
37	048-131-12	Screwed Flange 50mm(P.C.84) FC	1	
38	121-138-19	Packing (Screwed Flange) LB(P.C.84) NBR	1	
39	141-005-18	Hex.Nut M8 SUS304 (EN X5CrNi18-10)	2	