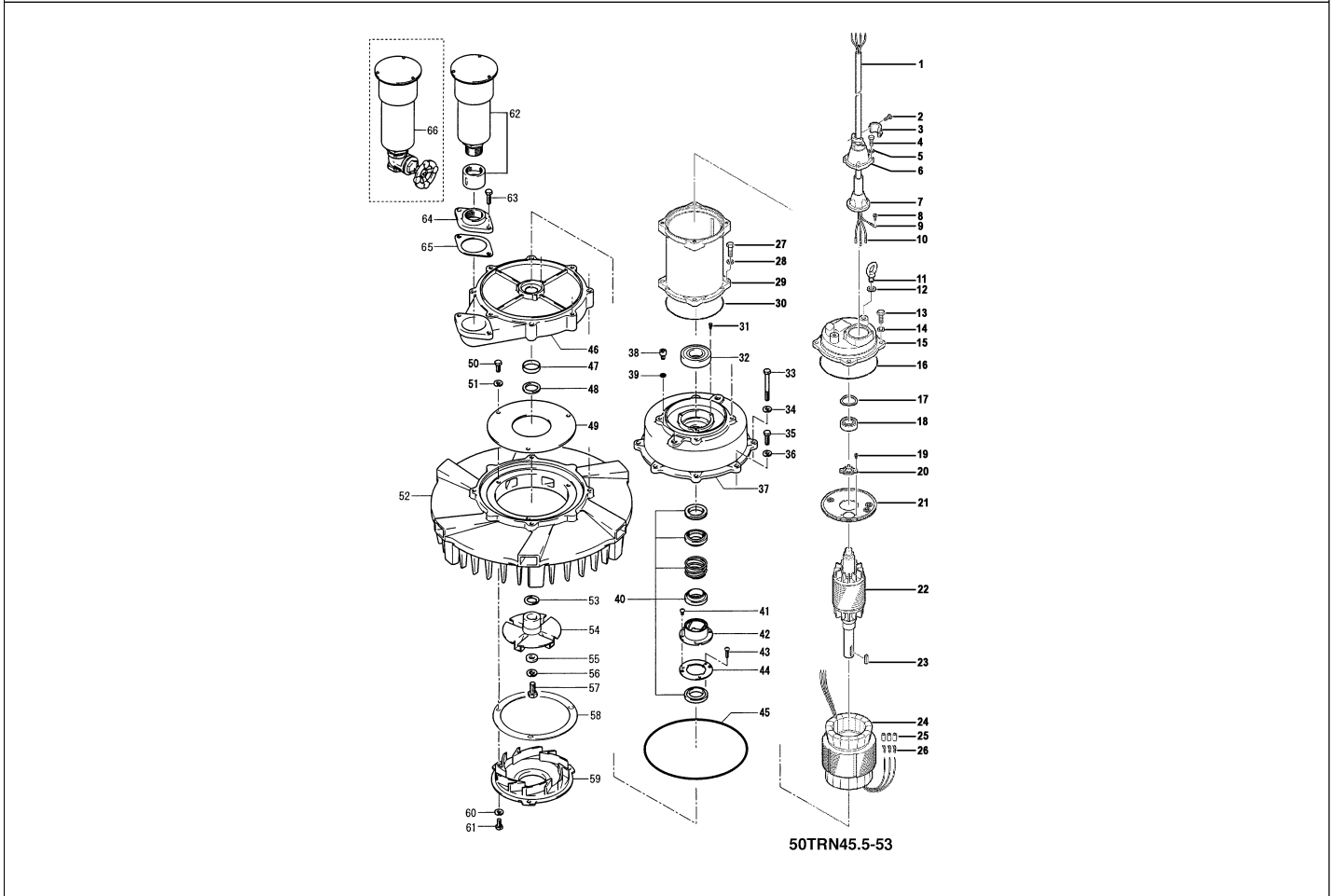


50TRN45.5-53

Kontroll-Nr. --

2024-02-26 V.01.02.2023

Pos.no	Item no.	Description	Qty.	UP / EUR
--------	----------	-------------	------	----------



1.1.1	173-003-64	Packing & O-Ring Set	1	
1	001-TEG-09	Cabletyre Cable Set (20m) H07RN-F4Cx2,5mm ² without stuffing box	1	
1	M01-TEG-09	Cabletyre Cable Set (20m) NSSHÖU 4Cx2,5mm ²	1	
2	140-035-14	Hex.Bolt M6x20 SUS304 (EN X5CrNi18-10) Stainless	2	
3	070-107-18	Cable Clamp FC	1	
4	140-056-11	Hex.Bolt M8x30 SUS304 (EN X5CrNi18-10) Stainless	4	
5	142-163-18	Spring Washer M8 SUS304	4	
6	006-126-14	Stuffing Box No.2 FC	1	
7	008-142-12	Mould Cover	1	
8	143-085-21	Pan Screw (w/Spring Washer) M4x6 SWRM	1	
9	009-122-19	Terminal R-3.5-4 CU	1	
10	009-275-18	Compression type Terminal TGNB-5.5(Insulated) CU	3	
11	072-102-22	Eyebolt M12	2	
12	142-397-13	Washer d13xd24x0.1t SUS304 (EN X5CrNi18-10) Stainless Steel	1	
12	142-398-14	Washer d13xd24x0.3t SUS304 (EN X5CrNi18-10) Stainless Steel	1	
13	140-078-19	Hex.Bolt M10x30 SUS304	4	
14	142-164-19	Spring Washer M10 SUS304	4	
15	050-000-41	Motor Bracket FC200	1	
16	122-151-11	O-Ring G-205 (NBR)	1	
17	142-197-11	Wave Washer #6305 SK-5	1	
18	052-000-21	Bearing AC-6305ZZC3	1	Price on req.
19	143-126-25	Pan Screw (w/Spring Washer/Plain Washer) M4x12 SWRM	2	
20	053-001-63	Motor Protector 380/400/415V-50Hz KA314-HRXL00 (H.C)	1	
21	058-184-11	Lead Wire Protection Plate d90xd224x1.6t SPHC	2	
22	055-000-01	Rotor	1	
23	147-163-13	Impeller Key 10x8x32L SUS420 (EN X20Cr13) Stainless Steel	1	
24	056-000-01	Stator 380/400/415V-50Hz	1	
25	002-000-02	Protection Tube NFG-1A,d7 (V/m)	1	
26	009-000-31	Terminal R-5.5-54 CU	3	
27	140-079-10	Hex.Bolt M10x40 SUS304 (EN X5Cr18-10)	4	
28	142-164-19	Spring Washer M10 SUS304	4	
29	064-000-51	Motor Frame ADC	1	
30	122-151-11	O-Ring G-205 (NBR)	1	
31	140-000-06	Hex.Bolt (w/Spring Washer/Plain Washer) M6x12 SWCH	3	
32	052-001-08	Bearing 6309ZZC3	1	
33	140-112-16	Hex.Bolt M12x110 SUS304 (EN X5CrNi18-10) Stainless Steel	4	
34	142-165-10	Spring Washer M12 SUS304 (EN X5CrNi18-10) Stainless Steel	4	Price on req.
35	140-099-16	Hex.Bolt M12x40 SUS304	4	
36	142-165-10	Spring Washer M12 SUS304 (EN X5CrNi18-10) Stainless Steel	4	Price on req.
37	060-000-01	Bearing Housing ADC	1	

50TRN45.5-53

Kontroll-Nr. --

2024-02-26 V.01.02.2023

Pos.no	Item no.	Description	Qty.	UP / EUR
38	035-113-18	Oil Plug M12x14 SUS304 (EN X5CrNi18-10) Stainless Steel	2	Price on req.
39	121-247-12	Packing d12.3xd18x2t PE	2	
40	025-000-61	Mechanical Seal H-40X(E) SiC	1	
41	143-070-23	Pan Screw M5x6 SWRM	2	
42	030-141-10	Oil Lifter H-40(T) Resin	1	
43	143-070-23	Pan Screw M5x6 SWRM	3	
44	030-149-18	Seal Stopper H-40/45 SPCC	1	
45	122-265-19	O-Ring (Brg.Housing/O.Casing) 335xø5.7 NBR	1	
46	018-104-13	Air Passage 37/110-TR FC	1	
47	026-200-28	Distance Piece 37/110-TR Stainless Steel	1	
48	026-205-10	Oil Seal VC-40586 NBR	1	
49	028-000-30	Middle Plate50TRN45.5 EN X10Cr13	1	
50	140-096-13	Hex.Bolt M12x25 SUS304	3	
51	142-165-10	Spring Washer M12 SUS304 (EN X5CrNi18-10) Stainless Steel	3	Price on req.
52	019-000-16	Guide Vane 50TRN42.2/5.5 FC	1	
53	040-113-14	Impeller Shim d32.5xd48x0.3t SUS304 (EN X5CrNi18-10)	1	
54	021-007-13	Impeller(50Hz)50TRN45.5-52 DIN GX12Cr14	1	
55	142-103-10	Impeller Fixing Washer d18xd38x6t SUS403 (EN X5CrNi18-10) Stainless Steel	1	
56	142-166-11	Spring Washer M16 SUS304	1	
57	140-125-12	Hex.Bolt M16x45 SUS304	1	
58	120-000-17	Packing 50TRN42.2/5.5(d245xd296)PE	1	
59	022-001-54	Suction Cover (50Hz)50TRN45.5-52 DIN GX12Cr14	1	
60	142-165-10	Spring Washer M12 SUS304 (EN X5CrNi18-10) Stainless Steel	3	Price on req.
61	140-096-13	Hex.Bolt M12x25 SUS304	3	
62	215-000-07	Silencer Socket Set TRN42.2/3.7/5.5-52/62	1	
63	140-099-16	Hex.Bolt M12x40 SUS304	2	
64	048-104-16	Screwed Flange 50mm(P.C.140) FC	1	
65	121-137-18	Packing (Screwed Flange) MBT(P.C.140) NBR	1	
66	215-106-12	Silencer & Valve Set 22/55-TR Type(PF-2)	1	
	173-003-64	Packing & O-Ring Set	1	
	##oilVG32	ml Turbine Oil ISO VG32	6000	Price on req.
	095-206-15	Chain 9mm(7L) EN X5CrNi18-10	1	
	011-133-10	Shackle 10mm EN X5CrNi18-10	3	
	095-176-15	Chain 9mmx5m SUS304 (EN X5CrNi18-10) Stainless Steel	1	