

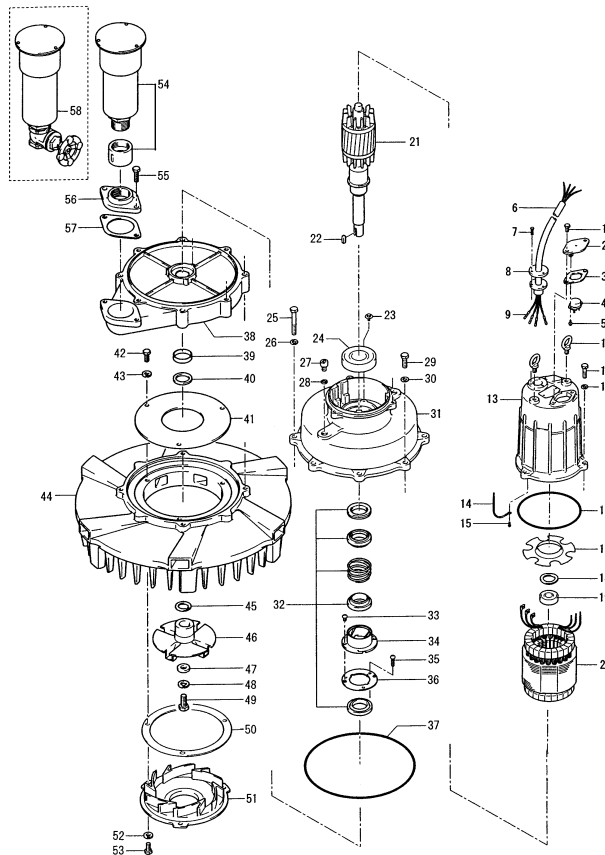
50TRN43.7-52

Kontroll-Nr. --

2024-02-26 V.01.02.2023

Pos.no	Item no.	Description	Qty.	UP / EUR
--------	----------	-------------	------	----------

50TRN43.7-52


50TRN43.7-52

1.1.1	173-000-67	Packing & O-Ring Set	1	
1	140-052-17	Hex.Bolt M8x16 SUS304	2	
2	127-000-16	Protector Fixing Plate SUS304 (EN X5Cr18-10)	1	
3	121-000-23	Packing (Protector Fixing Plate) NBR	1	
4	053-420-17	Motor Protector 400/415V-50HZ KA313-GCXL103 (T.C)	1	
5	143-126-12	Pan Screw (w/Spring Washer/Plain Washer) M4x12 SWRM	2	
6	001-004-95	Cabletyre Cable Set (10m) 380/400/415V-50HZ(EUR) H07RNF4Cx1.5mm2 BE(40)	1	
7	140-021-17	Hex.Bolt M5x20 SUS304 (EN X5CrNi18-10)	3	
8	003-000-13	GlandBECE(P.C.40) EN X5CrNi18-10	1	
9	009-275-18	Compression type Terminal TGNB-5.5(Insulated) CU	4	
10	072-102-22	Eyebolt M12	2	
11	140-057-12	Hex.Bolt M8x30 SUS304 (EN X5CrNi18-10) Stainless Steel	3	
12	142-163-21	Spring Washer M8 SUS316 (DIN 1.4401) Stainless Steel	3	
13	064-000-46	Motor Frame FC	1	
14	009-293-12	Earth Terminal 2mm2x180l	1	
15	143-085-21	Pan Screw (w/Spring Washer) M4x6 SWRM	1	
16	122-333-19	O-Ring 170xd3.1 NBR	1	
17	058-000-04	Lead Wire Protection Plate d66xd150x1.5t Bakelite	1	
18	142-196-10	Wave Washer 6205/6304 SK5	1	
19	052-188-17	Bearing (w/O-ring) AC-6304ZZC3	1	
20	056-001-45	Stator 380/400/415V-50HZ	1	
21	055-000-77	Rotor	1	
22	147-081-16	Impeller Key 7x7x22L SUS420 (EN X30Cr13)	1	
23	140-000-06	Hex.Bolt (w/Spring Washer/Plain Washer) M6x12 SWCH	3	
24	052-001-08	Bearing 6309ZZC3	1	
25	140-112-16	Hex.Bolt M12x110 SUS304 (EN X5CrNi18-10) Stainless Steel	4	
26	142-165-10	Spring Washer M12 SUS304 (EN X5CrNi18-10) Stainless Steel	4	Price on req.
27	035-113-18	Oil Plug M12x14 SUS304 (EN X5CrNi18-10) Stainless Steel	2	Price on req.
28	121-247-12	Packing d12.3xd18x2t PE	2	
29	140-099-16	Hex.Bolt M12x40 SUS304	4	
30	142-165-10	Spring Washer M12 SUS304 (EN X5CrNi18-10) Stainless Steel	4	Price on req.
31	060-000-45	Bearing Housing FC	1	
32	025-001-02	Mechanical Seal H-30(T) SIC	1	
33	143-070-23	Pan Screw M5x6 SWRM	2	
34	030-142-11	Oil Lifter H-30(A)(T) Resin	1	
35	143-070-23	Pan Screw M5x6 SWRM	3	
36	030-151-13	Seal Stopper H-30(A)(T) SPCC	1	
37	122-265-19	O-Ring (Brg.Housing/O.Casina) 335xd5.7 NBR	1	
38	018-103-12	Air Passage 22-TR FC	1	
39	026-199-23	Distance Piece 22-TR SGP	1	

50TRN43.7-52

Kontroll-Nr. --

2024-02-26 V.01.02.2023

Pos.no	Item no.	Description	Qty.	UP / EUR
40	026-000-09	Oil Seal VC-30486 NBR	1	
41	028-000-29	Middle Plate(50Hz)50TRN43.7-52 EN X10Cr13	1	
42	140-096-13	Hex.Bolt M12x25 SUS304	3	
43	142-165-10	Spring Washer M12 SUS304 (EN X5CrNi18-10) Stainless Steel	3	Price on req.
44	019-000-16	Guide Vane 50TRN42.2/5.5 FC	1	
45	040-107-28	Impeller Shim d25.2xd38x0.3t SUS304	1	
46	021-007-11	Impeller (50Hz)50TRN43.7-52 DIN GX12Cr14	1	
47	142-102-19	Impeller Fixing Washer d14xd34x5t SUS403 (EN X5CrNi18-10) Stainless Steel	1	
48	142-165-10	Spring Washer M12 SUS304 (EN X5CrNi18-10) Stainless Steel	1	Price on req.
49	140-097-14	Hex.Bolt M12x30 SUS304	1	
50	120-000-17	Packing 50TRN42.2/5.5(d245xd296)PE	1	
51	022-001-52	Suction Cover (50Hz)50TRN43.7-52 DIN GX12Cr14	1	
52	142-165-10	Spring Washer M12 SUS304 (EN X5CrNi18-10) Stainless Steel	1	Price on req.
53	140-096-13	Hex.Bolt M12x25 SUS304	3	
54	215-000-07	Silencer Socket Set TRN42.2/3.7/5.5-52/62	1	
55	140-099-16	Hex.Bolt M12x40 SUS304	2	
56	048-104-16	Screwed Flange 50mm(P.C.140) FC	1	
57	121-137-18	Packing (Screwed Flange) MBT(P.C.140) NBR	1	
58	215-106-12	Silencer & Valve Set 22/55-TR Type(PF-2)	1	
	##oilVG32	ml Turbine Oil ISO VG32	5100	Price on req.
	095-176-28	Chain 9mmx5m SS	1	
	011-103-11	Shackle 12mm(SC) SS	1	
	095-249-10	Chain 9mmx13L SS	1	
	011-102-10	Shackle 9mm SS	2	
	215-106-12	Silencer & Valve Set 22/55-TR Type(PF-2)	1	
	173-000-67	Packing & O-Ring Set	1	