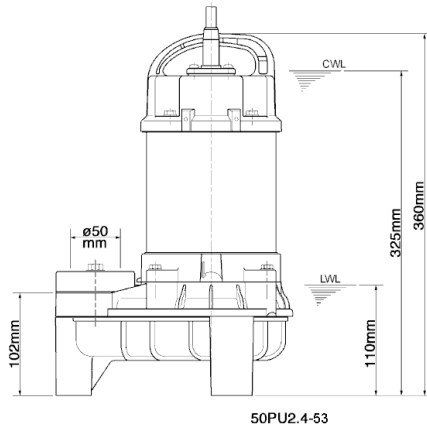
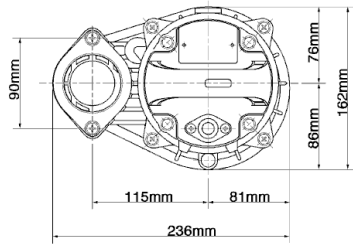
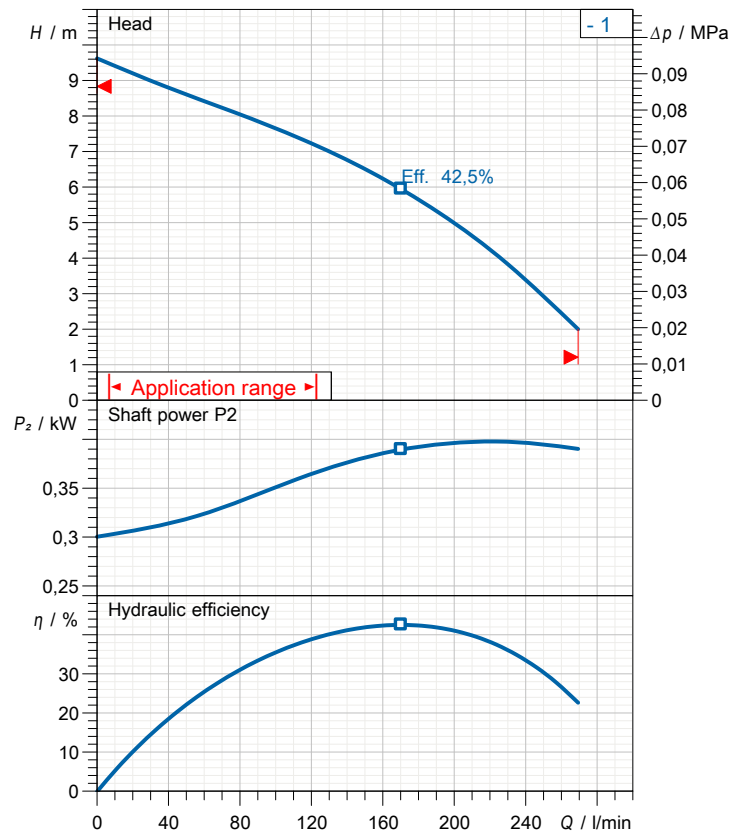


Data sheet 50PU2.4-53



50PU2.4-53

CWL: Continuous running water level
LWL: Lowest running water level



Specification

Elektrische Tauchpumpe PU-Serie
 Degree of protection IP 68
 Pressure resistance max. 10 m
 Type of impeller Vortex impeller
 Free passage 35 mm
 Suitable for:
 sewage water, waste water, various waste water

Electric motor

Dry-type submersible induction motor
 Insulation class E 2Poles 2833 1/min
 Starting mode Direct starting
 Rated voltage 400 V 50 Hz 3~
 Power uptake 0,68 kW
 Rated power 0,40 kW
 Rated current 1,15 A
 Start current 4,6 A

Cable

10m H07RN-F 4Cx1,5mm²

Motor Protection

Circle thermal protector
 (snap-action bi-metal device)

Shaft seal

Double inside mechanical seal in oil bath
 additional lubrication by oil lifting device
 Primary seal
 Silicon carbide on ceramic
 Secondary seal
 Ceramic on carbon

Bearings

Shielded ball bearings, maintenance-free

Materials

Impeller	PPO-GF20
Pump casing	ABS-GF20
Motor Frame	SUS304 (EN-X5CrNi18-10)
Shaft	SUS304 (EN-X5CrNi18-10)

Discharge size

50mm screwed-in mating flange

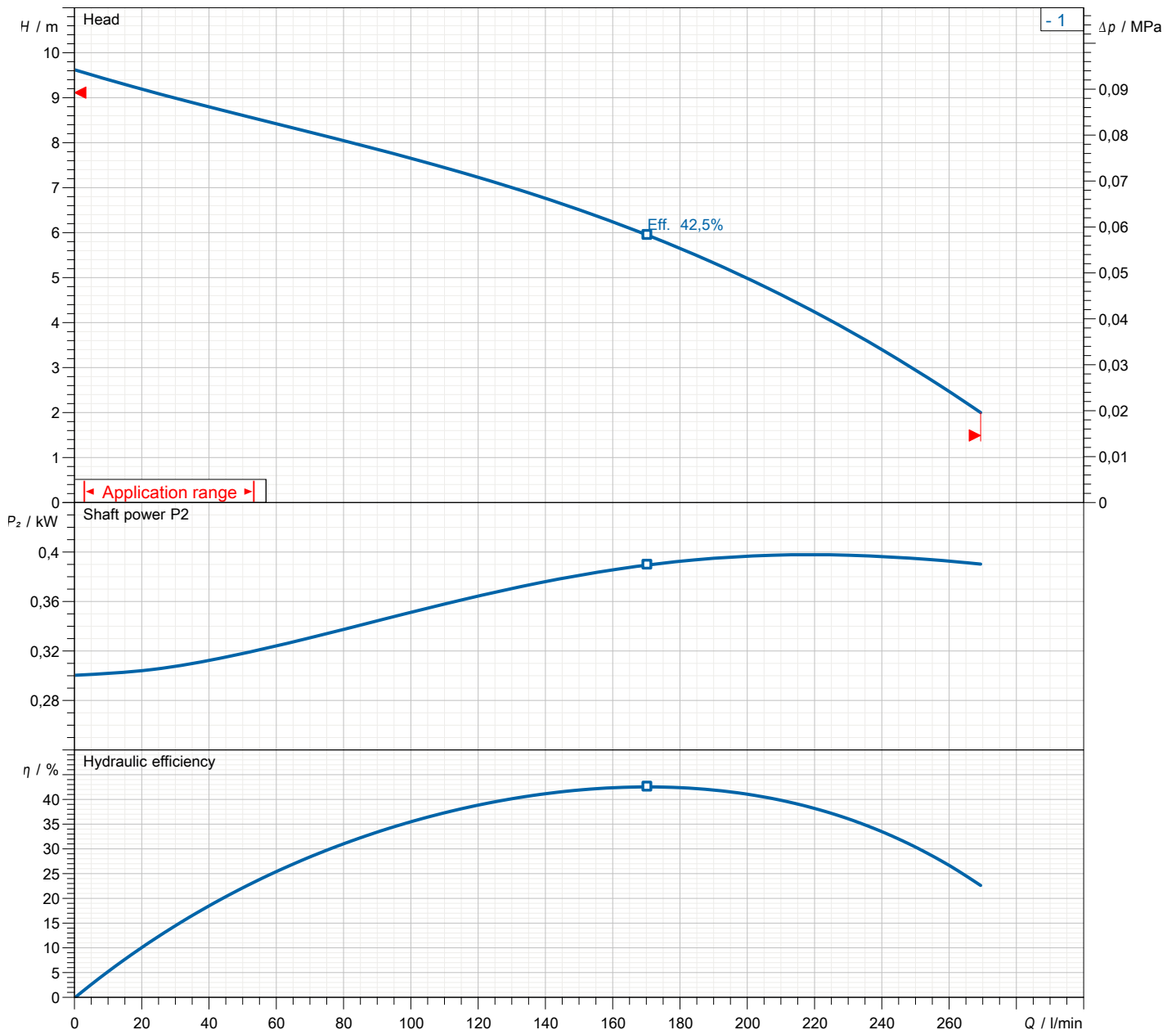
Weight

7 kg (dry weight of the pump only without cable)

Performance curve

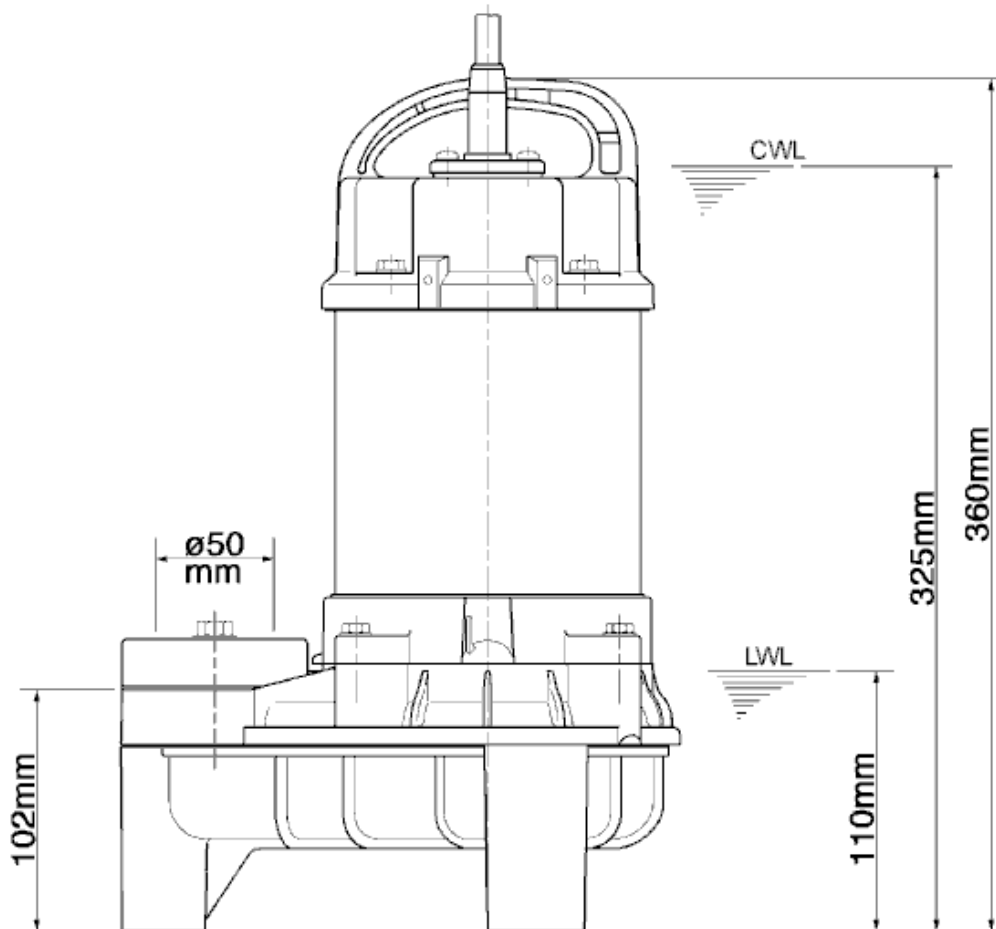
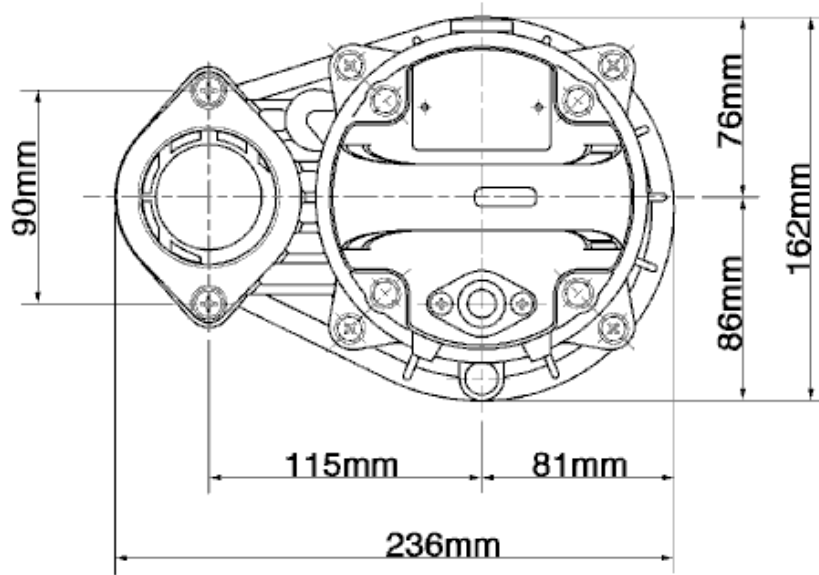
50PU2.4-53

Discharge port	2"
FördH	9,6 m
Flow	269,4 l/min
Rated power	0,40 kW
Power input	0,68 kW
Phases	3~
Voltages	400 V
Frequency	50 Hz
Rated current	1,15 A
Starting current	4,60 A
Number of poles	2
Speed	2833 1/min
Starting mode	Direct starting
Insulation class	E



Dimensions

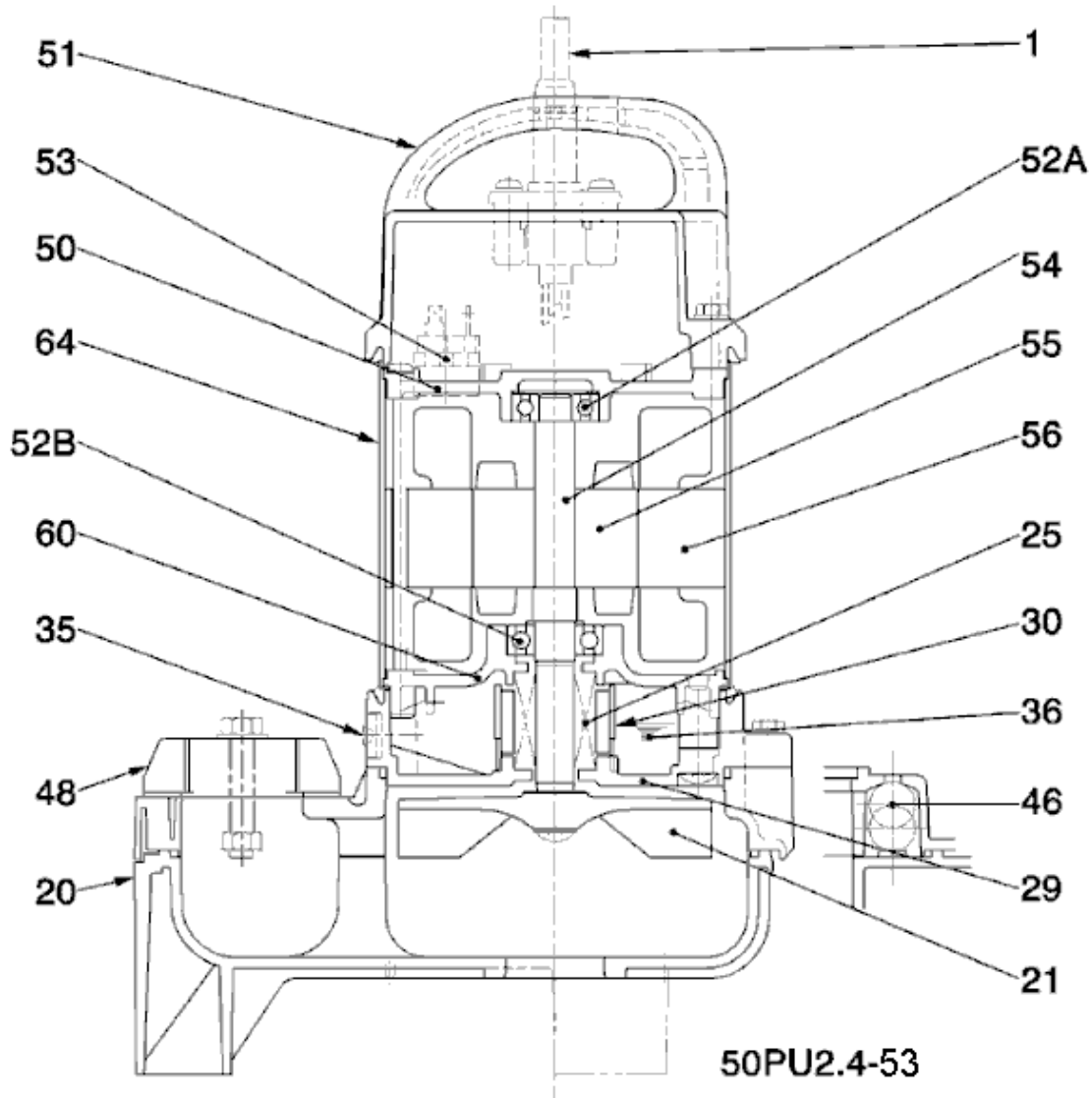
50PU2.4-53



50PU2.4-53

CWL: Continuous running water level
LWL: Lowest running water level

Sectional drawing 50PU2.4-53



No.	Description	Remark	No.	Description	Remark
1	Cable	H07RN-F	55	Rotor	.
20	Pump casing	ABS-GF20	56	Stator	.
21	Impeller	PPO-GF20	60	Bearing Housing	Aluminium die casting
25	Mechanical seal	W-14HL	64	Motor Frame	SUS304 (EN-X5CrNi18-10)
29	Oil casing	PPS-(GF+MD)50			
30	Oil distributor	Plastic			
35	Oil screw	SUS304 (EN-X5CrNi18-10)			
36	Lubricant	white oil (ISO VG32)			
46	Air vent valve	Glass bead			
48	Screwed Flange	PC(PBT-GF30)			
50	Motor cover	Steel plate			
51	Main cover	PPS-GF40			
52A	Upper bearing	6201ZZC3			
52B	Lower bearing	6202ZZC3			
53	Motor Protector 380/400/415V-50Hz	KA314-HRXL00 (H.C)			
54	Shaft	SUS304 (EN-X5CrNi18-10)			