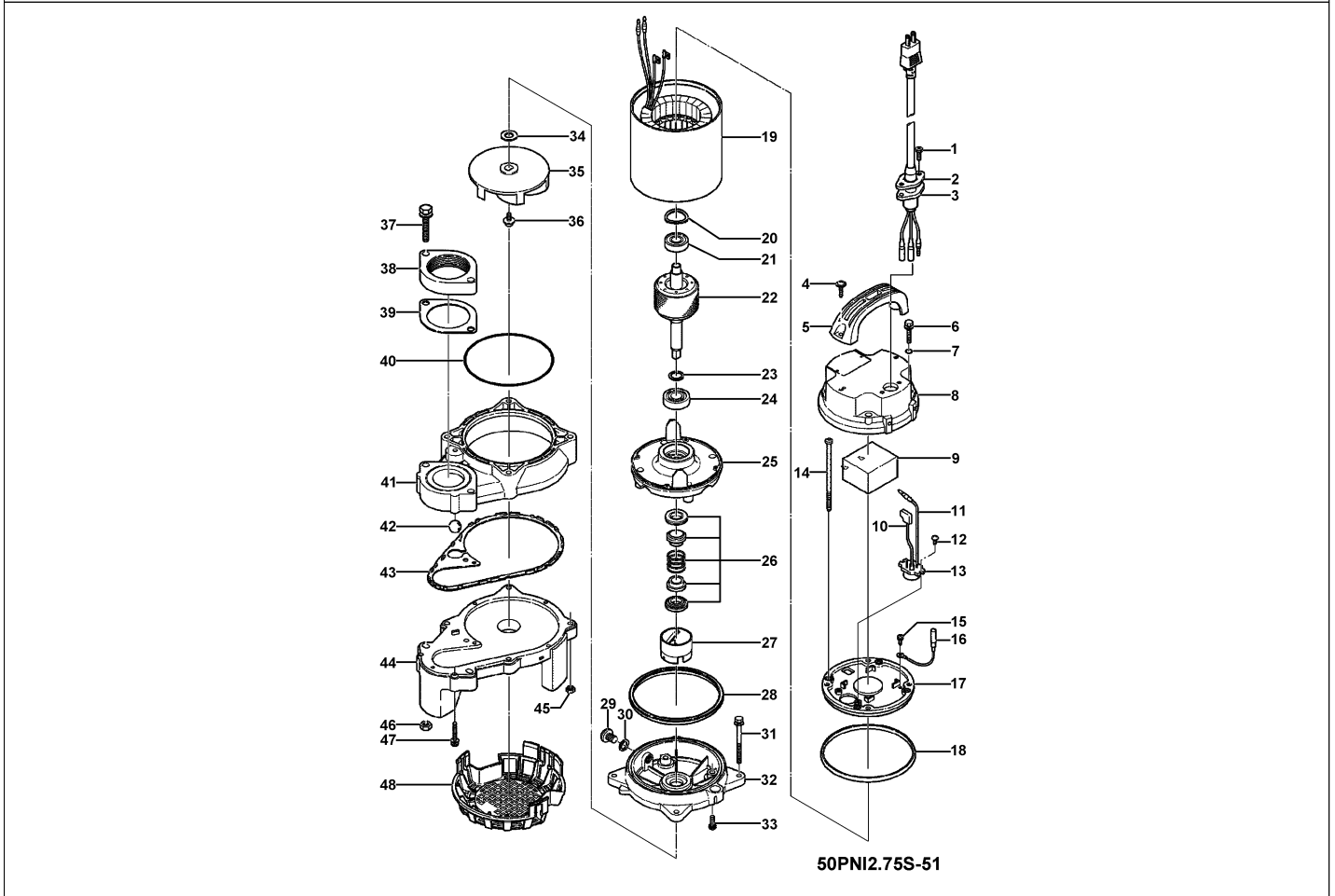


50PNI2.75S-51

2023-01-23

Pos.no	Item no.	Description	Qty.
--------	----------	-------------	------



Pos.no	Item no.	Description	Qty.
1.1.1	173-003-48	Packing & O-Ring Set	1
1	143-000-33	Hex.Tapping Screw M5x20 EN X5CrNi18-10	2
2	003-190-10	Gland SUS316 (EN X5Cr-Ni-Mo17-12-2)	1
3	001-010-05_	Cabletyre Cable Set (10m) 220/230/240V-50HZ(EUR) H07R-F3Cx1mm2 LBD(HAR)	1
3	106-TEG-04	Float Switch (Mouse) for PNI-series	1
4	143-000-63	Tapping Screw (w/Plain Washer) M5x25 SUS304 (EN X5CrNi18-10)	2
5	068-000-45	Handle VANCS400/750W Resin	1
6	140-000-07	Hex.Bolt (w/Plain Washer) M6x30(22L) SUS304 (EN X5CrNi18-10) Stainless Steel	4
7	122-004-18	O-Ring P-6 NBR	4
8	051-000-57	Motor Head Cover Resin	1
9	076-000-57	Capacitor 450VAC-15MF(2)	1
	200-162-10	Double-Sided Tape 50x20x2T PE	1
10	009-001-66	Intermediate Lead Wire UL1015-AWG16x60(Indigo)	1
11	009-001-65	Intermediate Lead Wire UL1015-AWG16x160(Red)	1
12	143-000-43	Truss Screw M4x8 SWRM	2
13	053-002-17	Motor Protector 220/230/240V-50Hz KA142-BPTL06F (T.C)	1
14	143-000-44	pan Screw (w/Spring Washer) M4x5 brass C3604 (EN CuZn39Pb3)	1
15	009-001-64	Earth Terminal UL1015-AWG18,G/Y,L=115	1
16	143-000-68	pan Screw M5x138L(30L) SWRM	4
17	050-000-02	Motor Bracket ADC	1
18	121-001-69	packing d126.6xd135.6x6t(60) NBR	1
19	056-008-98	stator(w/M.Frame) 220/230/240V-50Hz	1
	056-008-98	stator(w/M.Frame) 220/230/240V-50Hz	1
	181-000-10	Cable Tie CV-100 Nylon	1
20	142-000-41	Wave Washer #6201(T=0.4) (S65CM)	1
21	052-100-15	Bearing 6201ZZC3	1
22	055-003-17	Rotor	1
23	061-180-17	Bearing Collar d15.1xd20x1.6t SS	1
24	052-001-06	Bearing 6302ZZC3	1
25	060-001-81	Bearing Housing ADC	1
26	025-000-59	Mechanical Seal W-14HCA SSIC	1
27	030-000-12	Oil Lifter W-14HL Resin	1
28	121-001-12	packing For VANCS2 NBR	1
29	035-127-15	Oil Plug M10x15 SUS304 (EN X5CrNi18-10) Stainless Steel	1
30	121-246-11	packing (Oil Plug) d10.3xd16x2t PE	1
31	140-000-92	Hex.Bolt (w/Plain Washer) M6x70 SUS304 (EN X5CrNi18-10)	4
32	029-001-00	Oil Casing VANCS400/750W Resin	1
33	143-000-26	Truss Screw (w/O-Ring) M6x20(P-5,NBR) SUS304 (EN X5CrNi18-10) Stainless Steel	4
34	142-354-18	Conical Spring Washer d11.2xd22.5x0.8t SUS304 (EN X5CrNi18-10) Stainless Steel	1
35	021-009-75	Impeller (50Hz) 50PNI2.75S-51 Resin	1

50PNI2.75S-51

Kontroll-Nr. --

2023-01-23 V.01.02.2022

Pos.no	Item no.	Description	Qty.
36	143-140-12	Truss Screw (w/Plain Washer) M6x12 SUS304 (EN X5CrNi18-10) Stainless Steel	1
37	140-000-93	Hex.Bolt (w/Plain Washer) M8x50 SUS304 (EN X5CrNi18-10)	2
38	048-000-07	Screwed Flange 50mm(P.C.90)For Stainless Steel Pump (Resin)	1
39	121-469-12	Packing d90xd58x2t NR	1
40	122-000-07	O-Ring 122xd3.0 NBR	1
41	020-003-06	Pump Casing (Upper) VANCS400/750W Resin	1
42	203-065-11	Valve d17 Glass	1
43	121-001-60	Packing VANCS400/750W NBR	1
44	020-003-07	Pump Casing (Lower) VANCS400/750W Resin	1
45	141-000-20	Hex.Nut M6(2) SUS304 (EN X5CrNi18-10)	4
46	141-121-11	Hex.Nut M8(B=12) SUS304 (EN X5CrNi18-10) Stainless Steel	2
47	143-000-17	Tapping Screw (w/Plain Washer) M5x35 SUS304 (EN X5CrNi18-10)	3
48	023-001-68	Strainer 50PNI2.4/.75(S)-51/61 Resin	1
	173-003-48	Packing & O-Ring Set	1
	##whiteoilVG32	ml White Oil ISO VG32	240
	106-TEG-04	Float Switch (Mouse) for PNI-series	1