

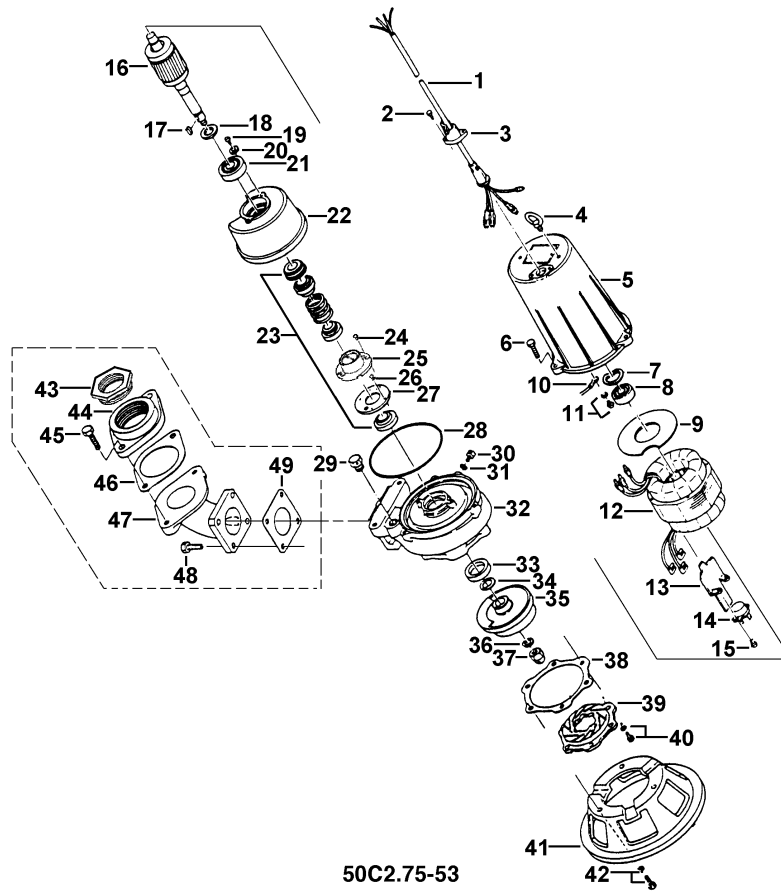
50C2.75-53

Kontroll-Nr. --

2024-02-22 V.01.02.2023

Pos.no	Item no.	Description	Qty.	UP / EUR
--------	----------	-------------	------	----------

50C2.75-53


50C2.75-53

1.1.1	173-336-10	Packing & O-Ring Set	1	
1	001-TEG-31	Cabletyre Cable Set (20m) H07RN-F4Cx1,5mm ² with gland	1	
1	M01-TEG-31	Cabletyre Cable Set (20m) NSSHÖU 4Cx1,5mm ²	1	
	061-TEG-06	Cable Repair Kit	1	
2	140-427-17	Hex.Bolt (w/Plain Washer) M5x15 SUS304 (EN X5CrNi18-10)	2	
3	003-190-10	Gland SUS316 (EN X5Cr-Ni-Mo17-12-2)	1	
4	072-105-25	Eye Bolt M8 SUS304 (EN X5CrNi18-10) Stainless Steel	2	
5	064-000-64	Motor Frame FC	1	
6	140-057-12	Hex.Bolt M8x30 SUS304 (EN X5CrNi18-10) Stainless Steel	3	
7	142-194-18	Wave Washer #6203 SK-5	1	
8	052-186-15	Bearing AC-6203ZZC3	1	
9	058-000-34	Lead Wire Protection Plate d52xd115x1t Bakelite	1	
10	009-112-16	Earth Terminal 1.25mm ²	1	
11	143-085-34	Pan Screw (w/Spring Washer) M4x6 C3604 (EN CuZn39Pb3)	1	
12	056-003-31	Stator 380/400/415V-50HZ	1	
13	127-000-32	Protector Fixing Plate P.C.39.5x117L SECC	1	
14	053-465-14	Motor Protector 380/400/415V-50HZ KA311-DPXL62C (T.C)	1	
15	143-126-12	Pan Screw (w/Spring Washer/Plain Washer) M4x12 SWRM	2	
16	055-001-18	Rotor w/Bearing SUS403 (EN X6Cr13) Stainless Steel	1	
17	147-038-18	Impeller Key 5x5x15.5l Stainless Steel	1	
18	061-000-03	Bearing Collar d20xd30x4.5t FC	1	Price on req.
19	140-000-23	Hex.Bolt (w/Spring Washer) M5x10 SWRM	2	
20	062-187-17	Bearing Fixing Washer d5.5xd18x2.3t SPC	2	
21	052-107-12	Bearing 6304ZZC3	1	
22	060-000-64	Bearing Housing FC	1	
23	025-001-04	Mechanical Seal H-20A SiC+CCBN	1	
24	143-070-23	Pan Screw M5x6 SWRM	2	
25	030-144-13	Oil Lifter H-20(A)(T) Resin	1	
26	143-070-23	Pan Screw M5x6 SWRM	2	
27	030-153-15	Seal Stopper For H-20(A) SPCC	1	
28	122-072-17	O-Ring P-140 NBR	1	
29	046-107-13	Air Release Valve PT-1/2 Nylon	1	
30	035-112-17	Oil Plug M8x12 SUS304 (EN X5CrNi18-10) Stainless Steel	1	
31	121-248-13	Packing d8.2xd13.5x2t PE	1	
32	020-610-14	Pump Casing 8-BE2 FC	1	
33	026-107-11	Oil Seal DD-32488 (NBR)	1	
34	040-104-25	Impeller Shim d18.2xd29x0.3t SUS304 (EN X5CrNi18-10) Stainless Steel	1	
35	021-732-16	Impeller (50HZ) 50C2.75-53 FC	1	
36	142-165-10	Spring Washer M12 SUS304 (EN X5CrNi18-10) Stainless Steel	1	Price on req.
37	141-118-15	Hex.Cap Nut M12(H=15.5) SUS304 (EN X5CrNi18-10) Stainless Steel	1	

50C2.75-53

Kontroll-Nr. --

2024-02-22 V.01.02.2023

Pos.no	Item no.	Description	Qty.	UP / EUR
38	120-145-16	Packing (S.Cover) d112xd129x0.3t PE	1	
39	022-570-17	Suction Cover 8-CE2 FCD	1	
40	140-475-10	Hex.Bolt (w/Spring Washer) M8x16SUS304 (EN X5CrNi18-10) Stainless Steel	3	
41	023-001-25	Strainer Stand No.1 FCD	1	
42	140-476-11	Hex.Bolt (w/Spring Washer) M8x25 SUS304 (EN X5Cr18-10)	3	
43	032-202-16	Screwed Bush 65x50 Resin	1	Price on req.
44	048-104-16	Screwed Flange 50mm(P.C.140) FC	1	
44	048-105-17	Screwed Flange 65mm(P.C.140) FC	1	
45	140-099-16	Hex.Bolt M12x40 SUS304	2	
46	121-137-18	Packing (Screwed Flange) MBT(P.C.140) NBR	1	
47	037-117-18	Discharge Bend 50mm(122-16) FC	1	
48	140-078-19	Hex.Bolt M10x30 SUS304	4	
49	121-142-16	Packing (Discharge Bend) 90mm2(P.C.98) NBR	1	
	173-336-10	Packing & O-Ring Set	1	
	##oilVG32	ml Turbine Oil ISO VG32	420	Price on req.