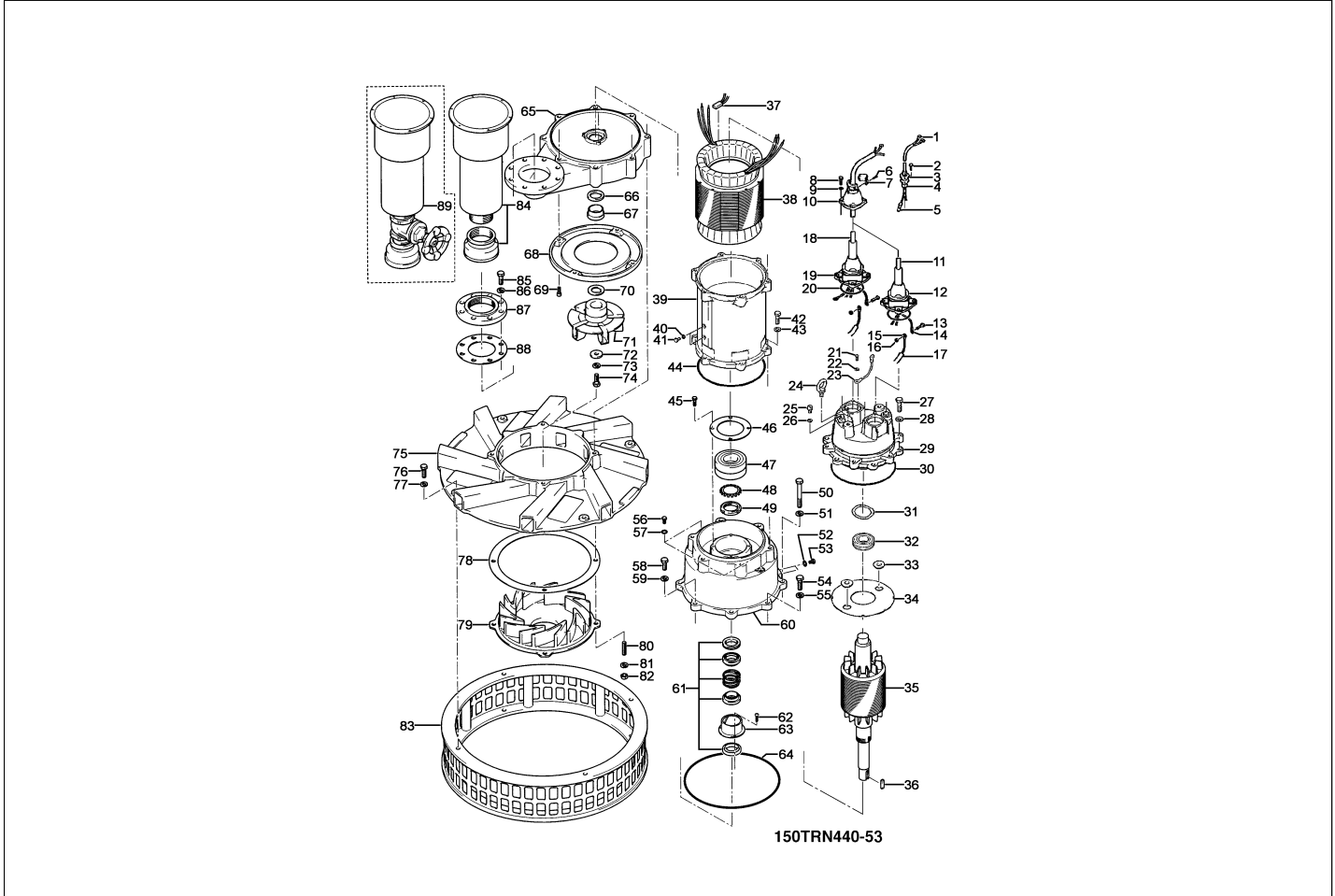


**150TRN440-53**

Kontroll-Nr. --

2024-04-03 V.01.02.2023

Pos.no	Item no.	Description	Qty.	UP / EUR
--------	----------	-------------	------	----------



1.1.1	173-002-81	Packing & O-Ring Set	1	
1	009-127-14	Terminal R-1.25-4 CU	2	
2	140-427-17	Hex.Bolt (w/Plain Washer) M5x15 SUS304 (EN X5CrNi18-10)	2	
3	003-190-10	Gland SUS316 (EN X5Cr-Ni-Mo17-12-2)	1	
4	T01-TEG-96	Cabtyre Cable Set (20m) H07RN-F 3Cx1,5mm2	1	
4	001-448-36	Cabtyre Cable Set 2PNC2Cx1,25mm <sup>2</sup> (LB)	1	
4	001-448-52	Cabtyre Cable Set (20m)380/400/415V-50Hz 2PNC2Cx1.25mm2 LB	1	
5	009-104-15	Solderless Terminal TMVB-1.25 CU	2	
6	140-035-14	Hex.Bolt M6x20 SUS304 (EN X5CrNi18-10) Stainless	4	
7	070-107-18	Cable Clamp FC	2	
8	140-078-19	Hex.Bolt M10x30 SUS304	8	
9	142-164-19	Spring Washer M10 SUS304	8	
10	006-126-14	Stuffing Box No.2 FC	2	
11	M01-TEG-36	Cabtyre Cable Set (20m) NSSHÖU 4Cx10mm <sup>2</sup>	1	
11	001-008-80	Cabtyre Cable Set (10m)380/400/415V-50Hz NSSHOEU-J 4Gx10mm2/non-E	1	
11	001-008-81	Cabtyre Cable Set (20m)380/400/415V-50Hz NSSHOEU-J 4Gx10mm2/non-E	1	
12	008-141-11	Mould Cover KR2-6 CR	2	
13	140-029-28	Hex.Bolt M6x10 SWRM	7	Price on req.
14	009-106-17	Terminal(EUR,NSU) R-8-6 CU	7	
15	009-107-18	Terminal R-14-6 CU	6	
16	141-004-59	Hex.Nut M6 SWRM	7	
17	002-115-18	Heat Shrink Tube (Sold per meter) EVA(d16.5x1t) (Vm)	1	
17	002-116-19	Heat Shrink Tube (Sold per meter) A4(d20x0.35t) (Vm)	1	
18	M01-TEG-36	Cabtyre Cable Set (20m) NSSHÖU 4Cx10mm <sup>2</sup>	1	
18	001-008-77	Cabtyre Cable Set (10m)380/400/415V-50Hz NSSHOEU-J 4Gx10mm2	1	
18	001-009-15	Cabtyre Cable Set (20m)380/400/415V-50Hz NSSHOEU-J 4Gx10mm2	1	
19	042-000-02	Stuffing Box Plate	2	
20	122-132-16	O-Ring (S.Box) G-105(104.4xd3.1) NBR	1	
21	143-041-12	Pan Screw M6x8 SWRM	1	
22	142-162-33	Spring Washer M6 SWRH	1	
23	009-106-17	Terminal(EUR,NSU) R-8-6 CU	2	
24	072-103-23	Eye Bolt M24 SUS304 (EN X5CrNi18-10) Stainless Steel	2	
25	035-113-18	Oil Plug M12x14 SUS304 (EN X5CrNi18-10) Stainless Steel	1	Price on req.
26	121-247-12	Packing d12.3xd18x2t PE	1	
27	140-100-11	Hex.Bolt M12x45 SUS304 (EN X5CrNi18-10) Stainless Steel	6	Price on req.
28	142-165-10	Spring Washer M12 SUS304 (EN X5CrNi18-10) Stainless Steel	6	Price on req.
29	050-000-69	Motor Bracket FC	1	
30	122-353-15	O-Ring (M.Bracket/M.Frame) 310xd5.7 NBR	1	
31	142-000-73	Wave Washer 6310(d109xd92x7Hx1.2t) SK5	1	
32	052-000-50	Bearing (w/O-ring) AC-6310ZZC3	1	

**150TRN440-53**

Kontroll-Nr. --

2024-04-03 V.01.02.2023

Pos.no	Item no.	Description	Qty.	UP / EUR
33	016-000-04	Lead Wire Protection Bush d21xd52x11t SBR	2	
34	058-000-23	Lead Wire Protection Plate d120xd315x3t SPCC	1	
35	055-001-97	Rotor	1	Price on req.
36	147-000-38	Impeller Key 16x10x65L SUS420 (EN X20Cr13)	1	
37	053-001-67	Motor Protector YS11A135A-D20 (H)	3	
38	056-005-41	Stator 380/440/460V-60Hz	1	Price on req.
39	064-000-99	Motor Frame FC	1	
40	142-427-13	Seal Washer WD-12 SPC+NBR	2	
41	140-000-69	Hex.Bolt M12x25 SS	2	
42	140-128-15	Hex.Bolt M16x60 SUS304	6	
43	142-166-11	Spring Washer M16 SUS304	6	
44	122-308-15	O-Ring (M.Frame/Brg.Housing) 320xd5.7 NBR	1	
45	140-000-68	Hex.Bolt M8x20 SS	4	
46	062-000-14	Bearing Fixing Plate 6314(d130xd190x4.5t) SS	1	
47	052-145-12	Bearing 6314ZZD2C3	1	
48	142-247-17	Bearing Washer AW14 SPCC	1	
49	141-079-13	Bearing Nut AN14 SS	1	
50	140-000-40	Hex.Bolt M16x170 EN X5CrNi18-10	4	
51	142-166-11	Spring Washer M16 SUS304	4	
52	122-259-10	O-Ring 12xd3 NBR	2	
53	035-102-30	Oil Plug M12x16(B=21) SUS304	2	
54	140-126-13	Hex.Bolt M16x50 SUS304 (EN X5CrNi18-10) Stainless Steel	1	
55	142-166-11	Spring Washer M16 SUS304	1	
56	035-102-30	Oil Plug M12x16(B=21) SUS304	2	
57	122-259-10	O-Ring 12xd3 NBR	2	
58	140-129-16	Hex.Bolt M16x65 SUS304 (EN X5CrNi18-10) Stainless Steel	3	
59	142-166-11	Spring Washer M16 SUS304	3	
60	060-000-73	Bearing Housing FC	1	
61	025-00118		1	Price on req.
62	143-028-13	Pan Screw M5x10 SWRM	3	
63	030-134-10	Oil Lifter H-60 SPCC	1	
64	122-000-31	O-Ring 420xd5.7 NBR	1	
65	018-000-04	Air Pa SSage 300/370-TR2 FC	1	
66	026-000-14	Oil SealSC-709513 NBR	1	
67	071-000-05	Shaft SleeveBK/BG(22-45KW) EN X5CrNi18-10	1	
68	028-000-35	Middle Plate150TRN440-52/62 DIN GX12Cr14	1	
69	140-301-14	Hex. Socket Cap BoltM12x30 SUS304 (EN X5CrNi18-10) Stainless	4	
70	142-000-36	Impeller Fixing Washer 300/370-TR2 EN X5CrNi18-10	1	
71	021-007-37	Impeller (50Hz)150TRN440-52 DIN GX12Cr14	1	
71	021-007-40	Impeller (60Hz)150TRN440-62 DIN GX12Cr14	1	
72	040-000-08	Impeller Washer d58xd82 SUS304 (EN X5CrNi18-10)	1	
73	142-168-13	Spring Washer M20 SUS304	1	
74	140-000-39	Hex.Bolt M20x60 EN X5CrNi18-10	1	
75	019-000-15	Guide Vane 150TR437-52 FC	1	
76	142-166-11	Spring Washer M16 SUS304	4	
77	140-128-15	Hex.Bolt M16x60 SUS304	4	
78	120-000-16	Packing P.C485(d442xd525)PE	1	
79	022-001-63	Suction Cover (50Hz)150TRN437-52 DIN GX12Cr14	1	
79	022-001-64	Suction Cover (60Hz)150TRN437-62 DIN GX12Cr14	1	
80	144-432-17	Stud BoltM16x32(20/28) EN X5CrNi18-10	4	
81	142-166-11	Spring Washer M16 SUS304	4	
82	141-008-11	Hex.Nut M16 SUS304 (EN X5CrNi18-10)	4	
83	023-000-57	Strainer Stand300/370-TR SS	1	
84	215-000-10	Silencer Socket Set TRN437-52/62	1	
85	140-150-16	Hex.Bolt M20x60 SUS304 (EN X5CrNi18-10) Stainless Steel	8	
86	142-168-13	Spring Washer M20 SUS304	8	
87	048-111-16	Screwed Flange JIS10Kx150mm FC	1	
88	121-108-23	Packing JIS10Kx150mm NR	1	
89	215-109-15	Silencer & Valve Set 370-TR	1	
	173-002-81	Packing & O-Ring Set	1	
	##oilVG32	ml Turbine Oil ISO VG32	16000	Price on req.