

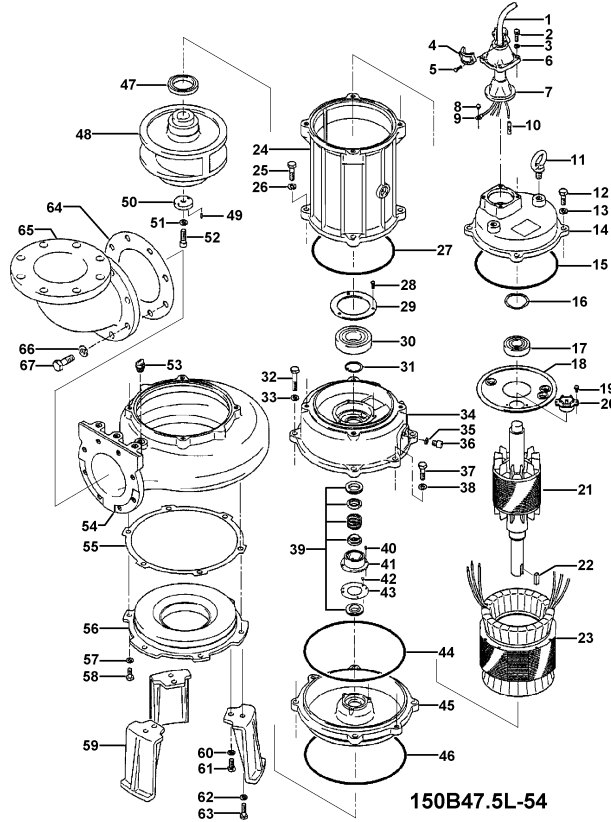
150B47.5L-54

Kontroll-Nr. --

2024-04-04 V.01.02.2023

Pos.no	Item no.	Description	Qty.	UP / EUR
--------	----------	-------------	------	----------

150B47.5L-54



1.1.1	173-001-16	Packing & O-Ring Set	1	
1	001-TEG-07	Cabletyre Cable Set (10m) H07RN-F4Cx4mm ² without stuffing box	1	
1	M01-TEG-07	Cabletyre Cable Set (10m) NSSHOU 4Cx4mm ²	1	
2	140-055-10	Hex.Bolt M8x25 SUS304	4	
3	142-163-21	Spring Washer M8 SUS316 (DIN 1.4401) Stainless Steel	4	
4	070-107-18	Cable Clamp FC	1	
5	140-035-27	Hex.Bolt M6x20 SUS304 (EN X5CrNi18-10) Stainless Steel	2	
6	006-126-14	Stuffing Box No.2 FC	1	
7	008-137-14	Mould Cover KR2-2 CR	1	
8	143-085-21	Pan Screw (w/Spring Washer) M4x6 SWRM	1	
9	009-130-10	Terminal R-5.5-4 CU	1	
10	009-276-19	Compression type Terminal 110V-50Hz(GBR) TMNB-5.5(Insulated) CU	3	
11	072-107-14	Eye Bolt M16 SS	2	
	142-399-15	Washer d17xd29x0.1t SUS304 (EN X5CrNi18-10) Stainless Steel	1	
	142-400-10	Washer d17xd29x0.3t SUS304 (EN X5CrNi18-10) Stainless Steel	1	
12	140-098-15	Hex.Bolt M12x35 SUS304	4	
13	142-165-10	Spring Washer M12 SUS304 (EN X5CrNi18-10) Stainless Steel	4	Price on req.
14	050-000-79	Motor Bracket FC	1	
15	122-173-19	O-Ring V-225 NBR	1	
16	142-000-08	Wave Washer #6306B(d71xd59x4.0t) SK-5	1	
17	052-000-25	Bearing AC-6306ZZC3	1	
18	058-000-09	Lead Wire Protection Plate d80xd224x1.6t (SPHC)	1	
19	143-126-12	Pan Screw (w/Spring Washer/Plain Washer) M4x12 SWRM	2	
20	053-491-19	Motor Protector 400/415V-50HZ KA314-HKXL202 (H.C)	1	
21	055-000-68	Rotor	1	
22	147-067-16	Impeller Key 10x8x32l Stainless Steel	1	
23	056-C02-10	Stator 380/400/415V-50HZ	1	
24	064-000-12	Motor Frame FC	1	
25	140-100-11	Hex.Bolt M12x45 SUS304 (EN X5CrNi18-10) Stainless Steel	4	Price on req.
26	142-165-10	Spring Washer M12 SUS304 (EN X5CrNi18-10) Stainless Steel	4	Price on req.
27	122-173-19	O-Ring V-225 NBR	1	
28	140-032-37	Hex.Bolt M6x15 SWRM	3	
29	062-223-16	Bearing Fixing Plate d92xd130x4.5t SS	1	
30	052-001-08	Bearing 6309ZZC3	1	
31	146-027-11	Retaining Ring C45 SK5	1	
32	140-104-15	Hex.Bolt M12x65 SUS304 (EN X5CrNi18-10) Stainless Steel	4	
33	142-165-10	Spring Washer M12 SUS304 (EN X5CrNi18-10) Stainless Steel	4	Price on req.
34	060-430-12	Bearing Housing FC	1	
35	121-247-12	Packing d12.3xd18x2t PE	2	
36	035-113-18	Oil Plug M12x14 SUS304 (EN X5CrNi18-10) Stainless Steel	2	Price on req.

150B47.5L-54

Kontroll-Nr. --

2024-04-04 V.01.02.2023

Pos.no	Item no.	Description	Qty.	UP / EUR
37	140-099-16	Hex.Bolt M12x40 SUS304	2	
38	142-165-10	Spring Washer M12 SUS304 (EN X5CrNi18-10) Stainless Steel	2	Price on req.
39	025-001-11	Mechanical Seal H-35A SiC+CCBN	1	
40	143-070-23	Pan Screw M5x6 SWRM	2	
41	030-156-18	Oil Lifter H-35(A)(T) Resin	1	
42	143-070-23	Pan Screw M5x6 SWRM	3	
43	030-150-12	Seal Stopper H-35(A)(T) SPCC	1	
44	122-159-19	O-Ring (Brq.Housing/O.Casing) G-280(279.3xd5.7) NBR	1	
45	029-187-14	Oil Casing 100-5.5/7.5-4B2 FC	1	
46	122-159-19	O-Ring (Brq.Housing/O.Casing) G-280(279.3xd5.7) NBR	1	
47	026-115-12	Oil Seal TC-608212 NBR	1	
48	021-001-83	Impeller (50Hz) FC	1	
49	144-530-16	Hex. Socket Cap Screw M6x15 SUS304 (EN X5CrNi18-10) Stainless Steel	2	
50	142-202-10	Impeller Fixing Washer d13xd50x15t SUS304 (EN X5CrNi18-10) Stainless Steel	1	
51	142-000-22	Spring Washer M12(CP) SUS304 (EN X5CrNi18-10) Stainless	1	
52	140-304-17	Hex. Socket Cap Bolt M12x45 SUS304 (EN X5CrNi18-10) Stainless Steel	1	
53	046-107-13	Air Release Valve PT-1/2 Nylon	1	
54	020-689-14	Pump Casing 200-11-4B3 FC	1	
55	120-173-13	Packing (S.Cover) d321xd348x0.5t PE	1	
56	022-536-11	Suction Cover 200-11-4B2 FC	1	
57	142-165-10	Spring Washer M12 SUS304 (EN X5CrNi18-10) Stainless Steel	3	Price on req.
58	140-097-14	Hex.Bolt M12x30 SUS304	3	
59	023-289-19	Pump Stand 200-11-4B2 FCD	3	
60	142-165-10	Spring Washer M12 SUS304 (EN X5CrNi18-10) Stainless Steel	3	Price on req.
61	140-097-14	Hex.Bolt M12x30 SUS304	3	
62	142-165-10	Spring Washer M12 SUS304 (EN X5CrNi18-10) Stainless Steel	3	Price on req.
63	140-103-14	Hex.Bolt M12x60 SUS304 (EN X5CrNi18-10) Stainless Steel	3	
64	121-165-28	Packing JIS5Kx150mm NR	1	
65	037-119-10	Discharge Bend 150x150mm FC	1	
66	142-166-11	Spring Washer M16 SUS304	8	
67	140-127-14	Hex.Bolt M16x55 SUS304 (EN X5CrNi18-10) Stainless Steel	8	
	173-001-16	Packing & O-Ring Set	1	
	##oilVG32	ml Turbine Oil ISO VG32	5200	Price on req.