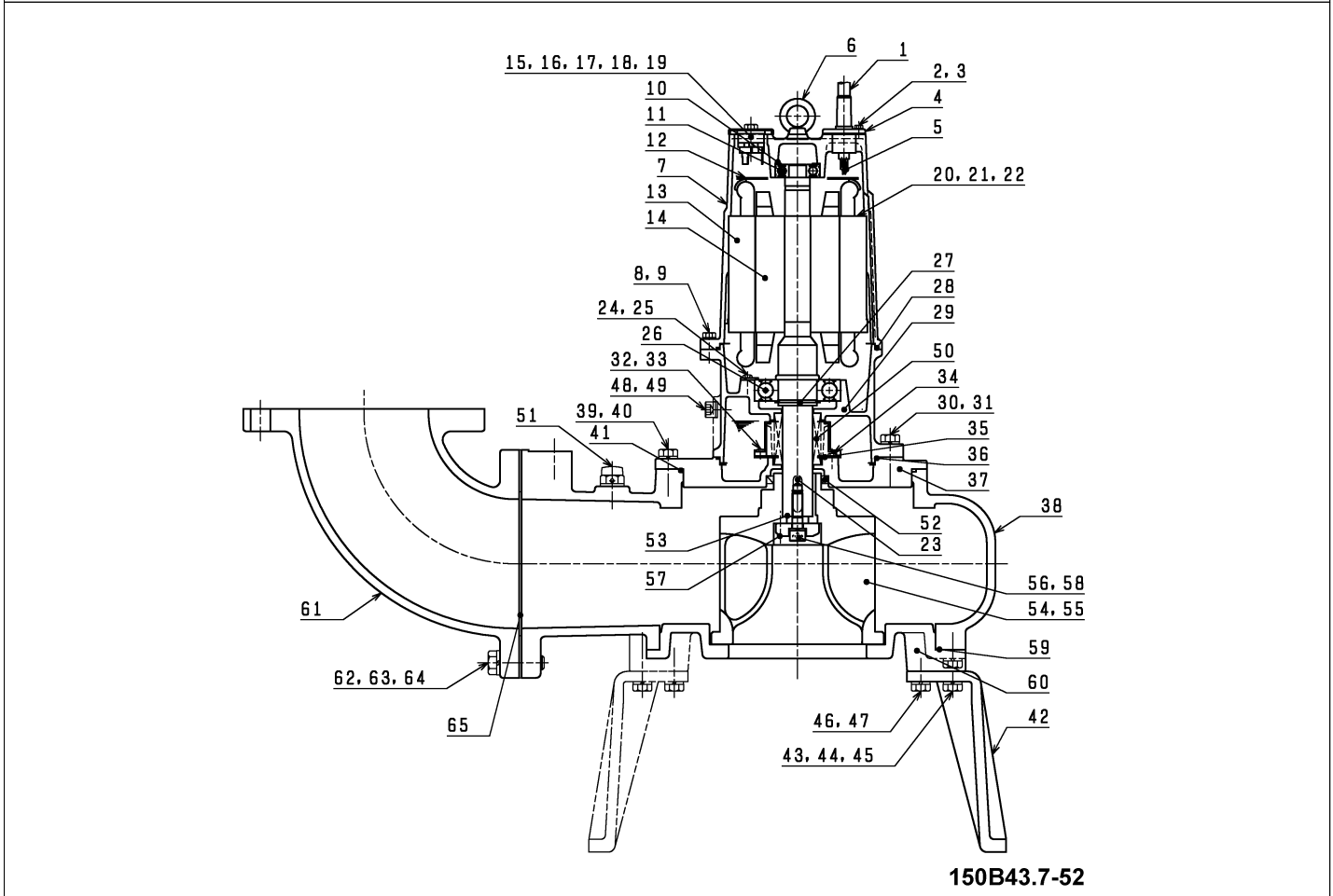


150B43.7-52

Kontroll-Nr. --

2024-03-28 V.01.02.2023

Pos.no	Item no.	Description	Qty.	UP / EUR
--------	----------	-------------	------	----------



Pos.no	Item no.	Description	Qty.	UP / EUR
1.1.1		Dichtungs-Oring-Satz	1	Price on req.
1	001-TEG-21	Cabtyre Cable Set (10m) H07RN-F4Cx1,5mm ² with gland	1	
1	M01-TEG-21	Cabtyre Cable Set (10m) NSSHÖU 4Cx1,5mm ²	3	
2	140-021-17	Hex.Bolt M5x20 SUS304 (EN X5CrNi18-10)	3	
3	142-422-18	Seal Washer PM-5 SUS+NBR	1	
4	003-111-20	Gland SUS304 (EN X5CrNi18-10)	4	
5	009-275-18	Compression type Terminal TGNB-5.5(Insulated) CU	2	
6	072-100-20	Eye Bolt M10 SUS304	1	
7	064-509-15	Motor Frame Grey Iron Casting	3	
8	140-055-10	Hex.Bolt M8x25 SUS304	3	
9	142-163-18	Spring Washer M8 SUS304	1	
10	142-196-10	Wave Washer 6205/6304 SK5	1	
11	052-188-17	Bearing (w/O-ring) AC-6304ZCC3	1	
12	058-000-46	Lead Wire Protection Plate d66xd148x1.6t Bakelite	1	
13	056-	Stator	1	Price on req.
14	055-	Rotor	2	Price on req.
15	140-053-18	Hex.Bolt M8x18 SUS304 (EN X5CrNi18-10) Stainless Steel	1	
16	127-107-17	Protector Fixing Plate 22/37-BE2 SUS304 (EN X5CrNi18-10)	1	
17	121-446-13	Packing 22/37-BE2 NBR	1	
18	053-358-26	Motor Protector 220V-60HZ KA313-GCZL103 (T.C)	2	
19	143-087-23	Pan Screw (w/Spring Washer) M4x10 SWRM	1	
20	141-004-59	Hex.Nut M6 SWRM	1	
21	009-159-15	Terminal R-2-6 CU	1	
22	129-003-18	Stopper M6x160(11/20) SS	1	
23	147-	Impeller Key	3	Price on req.
24	143-042-13	Pan Screw M6x10 SWRM	3	
25	062-196-19	Bearing Fixing Washer d8xd20.5x2.3t SS	1	
26	052-001-08	Bearing 6309ZCC3	1	
27	146-027-11	Retaining Ring C45 SK5	1	
28	122-333-19	O-Ring 170xd3.1 NBR	1	
29	060-375-18	Bearing Housing Grey Iron Casting	3	
30	140-098-15	Hex.Bolt M12x35 SUS304	3	
31	142-165-10	Spring Washer M12 SUS304 (EN X5CrNi18-10) Stainless Steel	2	Price on req.
32	143-070-23	Pan Screw M5x6 SWRM	1	
33	030-156-18	Oil Lifter H-35(A)(T) Resin	3	
34	143-070-23	Pan Screw M5x6 SWRM	1	
35	030-150-12	Seal Stopper H-35(A)(T) SPCC	1	
36	122-246-14	O-Ring (Bra.Housing/O.Casina) 180xd3.1 NBR	1	
37	029-267-19	Oil Casing 4SCRH3.7 EN-GJL-200	1	
38	020-	Pump Casing	3	Price on req.

150B43.7-52

Kontroll-Nr. --

2024-03-28 V.01.02.2023

Pos.no	Item no.	Description	Qty.	UP / EUR
39	140-098-15	Hex.Bolt M12x35 SUS304	3	
40	142-165-10	Spring Washer M12 SUS304 (EN X5CrNi18-10) Stainless Steel	1	Price on req.
41	122-254-15	O-Ring 265xd3.8 NBR	3	
42	023-289-19	Pump Stand 200-11-4B2 FCD	3	
43	140-099-16	Hex.Bolt M12x40 SUS304	3	
44	140-103-14	Hex.Bolt M12x60 SUS304 (EN X5CrNi18-10) Stainless Steel	6	
45	142-165-10	Spring Washer M12 SUS304 (EN X5CrNi18-10) Stainless Steel	3	Price on req.
46	140-099-16	Hex.Bolt M12x40 SUS304	3	
47	142-165-10	Spring Washer M12 SUS304 (EN X5CrNi18-10) Stainless Steel	1	Price on req.
48	121-247-12	Packing d12.3xd18x2t PE	1	
50	025-001-11	Mechanical Seal H-35A SIC+CCBN	1	
51	046-107-13	Air Release Valve PT-1/2 Nylon	1	
52	026-156-15	Oil Seal TC-55729 NBR	1	
53	040-113-14	Impeller Shim d32.5xd48x0.3t SUS304 (EN X5CrNi18-10)	1	
54	021-	Impeller	1	Price on req.
56	142-202-10	Impeller Fixing Washer d13xd50x15t SUS304 (EN X5CrNi18-10) Stainless Steel	2	
57	144-530-16	Hex. Socket Cap Screw M6x15 SUS304 (EN X5CrNi18-10) Stainless Steel	1	
58	140-304-17	Hex. Socket Cap Bolt M12x45 SUS304 (EN X5CrNi18-10) Stainless Steel	1	
59	120-173-13	Packing (S.Cover) d321xd348x0.5t PE	1	
60	022-	Suction Cover	1	Price on req.
61	037-119-10	Discharge Bend 150x150mm FC	8	
62	142-166-11	Spring Washer M16 SUS304	8	
63	141-008-11	Hex.Nut M16 SUS304 (EN X5CrNi18-10)	8	
64	140-127-14	Hex.Bolt M16x55 SUS304 (EN X5CrNi18-10) Stainless Steel	1	
65	121-165-28	Packing JIS5Kx150mm NR	1	
	173-	Packing & O-Ring Set	1	Price on req.
	##oilVG32	ml Turbine Oil ISO VG32	1350	Price on req.