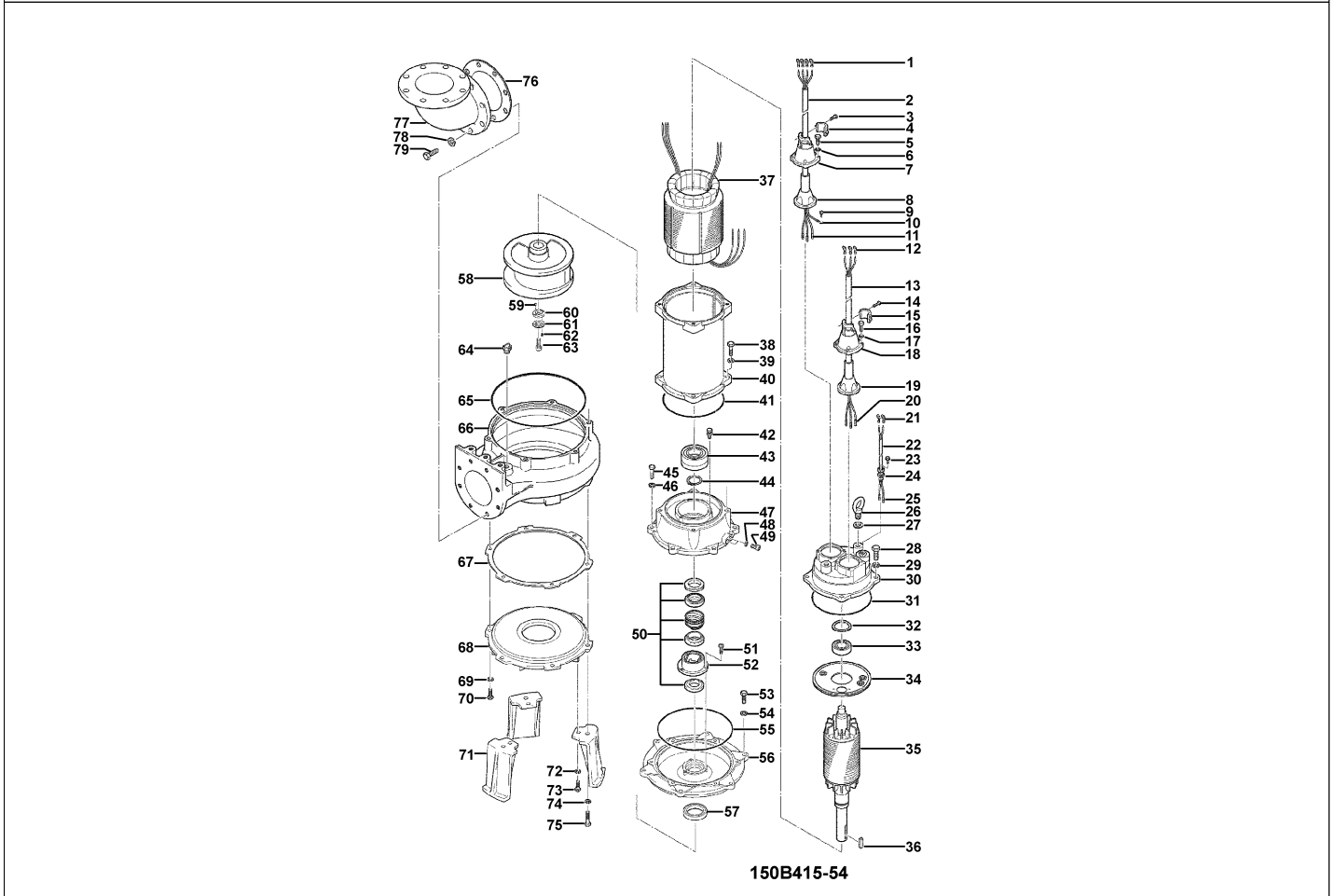


150B415-54

Kontroll-Nr. --

2024-03-28 V.01.02.2023

Pos.no	Item no.	Description	Qty.	UP / EUR
--------	----------	-------------	------	----------



1.1.1	173-001-17	Packing & O-Ring Set	1	
1	009-131-11	Terminal 380V-50Hz R-5.5-6 CU	4	
2	M01-TEG-09	Cabletyre Cable Set (20m) NSSHÖU 4Cx2,5mm ²	1	
3	140-035-14	Hex.Bolt M6x20 SUS304 (EN X5CrNi18-10) Stainless	2	
4	070-107-18	Cable Clamp FC	1	
5	140-056-11	Hex.Bolt M8x30 SUS304 (EN X5CrNi18-10) Stainless	4	
6	142-163-18	Spring Washer M8 SUS304	4	
7	006-126-14	Stuffing Box No.2 FC	1	
8	008-143-13	Mould Cover KR2-8 CR	1	
9	143-085-21	Pan Screw (w/Spring Washer) M4x6 SWRM	1	
10	009-130-10	Terminal R-5.5-4 CU	1	
11	009-276-19	Compression type Terminal 110V-50Hz(GBR) TMNB-5.5(Insulated) CU	3	
12	009-131-11	Terminal 380V-50Hz R-5.5-6 CU	3	
13	M01-TEG-09	Cabletyre Cable Set (20m) NSSHÖU 4Cx2,5mm ²	1	
14	140-035-14	Hex.Bolt M6x20 SUS304 (EN X5CrNi18-10) Stainless	2	
15	070-107-18	Cable Clamp FC	1	
16	140-056-11	Hex.Bolt M8x30 SUS304 (EN X5CrNi18-10) Stainless	4	
17	142-163-18	Spring Washer M8 SUS304	4	
18	006-126-14	Stuffing Box No.2 FC	1	
19	008-136-13	Mould Cover KR2-1 CR	1	
20	009-276-19	Compression type Terminal 110V-50Hz(GBR) TMNB-5.5(Insulated) CU	3	
21	009-127-14	Terminal R-1.25-4 CU	2	
22	T01-TEG-97	Cabletyre Cable Set (20m) H07RN-F 3Cx1,5mm ²	1	
23	140-427-17	Hex.Bolt (w/Plain Washer) M5x15 SUS304 (EN X5CrNi18-10)	2	
24	003-190-10	Gland SUS316 (EN X5Cr-Ni-Mo17-12-2)	1	
25	009-104-15	Solderless Terminal TMVB-1.25 CU	2	
26	072-107-14	Eye Bolt M16 SS	2	
27	142-399-15	Washer d17xd29x0.1t SUS304 (EN X5CrNi18-10) Stainless Steel	1	
	142-400-10	Washer d17xd29x0.3t SUS304 (EN X5CrNi18-10) Stainless Steel	1	
28	140-098-15	Hex.Bolt M12x35 SUS304	4	
29	142-165-10	Spring Washer M12 SUS304 (EN X5CrNi18-10) Stainless Steel	4	Price on req.
30	050-000-03	Motor Bracket FC	1	
31	122-173-19	O-Ring V-225 NBR	1	
32	142-199-26	Wave Washer BWW-6307,D=80,T=0.45 SK5	1	
33	052-000-26	Bearing AC-6307ZZC3	1	
34	058-000-09	Lead Wire Protection Plate d80xd224x1.6t (SPHC)	1	
35	055-000-12	Rotor	1	
36	147-000-15	Impeller Key 16x10x50 Stainless Steel	1	
37	056-	Stator	1	Price on req.
38	140-100-11	Hex.Bolt M12x45 SUS304 (EN X5CrNi18-10) Stainless Steel	4	Price on req.

150B415-54

Kontroll-Nr. --

2024-03-28 V.01.02.2023

Pos.no	Item no.	Description	Qty.	UP / EUR
39	142-165-10	Spring Washer M12 SUS304 (EN X5CrNi18-10) Stainless Steel	4	Price on req.
40	064-	Motor Frame	1	Price on req.
41	122-173-19	O-Ring V-225 NBR	1	
42	140-000-06	Hex.Bolt (w/Spring Washer/Plain Washer) M6x12 SWCH	3	
43	052-131-15	Bearing 6311ZZC3	2	
44	146-031-18	Retaining Ring C55 SK5	1	
45	140-099-16	Hex.Bolt M12x40 SUS304	6	
46	142-165-10	Spring Washer M12 SUS304 (EN X5CrNi18-10) Stainless Steel	6	Price on req.
47	060-000-08	Bearing Housing SCS14 (DIN 1.4408 GX5CrNiMo19-11-2) Stainless Steel Casting	1	
48	121-247-12	Packing d12.3xd18x2t PE	2	
49	035-113-18	Oil Plug M12x14 SUS304 (EN X5CrNi18-10) Stainless Steel	2	Price on req.
50	025-000-65	Mechanical Seal H-50T SIC	1	
51	143-028-13	Pan Screw M5x10 SWRM	2	
52	030-133-19	Oil Lifter H-50(T) SPCC	1	
53	140-099-16	Hex.Bolt M12x40 SUS304	6	
54	142-165-10	Spring Washer M12 SUS304 (EN X5CrNi18-10) Stainless Steel	6	Price on req.
55	122-160-13	O-Ring (M.Bracket/M.Frame) G-290(289.3xd5.7) NBR	1	
56	029-000-28	Oil Casing 100SC415-53/63 FC	1	
57	026-000-11	Oil Seal TC-8511013 NBR	1	
58	021-004-50	Impeller (50HZ) 150B415-53 FC	1	
59	145-035-19	Taper Pin 5x10 SUS304 (EN X5CrNi18-10) Stainless Steel	1	
60	142-430-19	Impeller Fixing Washer d18x60x11t(w/Pin) SUS304 (EN X5CrNi18-10) Stainless Steel	1	
61	217-020-17	Fixing Plate d60x3t M16(B=24) SUS304 (EN X5CrNi18-10) Stainless Steel	1	
62	140-232-13	Hex. Socket Cap Bolt M5x10 SUS304 (EN X5CrNi18-10) Stainless Steel	2	
63	140-126-13	Hex.Bolt M16x50 SUS304 (EN X5CrNi18-10) Stainless Steel	1	
64	046-107-13	Air Release Valve PT-1/2 Nylon	1	
65	122-270-17	O-Ring 350xd5.7 NBR	1	
66	020-001-15	Pump Casing 150SC411/15-51/61 FC	1	
67	120-106-15	Packing (S.Cover) d360xd390x0.5t PE	1	
68	022-000-75	Suction Cover 150B411-53/63 FC	1	
69	142-165-10	Spring Washer M12 SUS304 (EN X5CrNi18-10) Stainless Steel	3	Price on req.
70	140-097-14	Hex.Bolt M12x30 SUS304	3	
71	023-289-19	Pump Stand 200-11-4B2 FCD	3	
72	142-165-10	Spring Washer M12 SUS304 (EN X5CrNi18-10) Stainless Steel	3	Price on req.
73	140-097-14	Hex.Bolt M12x30 SUS304	3	
74	142-165-10	Spring Washer M12 SUS304 (EN X5CrNi18-10) Stainless Steel	3	Price on req.
75	140-100-11	Hex.Bolt M12x45 SUS304 (EN X5CrNi18-10) Stainless Steel	3	Price on req.
76	121-165-28	Packing JIS5Kx150mm NR	1	
77	037-119-10	Discharge Bend 150x150mm FC	1	
78	142-166-11	Spring Washer M16 SUS304	8	
79	140-127-14	Hex.Bolt M16x55 SUS304 (EN X5CrNi18-10) Stainless Steel	8	
	095-000-35	Chain 9mm(10L) SS	1	Price on req.
	011-000-16	Shackle 12mm SS	2	
	095-176-28	Chain 9mmx5m SS	1	
	173-001-17	Packing & O-Ring Set	1	
	##oilVG32	ml Turbine Oil ISO VG32	5700	Price on req.