



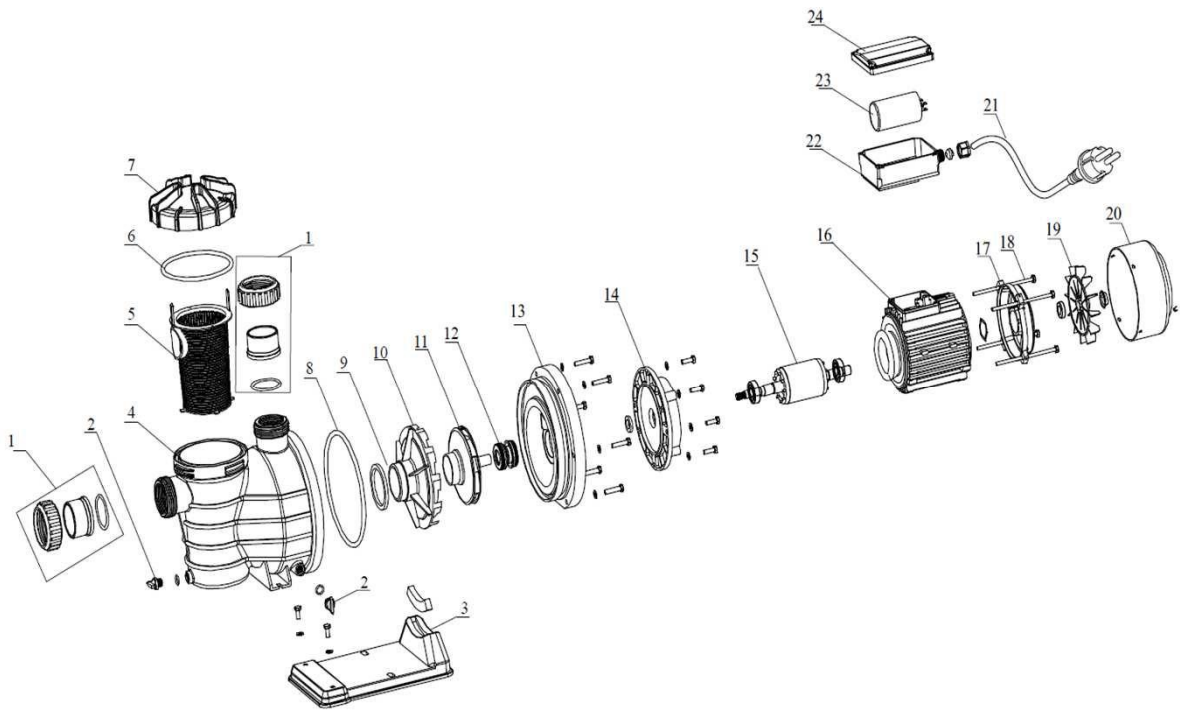
SPERONI S.p.A. – 42024 Castelnuovo di Sotto (Reggio Emilia) – Italy – Via S. Biagio, 59  
Tel. +39.0522.487011 – Fax +39.0522.688525  
E-Mail [speroni@speroni.it](mailto:speroni@speroni.it) – [www.speroni.it](http://www.speroni.it)  
Cod. Fisc. / Partita IVA 00133990358

## SWIMM 1000



102400220

# SWIMM 1000



# SWIMM 1000

1	CODE	DESCRIPTION	QT
1	008018131	Kit joint	1
2	008018132	Drainage plug	1
3	008018133	Base	1
4	008018134	Pump Casing	1
5	008018135	Filter	1
6	008018136	Transparent cover pad	1
7	008018137	Transparent cover	1
8	008018138	O-ring 130x6	1
9	008018139	O-ring d.70	1
10	008018140	Diffuser	1
11	008018172	Impeller	1
12	008018110	Mechanical seal	1
13	008018143	Pump cover	1
14	008018144	Flange	1
15	008018175	Rotor with bearing	1
16	008018176	Stator	1
17	008018147	Shield	1
18	008018148	Screw	1
19	008018149	Fan	1
20	008018150	Fan cover	1
21	008018181	Cable	1
22	008018120	Capacitor box	1
23	008018183	Capacitor 20 uF	1
24	008018122	Capacitor cover	1