



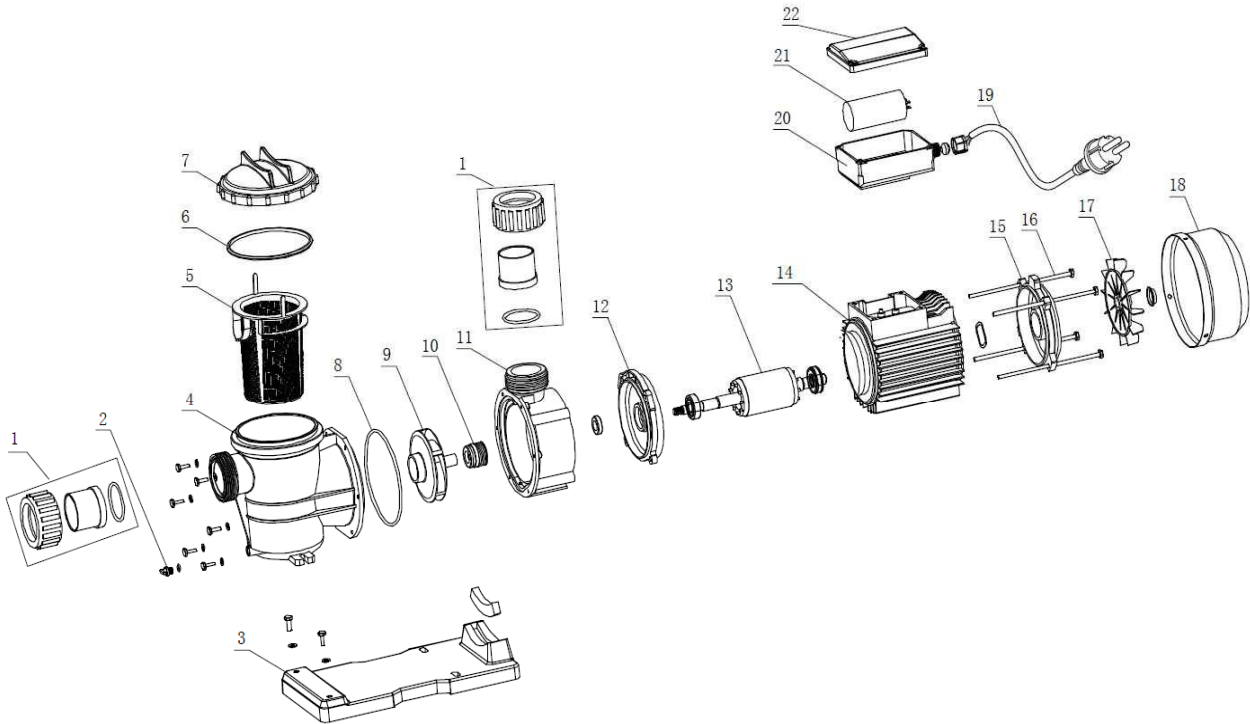
SPERONI S.p.A. – 42024 Castelnuovo di Sotto (Reggio Emilia) – Italy – Via S. Biagio, 59  
Tel. +39.0522.487011 – Fax +39.0522.688525  
E-Mail [speroni@speroni.it](mailto:speroni@speroni.it) – [www.speroni.it](http://www.speroni.it)  
Cod. Fisc. / Partita IVA 00133990358

## SWIMM 500



102400200

# SWIMM 500



# SWIMM 500

2	CODE	DESCRIPTION	QT
1	008018101	KIT JOINT	1
2	008018102	DRAINAGE PLUG	1
3	008018103	BASE	1
4	008018104	PUMP COVER	1
5	008018105	FILTER	1
6	008018106	TRANSPARENT COVER PAD	1
7	008018107	TRANSPARENT COVER	1
8	008018108	O-RING 118X3,5	1
9	008018109	IMPELLER	1
10	008018110	MECANICAL SEAL	1
11	008018111	PUMP CASING	1
12	008018112	FLANGE	1
13	008018113	ROTOR WITH BEARING	1
14	008018114	STATOR	1
15	008018115	SHIELD	1
16	008018116	SCREW	1
17	008018117	FAN	1
18	008018118	FAN COVER	1
19	008018119	CABLE	1
20	008018120	CAPACITOR BOX	1
21	008018121	CAPACITOR 10 UF	1
22	008018122	CAPACITOR COVER	1