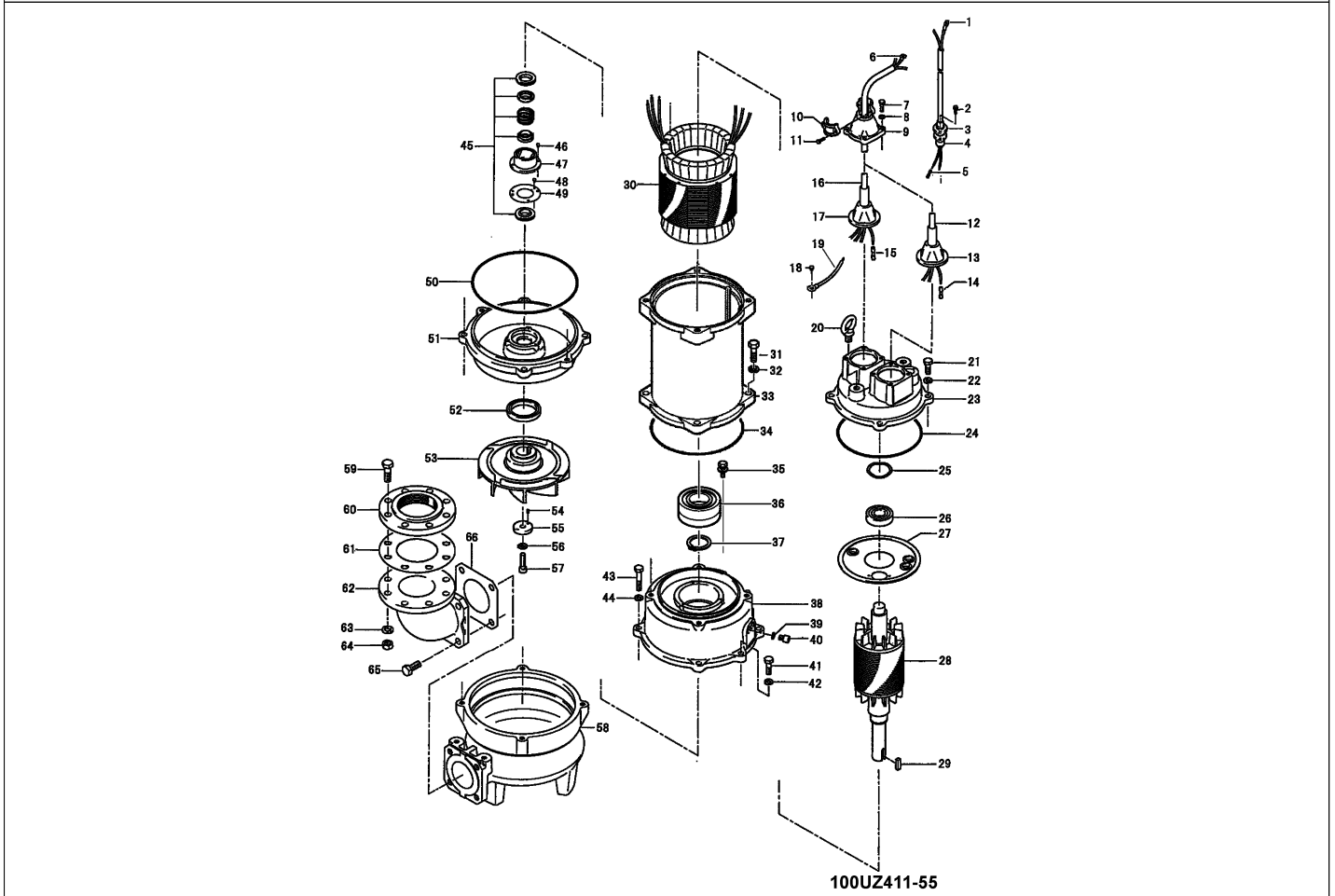


**100UZ411-55**

Kontroll-Nr. --

2024-03-28 V.01.02.2023

Pos.no	Item no.	Description	Qty.	UP / EUR
--------	----------	-------------	------	----------



Pos.no	Item no.	Description	Qty.	UP / EUR
1.1.1	173-002-60	Packing & O-Ring Set	1	
1	009-127-14	Terminal R-1.25-4 CU	2	
2	140-427-17	Hex.Bolt (w/Plain Washer) M5x15 SUS304 (EN X5CrNi18-10)	2	
3	003-190-10	Gland SUS316 (EN X5Cr-Ni-Mo17-12-2)	1	
4	T01-TEG-99	Cabletyre Cable Set (10m) H07RN-F 3Cx1,5mm2	1	
5	009-104-15	Solderless Terminal TMVB-1.25 CU	2	
6	009-131-11	Terminal 380V-50Hz R-5.5-6 CU	7	
7	140-056-11	Hex.Bolt M8x30 SUS304 (EN X5CrNi18-10) Stainless	8	
8	142-163-18	Spring Washer M8 SUS304	8	
9	006-126-14	Stuffing Box No.2 FC	2	
10	070-107-18	Cable Clamp FC	2	
11	140-035-14	Hex.Bolt M6x20 SUS304 (EN X5CrNi18-10) Stainless	4	
12	001-TEG-09	Cabletyre Cable Set (20m) H07RN-F4Cx2,5mm² without stuffing box	1	
12	M01-TEG-09	Cabletyre Cable Set (20m) NSSHÖU 4Cx2,5mm²	1	
13	008-136-13	Mould Cover KR2-1 CR	1	
14	009-275-18	Compression type Terminal TGNB-5.5(Insulated) CU	3	
15	009-275-18	Compression type Terminal TGNB-5.5(Insulated) CU	4	
16	001-TEG-09	Cabletyre Cable Set (20m) H07RN-F4Cx2,5mm² without stuffing box	1	
16	M01-TEG-09	Cabletyre Cable Set (20m) NSSHÖU 4Cx2,5mm²	1	
17	008-136-13	Mould Cover KR2-1 CR	1	
18	143-085-21	Pan Screw (w/Spring Washer) M4x6 SWRM	1	
19	009-294-13	Earth Terminal 3.5mmx170L	1	
20	072-107-27	Eye Bolt M16 SUS304	2	
	142-399-15	Washer d17xd29x0.1t SUS304 (EN X5CrNi18-10) Stainless Steel	1	
	142-400-10	Washer d17xd29x0.3t SUS304 (EN X5CrNi18-10) Stainless Steel	1	
21	140-098-15	Hex.Bolt M12x35 SUS304	4	
22	142-165-10	Spring Washer M12 SUS304 (EN X5CrNi18-10) Stainless Steel	4	Price on req.
23	050-000-01	Motor Bracket ADC	1	
24	122-173-19	O-Ring V-225 NBR	1	
25	142-198-12	Wave Washer 6306 SK5	1	Price on req.
26	052-000-25	Bearing AC-6306ZZC3	1	
27	058-000-09	Lead Wire Protection Plate d80xd224x1.6t (SPHC)	1	
28	055-000-14	Rotor	1	
29	147-165-15	Impeller Key 12x8x40 Stainless Steel	1	Price on req.
30	056-000-04	Stator 380/400/415V-50Hz	1	
	181-000-03	Cable Tie T50S, 158Lx4.7Bx35D Nylon	3	Price on req.
31	140-100-11	Hex.Bolt M12x45 SUS304 (EN X5CrNi18-10) Stainless Steel	4	Price on req.
32	142-165-10	Spring Washer M12 SUS304 (EN X5CrNi18-10) Stainless Steel	4	Price on req.
33	064-000-71	Motor Frame FC	1	
34	122-173-19	O-Ring V-225 NBR	1	

**100UZ411-55**

Kontroll-Nr. --

2024-03-28 V.01.02.2023

Pos.no	Item no.	Description	Qty.	UP / EUR
35	140-000-06	Hex Bolt (w/Spring Washer/Plain Washer) M6x12 SWCH	3	
36	052-001-09	Bearing 6310ZC3	2	
37	146-029-13	Retaining Ring C50 SK-5	1	
38	060-000-03	Bearing Housing ADC	1	
39	121-247-12	Packing d12.3xd18x2t PE	2	
40	035-113-18	Oil Plug M12x14 SUS304 (EN X5CrNi18-10) Stainless Steel	2	Price on req.
41	140-099-16	Hex.Bolt M12x40 SUS304	2	
42	142-165-10	Spring Washer M12 SUS304 (EN X5CrNi18-10) Stainless Steel	2	Price on req.
43	140-104-15	Hex.Bolt M12x65 SUS304 (EN X5CrNi18-10) Stainless Steel	4	
44	142-165-10	Spring Washer M12 SUS304 (EN X5CrNi18-10) Stainless Steel	4	Price on req.
45	025-001-13	Mechanical Seal H-40X(E) SiC	1	
46	143-070-23	Pan Screw M5x6 SWRM	2	
47	030-141-10	Oil Lifter H-40(T) Resin	1	
48	143-070-10	Pan Screw M5x6 SWRM	3	
49	030-149-18	Seal Stopper H-40/45 SPCC	1	
50	122-159-19	O-Ring (Brq.Housing/O.Casing) G-280(279.3xd5.7) NBR	1	
51	029-191-11	Oil Casing 110-CE2 FC	1	
52	026-117-14	Oil Seal TC-709212 NBR	1	
53	021-M66-13	Impeller (50HZ) 11L/50Hz FC	1	
54	144-293-27	Hex.Socket Screw M6x12 SUS304 (EN X5CrNi18-10) Stainless Steel	2	
55	142-202-10	Impeller Fixing Washer d13xd50x15t SUS304 (EN X5CrNi18-10) Stainless Steel	1	
56	142-000-22	Spring Washer M12(CP) SUS304 (EN X5CrNi18-10) Stainless	1	
57	140-303-16	Hex. Socket Cap Bolt M12x40 SUS304 (EN X5CrNi18-10) Stainless Steel	1	
58	020-002-50	Pump Casing (TOS)80UZ411-52/62 FC	1	
59	140-000-56	Hex.Bolt M16x75 SWRM	8	
60	048-000-40	Screwed FlangeJIS10Kx100mm FC	1	
61	121-106-34	Packing JIS10Kx100mm NR	1	
62	037-000-32	Discharge Bend(For 100mm)100x100mm(S-4) FC	1	
63	142-166-37	Spring Washer M16 SWRH	8	
64	141-008-11	Hex.Nut M16 SUS304 (EN X5CrNi18-10)	8	
65	140-124-11	Hex.Bolt M16x40 SUS304 (EN X5Cr18-10)	4	
66	121-153-10	Packing 160mm2(P.C.165) NBR	1	
	173-002-60	Packing & O-Ring Set	1	
	##oilVG32	ml Turbine Oil ISO VG32	6500	Price on req.