

100C47.5

Kontroll-Nr. --

2018-10-17 V.18 / 1.10.2015

100C47.5			
Item	Item no.	Description	Quant.
1	001-TEG-07	Cabtyre Cable Set (10m) H07RN-F4Cx4mm ² without stuffing box	1
1	M01-TEG-07	Cabtyre Cable Set (10m) NSSHÖU 4Cx4mm ²	1
1-1	009-115-19	Connector PC-4020F	1
1-2	009-114-18	Connector PC-4020M	1
1-3	009-137-17	Terminal R-3.5-6 CU	7
1-4	009-115-19	Connector PC-4020F	2
1-5	009-114-18	Connector PC-4020M	2
2	140-055-10	Hex.Bolt M6x25 SUS304 (EN X5CrNi18-10)	4
3	006-126-14	Stuffing Box No.2 FC	1
4	070-107-18	Cable Clamp FC	1
5	140-035-27	Hex.Bolt M6x20 SUS304 (EN X5CrNi18-10) Stainless Steel	2
6	008-140-10	Mould Cover KR2-5 CR	1
6	008-143-13	Mould Cover KR2-8 CR	1
7	143-805-34	Pan Screw (w/spring washer /plain washer) M4x6 (SWRM)	1
8	009-122-19	Terminal R-3.5-4 CU	1
8	009-130-10	Terminal R-5.5-4 CU	1
9	009-123-10	Terminal P-5.5 CU	1
9	009-142-15	Terminal B-5.5 CU	1
9-1	009-101-12	Terminal (C/W Screw) d12x(d6.6xd6.6)x25l BSBM	1
10	002-129-15	Heat Shrink Tube (Sold per meter) EVA(d14x1t) (Vm)	1
11	002-132-11	Heat Shrink Tube (Sold per meter) A4(d17x0.3t) (Vm)	1
12	072-107-14	Eye Bolt M16 SS	1
13	140-098-15	Hex.Bolt M12x35 SUS304 (EN X5Cr18-10)	1
14	142-165-10	Spring Washer M12 SUS304 (EN X5Cr18-10)	1
15	050-331-11	Motor Bracket FC	1
16	122-245-13	O-Ring 71.4xd3.1 NBR	1
17	122-173-19	O-Ring V-225 NBR	1
18	143-015-17	Pan Screw M4x10 SWRM	1
19	053-192-17	Motor Protector 220V-60HZ KA314-HKXL00 (B.C)	1
19	053-309-19	Motor Protector 9700K-46-215 (H)	1
19	053-326-12	Motor Protector s.d. KA314-HL00-F (H.C.)	1
19	053-391-18	Motor Protector KA314-HM2L00 (H.C.)	1
19	053-456-12	Motor Protector 220V-60HZ KA314-HL00 (H.C)	1
20	058-136-18	Lead Wire Protection Plate d80xd224x3.2t SPHC	1
21	016-103-16	Lead Wire Protection Bush 100-7.5-4B3 SBR	1
22	142-198-12	Wave Washer #6306 SK-5	1
23	052-109-14	Bearing 6306ZZC3	1
24	055-488-19	Rotor	1
25	147-006-17	Impeller Key 10x8x35l Stainless Steel	1
26	056-830-13	Stator d.o.l.	1
26	056-842-18	Stator s.d.	1
27	140-100-11	Hex.Bolt M12x45 SUS304 (EN X5Cr18-10)	1
28	142-165-10	Spring Washer M12 SUS304 (EN X5Cr18-10)	1
29	064-401-16	Motor Frame FC	1
30	140-033-25	Hex.Bolt M6x16 SWRM	1
31	062-223-16	Bearing Fixing Plate d92xd130x4.5t SS	1
32	052-112-10	Bearing 6309ZZC3	2
33	122-173-19	O-Ring V-225 NBR	2
34	121-247-12	Packing (Oil Plug) d12.3xd18x2t PE	2
35	035-113-18	Oil Plug M12x14 SUS304 (EN X5Cr18-10)	4
36	140-099-16	Hex.Bolt M12x40 SUS304 (EN X5CrNi18-10)	4
37	142-165-10	Spring Washer M12 SUS304 (EN X5Cr18-10)	1
38	140-104-15	Hex.Bolt M12x65 SUS304 (EN X5CrNi18-10) Stainless Steel	2
39	142-165-10	Spring Washer M12 SUS304 (EN X5Cr18-10)	1
40	060-395-14	Bearing Housing FC	3
41, 42	143-070-23	Pan Screw M5x6 SWRM	1
41, 42	030-156-18	Oil Lifter H-35(A)(T) Resin	1
41, 42	143-070-10	Pan Screw M5x6 SWRM	1
41, 42	030-150-12	Seal Stopper H-35(A)(T) SPCC	1
43	025-195-13	Mechanical Seal H-35 SiC	1
44	122-159-19	O-Ring (Brg.Housing/O.Casing) G-280(279.3xd5.7) NBR	1
45	029-187-14	Oil Casing 100-5.5/7.5-4B2 FC	1
46	026-115-12	Oil Seal TC-608212 NBR	1
47	122-159-19	O-Ring (Brg.Housing/O.Casing) G-280(279.3xd5.7) NBR	1
48	046-107-13	Air Release Valve PT-1/2 Nylon	1
49	020-531-23	Pump Casing 100-5.5/7.5-4B2 FC	1
50	040-124-18	Impeller Shim d25.2xd35x0.3t SUS304 (EN X5CrNi18-10) Stainless Steel	1
51	021-809-15	Impeller (50Hz) 50Hz FC	2
52	142-202-10	Impeller Fixing Washer d13xd50x15t SUS304 (EN X5CrNi18-10) Stainless Steel	1
53	144-293-27	Hex.Socket Set Screw M6x12 SUS304 (EN X5CrNi18-10) Stainless Steel	1
54	140-303-16	Hex. Socket Cap Bolt M12x40 SUS304 (EN X5CrNi18-10) Stainless Steel	3
55	120-102-11	Packing (S.Cover) d301xd328x0.3t PE	3
56	022-330-26	Suction Cover 55/110-CE2 FCD	3
57	142-165-10	Spring Washer M12 SUS304 (EN X5Cr18-10)	3
58	140-097-14	Hex.Bolt M12x30 SUS304 (EN X5CrNi18-10)	3
59	142-165-10	Spring Washer M12 SUS304 (EN X5Cr18-10)	3
60	140-097-14	Hex.Bolt M12x30 SUS304 (EN X5CrNi18-10)	3
61	023-288-18	Pump Stand 55/110-CE2 FC	8
62	142-165-10	Spring Washer M12 SUS304 (EN X5Cr18-10)	1
63	140-099-16	Hex.Bolt M12x40 SUS304 (EN X5CrNi18-10)	1
64	140-129-32	Hex.Bolt M16x65 SWRM	8
65	048-000-40	Screwed Flange.JIS10Kx100mm FC	8

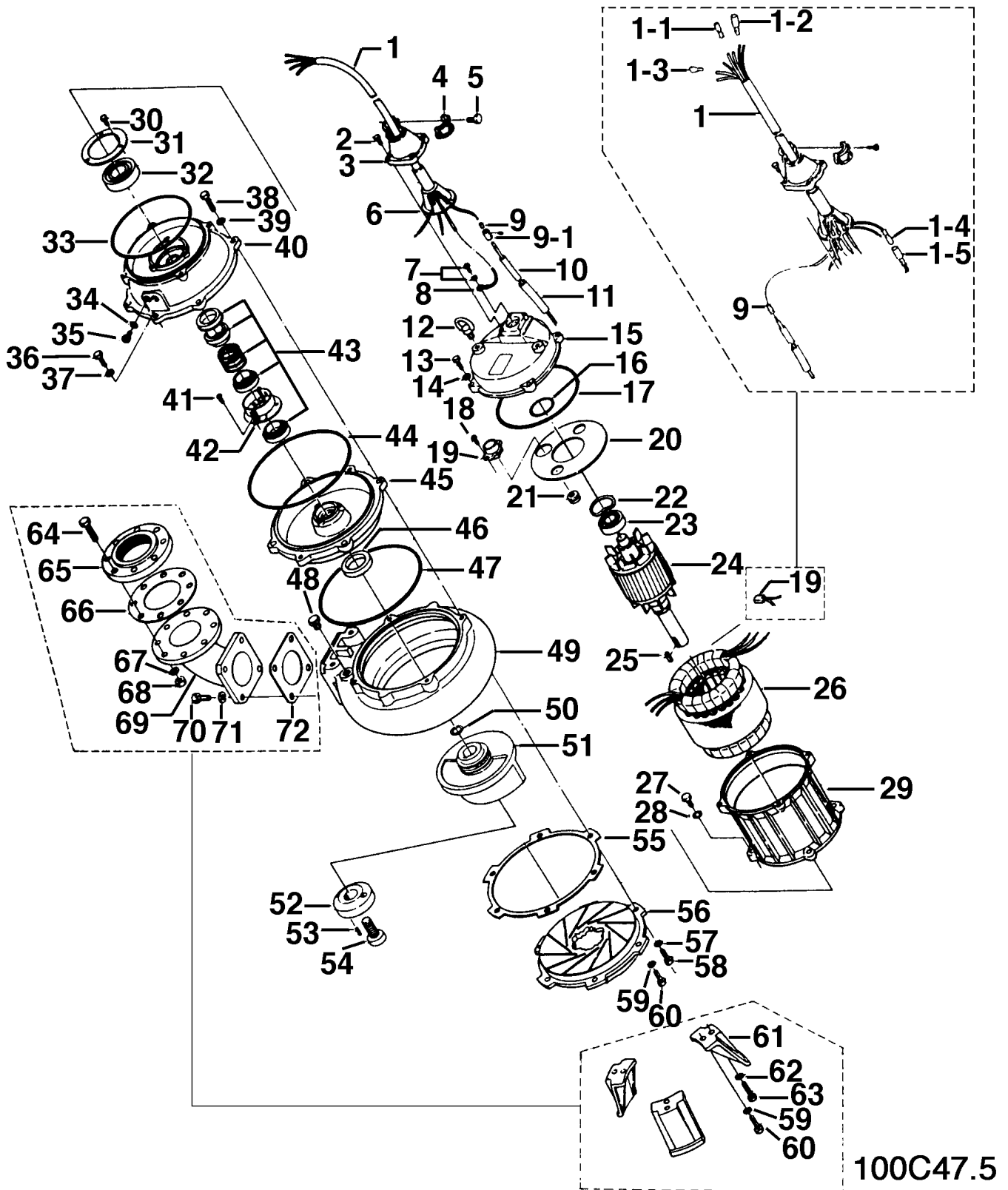
100C47.5

Kontroll-Nr. --

2018-10-17 V.18 / 1.10.2015

100C47.5			
Item	Item no.	Description	Quant.
66	121-106-34	Packing JIS10Kx100mm NR	1
67	142-166-37	Spring Washer M16 SWRH	4
68	141-008-11	Hex.Nut M16 SUS304 (EN X5CrNi18-10)	4
69	037-000-32	Discharge Bend(For 100mm)100x100mm(S-4) FC	1
70	140-124-11	Hex.Bolt M16x40 SUS304 (EN X5Cr18-10)	4
71	142-166-11	Spring Washer M16 SUS304 (EN X5Cr18-10)	4
72	121-153-10	Packing 160mm2(P.C.165) NBR	1
	173-382-11	Packing & O-Ring Set	1
	##oilVG32	ml Turbine Oil ISO VG32	5200

Exploded View 100C47.5



100C47.5