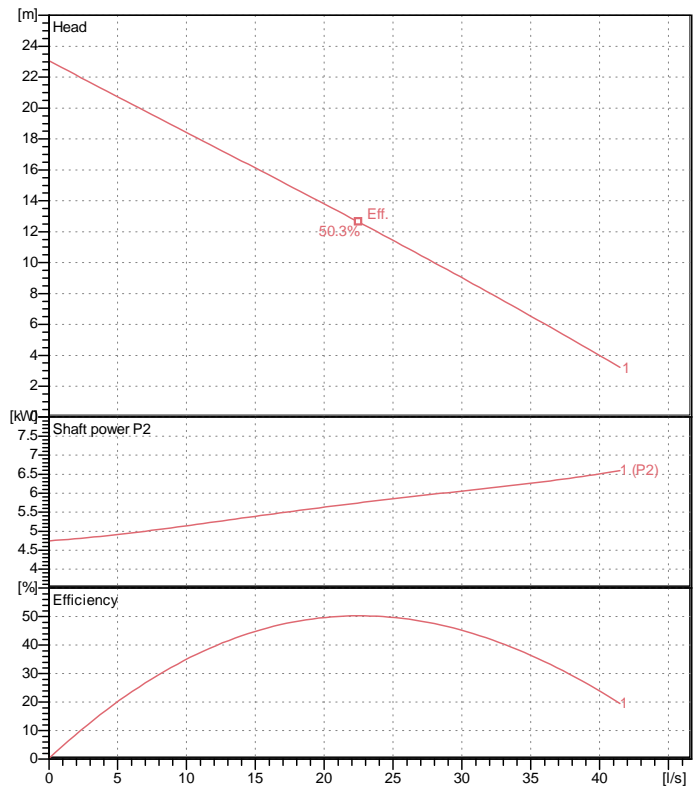
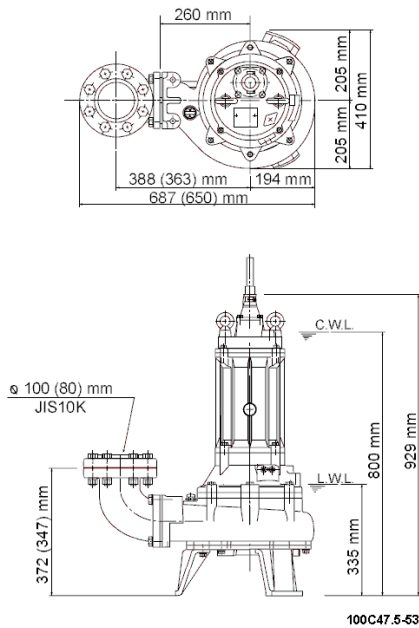


Data sheet 100C47.5-53



CWL: Continuous running water level
LWL: Lowest running water level

Specification

Electric submersible pump with cutter mechanism
Degree of protection IP 68
Depth of submersion max. 15 m
Type of impeller Single channel impeller
Free passage 40 mm
Suitable for:
sewage water and liquids carrying solids

Electric motor

Dry-type submersible induction motor
Insulation class F 4Poles 1455 1/min
Starting mode Directly
Rated voltage 400 V 50 Hz 3~
Power uptake 9.16 kW
Rated power 7.50 kW
Rated current 15.9 A
Start current 89.0 A

Cable

10m H07RN-F 4Cx4mm²

Motor Protection

Miniature protector in windings
(snap-action bi-metal device)

Shaft seal

Double inside mechanical seal in oil bath
additional lubrication by oil lifting device
Primary seal
Silicon carbide on silicon carbide
Secondary seal
Silicon carbide on silicon carbide

Bearings

Shielded ball bearings, maintenance-free

Materials

Impeller
FC20 (EN-GJL-200) + Tungsten carbide
Pump casing FC200 (EN-GJL-200)
Suction cover FCD700 (EN-GJS-700-2)
Motor Frame FC200 (EN-GJL-200)
Shaft SUS403 (EN-X6Cr13)

Discharge size

4" (100mm) JIS 10K screwed-in mating flange
guide rail fitting optional

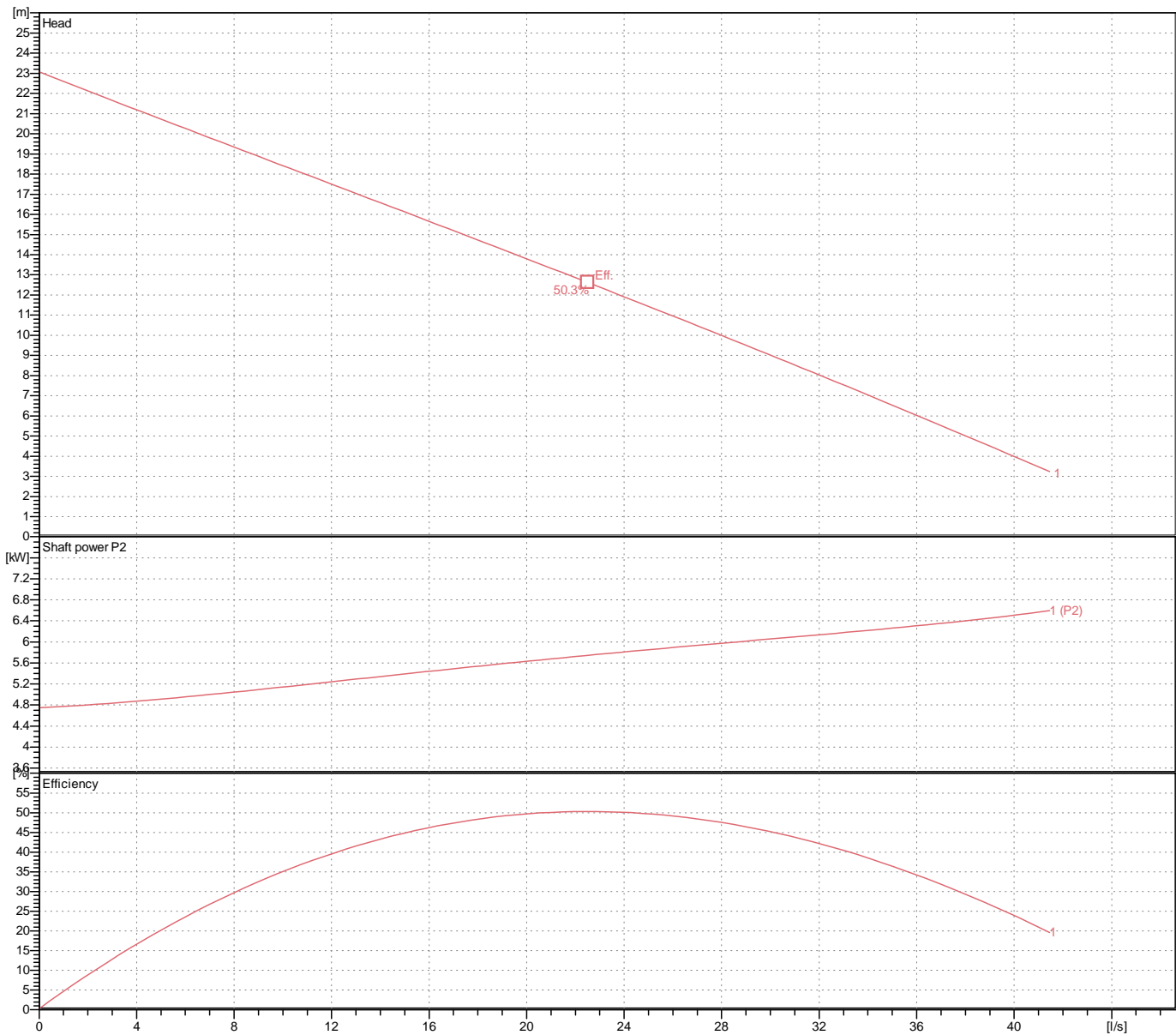
Weight

159 kg (dry weight of the pump only without cable)

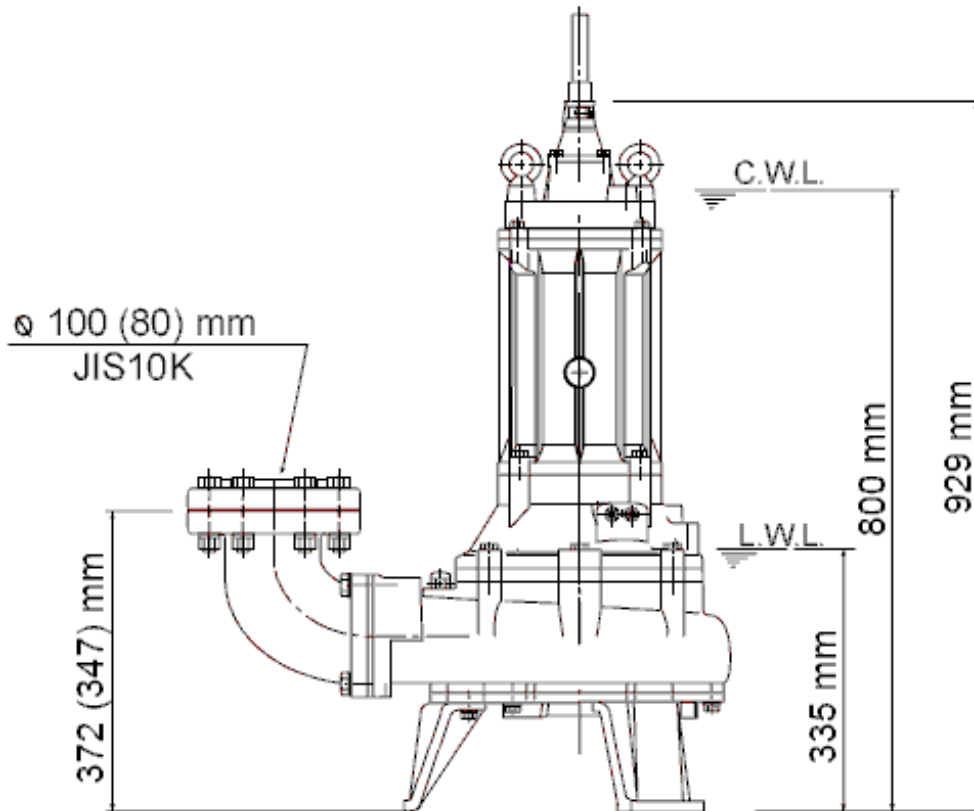
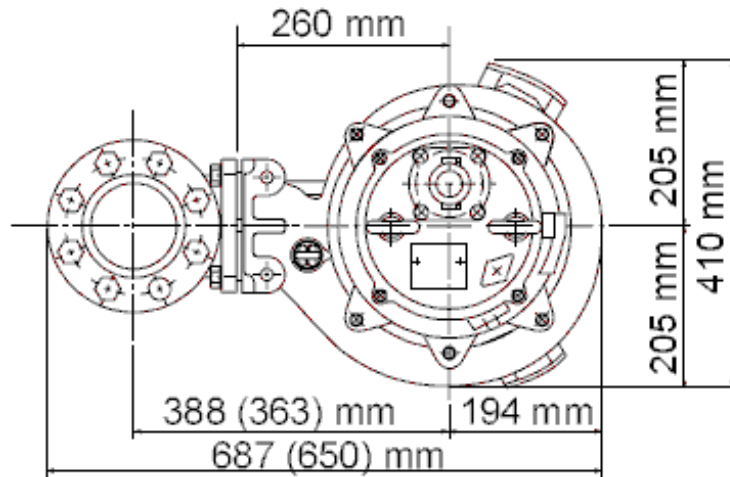
Performance curve

100C47.5-53

Discharge port	4"
Head	23.1 m
Flow	41.5 l/s
Rated power	7.50 kW
Power input	9.16 kW
Phases	3~
Voltages	400 V
Frequency	50 Hz
Rated current	15.9 A
Starting current	89.04 A
Number of poles	4
Speed	1455 1/min
Starting mode	Directly
Insulation class	F



Dimensions 100C47.5-53



100C47.5-53

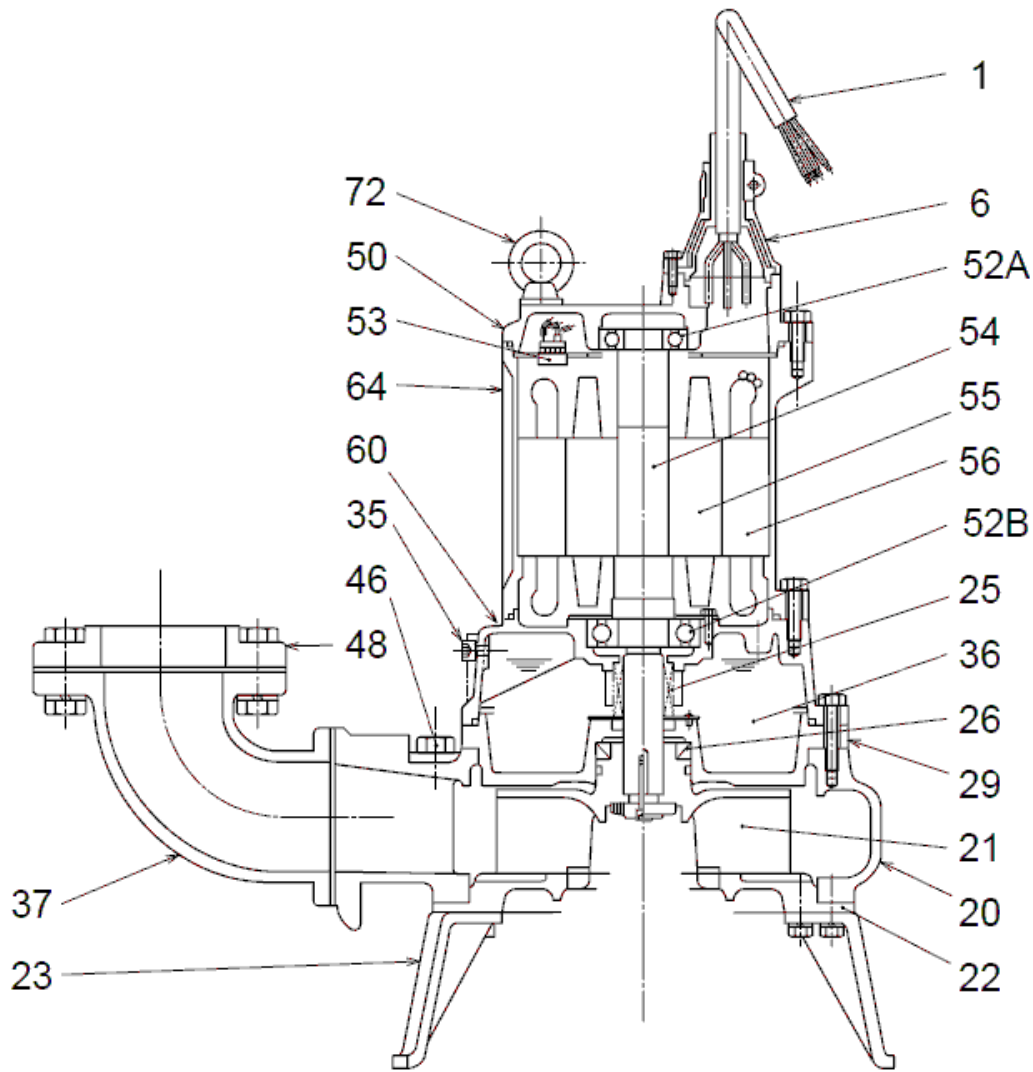
CWL: Continuous running water level
LWL: Lowest running water level

 **TSURUMI PUMP**

Tsurumi Europe GmbH
17.10.2018 V.18 / 1.10.2015

Heltorf Str. 14 * 40472 Düsseldorf * Germany
Tel.: +49-211-4179373 sales@tsurumi.eu
Fax: +49-211-417937-480 www.tsurumi.eu

Sectional drawing 100C47.5-53



100C47.5-53

No.	Description	Remark	No.	Description	Remark
1	Cable	10m H07RN-F 4Cx4mm ²	52B	Lower bearing	6311ZZC3
6	Stuffing box	FC200 (EN-GJL-200)	53	Motor Protector 380/400/415V	50Hz KA314-HRXL00 (H.C)
20	Pump casing	FC200 (EN-GJL-200)	54	Shaft	SUS403 (EN-X6Cr13)
21	Impeller	FC20 (EN-GJL-200) + Tungsten carbide	55	Rotor	.
22	Suction cover	FCD700 (EN-GJS-700-2)	56	Stator	.
23	Stand support (3x)	FC200 (EN-GJL-200)	60	Bearing Housing	FC200 (EN-GJL-200)
25	Mechanical seal	H-35A	64	Motor Frame	FC200 (EN-GJL-200)
26	Oil seal	TC608212	72	Eye screw (2x)	Construction steel SS400
29	Oil casing	FC200 (EN-GJL-200)			
35	Oil screw (2x)	SUS304 (EN-X5CrNi18-10)			
36	Lubricant	Turbine oil (ISO VG32)			
37	Discharge bend	FC200 (EN-GJL-200)			
46	Air vent screw	Nylon			
48	Screwed Flange	FC200 (EN-GJL-200)			
50	Motor cover	FC200 (EN-GJL-200)			
52A	Upper bearing	6306ZZC3			