

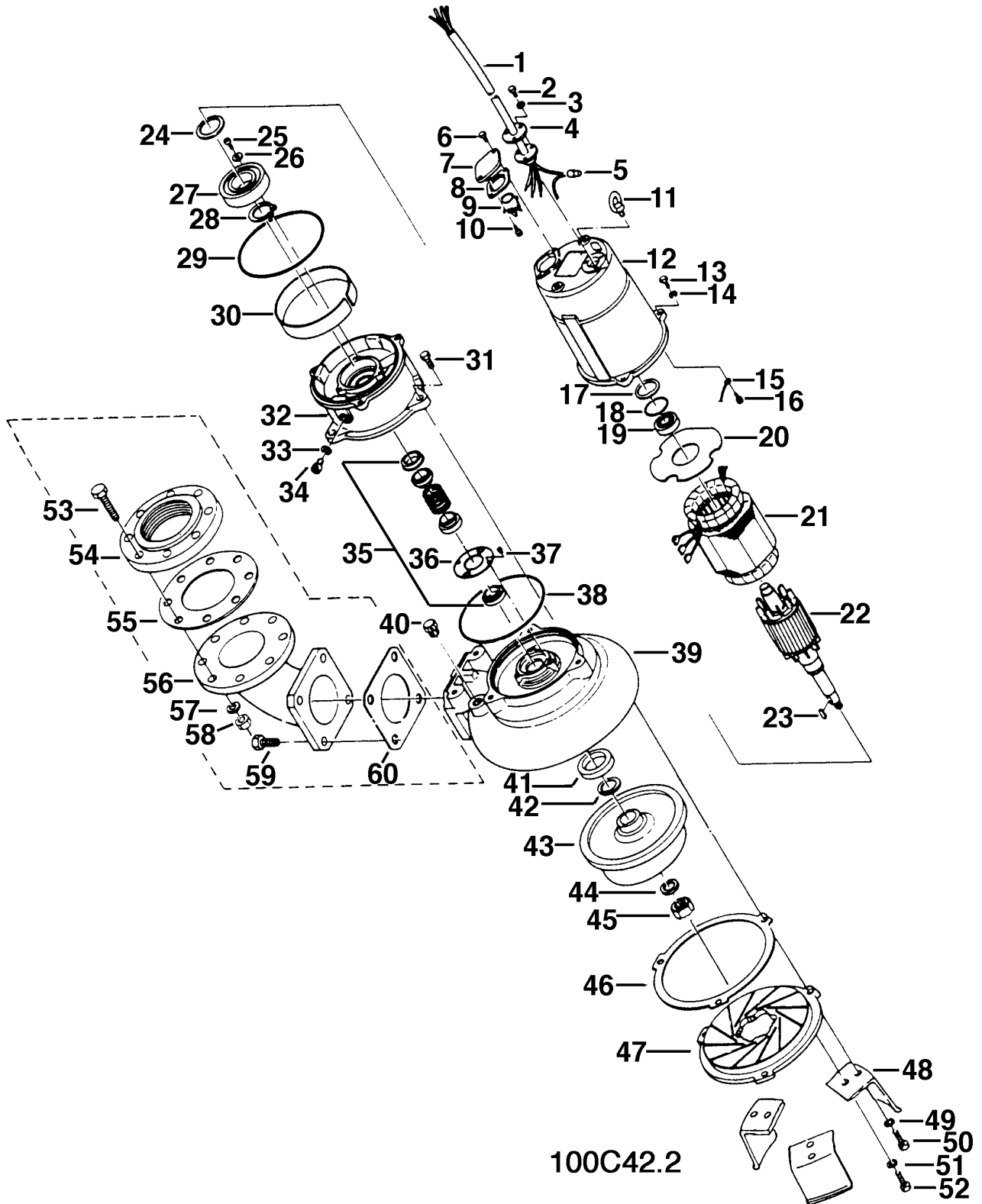
100C42.2

Kontroll-Nr. --

2018-10-17 V.18 / 1.10.2015

100C42.2			
Item	Item no.	Description	Quant.
1	001-TEG-21	Cable Set (10m) H07RN-F4Cx1,5mm ² with gland	1
1	M01-TEG-21	Cable Set (10m) NSSHÖU 4Cx1,5mm ²	1
2	140-021-17	Hex.Bolt M5x20 SUS304 (EN X5CrNi18-10)	3
3	142-422-18	Seal Washer PM5 SUS+NBR	3
4	003-111-20	Gland SUS304 (EN X5CrNi18-10)	1
5	009-146-19	Terminal CE-5 CU	4
6	140-052-17	Hex.Bolt M8x16 SUS304 (EN X5Cr18-10)	2
7	127-195-12	Protector Fixing Plate 22/37-BE2 SUS304 (EN X5CrNi18-10)	1
8	121-446-13	Packing 22/37-BE2 NBR	1
9	053-410-14	Motor Protector 380V-60HZ KA313-GQXL102 (T)	1
10	143-126-12	Pan Screw (w/Spring Washer/Plain Washer) M4x12 SWRM	1
11	072-100-17	Eye Bolt M10 SS	1
12	064-514-13	Motor Frame FC	1
13	140-055-10	Hex.Bolt M8x25 SUS304 (EN X5CrNi18-10)	1
14	142-163-21	Spring Washer M8 SUS316 (DIN 1.4401) Stainless Steel	1
15	009-116-10	Terminal R-2-4 CU	1
16	143-805-34	Pan Screw (w/spring washer /plain washer) M4x6 (SWRM)	1
17	142-196-10	Wave Washer 6205/6304 SK5	1
18	122-367-12	O-Ring 52x3.1 NBR	1
19	052-107-12	Bearing 6304ZZC3	1
19	052-188-17	Bearing (w/O-ring) AC-6304ZZC3	1
20	058-000-46	Lead Wire Protection Plate d66x148x1.6t Bakelite	1
21	056-675-18	Stator	1
22	055-732-11	Rotor (2nd) w/Bearing	1
23	147-081-16	Impeller Key 7x7x22L SUS420 (EN X30Cr13)	1
24	061-170-14	Bearing Collar d35.1xd46x2t SPCC	1
25	143-042-13	Pan Screw M6x10 SWRM	1
26	062-196-19	Bearing Fixing Washer d8xd20.5x2.3t SS	1
27	052-110-18	Bearing 6307ZZC3	1
28	146-022-16	Retaining Ring C35 SK5	1
29	122-333-19	O-Ring (MFrame/Brg.Housing) 170xd3.1 NBR	1
30	071-302-18	Collar 32l SECC	1
31	140-098-15	Hex.Bolt M12x35 SUS304 (EN X5Cr18-10)	1
32	060-454-12	Bearing Housing (FC)	1
33	121-247-12	Packing (Oil Plug) d12.3xd18x2t PE	1
34	035-113-18	Oil Plug M12x14 SUS304 (EN X5Cr18-10)	1
35	025-246-10	Mechanical Seal H-30A SiC+CCBN	1
36, 37	143-070-23	Pan Screw M5x6 SWRM	1
36, 37	030-142-11	Oil Lifter H-30(A)(T) Resin	1
36, 37	143-070-10	Pan Screw M5x6 SWRM	1
36, 37	030-151-13	Seal Stopper H-30(A)(T) SPCC	1
38	122-246-14	O-Ring (Brg.Housing/O.Casing) 180xd3.1 NBR	1
39	020-526-12	Pump Casing 22-BE2/CE2 FC	1
40	046-107-13	Air Release Valve PT-1/2 Nylon	1
41	026-111-18	Oil Seal TC-456812 NBR	1
42	040-107-28	Impeller Shim d25.2xd38x0.3t SUS304 (EN X5CrNi18-10)	1
43	021-L81-13	Impeller (50HZ) 100C42.2-52 FC	1
45	141-009-12	Hex.Nut M20 SUS304 (EN X5CrNi18-10) Stainless Steel	1
46	120-104-13	Packing d230.5xd258x0.3t M-Sheet	1
47	022-738-15	Suction Cover 22/37-CE3 FC	1
48	023-469-15	Pump Stand 22/37-BE3 SPHC	3
49	142-165-10	Spring Washer M12 SUS304 (EN X5Cr18-10)	3
50	140-098-15	Hex.Bolt M12x35 SUS304 (EN X5Cr18-10)	3
51	142-163-21	Spring Washer M8 SUS316 (DIN 1.4401) Stainless Steel	3
52	140-054-19	Hex.Bolt M8x20 SUS304 (EN X5Cr18-10)	3
53	140-130-36	Hex.Bolt M16x70 SWRM	8
54	048-000-39	Screwed Flange JIS10Kx80mm(PT) Grey Iron Casting	1
54	048-000-40	Screwed Flange JIS10Kx100mm FC	1
55	121-105-33	Packing JIS10Kx80mm NR	1
55	121-106-34	Packing JIS10Kx100mm NR	1
56	037-169-15	Discharge Bend 80x80mm Grey Iron Casting	1
56	037-170-19	Discharge Bend 80x100mm FC	1
57	142-166-37	Spring Washer M16 SWRH	8
58	141-008-11	Hex.Nut M16 SUS304 (EN X5CrNi18-10)	8
59	140-124-11	Hex.Bolt M16x40 SUS304 (EN X5Cr18-10)	4
60	121-152-19	Packing 145mm2(P.C.145) NBR	1
	173-474-11	Packing & O-Ring Set	1
	##oilVG32	ml Turbine Oil ISO VG32	1300

Exploded View 100C42.2



100C42.2