

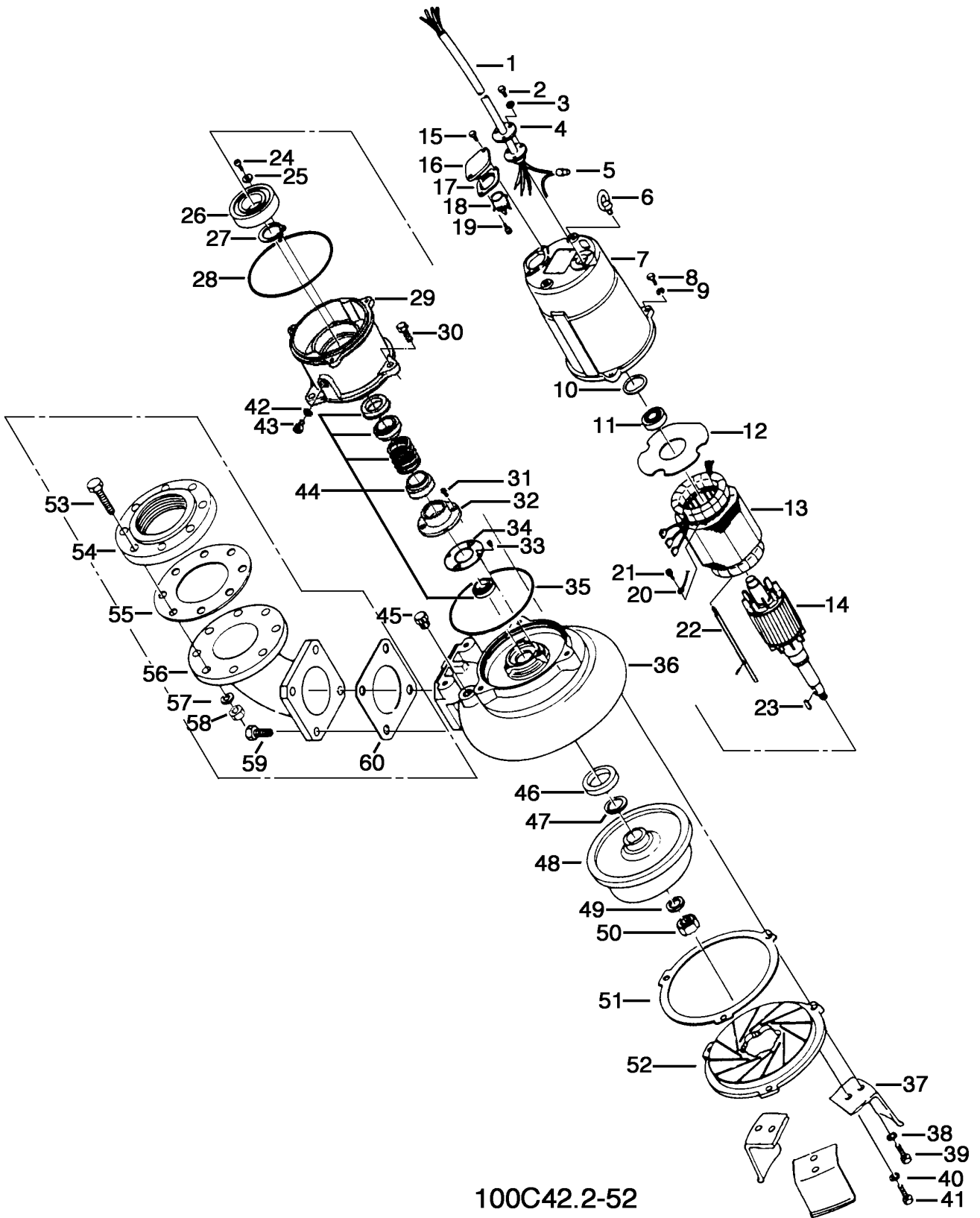
**100C42.2-52**

Kontroll-Nr. --

2019-02-2C V.01.02.2019

Pos.no	Item no.	Description	Quant.	UP
		Dichtungs-Oring-Satz	1	Price on req.
1	001-TEG-21	Cabtyre Cable Set (10m) H07RN-F4Cx1,5mm <sup>2</sup> with gland	1	Price on req.
1	M01-TEG-21	Cabtyre Cable Set (10m) NSSHÖU 4Cx1,5mm <sup>2</sup>	1	Price on req.
	061-TEG-07	Cable Repair Kit	1	Price on req.
2	140-021-17	Hex.Bolt M5x20 SUS304 (EN X5CrNi18-10)	3	Price on req.
3	142-422-18	Seal Washer PM-5 SUS+NBR	3	Price on req.
4	003-111-20	Gland SUS304 (EN X5CrNi18-10)	1	Price on req.
5	009-146-19	Terminal CE-5 CU	4	Price on req.
6	072-100-20	Eye Bolt M10 SUS304	2	Price on req.
7	064-509-15	Motor Frame Grey Iron Casting	1	Price on req.
8	140-055-10	Hex.Bolt M8x25 SUS304	3	Price on req.
9	142-163-18	Spring Washer M8 SUS304	3	Price on req.
10	142-196-10	Wave Washer 6205/6304 SK5	1	Price on req.
11	052-188-17	Bearing (w/O-ring) AC-6304ZZC3	1	Price on req.
12	058-000-46	Lead Wire Protection Plate d66xd148x1.6t Bakelite	1	Price on req.
13	056-002-45	Stator 380/400/415V-50HZ	1	Price on req.
14	055-608-17	Rotor	1	Price on req.
15	140-053-18	Hex.Bolt M8x18 SUS304 (EN X5CrNi18-10) Stainless Steel	2	Price on req.
16	127-107-17	Protector Fixing Plate 22/37-BE2 SUS304 (EN X5CrNi18-10)	1	Price on req.
17	121-446-13	Packing 22/37-BE2 NBR	1	Price on req.
18	053-421-18	Motor Protector 380/400/415V-50Hz KA313-GQXL102 (T.C)	1	Price on req.
19	143-087-23	Pan Screw (w/Spring Washer) M4x10 SWRM	2	Price on req.
20	141-004-59	Hex.Nut M6 SWRM	1	Price on req.
21	009-159-15	Terminal R-2-6 CU	1	Price on req.
22	129-004-19	Stopper M6x160(20/66) SS	1	Price on req.
23	147-081-16	Impeller Key 7x7x22L SUS420 (EN X30Cr13)	1	Price on req.
24	143-042-13	Pan Screw M6x10 SWRM	3	Price on req.
25	062-196-19	Bearing Fixing Washer d8xd20.5x2.3t SS	3	Price on req.
26	052-110-18	Bearing 6307ZZC3	1	Price on req.
27	146-022-16	Retaining Ring C35 SK5	1	Price on req.
28	122-333-19	O-Ring 170xd3.1 NBR	1	Price on req.
29	060-373-16	Bearing Housing Grey Iron Casting	1	Price on req.
30	140-098-15	Hex.Bolt M12x35 SUS304	3	Price on req.
31	143-070-23	Pan Screw M5x6 SWRM	2	Price on req.
32	030-142-11	Oil Lifter H-30(A)(T) Resin	1	Price on req.
33	143-070-10	Pan Screw M5x6 SWRM	3	Price on req.
34	030-151-13	Seal Stopper H-30(A)(T) SPCC	1	Price on req.
35	122-246-14	O-Ring (Brg.Housing/O.Casing) 180xd3.1 NBR	1	Price on req.
36	020-526-12	Pump Casing 22-BE2/CE2 FC	1	Price on req.
37	023-469-15	Pump Stand 22/37-BE3 SPHC	3	Price on req.
38	142-165-10	Spring Washer M12 SUS304	3	Price on req.
39	140-098-15	Hex.Bolt M12x35 SUS304	3	Price on req.
40	142-163-18	Spring Washer M8 SUS304	3	Price on req.
41	140-054-19	Hex.Bolt M8x20 SUS304 (EN X5Cr18-10)	3	Price on req.
42	121-247-12	Packing d12.3xd18x2t PE	1	Price on req.
43	035-113-18	Oil Plug M12x14 SUS304	1	Price on req.
44	025-001-09	Mechanical Seal H-30A SIC+CCBN	1	Price on req.
45	046-107-13	Air Release Valve PT-1/2 Nylon	1	Price on req.
46	026-111-18	Oil Seal TC-456812 NBR	1	Price on req.
47	040-107-28	Impeller Shim d25.2xd38x0.3t SUS304	1	Price on req.
48	021-L81-13	Impeller (50HZ) 100C42.2-52 FC	1	Price on req.
49	142-168-13	Spring Washer M20 SUS304	1	Price on req.
50	141-009-12	Hex.Nut M20 SUS304 (EN X5CrNi18-10) Stainless Steel	1	Price on req.
51	120-104-13	Packing d230.5xd258x0.3t M-Sheet	1	Price on req.
52	022-738-15	Suction Cover 22/37-CE3 FC	1	Price on req.
53	140-000-56	Hex.Bolt M16x75 SWRM	8	Price on req.
54	048-000-40	Screwed FlangeJIS10Kx100mm FC	1	Price on req.
55	121-106-34	Packing JIS10Kx100mm NR	1	Price on req.
56	037-170-19	Discharge Bend 80x100mm FC	1	Price on req.
57	142-166-37	Spring Washer M16 SWRH	8	Price on req.
58	141-008-11	Hex.Nut M16 SUS304 (EN X5CrNi18-10)	8	Price on req.
59	140-124-11	Hex.Bolt M16x40 SUS304 (EN X5Cr18-10)	4	Price on req.
60	121-152-19	Packing 145mm2(P.C.145) NBR	1	Price on req.
	173-444-12	Packing & O-Ring Set	1	Price on req.
	##oilVG32	ml Turbine Oil ISO VG32	1250	Price on req.

# Exploded View 100C42.2-52



100C42.2-52