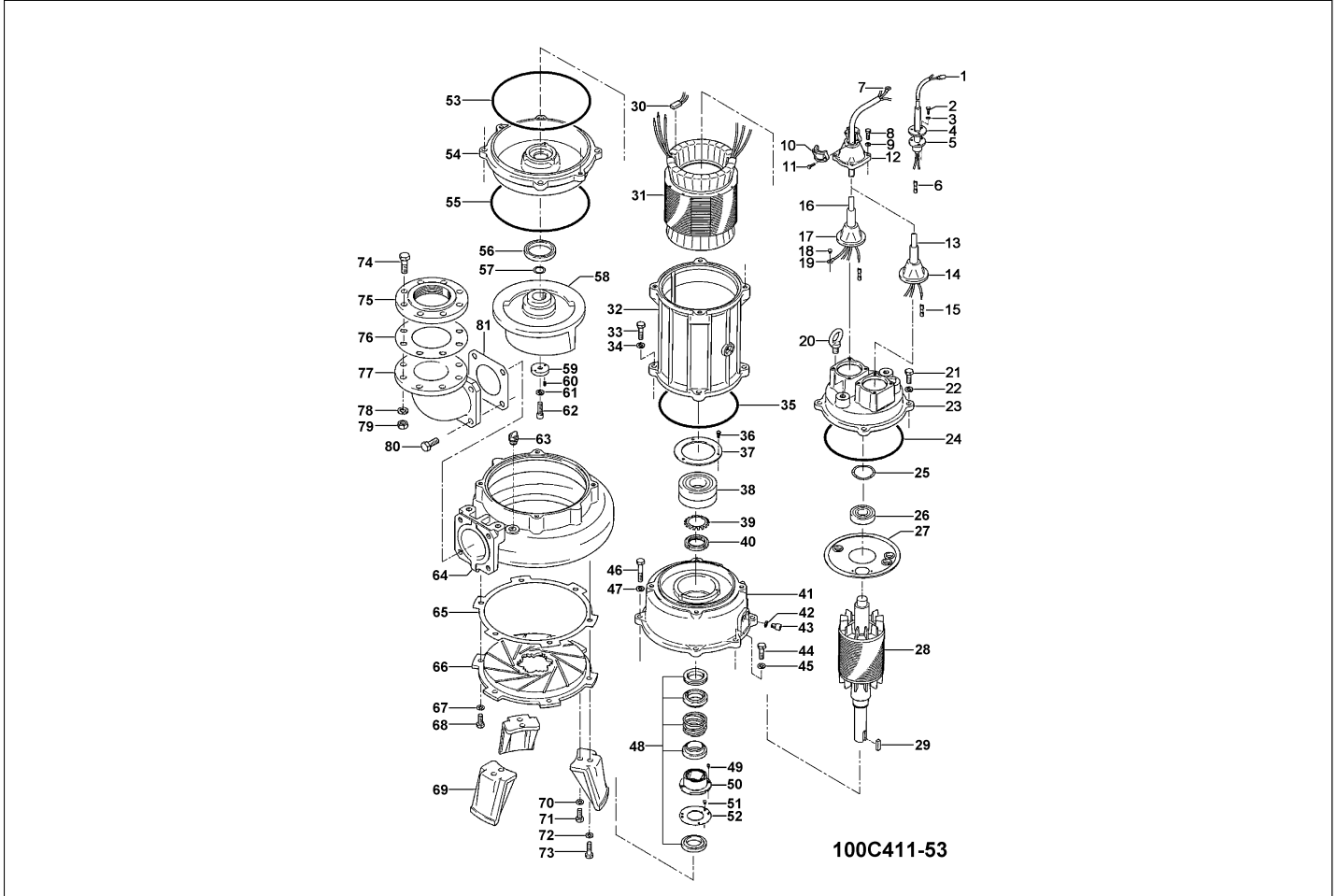


**100C411-53**

Kontroll-Nr. --

2024-03-28 V.01.02.2023

Pos.no	Item no.	Description	Qty.	UP / EUR
--------	----------	-------------	------	----------



Pos.no	Item no.	Description	Qty.	UP / EUR
1.1.1	173-001-22	Packing & O-Ring Set	1	
1	009-127-14	Terminal R-1.25-4 CU	2	
2	140-018-11	Hex.Bolt M5x15 SUS304 (EN X5CrNi18-10) Stainless Steel	3	
3	142-422-18	Seal Washer PM-5 SUS+NBR	3	
4	003-111-20	Gland SUS304 (EN X5CrNi18-10)	1	
5	T01-TEG-99	Cabletyre Cable Set (10m) H07RN-F 3Cx1,5mm2	1	
6	009-274-17	Compression type Terminal TMNB-2.2(Insulated) CU	2	
7	009-131-11	Terminal 380V-50Hz R-5.5-6 CU	7	
8	140-055-10	Hex.Bolt M8x25 SUS304	8	
9	142-163-18	Spring Washer M8 SUS304	8	
10	070-107-18	Cable Clamp FC	2	
11	140-035-14	Hex.Bolt M6x20 SUS304 (EN X5CrNi18-10) Stainless	4	
12	006-126-14	Stuffing Box No.2 FC	2	
13	001-TEG-09	Cabletyre Cable Set (20m) H07RN-F4Cx2,5mm² without stuffing box	1	
13	M01-TEG-09	Cabletyre Cable Set (20m) NSSHÖU 4Cx2,5mm²	1	
14	008-136-13	Mould Cover KR2-1 CR	1	
15	009-275-18	Compression type Terminal TGNB-5.5(Insulated) CU	6	
16	001-TEG-09	Cabletyre Cable Set (20m) H07RN-F4Cx2,5mm² without stuffing box	1	
16	M01-TEG-09	Cabletyre Cable Set (20m) NSSHÖU 4Cx2,5mm²	1	
17	008-136-13	Mould Cover KR2-1 CR	1	
18	143-085-21	Pan Screw (w/Spring Washer) M4x6 SWRM	1	
19	009-122-19	Terminal R-3.5-4 CU	1	
20	072-107-14	Eye Bolt M16 SS	2	
	142-399-15	Washer d17xd29x0.1t SUS304 (EN X5CrNi18-10) Stainless Steel	1	
	142-400-10	Washer d17xd29x0.3t SUS304 (EN X5CrNi18-10) Stainless Steel	1	
21	140-098-15	Hex.Bolt M12x35 SUS304	4	
22	142-165-10	Spring Washer M12 SUS304 (EN X5CrNi18-10) Stainless Steel	4	Price on req.
23	050-000-80	Motor Bracket FC	1	Price on req.
24	122-173-19	O-Ring V-225 NBR	1	
25	142-000-08	Wave Washer #6306B(d71xd59x4.0t) SK-5	1	
26	052-000-25	Bearing AC-6306ZZC3	1	
27	058-000-09	Lead Wire Protection Plate d80xd224x1.6t (SPHC)	1	
28	055-000-69	Rotor	1	
29	147-011-15	Impeller Key 12x8x40l EN X30Cr13	1	
30	053-310-13	Motor Protector 9700K-76-215 (H)	3	
31	056-B92-16	Stator 380/400/415V-50HZ	1	
32	064-000-12	Motor Frame FC	1	
33	140-100-11	Hex.Bolt M12x45 SUS304 (EN X5CrNi18-10) Stainless Steel	4	Price on req.
34	142-165-10	Spring Washer M12 SUS304 (EN X5CrNi18-10) Stainless Steel	4	Price on req.
35	122-173-19	O-Ring V-225 NBR	1	

**100C411-53**

Kontroll-Nr. --

2024-03-28 V.01.02.2023

Pos.no	Item no.	Description	Qty.	UP / EUR
36	140-032-37	Hex Bolt M6x15 SWRM	3	
37	062-224-17	Bearing Fixing Plate d98xd140x4.5t SS	1	
38	052-141-18	Bearing 6310ZZD2C3	1	
39	142-000-09	Bearing Washer 50x61x74x1.2t Stainless Steel	1	
40	141-000-03	Bearing Nut 70x2.5x11 SUS304 (EN X5CrNi18-10) Stainless Steel	1	
41	060-431-13	Bearing Housing FC	1	
42	121-247-12	Packing d12.3xd18x2t PE	2	
43	035-113-18	Oil Plug M12x14 SUS304 (EN X5CrNi18-10) Stainless Steel	2	Price on req.
44	140-099-16	Hex.Bolt M12x40 SUS304	2	
45	142-165-10	Spring Washer M12 SUS304 (EN X5CrNi18-10) Stainless Steel	2	Price on req.
46	140-104-15	Hex.Bolt M12x65 SUS304 (EN X5CrNi18-10) Stainless Steel	4	
47	142-165-10	Spring Washer M12 SUS304 (EN X5CrNi18-10) Stainless Steel	4	Price on req.
48	025-001-13	Mechanical Seal H-40X(E) SiC	1	
49	143-070-23	Pan Screw M5x6 SWRM	2	
50	030-141-10	Oil Lifter H-40(T) Resin	1	
51	143-070-23	Pan Screw M5x6 SWRM	3	
52	030-149-18	Seal Stopper H-40/45 SPCC	1	
53	122-159-19	O-Ring (Brq.Housing/O.Casing) G-280(279.3xd5.7) NBR	1	
54	029-191-11	Oil Casinq 110-CE2 FC	1	
55	122-159-19	O-Ring (Brq.Housing/O.Casing) G-280(279.3xd5.7) NBR	1	
56	026-117-14	Oil Seal TC-709212 NBR	1	
57	040-124-18	Impeller Shim d25.2xd34x0.3t SUS304 (EN X5CrNi18-10) Stainless Steel	1	
58	021-839-14	Impeller (50Hz) FC	1	
59	144-530-16	Hex. Socket Cap Screw M6x15 SUS304 (EN X5CrNi18-10) Stainless Steel	2	
60	142-202-10	Impeller Fixing Washer d13xd50x15t SUS304 (EN X5CrNi18-10) Stainless Steel	1	
61	142-000-22	Spring Washer M12(CP) SUS304 (EN X5CrNi18-10) Stainless	1	
62	140-304-17	Hex. Socket Cap Bolt M12x45 SUS304 (EN X5CrNi18-10) Stainless Steel	1	
63	046-107-13	Air Release Valve PT-1/2 Nylon	1	
64	020-539-18	Pump Casing 110-USH/USL FC	1	
65	120-102-11	Packing (S.Cover) d301xd328x0.3t PE	1	
66	022-330-26	Suction Cover 55/110-CE2 FCD	1	
67	142-165-10	Spring Washer M12 SUS304 (EN X5CrNi18-10) Stainless Steel	3	Price on req.
68	140-097-14	Hex.Bolt M12x30 SUS304	3	
69	023-288-18	Pump Stand 55/110-CE2 FC	3	
70	142-165-10	Spring Washer M12 SUS304 (EN X5CrNi18-10) Stainless Steel	3	Price on req.
71	140-097-14	Hex.Bolt M12x30 SUS304	3	
72	142-165-10	Spring Washer M12 SUS304 (EN X5CrNi18-10) Stainless Steel	3	Price on req.
73	140-099-16	Hex.Bolt M12x40 SUS304	3	
74	140-000-56	Hex.Bolt M16x75 SWRM	8	
74	140-130-36	Hex.Bolt M16x70 SWRM	8	
75	048-000-40	Screwed FlangeJIS10Kx100mm FC	1	
75	048-000-39	Screwed Flange JIS10Kx80mm(PT) Grey Iron Casting	1	
76	121-106-34	Packing JIS10Kx100mm NR	1	
76	121-105-33	Packing JIS10Kx80mm NR	1	
77	037-000-32	Discharge Bend(For 100mm)100x100mm(S-4) FC	1	
77	037-155-18	Discharge Bend 100x80mm(S-4B) FC	1	
78	142-166-37	Spring Washer M16 SWRH	8	
79	141-008-11	Hex.Nut M16 SUS304 (EN X5CrNi18-10)	8	
80	140-124-11	Hex.Bolt M16x40 SUS304 (EN X5Cr18-10)	4	
81	121-153-10	Packing 160mm2(P.C.165) NBR	1	
	173-001-22	Packing & O-Ring Set	1	
	##oilVG32	ml Turbine Oil ISO VG32	6400	Price on req.
	095-000-35	Chain 9mm(10L) SS	1	Price on req.
	011-000-16	Shackle 12mm SS	3	
	095-176-28	Chain 9mmx5m SS	1	
	183-013-19	Impeller Puller BE Type No.13 Z'	1	