



Quotation

Version-no.

Page:
1

Company name
Department
Contact person
Phone no.
Fax-no.
Email address

Pos.n.	Qty.	Description	Item no.	UP / EUR	TP / EUR
1		Spare parts		Price on req	Price on req.

Total Price **Price on req.**

Projektnummer

Referenz

Erstelldatum
2024-03-21

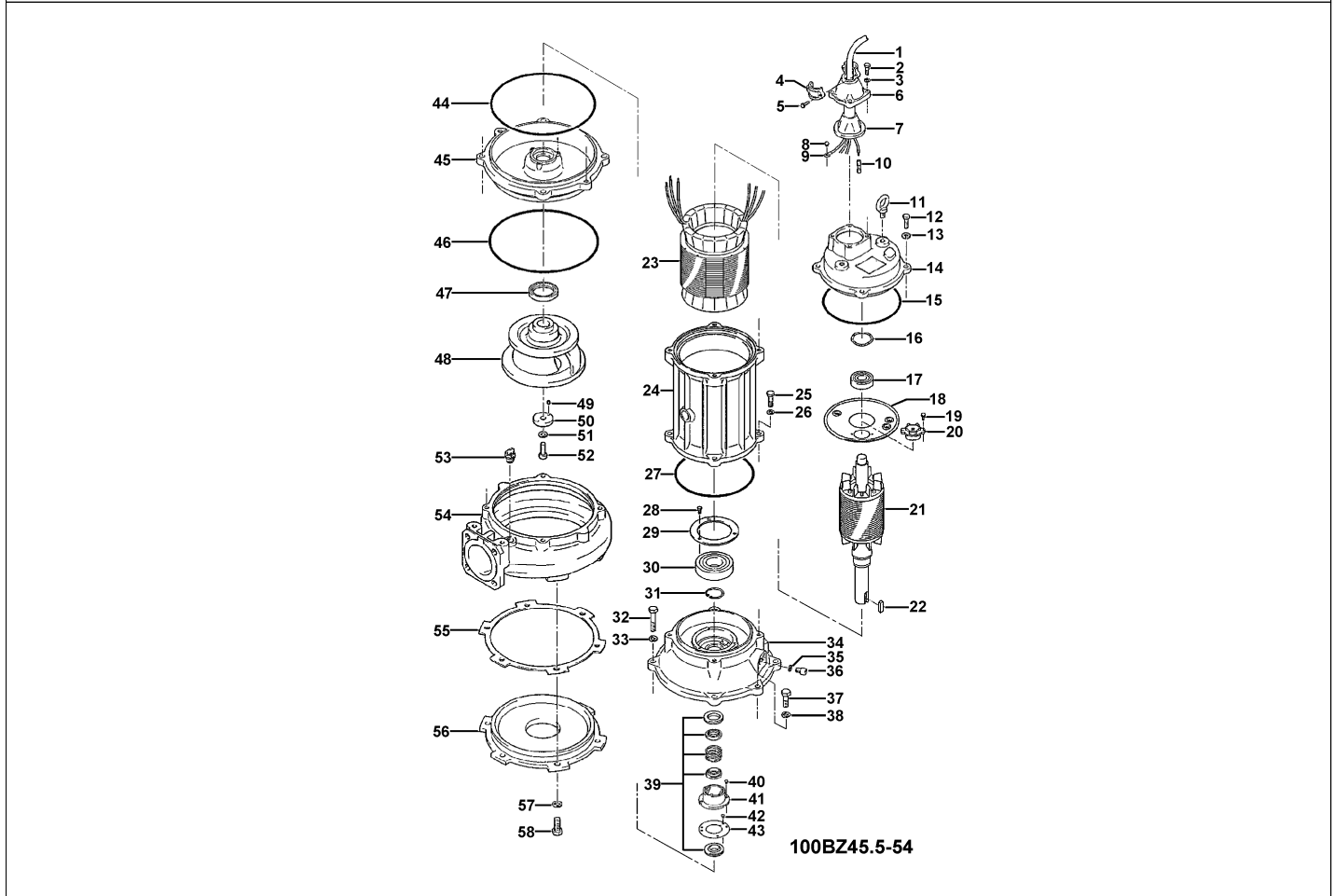
Last update
2024-03-21

100BZ45.5-54

Kontroll-Nr. --

2024-03-21 V.01.02.2023

Pos.no	Item no.	Description	Qty.	UP / EUR
--------	----------	-------------	------	----------



1.1.1	173-001-25	Packing & O-Ring Set	1	
1	001-TEG-09	Cabletyre Cable Set (20m) H07RN-F4Cx2,5mm ² without stuffing box	1	
1	M01-TEG-09	Cabletyre Cable Set (20m) NSSHÖU 4Cx2,5mm ²	1	
2	140-055-10	Hex.Bolt M8x25 SUS304	4	
3	142-163-18	Spring Washer M8 SUS304	4	
4	070-107-18	Cable Clamp FC	1	
5	140-035-14	Hex.Bolt M6x20 SUS304 (EN X5CrNi18-10) Stainless	2	
6	006-126-14	Stuffing Box No.2 FC	1	
7	008-136-13	Mould Cover KR2-1 CR	1	
8	143-085-21	Pan Screw (w/Spring Washer) M4x6 SWRM	1	
9	009-122-19	Terminal R-3.5-4 CU	1	
10	009-275-18	Compression type Terminal TGNB-5.5(Insulated) CU	3	
11	072-102-48	Eye Bolt M12 SS	2	
	142-397-13	Washer d13xd24x0.1t SUS304 (EN X5CrNi18-10) Stainless Steel	1	
	142-398-14	Washer d13xd24x0.3t SUS304 (EN X5CrNi18-10) Stainless Steel	1	
12	140-078-19	Hex.Bolt M10x30 SUS304	4	
13	142-164-19	Spring Washer M10 SUS304	4	
14	050-000-78	Motor Bracket FC	1	Price on req.
15	122-151-11	O-Ring G-205 (NBR)	1	
16	142-000-07	Wave Washer #6305(d62) SK-5	1	
17	052-000-21	Bearing AC-6305ZZC3	1	Price on req.
18	058-184-11	Lead Wire Protection Plate d90xd224x1.6t SPHC	1	
19	143-126-12	Pan Screw (w/Spring Washer/Plain Washer) M4x12 SWRM	2	
20	053-513-18	Motor Protector 380/400/415V-50Hz KA314-HMXL00 (H.C)	1	
21	055-000-67	Rotor	1	
22	147-067-16	Impeller Key 10x8x32l Stainless Steel	1	
23	056-C12-13	Stator 380/400/415V-50HZ	1	
24	064-000-11	Motor Frame FC	1	
25	140-079-10	Hex.Bolt M10x40 SUS304 (EN X5Cr18-10)	4	
26	142-164-19	Spring Washer M10 SUS304	4	
27	122-151-11	O-Ring G-205 (NBR)	1	
28	140-032-37	Hex.Bolt M6x15 SWRM	3	
29	062-223-16	Bearing Fixing Plate d92xd130x4.5t SS	1	
30	052-001-08	Bearing 6309ZZC3	1	
31	146-027-11	Retaining Ring C45 SK5	1	
32	140-104-15	Hex.Bolt M12x65 SUS304 (EN X5CrNi18-10) Stainless Steel	4	
33	142-165-10	Spring Washer M12 SUS304 (EN X5CrNi18-10) Stainless Steel	4	Price on req.
34	060-429-18	Bearing Housing FC	1	
35	121-247-12	Packing d12.3xd18x2t PE	2	
36	035-113-18	Oil Plug M12x14 SUS304 (EN X5CrNi18-10) Stainless Steel	2	Price on req.

100BZ45.5-54

Kontroll-Nr. --

2024-03-21 V.01.02.2023

Pos.no	Item no.	Description	Qty.	UP / EUR
37	140-099-16	Hex.Bolt M12x40 SUS304	2	
38	142-165-10	Spring Washer M12 SUS304 (EN X5CrNi18-10) Stainless Steel	2	Price on req.
39	025-001-11	Mechanical Seal H-35A SiC+CCBN	1	
40	143-070-23	Pan Screw M5x6 SWRM	2	
41	030-156-18	Oil Lifter H-35(A)(T) Resin	1	
42	143-070-23	Pan Screw M5x6 SWRM	3	
43	030-150-12	Seal Stopper H-35(A)(T) SPCC	1	
44	122-159-19	O-Ring (Brq.Housing/O.Casing) G-280(279.3xd5.7) NBR	1	
45	029-187-14	Oil Casing 100-5.5/7.5-4B2 FC	1	
46	122-159-19	O-Ring (Brq.Housing/O.Casing) G-280(279.3xd5.7) NBR	1	
47	026-115-12	Oil Seal TC-608212 NBR	1	
48	021-A01-12	Impeller 50Hz 100BZ45.5-52 (FC)	1	Price on req.
49	144-530-16	Hex. Socket Cap Screw M6x15 SUS304 (EN X5CrNi18-10) Stainless Steel	2	
50	142-202-10	Impeller Fixing Washer d13xd50x15t SUS304 (EN X5CrNi18-10) Stainless Steel	1	
51	142-000-22	Spring Washer M12(CP) SUS304 (EN X5CrNi18-10) Stainless	1	
52	140-304-17	Hex. Socket Cap Bolt M12x45 SUS304 (EN X5CrNi18-10) Stainless Steel	1	
53	046-107-13	Air Release Valve PT-1/2 Nylon	1	
54	020-858-16	Pump Casing 100-5.5-4BG FC	1	
55	120-102-11	Packing (S.Cover) d301xd328x0.3t PE	1	
56	022-656-21	Suction Cover 100-5.5/7.5-4BG FC	1	
57	142-165-10	Spring Washer M12 SUS304 (EN X5CrNi18-10) Stainless Steel	3	Price on req.
58	140-097-14	Hex.Bolt M12x30 SUS304	3	
59	173-001-25	Packing & O-Ring Set	1	
60	##oilVG32	ml Turbine Oil ISO VG32	4300	Price on req.