



Quotation

Version-no.

Page:
1

Company name
Department
Contact person
Phone no.
Fax-no.
Email address

Pos.n.	Qty.	Description	Item no.	UP / EUR	TP / EUR
1		Spare parts		Price on req	Price on req.

Total Price **Price on req.**

Projektnummer

Referenz

Erstelldatum
2024-03-21

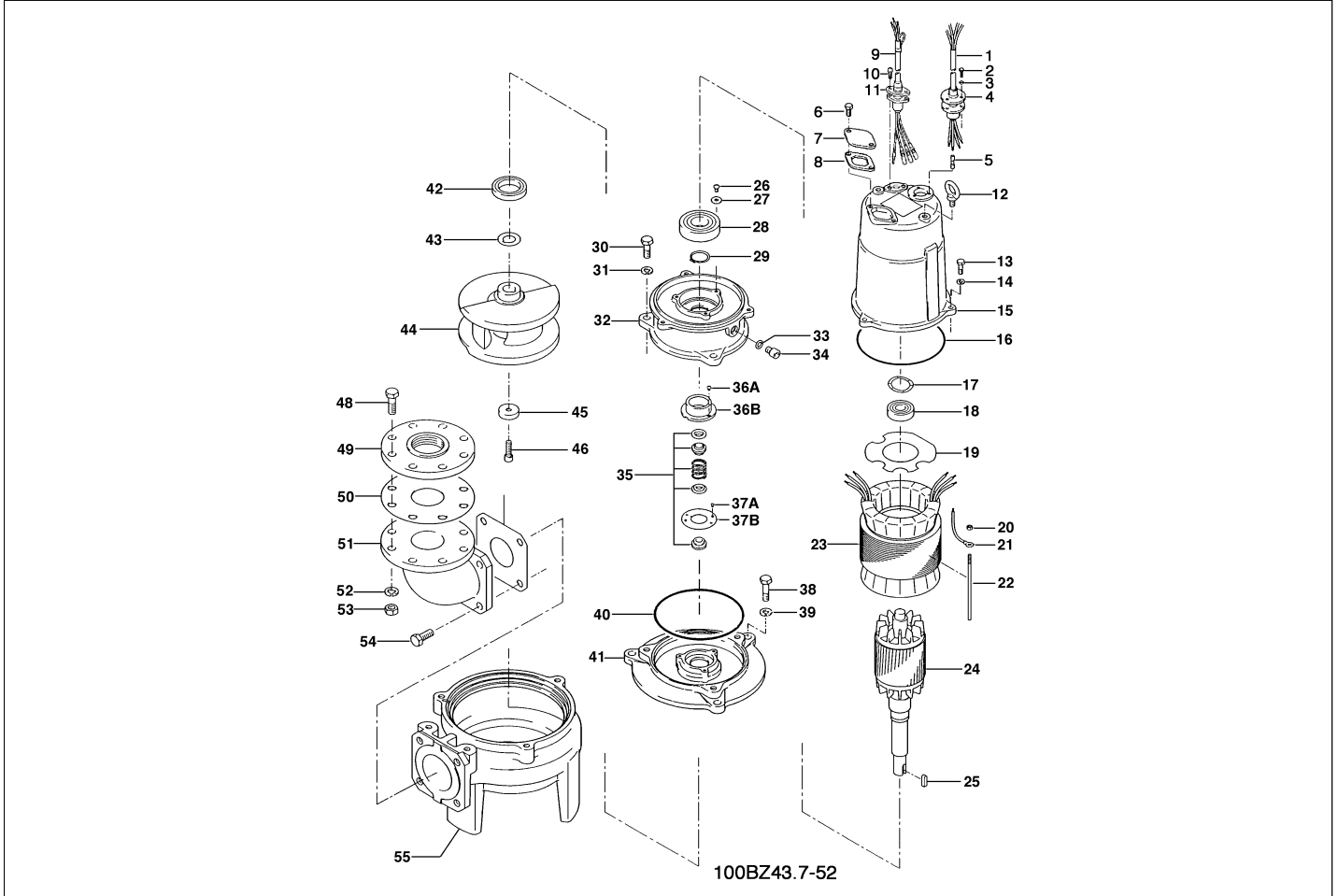
Last update
2024-03-21

100BZ43.7-52

Kontroll-Nr. --

2024-03-21 V.01.02.2023

Pos.no	Item no.	Description	Qty.	UP / EUR
--------	----------	-------------	------	----------



Pos.no	Item no.	Description	Qty.	UP / EUR
1.1.1	173-555-17	Packing & O-Ring Set	1	107,87
1	001-TEG-21	Cabtyre Cable Set (10m) H07RN-F4Cx1,5mm ² with gland	1	233,04
1	M01-TEG-21	Cabtyre Cable Set (10m) NSSHÖU 4Cx1,5mm ²	1	407,85
	061-TEG-07	Cable Repair Kit	1	127,87
2	140-021-17	Hex.Bolt M5x20 SUS304 (EN X5CrNi18-10)	3	1,07
3	142-422-18	Seal Washer PM-5 SUS+NBR	3	4,37
4	003-111-20	Gland SUS304 (EN X5CrNi18-10)	1	13,43
5	009-275-18	Compression type Terminal TGNB-5.5(Insulated) CU	4	3,07
6	140-052-17	Hex.Bolt M8x16 SUS304	2	2,20
7	127-107-17	Protector Fixing Plate 22/37-BE2 SUS304 (EN X5CrNi18-10)	1	243,91
8	121-446-13	Packing 22/37-BE2 NBR	1	5,72
9	T01-TEG-98	Cabtyre Cable Set (10m) H07RN-F 3Cx1,5mm ²	1	202,83
10	140-427-17	Hex.Bolt (w/Plain Washer) M5x15 SUS304 (EN X5CrNi18-10)	2	1,61
11	003-190-10	Gland SUS316 (EN X5Cr-Ni-Mo17-12-2)	2	13,11
12	072-100-20	Eye Bolt M10 SUS304	2	32,60
13	140-055-10	Hex.Bolt M8x25 SUS304	3	2,56
14	142-163-21	Spring Washer M8 SUS316 (DIN 1.4401) Stainless Steel	3	1,08
15	064-000-17	Motor Frame FC	1	2.151,16
16	122-333-19	O-Ring 170xd3.1 NBR	1	23,19
17	142-196-10	Wave Washer 6205/6304 SK5	1	6,73
18	052-188-17	Bearing (w/O-ring) AC-6304ZZC3	1	51,76
19	058-000-46	Lead Wire Protection Plate d66xd148x1.6t Bakelite	1	168,02
20	141-004-33	Hex.Nut M6 SWRM	1	0,60
21	009-159-15	Terminal R-2-6 CU	1	1,44
22	129-003-18	Stopper M6x160(11/20) SS	1	42,85
23	056-001-99	Stator	1	Price on req.
23A	053-	Motor Protector	1	Price on req.
24	055-002-77	Rotor	1	5.167,94
25	147-066-15	Impeller Key 10x8x22L SUS420 (EN X30Cr13)	1	26,88
26	143-042-13	Pan Screw M6x10 SWRM	1	0,45
27	062-196-19	Bearing Fixing Washer d8xd20.5x2.3t SS	1	3,29
28	052-001-08	Bearing 6309ZZC3	1	138,48
29	146-027-11	Retaining Ring C45 SK5	1	16,48
30	140-098-15	Hex.Bolt M12x35 SUS304	1	7,40
31	142-165-10	Spring Washer M12 SUS304 (EN X5CrNi18-10) Stainless Steel	1	Price on req.
32	060-375-18	Bearing Housing Grey Iron Casting	1	756,13
33	121-247-12	Packing d12.3xd18x2t PE	1	1,26
34	035-113-18	Oil Plug M12x14 SUS304 (EN X5CrNi18-10) Stainless Steel	1	Price on req.
35	025-001-11	Mechanical Seal H-35A SIC+CCBN	1	1.018,27
36A	143-070-23	Pan Screw M5x6 SWRM	1	0,45

100BZ43.7-52

Kontroll-Nr. --

2024-03-21 V.01.02.2023

Pos.no	Item no.	Description	Qty.	UP / EUR
36B	030-156-18	Oil Lifter H-35(A)(T) Resin	1	10,76
37A	143-070-23	Pan Screw M5x6 SWRM	1	0,45
37B	030-150-12	Seal Stopper H-35(A)(T) SPCC	1	13,11
38	140-098-15	Hex.Bolt M12x35 SUS304	1	7,40
39	142-165-10	Spring Washer M12 SUS304 (EN X5CrNi18-10) Stainless Steel	1	Price on req.
40	122-246-14	O-Ring (Brq.Housing/O.Casing) 180xd3.1 NBR	1	11,76
41	029-260-12	Oil Casing 80-3.7-4BG Grey Iron Casting	1	934,23
42	026-143-19	Oil Seal TC-507212 NBR	1	26,88
43	040-113-14	Impeller Shim d32.5xd48x0.3t SUS304 (EN X5CrNi18-10)	1	5,72
44	021-M81-14	Impeller (50Hz) 80BZ43.7-52 Grey Iron Casting	1	1.344,24
45	142-366-13	Impeller Fixing Washer d20xd40x16l SUS304 (EN X5CrNi18-10)	1	310,52
46	140-300-13	Hex.Socket Cap Bolt M12x25 SUS304 (EN X5CrNi18-10)	1	15,45
47	121-152-19	Packing 145mm2(P.C.145) NBR	1	12,78
48	140-130-36	Hex.Bolt M16x70 SWRM	1	8,40
49	048-000-40	Screwed FlangeJIS10Kx100mm FC	1	73,33
50	121-106-34	Packing JIS10Kx100mm NR	1	14,79
51	037-170-19	Discharge Bend 80x100mm FC	1	538,52
52	142-166-37	Spring Washer M16 SWRH	1	0,67
53	141-008-11	Hex.Nut M16 SUS304 (EN X5CrNi18-10)	1	9,08
54	140-124-11	Hex.Bolt M16x40 SUS304 (EN X5Cr18-10)	1	13,11
55	020-A46-26	Pump Casing 80BUL43.7-50/60 Grey Iron Casting	1	2.194,47
	173-555-17	Packing & O-Ring Set	1	107,87
	##oilVG32	ml Turbine Oil ISO VG32	1450	Price on req.