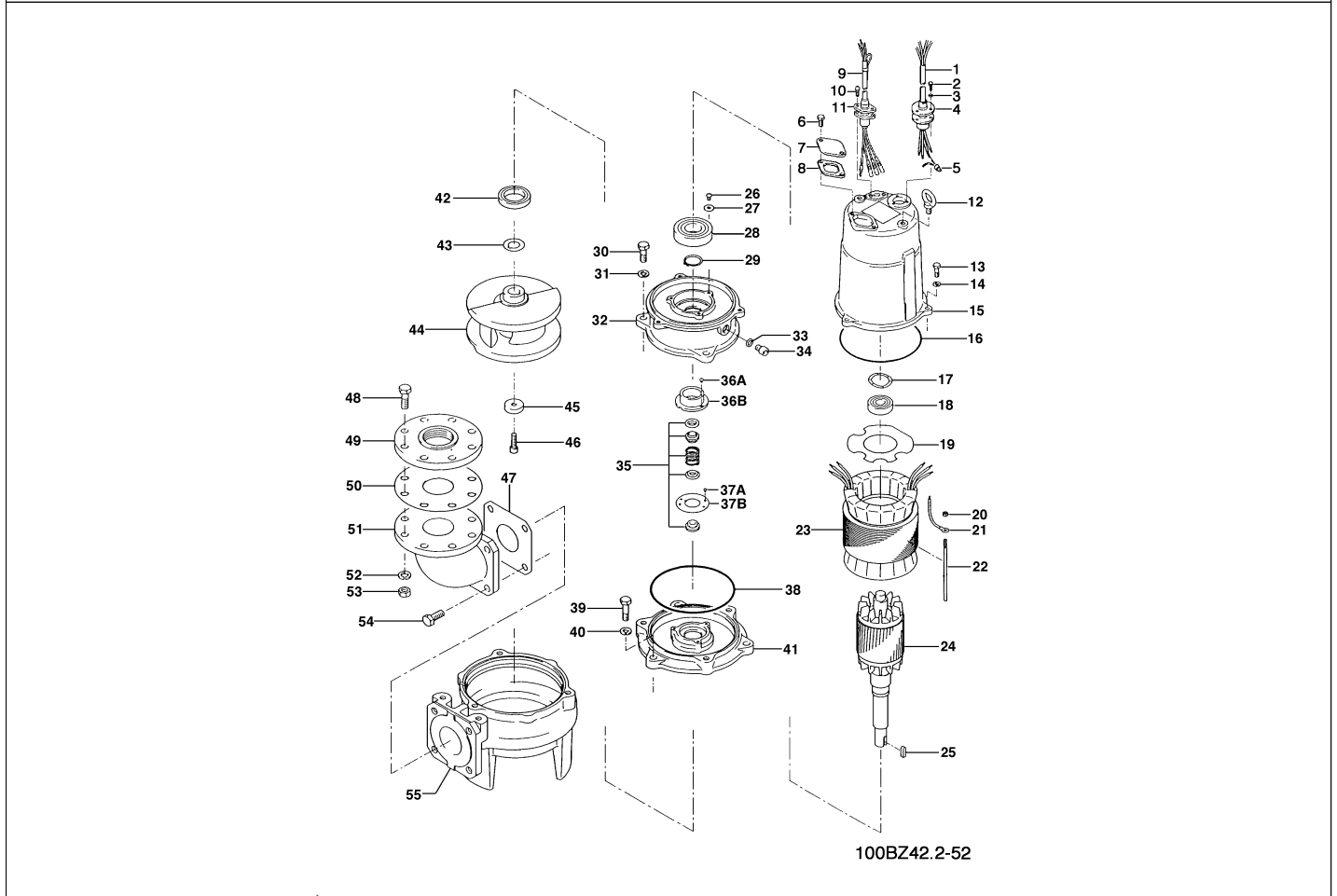


100BZ42.2-52

Kontroll-Nr. --

2024-03-21 V.01.02.2023

Pos.no	Item no.	Description	Qty.	UP / EUR
--------	----------	-------------	------	----------



Pos.no	Item no.	Description	Qty.	UP / EUR
1.1.1	173-554-16	Packing & O-Ring Set	1	
1	001-TEG-21	Cabletyre Cable Set (10m) H07RN-F4Cx1,5mm ² with gland	1	
1	M01-TEG-21	Cabletyre Cable Set (10m) NSSHÖU 4Cx1,5mm ²	1	
	061-TEG-07	Cable Repair Kit	1	
2	140-021-17	Hex.Bolt M5x20 SUS304 (EN X5CrNi18-10)	3	
3	142-422-18	Seal Washer PM-5 SUS+NBR	3	
4	003-111-20	Gland SUS304 (EN X5CrNi18-10)	1	
5	009-105-16	Solderless Terminal 2mm ² CU	4	
6	140-052-17	Hex.Bolt M8x16 SUS304	2	
7	127-107-17	Protector Fixing Plate 22/37-BE2 SUS304 (EN X5CrNi18-10)	1	
8	121-446-13	Packing 22/37-BE2 NBR	1	
9	T01-TEG-98	Cabletyre Cable Set (10m) H07RN-F 3Cx1,5mm ²	1	
10	140-427-17	Hex.Bolt (w/Plain Washer) M5x15 SUS304 (EN X5CrNi18-10)	2	
11	003-190-10	Gland SUS316 (EN X5Cr-Ni-Mo17-12-2)	2	
12	072-100-20	Eye Bolt M10 SUS304	2	
13	140-055-10	Hex.Bolt M8x25 SUS304	3	
14	142-163-21	Spring Washer M8 SUS316 (DIN 1.4401) Stainless Steel	3	
15	064-509-15	Motor Frame Grey Iron Casting	1	
16	122-333-19	O-Ring 170xd3.1 NBR	1	
17	142-196-10	Wave Washer 6205/6304 SK5	1	
18	052-188-17	Bearing (w/O-ring) AC-6304ZZC3	1	
19	058-000-46	Lead Wire Protection Plate d66xd148x1.6t Bakelite	1	
20	141-004-33	Hex.Nut M6 SWRM	1	
21	009-159-15	Terminal R-2-6 CU	1	
22	129-004-19	Stopper M6x160(20/66) SS	1	
23	056-001-99	Stator	1	Price on req.
23A	053-	Motor Protector	1	Price on req.
24	055-790-17	Rotor	1	
25	147-081-16	Impeller Key 7x7x22L SUS420 (EN X30Cr13)	1	
26	143-042-13	Pan Screw M6x10 SWRM	1	
27	062-196-19	Bearing Fixing Washer d8xd20.5x2.3t SS	1	
28	052-110-18	Bearing 6307ZZC3	1	
29	146-022-16	Retaining Ring C35 SK5	1	
30	140-098-15	Hex.Bolt M12x35 SUS304	1	
31	142-165-10	Spring Washer M12 SUS304 (EN X5CrNi18-10) Stainless Steel	1	Price on req.
32	060-373-16	Bearing Housing Grey Iron Casting	1	
33	121-247-12	Packing d12.3xd18x2t PE	1	
34	035-113-18	Oil Plug M12x14 SUS304 (EN X5CrNi18-10) Stainless Steel	1	Price on req.
35	025-001-02	Mechanical Seal H-30T(T) SIC	1	
36A	143-070-23	Pan Screw M5x6 SWRM	1	

100BZ42.2-52

Kontroll-Nr. --

2024-03-21 V.01.02.2023

Pos.no	Item no.	Description	Qty.	UP / EUR
36B	030-142-11	Oil Lifter H-30(A)(T) Resin	1	
37A	143-070-23	Pan Screw M5x6 SWRM	1	
37B	030-151-13	Seal Stopper H-30(A)(T) SPCC	1	
38	122-246-14	O-Ring (Brq.Housing/O.Casing) 180xd3.1 NBR	1	
39	140-098-15	Hex.Bolt M12x35 SUS304	1	
40	142-165-10	Spring Washer M12 SUS304 (EN X5CrNi18-10) Stainless Steel	1	Price on req.
41	029-356-16	Oil Casing 80UR42.2 Grey Iron Casting	1	
42	026-111-18	Oil Seal TC-456812 NBR	1	
43	040-107-28	Impeller Shim d25.2xd38x0.3t SUS304	1	
44	021-M79-19	Impeller (50Hz) 80BZ42.2-52 Grey Iron Casting	1	
45	142-301-10	Impeller Washer M10 SUS304 (EN X5CrNi18-10)	1	
46	140-284-10	Hex.Socket Cap Bolt M10x20 SUS304 (EN X5CrNi18-10)	1	
47	121-152-19	Packing 145mm2(P.C.145) NBR	1	
48	140-130-36	Hex.Bolt M16x70 SWRM	1	
49	048-000-40	Screwed FlangeJIS10Kx100mm FC	1	
50	121-106-34	Packing JIS10Kx100mm NR	1	
51	037-170-19	Discharge Bend 80x100mm FC	1	
52	142-166-37	Spring Washer M16 SWRH	1	
53	141-008-11	Hex.Nut M16 SUS304 (EN X5CrNi18-10)	1	
54	140-124-11	Hex.Bolt M16x40 SUS304 (EN X5Cr18-10)	1	
55	020-A44-24	Pump Casing 80BUL41.5/42.2-50/60 Grey Iron Casting	1	
	173-554-16	Packing & O-Ring Set	1	
	##oilVG32	ml Turbine Oil ISO VG32	1250	Price on req.