

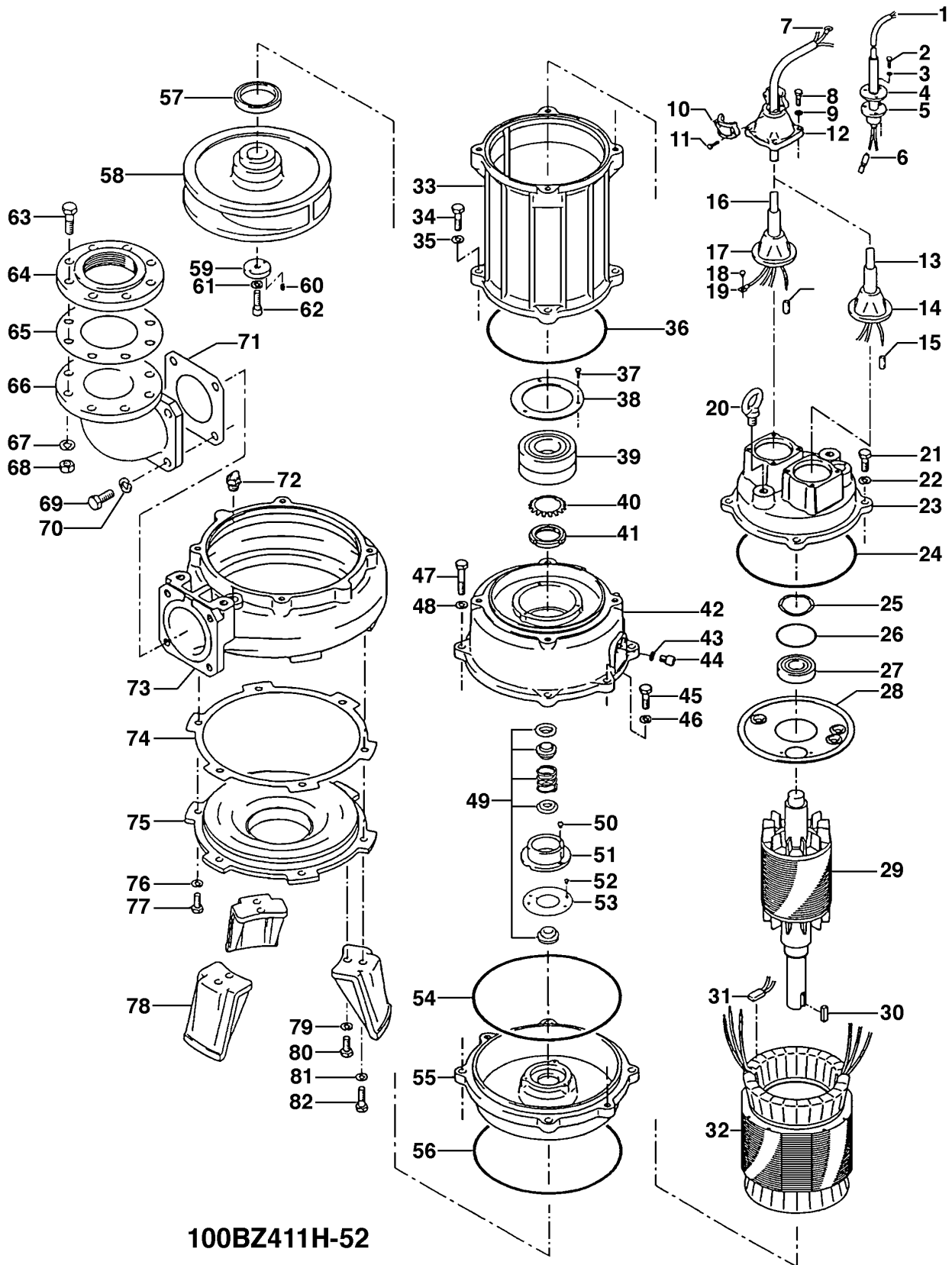
100BZ411H-52

Kontroll-Nr. --

2019-02-2C V.01.02.2019

Pos.no	Item no.	Description	Quant.	UP
		Dichtungs-Oring-Satz	1	Price on req.
1	009-116-10	Terminal R-2-4 CU	2	Price on req.
2	140-018-11	Hex.Bolt M5x15 SUS304 (EN X5CrNi18-10) Stainless Steel	3	Price on req.
3	142-422-18	Seal Washer PM-5 SUS+NBR	3	Price on req.
4	003-111-20	Gland SUS304 (EN X5CrNi18-10)	1	Price on req.
5	T01-TEG-99	Cabtyre Cable Set (10m) H07RN-F 3Cx1,5mm2	1	Price on req.
6	009-274-17	Compression type Terminal TMNB-2.2(Insulated) CU	2	Price on req.
7	009-131-11	Terminal 380V-50Hz R-5.5-6 CU	7	Price on req.
8	140-055-10	Hex.Bolt M8x25 SUS304	8	Price on req.
9	142-163-21	Spring Washer M8 SUS316 (DIN 1.4401) Stainless Steel	8	Price on req.
10	070-107-18	Cable Clamp FC	2	Price on req.
11	140-035-27	Hex.Bolt M6x20 SUS304 (EN X5CrNi18-10) Stainless Steel	4	Price on req.
12	006-126-14	Stuffing Box No.2 FC	2	Price on req.
13	001-TEG-09	Cabtyre Cable Set (20m) H07RN-F4Cx2,5mm ² without stuffing box	1	Price on req.
13	M01-TEG-09	Cabtyre Cable Set (20m) NSSHÖU 4Cx2,5mm ²	1	Price on req.
14	008-136-13	Mould Cover KR2-1 CR	1	Price on req.
15	009-275-18	Compression type Terminal TGNB-5.5(Insulated) CU	6	Price on req.
16	001-TEG-09	Cabtyre Cable Set (20m) H07RN-F4Cx2,5mm ² without stuffing box	1	Price on req.
16	M01-TEG-09	Cabtyre Cable Set (20m) NSSHÖU 4Cx2,5mm ²	1	Price on req.
17	008-136-13	Mould Cover KR2-1 CR	1	Price on req.
18	143-085-34	Pan Screw (w/Spring Washer) M4x6 C3604 (EN CuZn39Pb3)	1	Price on req.
19	009-122-19	Terminal R-3.5-4 CU	1	Price on req.
20	072-107-14	Eye Bolt M16 SS	2	Price on req.
21	140-098-15	Hex.Bolt M12x35 SUS304	4	Price on req.
22	142-165-10	Spring Washer M12 SUS304	4	Price on req.
23	050-437-18	Motor Bracket FC	1	Price on req.
24	122-173-19	O-Ring V-225 NBR	1	Price on req.
25	142-000-08	Wave Washer #6306B(d71xd59x4.0t) SK-5	1	Price on req.
26	122-245-13	O-Ring 71.4xd3.1 NBR	1	Price on req.
27	052-109-14	Bearing 6306ZZC3	1	Price on req.
28	058-000-09	Lead Wire Protection Plate d80xd224x1.6t (SPHC)	1	Price on req.
29	055-000-69	Rotor	1	Price on req.
30	147-005-16	Impeller Key 12x8x40 Stainless Steel	1	Price on req.
31	053-310-13	Motor Protector 9700K-76-215 (H)	3	Price on req.
32	056-B92-16	Stator 380/400/415V-50HZ	1	Price on req.
33	064-000-12	Motor Frame FC	1	Price on req.
34	140-100-11	Hex.Bolt M12x45 SUS304	4	Price on req.
35	142-165-10	Spring Washer M12 SUS304	4	Price on req.
36	122-173-19	O-Ring V-225 NBR	1	Price on req.
37	140-032-37	Hex.Bolt M6x15 SWRM	3	Price on req.
38	062-224-17	Bearing Fixing Plate d98xd140x4.5t SS	1	Price on req.
39	052-141-18	Bearing 6310ZZD2C3	1	Price on req.
40	142-000-09	Bearing Washer 50x61x74x1.2t Stainless Steel	1	Price on req.
41	141-000-03	Bearing Nut 70x2.5x11 SUS304 (EN X5CrNi18-10) Stainless Steel	1	Price on req.
42	060-431-13	Bearing Housing FC	1	Price on req.
43	121-247-12	Packing d12.3xd18x2t PE	2	Price on req.
44	035-113-18	Oil Plug M12x14 SUS304	2	Price on req.
45	140-099-16	Hex.Bolt M12x40 SUS304	2	Price on req.
46	142-165-10	Spring Washer M12 SUS304	2	Price on req.
47	140-104-15	Hex.Bolt M12x65 SUS304 (EN X5CrNi18-10) Stainless Steel	4	Price on req.
48	142-165-10	Spring Washer M12 SUS304	4	Price on req.
49	025-001-13	Mechanical Seal H-40X(E) SiC	1	Price on req.
50	143-070-23	Pan Screw M5x6 SWRM	2	Price on req.
51	030-141-10	Oil Lifter H-40(T) Resin	1	Price on req.
52	143-070-10	Pan Screw M5x6 SWRM	3	Price on req.
53	030-149-18	Seal Stopper H-40/45 SPCC	1	Price on req.
54	122-159-19	O-Ring (Brq.Housing/O.Casing) G-280(279.3xd5.7) NBR	1	Price on req.
55	029-191-11	Oil Casing 110-CE2 FC	1	Price on req.
56	122-159-19	O-Ring (Brq.Housing/O.Casing) G-280(279.3xd5.7) NBR	1	Price on req.
57	026-117-14	Oil Seal TC-709212 NBR	1	Price on req.
58	021-A01-31	Impeller (50Hz) 50Hz(501) FC	1	Price on req.
59	142-202-10	Impeller Fixing Washer d13xd50x15t SUS304 (EN X5CrNi18-10) Stainless Steel	1	Price on req.
60	144-530-16	Hex. Socket Cap Screw M6x15 SUS304 (EN X5CrNi18-10) Stainless Steel	2	Price on req.
61	142-000-22	Spring Washer M12(CP) SUS304 (EN X5CrNi18-10)	1	Price on req.
62	140-304-17	Hex. Socket Cap Bolt M12x45 SUS304 (EN X5CrNi18-10) Stainless Steel	1	Price on req.
63	140-130-36	Hex.Bolt M16x70 SWRM	8	Price on req.
64	048-000-40	Screwed FlangeJIS10Kx100mm FC	1	Price on req.
65	121-106-34	Packing JIS10Kx100mm NR	1	Price on req.
66	037-000-32	Discharge Bend(For 100mm)100x100mm(S-4) FC	1	Price on req.
67	142-166-37	Spring Washer M16 SWRH	8	Price on req.
68	141-008-11	Hex.Nut M16 SUS304 (EN X5CrNi18-10)	8	Price on req.
69	140-124-11	Hex.Bolt M16x40 SUS304 (EN X5Cr18-10)	4	Price on req.
70	142-166-11	Spring Washer M16 SUS304	4	Price on req.
71	121-153-10	Packing 160mm2(P.C.165) NBR	1	Price on req.
72	046-107-13	Air Release Valve PT-1/2 Nylon	1	Price on req.
73	020-628-15	Pump Casing 110-UB4 FC	1	Price on req.
74	120-102-11	Packing (S.Cover) d301xd328x0.3t PE	1	Price on req.
75	022-568-12	Suction Cover 110-UB4 FC	1	Price on req.
76	142-165-10	Spring Washer M12 SUS304	6	Price on req.
77	140-097-14	Hex.Bolt M12x30 SUS304	6	Price on req.
78	023-288-18	Pump Stand 55/110-CE2 FC	3	Price on req.
79	142-165-10	Spring Washer M12 SUS304	3	Price on req.
80	140-097-14	Hex.Bolt M12x30 SUS304	3	Price on req.

Exploded View 100BZ411H-52



100BZ411H-52