

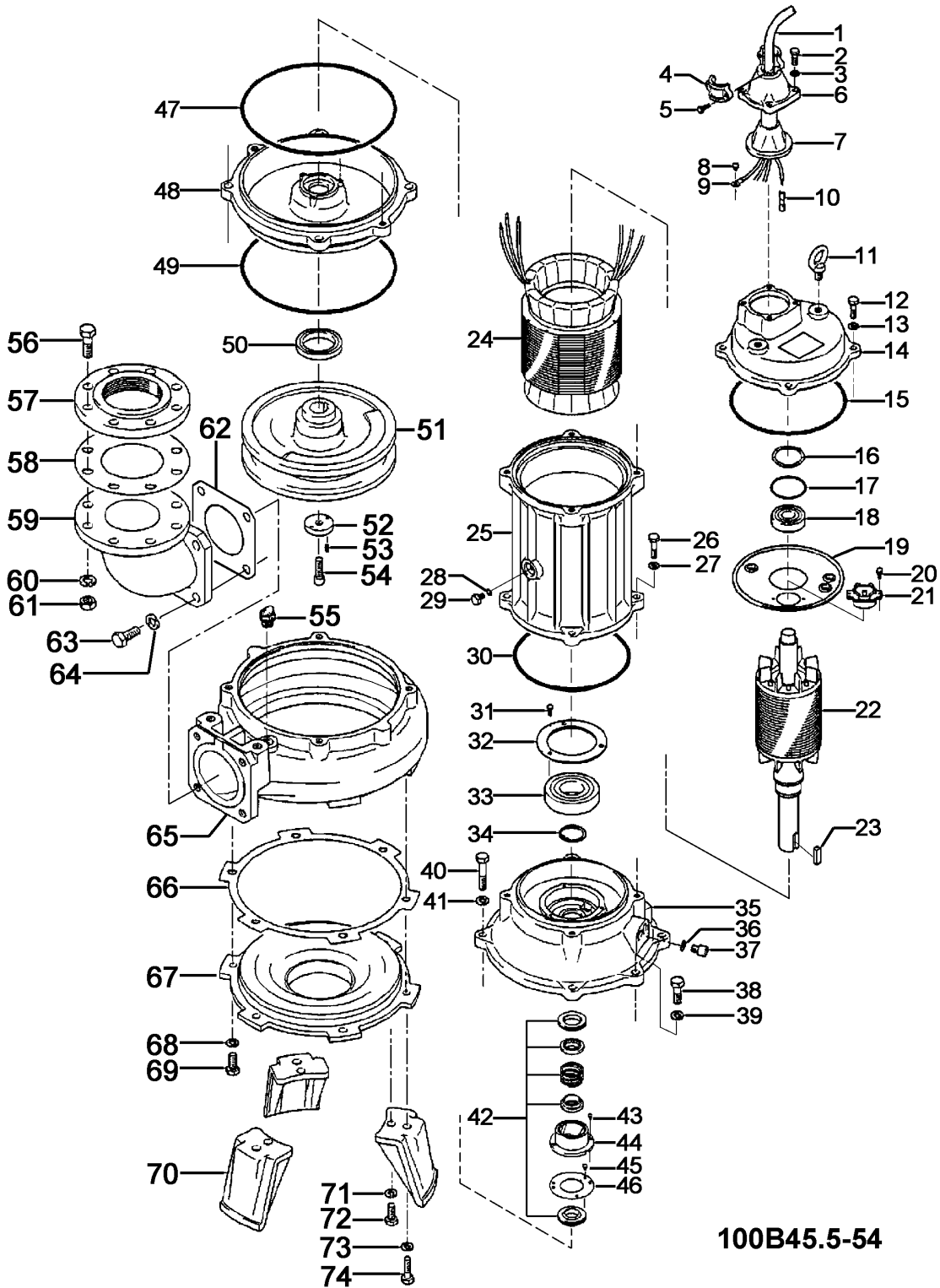
100B45.5-54

Kontroll-Nr. --

2019-02-1€ V.01.02.2019

Pos.no	Item no.	Description	Quant.	UP
		Dichtungs-Oring-Satz	1	Price on req.
1	001-TEG-09	Cabletyre Cable Set (20m) H07RN-F4Cx2,5mm ² without stuffing box	1	Price on req.
1	M01-TEG-09	Cabletyre Cable Set (20m) NSSHÖU 4Cx2,5mm ²	1	Price on req.
2	140-055-10	Hex.Bolt M8x25 SUS304	4	Price on req.
3	142-163-21	Spring Washer M8 SUS316 (DIN 1.4401) Stainless Steel	4	Price on req.
4	070-107-18	Cable Clamp FC	1	Price on req.
5	140-035-27	Hex.Bolt M6x20 SUS304 (EN X5CrNi18-10) Stainless Steel	2	Price on req.
6	006-126-14	Stuffing Box No.2 FC	1	Price on req.
7	008-136-13	Mould Cover KR2-1 CR	1	Price on req.
8	143-085-34	Pan Screw (w/Spring Washer) M4x6 C3604 (EN CuZn39Pb3)	1	Price on req.
9	009-122-19	Terminal R-3.5-4 CU	1	Price on req.
10	009-275-18	Compression type Terminal TGNB-5.5(Insulated) CU	3	Price on req.
11	072-102-48	Eye Bolt M12 SS	2	Price on req.
12	140-078-19	Hex.Bolt M10x30 SUS304	4	Price on req.
13	142-164-19	Spring Washer M10 SUS304	4	Price on req.
14	050-000-78	Motor Bracket FC	1	Price on req.
15	122-151-11	O-Ring G-205 (NBR)	1	Price on req.
16	142-000-07	Wave Washer #6305(d62) SK-5	1	Price on req.
17	122-244-12	O-Ring 61.4xd3.1 NBR	1	Price on req.
18	052-000-21	Bearing AC-6305ZC3	1	Price on req.
19	058-184-11	Lead Wire Protection Plate d90xd224x1.6t SPHC	1	Price on req.
20	143-126-12	Pan Screw (w/Spring Washer/Plain Washer) M4x12 SWRM	2	Price on req.
21	053-222-17	Motor Protector 380/400/415V-50HZ KA314-HMXL00 (H.C)	1	Price on req.
22	055-000-67	Rotor	1	Price on req.
23	147-067-16	Impeller Key 10x8x32l Stainless Steel	1	Price on req.
24	056-C12-13	Stator 380/400/415V-50HZ	1	Price on req.
25	064-547-15	Motor Frame FC	1	Price on req.
26	140-079-10	Hex.Bolt M10x40 SUS304 (EN X5Cr18-10)	4	Price on req.
27	142-164-19	Spring Washer M10 SUS304	4	Price on req.
28	122-006-10	O-Ring P-8 NBR	1	Price on req.
29	144-550-12	Stator Set Bolt M8x12.5 SUS304 (EN X5CrNi18-10) Stainless Steel	1	Price on req.
30	122-151-11	O-Ring G-205 (NBR)	1	Price on req.
31	140-032-37	Hex.Bolt M6x15 SWRM	3	Price on req.
32	062-223-16	Bearing Fixing Plate d92xd130x4.5t SS	1	Price on req.
33	052-112-10	Bearing 6309ZC3	1	Price on req.
34	146-027-11	Retaining Ring C45 SK5	1	Price on req.
35	060-429-18	Bearing Housing FC	1	Price on req.
36	121-247-12	Packing d12.3xd18x2l PE	2	Price on req.
37	035-113-18	Oil Plug M12x14 SUS304	2	Price on req.
38	140-099-16	Hex.Bolt M12x40 SUS304	2	Price on req.
39	142-165-10	Spring Washer M12 SUS304	2	Price on req.
40	140-104-15	Hex.Bolt M12x65 SUS304 (EN X5CrNi18-10) Stainless Steel	4	Price on req.
41	142-165-10	Spring Washer M12 SUS304	4	Price on req.
42	025-001-11	Mechanical Seal H-35A SiC+CCBN	1	Price on req.
43	143-070-23	Pan Screw M5x6 SWRM	2	Price on req.
44	030-156-18	Oil Lifter H-35(A)(T) Resin	1	Price on req.
45	143-070-10	Pan Screw M5x6 SWRM	3	Price on req.
46	030-150-12	Seal Stopper H-35(A)(T) SPCC	1	Price on req.
47	122-159-19	O-Ring (Brq.Housing/O.Casing) G-280(279.3xd5.7) NBR	1	Price on req.
48	029-187-14	Oil Casing 100-5.5/7.5-4B2 FC	1	Price on req.
49	122-159-19	O-Ring (Brq.Housing/O.Casing) G-280(279.3xd5.7) NBR	1	Price on req.
50	026-115-12	Oil Seal TC-608212 NBR	1	Price on req.
51	021-803-22	Impeller (50HZ) 50Hz FC	1	Price on req.
52	142-202-10	Impeller Fixing Washer d13xd50x15t SUS304 (EN X5CrNi18-10) Stainless Steel	1	Price on req.
53	144-293-27	Hex.Socket Set Screw M6x12 SUS304 (EN X5CrNi18-10) Stainless Steel	2	Price on req.
54	140-303-16	Hex. Socket Cap Bolt M12x40 SUS304 (EN X5CrNi18-10) Stainless Steel	1	Price on req.
55	046-107-13	Air Release Valve PT-1/2 Nylon	1	Price on req.
56	140-129-32	Hex.Bolt M16x65 SWRM	8	Price on req.
56	140-130-36	Hex.Bolt M16x70 SWRM	8	Price on req.
57	048-000-40	Screwed Flange JIS10Kx100mm FC	1	Price on req.
57	048-000-39	Screwed Flange JIS10Kx80mm(PT) Grey Iron Casting	1	Price on req.
58	121-106-34	Packing JIS10Kx100mm NR	1	Price on req.
58	121-105-33	Packing JIS10Kx80mm NR	1	Price on req.
59	037-000-32	Discharge Bend(For 100mm)100x100mm(S-4) FC	1	Price on req.
59	037-155-18	Discharge Bend 100x80mm(S-4B) FC	1	Price on req.
60	142-166-37	Spring Washer M16 SWRH	8	Price on req.
61	141-008-11	Hex.Nut M16 SUS304 (EN X5CrNi18-10)	8	Price on req.
62	121-153-10	Packing 160mm2(P.C.165) NBR	1	Price on req.
63	140-124-11	Hex.Bolt M16x40 SUS304 (EN X5CrNi18-10)	4	Price on req.
64	142-166-11	Spring Washer M16 SUS304	4	Price on req.
65	020-531-23	Pump Casing 100-5.5/7.5-4B2 FC	1	Price on req.
66	120-102-11	Packing (S.Cover) d301xd328x0.3t PE	1	Price on req.
67	022-521-13	Suction Cover 100-5.5/7.5-4B2 FC	1	Price on req.
68	142-165-10	Spring Washer M12 SUS304	3	Price on req.
69	140-097-14	Hex.Bolt M12x30 SUS304	3	Price on req.
70	023-288-18	Pump Stand 55/110-CE2 FC	3	Price on req.
71	142-165-10	Spring Washer M12 SUS304	3	Price on req.
72	140-097-14	Hex.Bolt M12x30 SUS304	3	Price on req.
73	142-165-10	Spring Washer M12 SUS304	3	Price on req.
74	140-099-16	Hex.Bolt M12x40 SUS304	3	Price on req.
	173-535-11	Packing & O-Ring Set	1	Price on req.
	##oilVG32	ml Turbine Oil ISO VG32	4300	Price on req.

Exploded View 100B45.5-54



100B45.5-54