

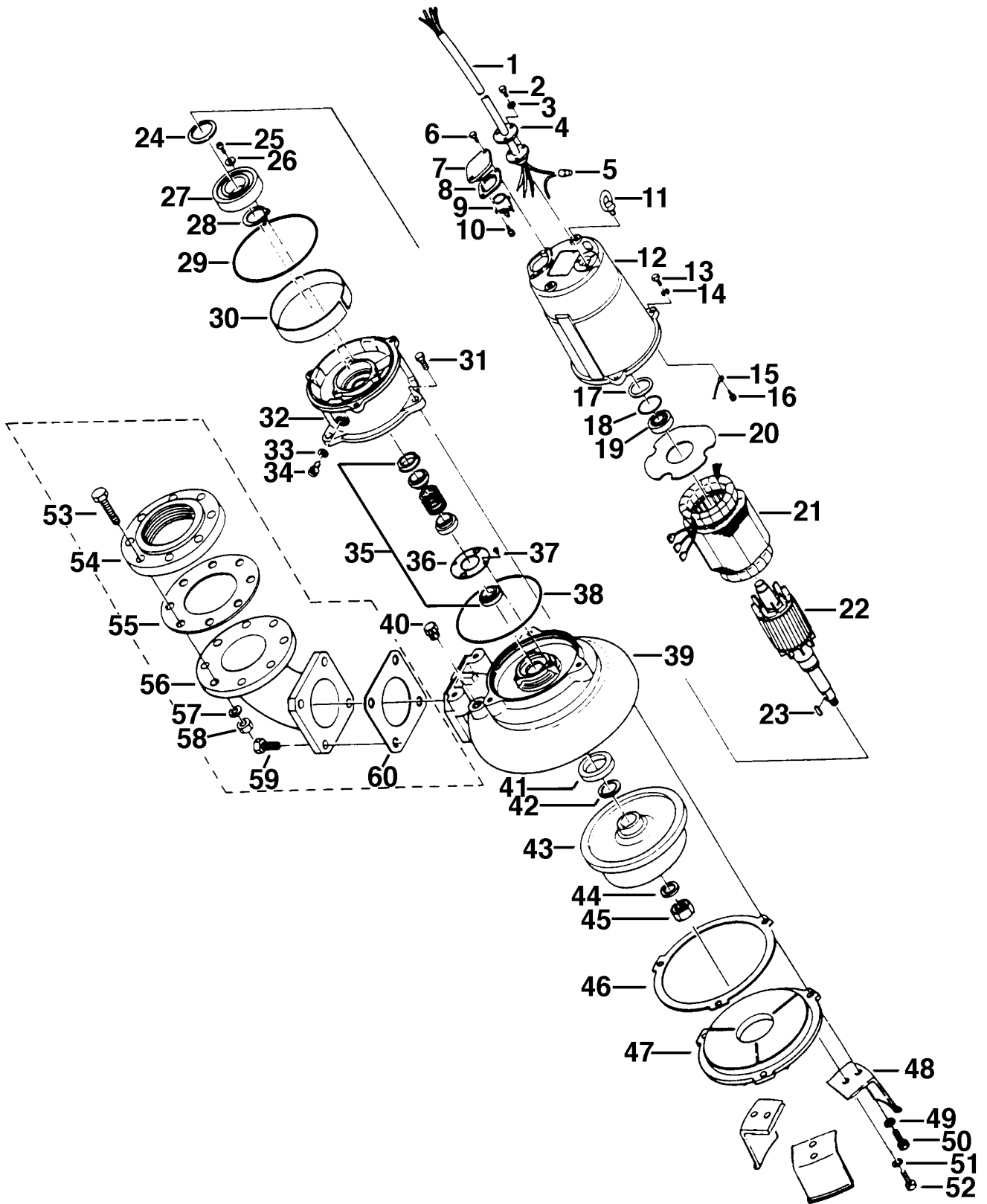
100B42.2

Kontroll-Nr. --

2019-02-1€ V.01.02.2019

Pos.no	Item no.	Description	Quant.	UP
		Dichtungs-Oring-Satz	1	Price on req.
1	001-TEG-21	Cable Set (10m) H07RN-F4Cx1,5mm ² with gland	1	Price on req.
1	M01-TEG-21	Cable Set (10m) NSSHÖU 4Cx1,5mm ²	1	Price on req.
2	140-021-17	Hex.Bolt M5x20 SUS304 (EN X5CrNi18-10)	3	Price on req.
3	142-422-18	Seal Washer PM-5 SUS+NBR	3	Price on req.
4	003-111-20	Gland SUS304 (EN X5CrNi18-10)	1	Price on req.
5	009-146-19	Terminal CE-5 CU	4	Price on req.
6	140-052-17	Hex.Bolt M8x16 SUS304	2	Price on req.
7	127-107-17	Protector Fixing Plate 22/37-BE2 SUS304 (EN X5CrNi18-10)	1	Price on req.
8	121-446-13	Packing 22/37-BE2 NBR	1	Price on req.
9	053-410-14	Motor Protector 380V-60HZ KA313-GQXL102 (T)	1	Price on req.
10	143-126-12	Pan Screw (w/Spring Washer/Plain Washer) M4x12 SWRM	2	Price on req.
11	072-100-17	Eye Bolt M10 SS	2	Price on req.
12	064-514-13	Motor Frame FC	1	Price on req.
13	140-055-10	Hex.Bolt M8x25 SUS304	1	Price on req.
14	142-163-21	Spring Washer M8 SUS316 (DIN 1.4401) Stainless Steel	1	Price on req.
15	009-116-10	Terminal R-2-4 CU	1	Price on req.
16	143-085-34	Pan Screw (w/Spring Washer) M4x6 C3604 (EN CuZn39Pb3)	1	Price on req.
17	142-196-10	Wave Washer 6205/6304 SK5	1	Price on req.
18	122-367-12	O-Ring 52xd3.1 NBR	1	Price on req.
19-1	052-107-12	Bearing 6304ZZC3	1	Price on req.
19-2	052-188-17	Bearing (w/O-ring) AC-6304ZZC3	1	Price on req.
20	058-117-13	Lead Wire Protection Plate d70xd140x1.6t Resin	1	Price on req.
21	056-675-18	Stator	1	Price on req.
22	055-732-11	Rotor (2nd) w/Bearing	1	Price on req.
23	147-081-16	Impeller Key 7x7x22L SUS420 (EN X30Cr13)	1	Price on req.
24	061-170-14	Bearing Collar d35.1xd46x2t SPCC	1	Price on req.
25	143-042-13	Pan Screw M6x10 SWRM	1	Price on req.
26	062-196-19	Bearing Fixing Washer d8xd20.5x2.3t SS	1	Price on req.
27	052-110-18	Bearing 6307ZZC3	1	Price on req.
28	146-022-16	Retaining Ring C35 SK5	1	Price on req.
29	122-333-19	O-Ring 170xd3.1 NBR	1	Price on req.
30	071-302-18	Collar 32I SECC	1	Price on req.
31	140-098-15	Hex.Bolt M12x35 SUS304	1	Price on req.
32	060-454-12	Bearing Housing (FC)	1	Price on req.
33	121-247-12	Packing d12.3xd18x2t PE	1	Price on req.
34	035-113-18	Oil Plug M12x14 SUS304	1	Price on req.
35	025-001-02	Mechanical Seal H-30T(T) SIC	1	Price on req.
36, 37	143-070-23	Pan Screw M5x6 SWRM	1	Price on req.
36, 37	030-142-11	Oil Lifter H-30(A)(T) Resin	1	Price on req.
36, 37	143-070-10	Pan Screw M5x6 SWRM	1	Price on req.
36, 37	030-151-13	Seal Stopper H-30(A)(T) SPCC	1	Price on req.
38	122-246-14	O-Ring (Bra.Housing/O.Casing) 180xd3.1 NBR	1	Price on req.
39	020-526-12	Pump Casing 22-BE2/CE2 FC	1	Price on req.
40	046-107-13	Air Release Valve PT-1/2 Nylon	1	Price on req.
41	026-111-18	Oil Seal TC-456812 NBR	1	Price on req.
42	040-107-28	Impeller Shim d25.2xd38x0.3t SUS304	1	Price on req.
43	021-795-17	Impeller (50HZ) 100B42.2-52 FC	1	Price on req.
44	142-168-13	Spring Washer M20 SUS304	1	Price on req.
45	141-009-12	Hex.Nut M20 SUS304 (EN X5CrNi18-10) Stainless Steel	1	Price on req.
46	120-104-13	Packing d230.5xd258x0.3t M-Sheet	1	Price on req.
47	022-737-14	Suction Cover 22/37-BE3 FC	1	Price on req.
48	023-469-15	Pump Stand 22/37-BE3 SPHC	1	Price on req.
49	142-165-10	Spring Washer M12 SUS304	1	Price on req.
50	140-098-15	Hex.Bolt M12x35 SUS304	1	Price on req.
51	142-163-21	Spring Washer M8 SUS316 (DIN 1.4401) Stainless Steel	1	Price on req.
52	140-054-19	Hex.Bolt M8x20 SUS304 (EN X5Cr18-10)	1	Price on req.
53	140-130-36	Hex.Bolt M16x70 SWRM	1	Price on req.
54	048-000-39	Screwed Flange JIS10Kx80mm(PT) Grey Iron Casting	1	Price on req.
54	048-000-40	Screwed Flange JIS10Kx100mm FC	1	Price on req.
55	121-105-33	Packing JIS10Kx80mm NR	1	Price on req.
55	121-106-34	Packing JIS10Kx100mm NR	1	Price on req.
56	037-169-15	Discharge Bend 80x80mm Grey Iron Casting	1	Price on req.
56	037-170-19	Discharge Bend 80x100mm FC	1	Price on req.
57	142-166-37	Spring Washer M16 SWRH	1	Price on req.
58	141-008-11	Hex.Nut M16 SUS304 (EN X5CrNi18-10)	1	Price on req.
59	140-124-11	Hex.Bolt M16x40 SUS304 (EN X5Cr18-10)	1	Price on req.
60	121-152-19	Packing 145mm2(P.C.145) NBR	1	Price on req.
	173-474-11	Packing & O-Ring Set	1	Price on req.
	##oilVG32	ml Turbine Oil ISO VG32	1300	Price on req.

Exploded View 100B42.2



100B42.2