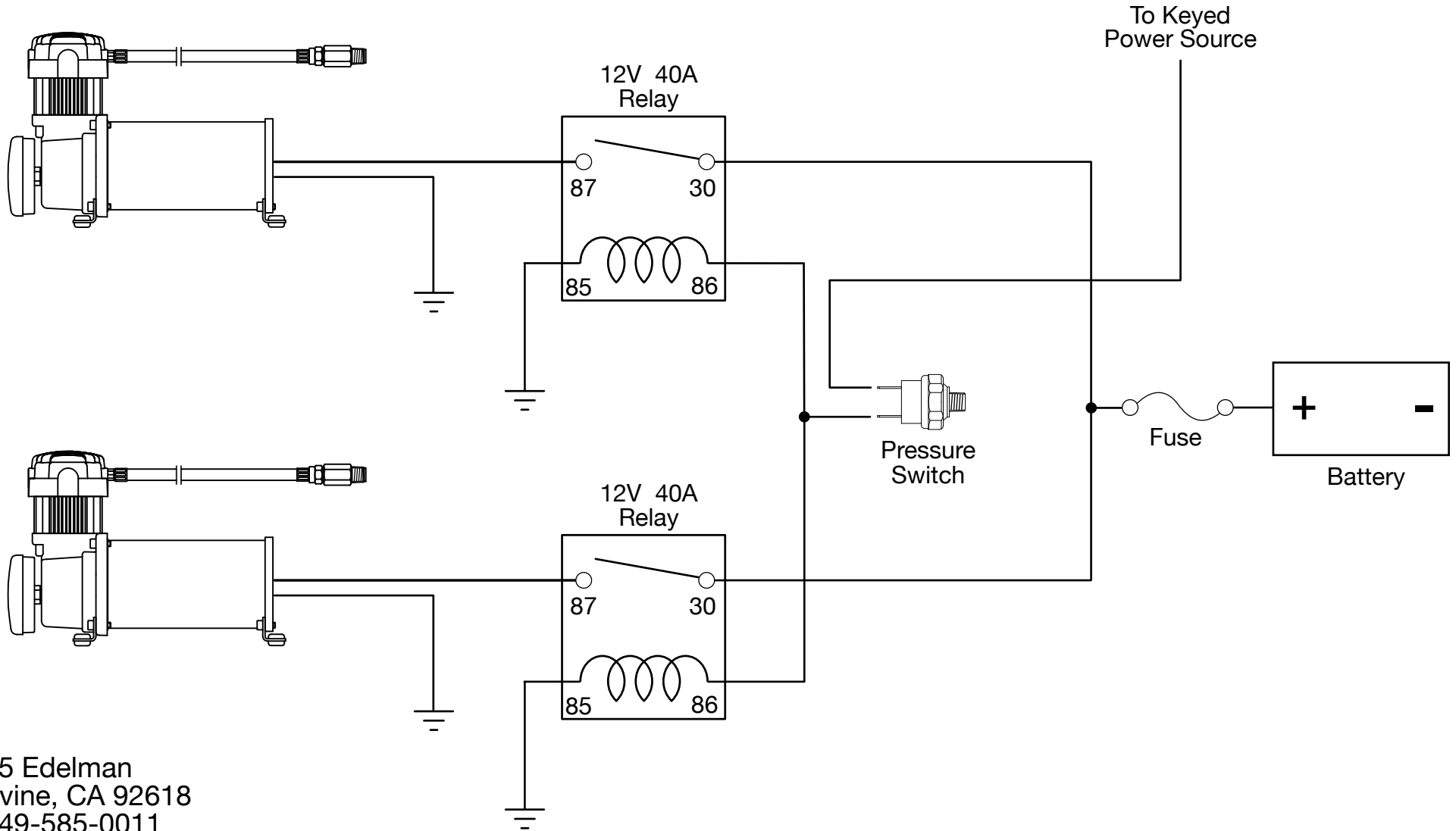




Your Vital Air Source

# P/N 20013, 20015, 20017, 20019 DUAL OBA SYSTEM WIRING DIAGRAM



15 Edelman  
Irvine, CA 92618  
949-585-0011  
www.viaircorp.com