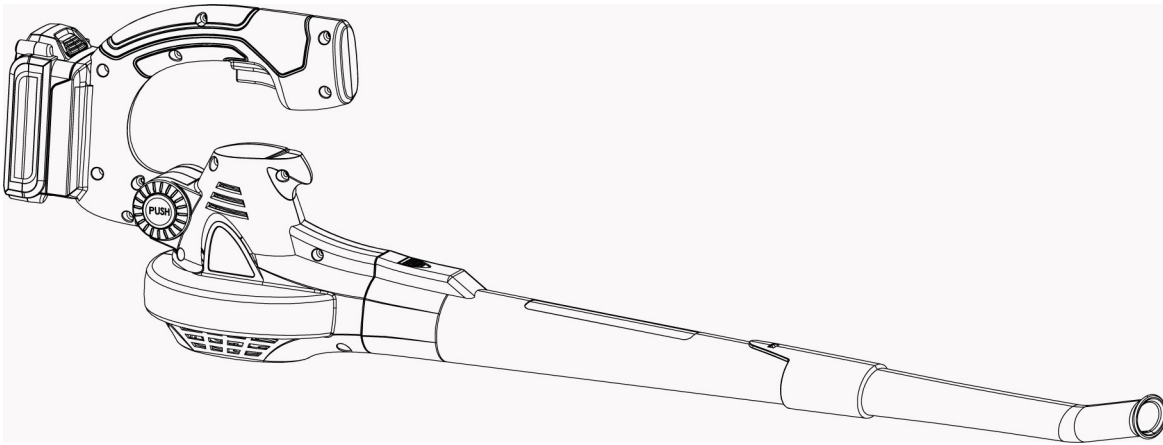


USER MANUAL

20V CORDLESS BLOWER
UGB01



Customer Service
Ukoke Tech
E:Service@ukoke.com
Te: (909)-606-4551

Customer Central: (Items Replacement)
19575 East Walnut Drive South, Units C16,
City of Industry, California 91748.
Te: (909)-606-4551

Technical data

Voltage:	DC 20 V
No load speed:	6500-13000/min
Weight:	1.7kg
Max Blow speed:	120mph
Charging time:	4h
Battery:	2.0Ah Li-ion



Do not use in the rain

SAFETY INSTRUCTIONS



WARNING: IMPORTANT SAFETY INSTRUCTIONS

When using an electrical appliance, basic precautions should always be followed, including the following:

READ ALL INSTRUCTIONS BEFORE USING THIS APPLIANCE

INTENDED PURPOSE



WARNING:

A garden blower is not a wet suction device! The device is designed only for blowing of dry leaves in private households and as a hobby device in the garden. Any other utilization, which is not explicitly approved in these directions, can lead to damage to the device and represent a serious danger to the user. The device must not be employed in areas where there is health endangering debris or as a wet suction device.

The device is designed for use by adults.

Young people over 16 years may use the device under supervision only.

The use of the device in the rain or in a humid environment is forbidden.

The manufacturer is not liable for damage which is caused through inappropriate use or incorrect operation



WARNING: To reduce the risk of fire, electric shock, or injury:

1. Do not leave appliance when plugged in. Unplug from outlet when not in use and before servicing.
2. **WARNING:** To Reduce the Risk of Electric Shock – Do not use on wet surfaces. Do not expose to rain. Store indoors.

Explanation of Symbols on your product



Warning



Read the manual



Li-Ion

Do not dispose of batteries. Return exhausted batteries to your local collection or recycling point.



Li

Contains Li-ion battery. Battery must be recycled or disposed of properly.



Always charge the battery between temperatures 32°F-104°F (0°C-40°C).



Do not burn



Wear eye protection



Wear ear protection

3. Do not allow to be a toy. Close attention is necessary when used by or near children.
4. Use only as described in this manual. Use only manufacturer's recommended attachments.
5. Do not use with damaged cord or plug. If appliance is not working as it should, has been dropped, damaged, left outdoors, or dropped into water, return it to a service center.
6. Do not pull or carry by cord, use cord as a handle, close a door on cord, or pull cord around sharp edges or corners. Do not run appliance over cord. Keep cord away from heated surfaces.
7. Do not unplug by pulling on cord. To unplug, grasp the plug, not the cord.
8. Do not handle plug or appliance with wet hands.
9. Do not put any object into openings. Do not use with any opening blocked; keep free of dust, lint, hair, and anything that may reduce air flow.
10. Keep hair, loose clothing, fingers, and all parts of body away from openings and moving parts.
11. Turn off all controls before unplugging.
12. Use extra care when cleaning on stairs.
13. Do not use to pick up flammable or combustible liquids, such as gasoline, or use in areas where they may be present.
14. Always turn off this appliance before connecting or disconnecting either hose or motorized nozzle.
15. Use only the charger supplied by the manufacturer to recharge.
16. Do not pick up anything that is burning or smoking, such as cigarettes, matches, or hot ashes.
17. Do not use without dust bag and/or filters in place.
18. Recharge only with the charger specified by the manufacturer. A charger that is suitable for one type of battery pack may create a risk of fire when used with another battery pack.
19. Use power tools only with specifically designated battery packs. Use of any other battery packs may create a risk of injury and fire.
20. When battery pack is not in use, keep it away from other metal objects, like paper clips, coins, keys, nails, screws or other small metal objects, that can make a connection from one terminal to another. Shorting the battery terminals together may cause burns or a fire.
21. Under abusive conditions, liquid may be ejected from the battery; avoid contact. If contact accidentally occurs, flush with water. If

liquid contacts eyes, additionally seek medical help. Liquid ejected from the battery may cause irritation or burns.

Safe Operation Practices for Cordless Blowers and Vacuums

1. Safety Instructions

1.1. Training

- 1) Read the operating and service instruction manual carefully. Be thoroughly familiar with the controls and the proper use of the equipment.
- 2) Never allow children to operate the tool.
- 3) Keep the area of operation clear of all persons, particularly small children, and pets.
- 4) Do not use the tool for any job except that for which it is intended.

1.2 Preparation

- 1) Thoroughly inspect the area where the equipment is to be used and remove all stones, sticks, wires, bones, and other foreign objects.
- 2) Operate the tool only in daylight or in good artificial light.
- 3) Never operate the equipment on wet materials. Always be sure of your footing. Keep a firm hold on the handle and walk, never run.

1.3 Operation

- 1) Do not put hands or feet near or under rotating parts.
- 2) If the equipment should start to vibrate abnormally, stop the motor and check immediately for the cause. Vibration is generally a warning of trouble.
- 3) Stop the motor whenever you leave the equipment, and before making any repairs or inspections.
- 4) Shut the motor off and wait until the fan comes to a complete stop before removing the bags
- 5) Do not wash with a hose, avoid getting water in motor and electrical connections.

1.4 Maintenance

- 1) Keep all nuts, bolts, and screws tight to be sure the equipment is in safe working condition.
- 2) Check bag frequently for deterioration and wear, and replace worn bags. Check that replacement bags comply with the original manufacturer's recommendations or specifications.

ADDITIONAL SAFETY INSTRUCTIONS FOR YOUR TOOL

1. Do not charge appliance in damp or wet locations.

2. Do not use battery-operated appliance in rain.
3. Remove or disconnect battery before servicing, cleaning or removing material from the gardening appliance.
4. Do not dispose of the battery in a fire. The cell may explode. Check with local codes for possible special disposal instructions.
5. Do not open or mutilate the battery. Released electrolyte is corrosive and may cause damage to the eyes or skin. It may be toxic if swallowed.
6. Exercise care in handling batteries in order not to short the battery with conducting materials such as rings, bracelets, and keys. The battery or conductor may overheat and cause burns.
7. Charge only using the charger provided with the tool.
8. Do not place outlet tubes near eyes or ears when operating.
9. Do not cross gravel paths or place the tool on gravel while the tool is switched on.
10. Do not place any objects into the openings and moving parts.
11. Before removing the blow tube, always switch off the tool, remove the battery and allow the tool to run down.
12. Avoid dangerous environment. Do not use appliances in damp or wet location.
13. Do not use in rain.
14. Keep children away. All visitors should be kept at a distance from work area.
15. Dress properly. Do not wear loose clothing or jewelry. They can be caught in moving parts. Use of protective gloves and substantial footwear is recommended when working outdoors. Wear protective hair covering to contain long hair.
16. Use right appliance. Do not use appliance for any job except that for which it is intended.
17. Do not force appliance. It will do the job better and with less risk of injury at the rate for which it was designed.
18. Do not overreach. Keep proper footing and balance at all times.
19. Stay alert. Watch what you are doing. Use common sense. Do not operate appliance when you are tired.
20. Store idle appliances indoors. When not in use, appliances should be stored indoors in dry, and high or locked-up place, out of reach of children.
21. Check damaged parts. Before further use of the

appliance, a guard or other part that is damaged should be carefully checked to determine that it will operate properly and perform its intended function. Check for alignment of moving parts, binding or moving parts, breakage of parts, mounting, and any other condition that may affect its operation. A guard or other part that is damaged should be properly repaired or replaced by an authorized service center unless indicated elsewhere in this manual.

BATTERY

1. Never attempt to open or modify battery for any reason. Released electrolyte is corrosive and may cause damage to eyes and skin. It may be toxic if swallowed.
2. Under extreme conditions, battery leakage may occur. When you notice liquid on the battery, proceed as follows:
 - Carefully wipe the liquid off using a cloth. Avoid skin contact.
 - In case of skin or eye contact, follow the instructions below.
 - The battery fluid, a 25-30% solution of potassium hydroxide, can be harmful. In case of skin contact, immediately rinse with water. Neutralize with a mild acid such as lemon juice or vinegar. In case of eye contact, rinse abundantly with clean water for at least 10 minutes.
3. Do not expose to water.
4. Do not store in locations where the temperature may exceed 104°F (40°C).
5. Charge at room temperature: 64°F-75°F (18°C-24°C), never at ambient temperatures below 40°F (4°C) and above 104°F (40°C).
6. Charge only using the charger provided with the tool.
7. Before charging, make sure that the battery is dry and clean.
8. Use only the correct type of battery for the tool.
9. Exercise care in handling and storing batteries in order not to short them with conductive materials such as rings, keys, coins. There is a real risk of the battery or the conductor overheating, causing fire or burns.
10. Do not dispose of battery in fire. It may explode. Follow instructions and regulations given by local authorities concerning environmental protection. Dispose of old batteries at an appropriate waste

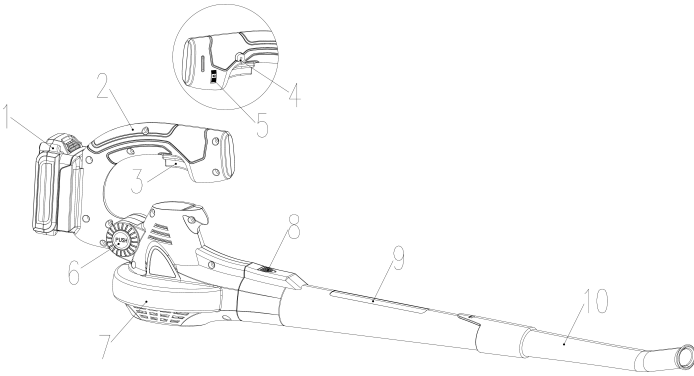
disposal facility.

CHARGERS

1. Use your charger only to charge the battery in the tool which it was supplied. Other batteries could burst, causing personal injury and damage.
2. Never attempt to charge non-rechargeable batteries.
3. Do not expose the charger to water.
4. Do not open the charger.
5. Do not probe the charger.

SAVE THESE INSTRUCTIONS

1. Refer to them frequently and use them to instruct others who may use this tool. If someone borrows this tool, make sure they have these instructions.
2. Use only identical replacement parts.



CONTENTS:

1. Battery Pack 2. Handle 3. Trigger 4. Trigger Lockout 5. Speed switches 6. Locking Press Button 7. Working head 8. Locking Press Button 9. Blower Tube 10. Extension Tube

CHARGING BATTERY (Fig.1)

Before attempting to charge the battery pack, thoroughly read all Safety Instructions.

The battery needs to be charged before first use and whenever it fails to produce sufficient power on jobs that were easily done before.

The battery may become warm while charging; this is normal and does not indicate a problem.

NOTE: After several charge and discharge cycles, the battery will attain full capacity.



DO NOT CHARGE THE BATTERY AT AMBIENT TEMPERATURES BELOW 4°C OR ABOVE 40°C (BELOW 40°F OR ABOVE 104°F) .

- ◆ Plug the mains plug of the adaptor into a socket outlet, At this time, the green light of charging seat lights up. Insert the battery pack into the charger station, At this time, red light on and green light off. The battery charge-control indicator indicates the charging progress. The indicator lights up red during the charge procedure. The battery is completely charged when the indicator lights up green again.

Disconnect the battery charger from the mains supply when not using it for longer periods.

IMPORTANT CHARGING NOTES

1. After normal usage, your battery pack should be fully charged in about 4 hours. Allow the battery to cool down before charging after using the saw. (NOTE: A hot battery placed in the charger will not charge)

2. DO NOT charge the battery pack in an air temperature below 40°F (4 °C) or above 104°F (40 °C). This is important and will prevent serious damage to the battery pack. Longest life and best performance can be obtained if battery pack is charged when air temperature is about 75°F (24°C).

3. While charging, the charger may hum and become warm to touch. This is a normal condition and does not indicate a problem.

4. If the battery pack does not charge properly

- Check current at receptacle by plugging in a lamp or other appliance.

- Check to see if receptacle is connected to a light switch which turns power off when you turn out the lights.

- Move charger and battery pack to a surrounding air temperature of 40°F (4°C) to 104°F (40°C)

- If the receptacle and temperature are OK, and you do not get proper charging contact (DESA Power Tools) service center.

5. The battery pack need to be charged before first using and should be recharged when it fails to produce sufficient power on jobs which were easily done previously. DO NOT CONTINUE using this product with its battery pack in a depleted condition. (NOTE: After several charge and discharge cycles, the battery will attain full capacity.)

6. To prolong battery life, avoid leaving the battery pack on charger for extended periods of time (over 30 days without use). Although overcharging is not a safety concern, it can significantly reduce overall battery life.

Fig.1

7. The battery pack will reach optimum performance after being cycled 5 times during normal usage. There is no need to run the batteries down completely before recharging. Normal usage is the best method of discharging and recharging the batteries.

ASSEMBLY

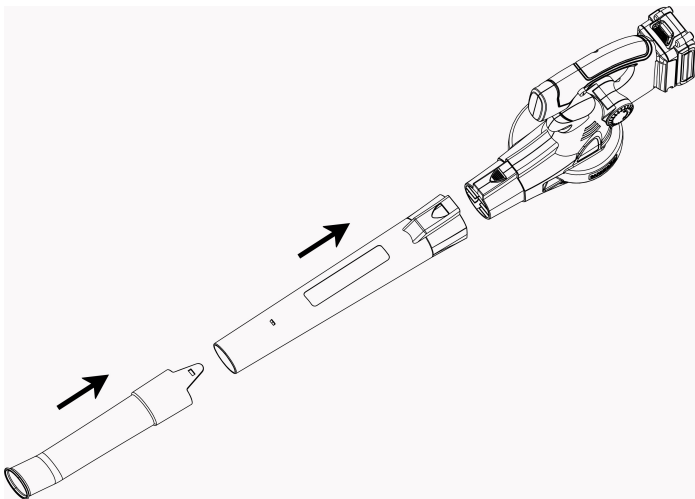


Fig.2

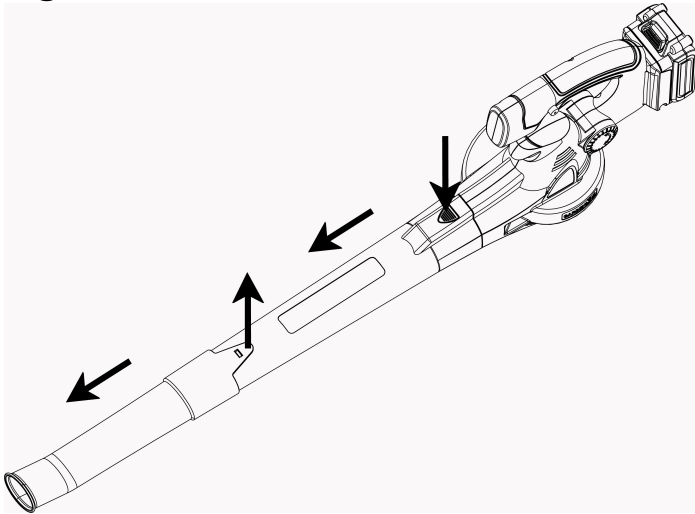


Fig.3

ASSEMBLING THE BLOWER TUBE (Fig. 2 & Fig. 3)

1. Fit the Blower Tube to the motor housing as shown in Fig 2. Check the Blower Tube is firmly secured.
2. Disassembling the Blower Tube, you can separate the tube.(Fig. 3) Cocked up the next part of the

extension Down Blower Tube⑧, so that you can separate the Down Blower Tube.(Fig. 3) Do not try to separate the tubes by force or by using tools.

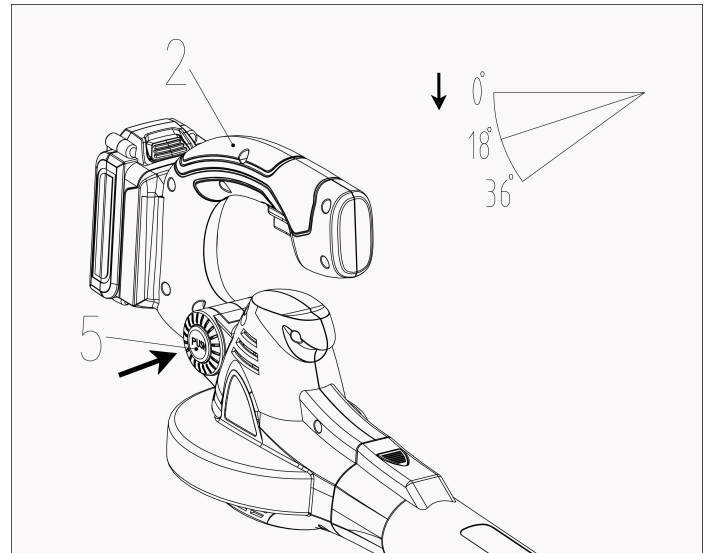


Fig.4
ASSEMBLY FUNCTION OF SWIVEL HEAD(Fig. 4)

Hold the handle ② tightly. Slide the locking press button ⑤ up and then turn the work_head to the desired position. Release the locking press button ⑤ again and check whether the work_head is locked in place.

Note:The work_head can be locked in five positions(0°、 18°、 36°).

OPERATION



WARNING! The charger and battery pack are specially designed to work together so do not attempt to use any other devices. Never insert or allow metallic objects into your charger or battery pack connections because of an electrical failure and hazard will occur.

1. BEFORE USING YOUR CORDLESS BLOWER

You must charge once before use. The battery charger supplied is matched to the Li-ion battery installed in the machine. Do not use another battery charger.

2. CHARGING YOUR BATTERY PACK

The Li-ion battery is protected against deep

discharging. When the battery is empty, the machine is switched off by means of a protective circuit: The tool holder no longer rotates.

In a warm environment or after heavy use, the battery pack may become too hot to permit charging. Allow time for the battery to cool down before recharging.

3. TO REMOVE OR INSTALL BATTERY PACK (Fig. 5)

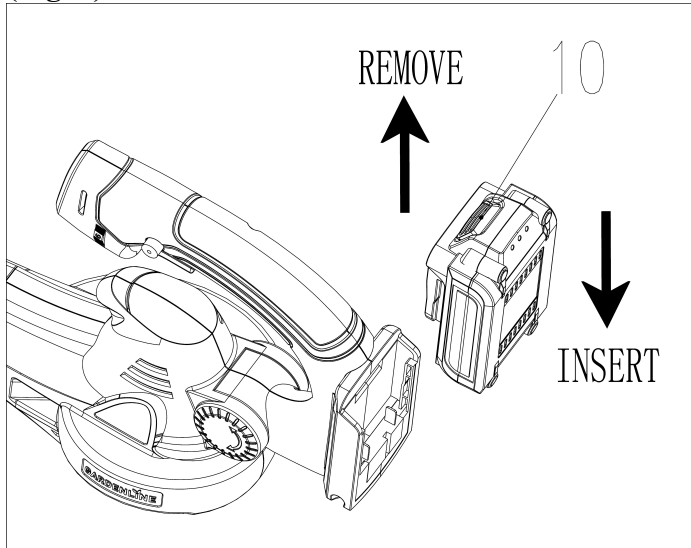


Fig.5

- Always release the On/Off switch before insertion or removal of the battery pack.
- To remove the battery pack, withdraw it from the tool while pulling the Battery Release Button (10) down.
- To insert the battery pack, groove along the handle and insert in the full position, until the Battery Release Button (10) bounce back to normal position again.

Do not use force when inserting the battery pack. If the cartridge does not slide in easily, it is not being inserted correctly.

4. STARTING/STOPPING (Fig. 6)

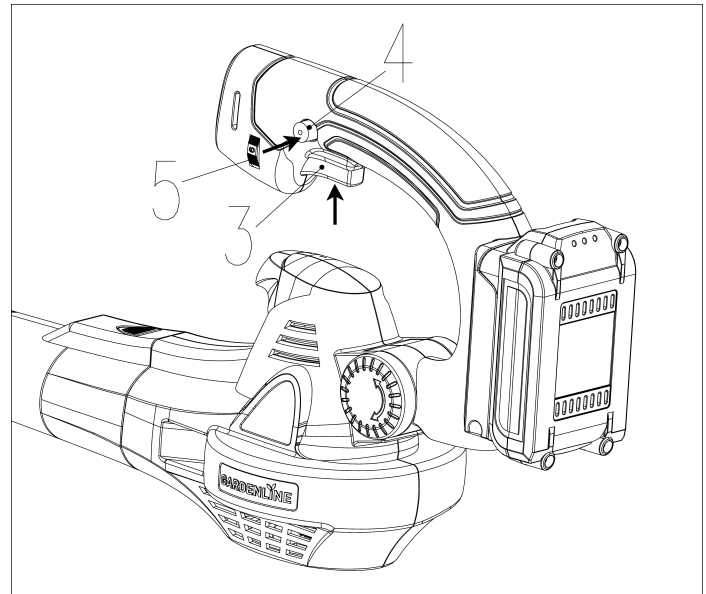


Fig.6

press trigger③ until the stop, This will turn blower on. Then push trigger lockout④ and release the trigger, In this way, the trigger is locked. Continue to press the trigger, And then release the trigger, this turn blower off.

5. SPEED REGULATION(Fig. 7)

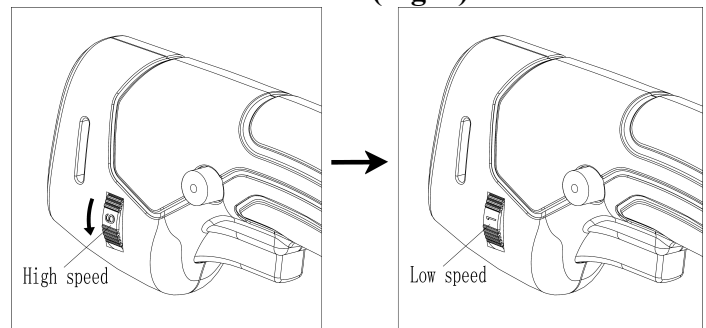


Fig.7

The blower is stepless speed regulation. (6) for the high speed, The speed switch spin down to (1) as the low speed.

6. USING THE BLOWER

The blower is intended for residential use only.

Use the blower outdoors to move debris from hard surfaces. This blower is not designed to clear leaves from large grassy areas, or move wet, heavy debris.

USER TIPS

- Hold the blow tube approx 7” above the ground when operating the tool. Use a sweeping motion from side to side. Advance slowly keeping the accumulated debris/leaves in front of you.



Caution!

- After blowing the debris/leaves into a pile, it is easy to dispose of the pile.
- Do not blow hard objects such as nails, bolts, or rocks.
- Do not operate the blower near bystanders or pets.
- Use extra care when cleaning debris from stairs or other tight areas.
- Wear safety goggles or other suitable eye protection, long pants, and shoes.

STORAGE



WARNING! Store the blower indoors, in a cool dry location, out of reach of children and animals.

If storing Blower for more than 30 days, follow steps below.

1. Remove battery from Blower.
2. Charge battery completely. (Note: It could take up to 4 hours to completely charge the battery.)
3. When battery is completely charged, remove from charger

IMPORTANT: To prolong battery life, avoid leaving battery on charger for extended periods of time (over 30 days without use).

4. Store Blower and battery
 - in a high or locked place, out of children’s reach.
 - in a dry place.
 - in a carrying case.



DISPOSAL:

The packaging material is reusable. Rid yourself of the packaging in an environmentally friendly way and put it in the collection of recyclable materials.

Dispose of the product and the batteries in view of the environment if you want to separate. The device and the batteries should not be thrown into the household garbage. Bring them to the recycling center for the used electrical and electronic devices. You can consult to the local government for more information. Remove the batteries first.



WARNINGS!

This Product May Contain A Chemical Known To The State of California To Cause Cancer, Or Birth Defects Or Other Reproductive Harm.

PARTS AND SERVICE:

HOW TO OBTAIN REPLACEMENT PARTS: A replacement parts list is available online at Ukoke.com/Amazon.com/Walmart.com/newegg.com.. Replacement parts can be purchased online or by calling Ukoke Customer specialist (909)-606-4551 or by Email:Service@ukoke.com

Replacement parts can also be obtained at one of our Return centers.

HOW TO LOCATE A Return CENTER: Return centers can be located at 19575 East Walnut Drive South, Units C16, City of Industry, California 91748. Ukoke Customer specialist (909)-606-4551 or by Email:Service@ukoke.com

.....

WARRANTY

LIMITED WARRANTY STATEMENT

UKOKE TECH INC., warrants to the original retail purchaser that this UKOKE™ brand outdoor product is free from defect in material and workmanship and agrees to repair or replace, at UKOKE TECH INC.'s, discretion, any defective product free of charge within these time periods from the date of purchase.

n Three years if the product is used for personal, family or household use;

n 90 days, if used for any other purpose, such as commercial.

This warranty extends to the original retail purchaser only and commences on the date of the original retail purchase.

Any part of this product found in the reasonable judgment of UKOKE TECH INC. to be defective in material or workmanship will be repaired or replaced without charge for parts and labor by an authorized service center for UKOKE™ brand outdoor products.

The product, including any defective part, must be returned to an authorized UKOKE service center within the warranty period. The expense of delivering the product to the service center for warranty work and the expense of returning it back to the owner after repair or replacement will be paid by the owner. UKOKE TECH INC.'s, responsibility in respect to claims is limited to making the required repairs or replacements and no claim of breach of warranty shall be cause for cancellation or rescission of the contract of sale of any UKOKE™ brand outdoor product. Proof of purchase will be required by the dealer to substantiate any warranty claim. All warranty work must be performed by an authorized service dealer.

This warranty is limited to ninety (90) days from the date of original retail purchase for any UKOKE™ brand outdoor product that is used for rental or commercial purposes, or any other income-producing purpose. This warranty does not cover any product that has been subject to misuse, neglect, negligence, or accident, or that has been operated in any way contrary to the operating instructions as specified in this operator's manual. This warranty does not apply to any damage to the product that is the result of improper maintenance or to any product that has been altered or modified. The warranty does not extend to repairs made necessary by normal wear or by the use of parts or accessories which are either incompatible with the UKOKE™ brand outdoor product or adversely affect its operation, performance, or durability. In addition, this warranty does not cover:

A. Tune-ups – Spark Plugs, Carburetor, Carburetor Adjustments, Ignition, Filters

B. Wear items – Bump Knobs, Outer Spools, Cutting Lines, Inner Reels, Starter Pulleys, Starter Ropes, Drive Belts, Tines, Felt Washers, Hitch Pins, Mulching Blades, Blower Fans, Blower and Vacuum Tubes, Vacuum Bag and Straps, Guide Bars, Saw Chains

ALL IMPLIED WARRANTIES ARE LIMITED IN DURATION TO THE STATED WARRANTY PERIOD. ACCORDINGLY, ANY SUCH IMPLIED WARRANTIES INCLUDING MERCHANTABILITY, FITNESS FOR A PARTICULAR PURPOSE, OR OTHERWISE, ARE DISCLAIMED IN THEIR ENTIRETY AFTER THE EXPIRATION OF THE APPROPRIATE THREE-YEAR OR NINETY-DAY WARRANTY PERIOD. UKOKE TECH INC.'S, OBLIGATION UNDER THIS WARRANTY IS STRICTLY AND EXCLUSIVELY LIMITED TO THE REPAIR OR REPLACEMENT OF DEFECTIVE PARTS AND UKOKE TECH INC., DOES NOT ASSUME OR AUTHORIZE ANYONE TO ASSUME FOR THEM ANY OTHER OBLIGATION. SOME STATES DO NOT ALLOW LIMITATIONS ON HOW LONG AN IMPLIED WARRANTY LASTS, SO THE ABOVE LIMITATION MAY NOT APPLY TO YOU. UKOKE TECH INC., ASSUMES NO RESPONSIBILITY FOR INCIDENTAL, CONSEQUENTIAL, OR OTHER DAMAGES INCLUDING, BUT NOT LIMITED TO, EXPENSE OF RETURNING THE PRODUCT TO AN AUTHORIZED UKOKE SERVICE CENTER AND EXPENSE OF DELIVERING IT BACK TO THE OWNER, MECHANIC'S TRAVEL TIME, TELEPHONE OR TELEGRAM CHARGES, RENTAL OF A LIKE PRODUCT DURING THE TIME WARRANTY SERVICE IS BEING PERFORMED, TRAVEL, LOSS OR DAMAGE TO PERSONAL PROPERTY, LOSS OF REVENUE, LOSS OF USE OF THE PRODUCT, LOSS OF TIME, OR INCONVENIENCE. SOME STATES DO NOT ALLOW THE EXCLUSION OR LIMITATION OF INCIDENTAL OR CONSEQUENTIAL DAMAGES, SO THE ABOVE LIMITATION OR EXCLUSION MAY NOT APPLY TO YOU.

This warranty gives you specific legal rights, and you may also have other rights which vary from state to state.

This warranty applies to all UKOKE™ brand outdoor products manufactured by or for UKOKE TECH INC., and sold in the United States and Canada.