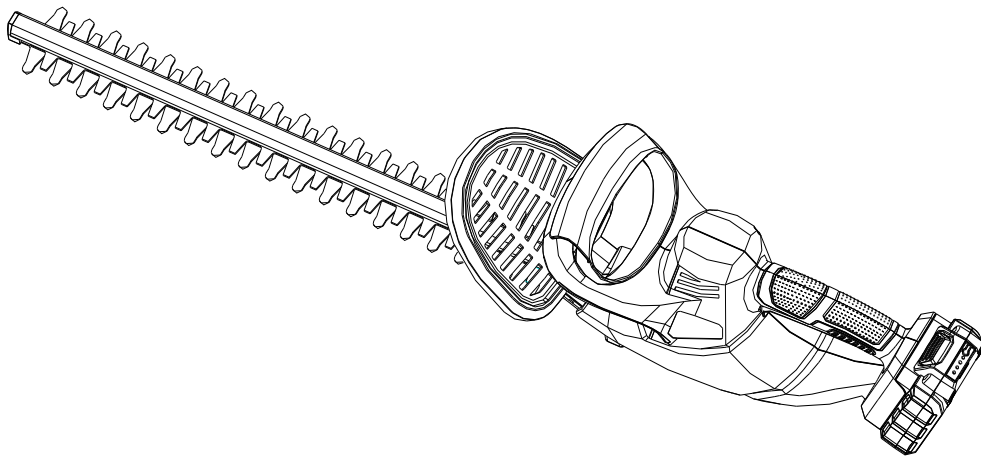


# USER MANUAL

20V CORDLESS HEDGE TRIMMER  
UHT01



Customer Service  
Ukoke Tech  
E:info@ukoke.com  
Te: (909)-734-6812

Customer Central: (Items Replacement)  
9848 E. Rush St., #C S, SOUTH EL MONTE, California 91733  
Te: (909)-734-6812

## General Information

### Reading and storing the instruction manual



This instruction manual accompanies this hedge trimmers. It contains important information on setup and handling. Before using the line trimmer, read the instruction manual carefully. This particularly applies to the safety notes. Failure to follow the contents of this instruction manual may result in severe injury or damage to the line trimmer. Store the instruction manual for future use. If you pass the line trimmer on to third parties, please ensure you include this instruction manual.

## Warning symbols on the machine

Symbols are used in this manual to attract your attention to possible risks. The safety symbols and the explanations which accompany them must be perfectly understood. The warning themselves do not prevent the risks and cannot be a substitute for proper methods of avoiding accidents.



This symbol indicates there is a danger of serious personal injury or death if you do not observe the warning.



Read the instruction manual before use.



Wear ear protection



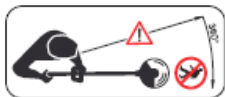
Wear eye protection.



Wear dust mask.



Do not expose to rain.



Keep other people out of working area during operation. A distance of at least 15 m must be observed.



Objects thrown by the product could hit the user or other bystanders. Always ensure that other people and pets remain at a safe distance from the product when it is in operation. In general, children must not come near the area where the product is.



Guaranteed sound power level.



Waste electrical products should not be disposed of with household waste. Please recycle where facilities exist. Check with your Local Authority or retailer for recycling advice.

### Warning symbols on the charger



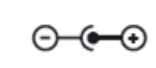
Before use, carefully read through the user manual.



The charger is for indoor use only.



Protection class II.



Pole orientation.



Waste electrical products should not be disposed of with household waste. Please recycle where facilities exist. Check with your Local Authority or retailer for recycling advice.

### Warning Symbols on the Battery



Do not subject the battery to strong sunlight over long periods and do not leave it on a heater (max.45°C).



Do not dispose of batteries in rivers or immerse in water.



Do not dispose of batteries in a fire. They will explode and cause injury.



Contains Li-ion battery. Battery must be recycled or disposed of properly.



Do not dispose of batteries. Return exhausted batteries to your local collection or recycling point.

## INTENDED USE

This Li-ion cordless grass trimmer N0E-22ET-230 is intended for cutting weed, grass or similar soft vegetation in areas that are hard to reach, e.g. under bushes, on slopes and edges. It may not be used to work on unusual thick, dry or wet grass, e.g. pasture grass, or to shred leaves.

For safety reasons it is essential to read the entire instruction manual before first operation and to observe all the instructions therein.

This product is intended for private domestic use only, not for any commercial trade use. It must not be used for any purposes other than those described.

## SAFETY WARNINGS



**WARNING!**

**This product is not intended for use by persons (including children) with reduced physical, sensory or mental capabilities, or lack of experience and knowledge, unless they have been given supervision or instruction concerning use of the product by a person responsible for their safety.**

**Children should be supervised to ensure that they do not play with the product.**

- 1. Read the instruction carefully.** Be familiar with the controls and the correct use of the appliance. Read and understand the operator's manual and observe the warning and instruction labels affixed to the appliance.
- 2. Users.** Never allow children or people unfamiliar with these instructions to use the appliance. Local regulations may restrict the age of operator. Never operate the tool under the influence of alcohol, medication or drugs.
- 3. Use appropriate tool.** This device is only intended for trimming grass outdoors and only designated for use on private property. Do not force small tools or attachments to do the job of a heavy duty tool.
- 4. Keep work areas clean.** Cluttered areas can cause accidents.
- 5. Consider work area environment.** Do not expose the tool to high humidity or rain. Do not use the tool in damp and wet conditions. Keep the work area well lit. Do not use the tool where there is a risk of causing fire or explosion, e.g. in the presence of flammable liquids and gases.
- 6. Keep all bystanders, children, and pets away.** The operator or user is responsible for accidents or hazards occurring to other people or the property.
- 7. Dress appropriately.** Do not wear loose clothing or jewelry, as these can be caught in moving parts. Preferably wear non-slip footwear when working outdoors. Wear protective hair covering to keep long hair out of the way.
- 8. Head protection.** Always use safety glasses and gloves. Use a face or dust mask whenever the operations may produce dust or flying particles. Wear ear protection whenever the sound level seems uncomfortable.
- 9. Do not overreach.** Keep proper footing and balance at all times.
- 10. Stay alert, watch what you are doing.** Use common sense when operating the appliance. Do not operate the tool when you are tired.
- 11. Grip the tool securely.** Operator should have one hand on the main handle, the other on the front handle. Keep finger off trigger until ready to use.
- 12. Remove adjusting keys and wrenches.** Always check that adjusting keys and wrenches

are removed from the tool before operating the tool.

13. **Risk of cut.** Do not touch or try to stop the nylon line when it is rotating.

14. **Disconnect the battery.** Disconnect battery from the tool when not in use or when servicing or cleaning.

15. **Check for damaged parts.** Before further use, carefully check the tool for damage. Check for alignment of moving parts, binding of moving parts, breakage of parts, mounting and any other condition that may affect its operation.

Do not use the tool if any parts are damaged or defective. Have any damaged or defective parts repaired or replaced by an authorized service agent. Never attempt any repairs yourself.

16. **Store idle tools.** When not in use, tools should be stored in a dry, locked-up place out of reach of children.

17. **Maintain tools with care.** Keep tools clean and in good condition for better and safer performance. Follow the instructions for maintenance and changing accessories. Keep handles and switches dry, clean and free from oil and grease.

18. **Have your tool repaired by an authorized service agent.** This tool is manufactured in accordance with the relevant safety regulations. To avoid danger, electrical appliances must only be repaired by qualified technicians.



**WARNING!**

Do not use any attachments or accessories not recommended by the manufacturer of this tool. The use of attachments or accessories not recommended can result in serious personal injury.

## **ADDITIONAL SAFETY INSTRUCTIONS FOR BATTERIES AND CHARGERS**

### **Batteries**

1. Never attempt to open for any reason.
2. Do not expose to water.
3. Do not incinerate the battery pack even if it is severely damaged or is completely worn out. The battery pack can explode in a fire.
4. Do not store in locations where the temperature may exceed 40°C..
5. Do not leave the battery pack in the charger when the charging is finished, otherwise battery leakage may occur.
6. Charge only at room temperature.
7. Charge only by using the charger provided with the tool (see technical data).
8. Before charging, make sure that the battery is dry and clean.
9. Use only the correct type of battery for the tool (see technical data).
10. When dispose of batteries follow the instructions given in the section "protecting the environment".
11. Under extreme conditions, battery leakage may occur. When you notice liquid on the battery, proceed as follows:
  - Carefully wipe the liquid off using a cloth.
  - Avoid skin contact.
  - In case of skin or eye contact, follow the instructions below.
  - The battery fluid, a 25-30% solution of potassium hydroxide, can be harmful. In case of skin contact, immediately rinse with water. Neutralize with a mild acid such as lemonjuice or vinegar. In case of eye contact, rinse abundantly with clean water for at least 10 minutes. Consult a physician.

**NOTE:** The batteries in your battery pack are the Lithium-Ion type. Do not dispose of battery packs/batteries into household waste, fire or water. Battery packs/batteries should be collected, recycled or disposed of in an environmental-friendly manner.

### **Chargers**

1. Charger's plug must match the outlet. Never modify the plug in any way. Unmodified plugs and matching outlets will reduce risk of electric shock.
2. Use your charger only to charge batteries of the type supplied with your tool. Other batteries could burst, causing personal injury and damage.
3. Only 2 battery packs are allowed to be charged continuously in order to prevent overheating of charger, necessary rest time is required to let the charger cool down before further charging.

4. When charging is finished, unplug the charger from mains socket outlet and takeaway the battery pack from the charger, do not leave the battery pack in the charger.
5. Never carry the charger by its cord or pull it to disconnect from the socket. Keep the cord away from heat, oil and sharp edges.
6. Never attempt to charge non-rechargeable batteries.
7. The cord of the charger is not changeable, do not continue to use if the cord is damaged.
8. Do not expose to water or rain, do not use in wet condition.
9. Do not open the charger.
10. Do not probe the charger.
11. Intended for indoor use only.

## **ADDITIONAL SAFETY INSTRUCTIONS FOR LINE TRIMMER**

1. Wear safety goggles when operating this tool.
  2. Wear gloves when operating this tool.
  3. Do not expose the tool to rain or high humidity.
  4. Be familiar with the controls and proper use of trimmer.
  5. Never allow children or people unfamiliar with the instructions to use the trimmer.
  6. Keep children, other people and pets away from the trimmer; the grass which is cut and dispersed may contain stones and debris. Stop using the trimmer while people, especially children, or pets are nearby.
  7. Do not let other people or animals come within 15 feet of the trimmer when in use.
  8. Only use the trimmer in daylight or good artificial light.
  9. Before using the trimmer and after any impact, check for signs of wear or damage and repair as necessary; Do not use the trimmer if the cutting device is not secured properly or is damaged.
  10. Always check the good working order of the trimmer which, if not adequate, could endanger the user.
  11. Never operate the trimmer with damaged guards or without the guards in place.
  12. Before starting the trimmer, make sure that the nylon line is not touching stones or debris.
  13. Keep hands and feet away from the cutting means at all times and especially when switching on the motor.
  14. Take care against injury from the cutter blade fitted for trimming the filament line length. After extending new cutter line always return the trimmer to its normal operating position before switching on.
  15. Never fit metal cutting elements.
  16. Never use replacement parts or accessories not provided or recommended by the manufacturer.
  17. Remove the battery before checking, cleaning or working on the trimmer and when it is not in use.
  18. Always ensure that ventilation openings are kept clear of debris.
  19. To avoid unintentional starting, do not carry the machine with a finger on the on/off switch.
  20. Remain in a stable and secure position while operating the trimmer.
  21. Keep the area being cut free from wires, stones and debris.
  22. Do not cut against hard objects. This could cause injury or damage the trimmer.
  23. Warning! Cutting elements continue to rotate after the motor is switched off.
  24. Do not try stopping the cutting device (nylon line) with your hands. Always let it come to a stop by itself.
  25. Do not use the trimmer to cut grass which is not in contact with the ground; for example do not cut grass which is on walls or rocks etc.
  26. Do not cross roads or gravel paths with the trimmer still running.
- NOTE:** Do not switch the line trimmer on and off frequently over a short period of time, and in particular do not play with the ON/OFF switch

## **TECHNICAL DATA**

Model	M0E-17ET-510
Voltage	20VDC
No load speed	1200/min
Blade length	410/460/510mm/
Blade gap	16mm

Blade brake time	<1S
Battery type	Lithium-Ion
Battery capacity	1.3Ah
Battery charging time	About 4 hours

## INTENDED USE

Your hedge trimmer has been designed for trimming hedges, shrubs and brambles, not to be used for any other purpose. This tool is intended for consumer use only.

Your charger has been designed for charging batteries of the type supplied with this tool, NOT ALLOWED TO CHARGE OTHER BATTERIES.

## SAFETY INSTRUCTIONS

### Know your tool

- **Warning!** Carefully observe the instructions in this manual to reduce the risk of personal injury or material damage.
- Read all of this manual carefully before operating the tool.
- Before operating the tool, make sure that you know how to switch the tool off in an emergency.
- Retain this manual for future reference.

### General Safety Rules

**WARNING!** Read all instructions, failure to follow all instructions listed below may result in electric shock, fire and/or serious injury. The term “power tool” in all of the warnings listed below refers to your battery operated (cordless) power tool.

SAVE THESE INSTRUCTIONS

#### 1) Work area

- a) **Keep work area clean and well lit.** Cluttered and dark areas invite injuries.
- b) **Do not operate power tools in explosive atmospheres, such as in the presence of flammable liquids, gases or dust.** Power tools create sparks which may ignite the dust or fumes.
- c) **Keep children and bystanders away while operating a power tool.** Distractions can cause you to lose control.

#### 2) Electrical safety

- a) **Avoid body contact with earthed or grounded surfaces such as pipes, radiators, ranges and refrigerators.** There is an increased risk of electric shock if your body is earthed or grounded.
- b) **Do not expose power tools to rain or wet conditions.** Water entering a power tool will increase the risk of electric shock.

#### 3) Personal safety

- a) **Stay alert, watch what you are doing and use common sense when operating a power tool. Do not use a power tool while your tired or under the influence of drugs, alcohol or medication.** A moment of inattention while operating power tools may result in serious personal injury.
- b) **Use safety equipment. Always wear eye protection.** Safety equipment such as dust mask, non-skid safety shoes, hard hat, or hearing protection used for appropriate conditions will reduce personal injuries.
- c) **Avoid accidental starting. Ensure the switch is in the off position before plugging in.** Carrying power tools with your finger on the switch or plugging in power tools that have the switch on invites accidents.
- d) **Remove any adjusting key or wrench before turning the power tool on.** A wrench or a key left attached to a rotating part of the power tool may result in personal injury.
- e) **Do not overreach. Keep proper footing and balance at all times.** This enables better control of the power tool in unexpected situations.
- f) **Dress properly. Do not wear loose clothing or jewellery. Keep your hair, clothing and gloves away from moving parts.** Loose clothes, jewellery or long hair can be caught in moving parts.

**g) If devices are provided for the connection of dust extraction and collection facilities, ensure these are connected and properly used.** Use of these devices can reduce dust related hazards.

#### **4) Power tools use and care**

**a) Do not force the power tool. Use the correct power tool for your application.** The correct power tool will do the job better and safer at the rate for which it was designed.

**b) Do not use the power tool if the switch does not turn it on and off.** Any power tool that cannot be controlled with the switch is dangerous and must be repaired.

**c) Disconnect the plug from the power source before making any adjustments, changing accessories, or storing power tools.** Such preventive safety measures reduce the risk of starting the power tool accidentally.

**d) Store idle power tools out of the reach of children and do not allow persons unfamiliar with the power tool or these instructions to operate the power tool.** Power tools are dangerous in the hands of untrained users.

**e) Maintain power tools. Check for misalignment or binding of moving parts, breakage of parts and any other condition that may affect the power tools operation. If damaged, have the power tool repaired before use.** Many accidents are caused by poorly maintained power tools.

**f) Keep cutting tools sharp and clean.** Properly maintained cutting tools with sharp cutting edges are less likely to bind and are easier to control.

**g) Use the power tool, accessories and tool bits etc., in accordance with these instructions and in the manner intended for the particular type of power tool, taking into account the working conditions and the work to be performed.** Use of the power tool for operations different from intended could result in a hazardous situation.

#### **5) Battery tool use and care**

**a) Ensure the switch is in the off position before inserting battery pack.** *Inserting the battery pack into power tools that have the switch on invites accidents.*

**b) Recharge only with the charger specified by the manufacturer.** *A charger that is suitable for one type of battery pack may create a risk of fire when used with another battery pack.*

**c) Use power tools only with specifically designated battery packs.** *Use of any other battery packs may create a risk of injury and fire.*

**d) When battery pack is not in use, keep it away from other metal objects like paper clips, coins, keys, nails, screws, or other small metal objects that can make a connection from one terminal to another.** *Shorting the battery terminals together may cause burns or a fire.*

**e) Under abusive conditions, liquid may be ejected from the battery; avoid contact. If contact accidentally occurs, flush with water. If liquid contacts eyes, additionally seek medical help.** *Liquid ejected from the battery may cause irritation or burns.*

#### **6) Service**

**a) Have your power tool serviced by a qualified repair person using only identical replacement parts.** *This will ensure that the safety of the power tool is maintained.*

#### **Additional safety instructions for batteries and chargers**

##### **Batteries**

- Never attempt to open for any reason
- Do not expose to water
- Do not incinerate the battery pack even if it is severely damaged or is completely worn out. The battery pack can explode in a fire.
- Do not store in locations where the temperature may exceed 40°C
- Do not leave the battery pack in the charger when the charging is finished, otherwise battery leakage may occur.
- Charge only at room temperature.
- Charge only at using the charger provided with the tool (see technical data)
- Before charging, make sure that the battery is dry and clean.
- Use only the correct type of battery for the tool(see technical data).
- When dispose of batteries follow the instructions given in the section "protecting the environment".
- Under extreme conditions, battery leakage may occur. When you notice liquid on the battery, proceed as follows:
  - Carefully wipe the liquid off using a cloth. Avoid skin contact.



- In case of skin or eye contact, follow the instructions below.

The battery fluid, a 25-30% solution of potassium hydroxide, can be harmful. In case of skin contact, immediately rinse with water. Neutralize with a mild acid such as lemon juice or vinegar. In case of eye contact, rinse abundantly with clean water for at least 10 minutes. Consult a physician.

### **Chargers**

- **Charger's plug must match the outlet. Never modify the plug in any way.** Unmodified plugs and matching outlets will reduce risk of electric shock..
- Use your charger only to charge batteries of the type supplied with your tool. Other batteries could burst, causing personal injury and damage.
- Only 2 battery packs is allowed to be charged continuously in order to prevent overheating of charger, necessary rest time is required to let the charger cool down before further charging.
- When charging is finished, unplug the charger from mains socket outlet and take away the battery pack from the charger, do not leave the battery pack in the charger.
- Never carry the charger by its cord or pull it to disconnect from the socket. Keep the cord away from heat , oil and sharp edges .
- Never attempt to charge non-rechargeable batteries.
- The cord of charger is not changeable, do not continue to use if the cord is damaged.
- Do not expose to water or rain, do not use in wet condition.
- Do not open the charger.
- Do not probe the charger.
- Intended for indoor use only

### **Additional safety instructions for hedge trimmers**

Wear safety goggles when operating this tool.

Wear gloves when operating this tool.

Do not expose the tool to rain or high humidity.

- **THIS TOOL CAN CAUSE SERIOUS INJURIES.** Read instructions carefully for the correct handling, preparation, maintenance, starting and stopping of the tool. Be familiar with all controls and proper use of the tool;
- Only use the tool in daylight or good artificial light.
- Never allow children to use the tool;
- Beware of overhead power lines;
- Avoid operating while people, especially children are nearby;
- Dress properly! Do not wear loose clothing or jewelry which can be caught in moving parts. Use of sturdy gloves, non-skid footwear, and safety glasses is recommended;
- If the tool stalls, immediately switch it off. Remove the battery before attempting to remove any obstructions;
- Remove the battery before checking, maintenance or working on the tool;
- While operating the tool be always sure of a safe and secure operating position especially when using steps or a ladder;
- Do not attempt to repair the tool;
- Do not operate the tool with a damaged or excessively worn cutting device;
- Always wear ear protection, goggle and helmet during operating;
- Always ensure that all guards are fitted when using the tool. Never attempt to use an incomplete tool or a tool with unauthorized modifications;
- Always use two hands to operate the tool;
- When transporting or storing the tool always fit the blade sheath.
- Always be aware of your surroundings and stay alert for possible hazards that you may not hear due to the noise of the tool;
- Do not carry the tool with your hands on the switch unless the battery has been removed .
- If you have not used a hedge trimmer before, preferably seek practical instruction by an experienced user in addition to studying this manual.
- Never touch the blades while the tool is running .
- Never attempt to force the blades to come to a standstill.
- Do not put the tool down until the blade have come to a complete standstill .
- Regularly check the blades for damage and wear . Do not use the machine when the blades are damaged.
- Take care to avoid hard objects (e.g. metal wire, railings)when trimming. Should you accidentally hit any such object immediately switch the tool off and check for any damage.
- Should the tool start to vibrate abnormally, immediately switch it off and check for any damage.
- Always be aware of falling debris when cutting the higher sides of a hedge.
- Be aware of the cutting blade, always wear gloves to protect your hands from cut.

## ELECTRICAL SAFETY

Your charger has designed for a specific mains voltage. Always check that the mains voltage corresponds to the voltage on the rating plate.

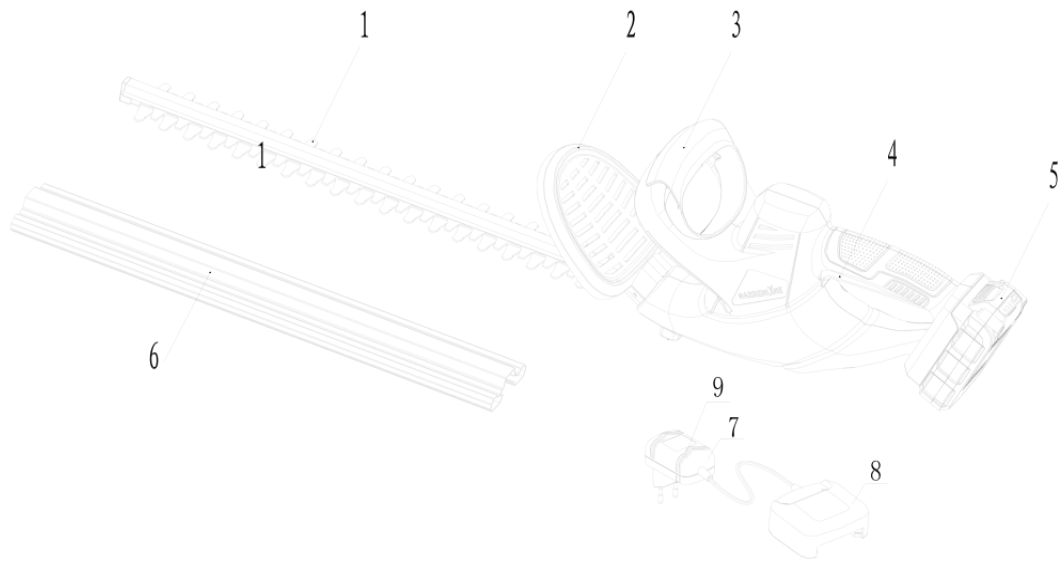


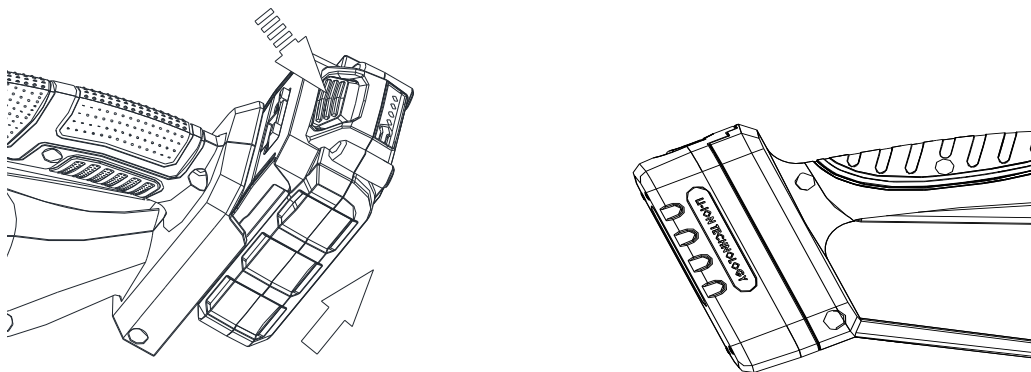
Fig.A

## OVERVIEW(Fig.A)

1. Blade    2. Guard    3. Front handle    4. Main switch    5. Battery pack    6. Blade sheath  
7. Charger    8. Charging indicator    9. Charge station

## ASSEMBLY

Warning! Before assembly, remove the battery pack from the tool.



F

Fig.B

### Fitting and removing the battery(Fig.B)

Your hedge trimmer is equipped with a battery pack, which powers the unit.

#### To fit battery pack

1. Place battery pack in your hedge trimmer. Align raised rib on battery pack with groove inside hedge trimmer. See Figure B.
2. Make sure the latches on each side of your battery pack snap in place and battery pack secured in hedge trimmer before beginning operation.

#### To remove battery pack

1. Locate latches on end of battery pack and depress to release battery pack from your hedge trimmer.
2. Remove battery pack from your hedge trimmer. See Figure B.

## USE

Let the tool work at its own pace.  
Do not overload.

### •CHARGING THE BATTERY(fig.C)

The battery needs to be charged before first use and whenever it fails to produce sufficient power on jobs that were easily done before. When charging the battery for the first time, or after prolonged storage, it will only accept an 80% charge. After several charge and discharge cycles, the battery will attain full capacity. The battery may become warm while charging, this is normal and does not indicate a problem .

Remove it from the tool and insert it into the charge station (8). The battery pack will only fit into the charge in one way. Do not force .Be sure that battery is fully seated in the charger.

Your battery can be charged in the 4-5 hours charger supplied. Be sure to read all safety instructions before using your charger. This product is not user serviceable. There are no user serviceable parts inside the charger. Servicing at an authorized service center is required to avoid damage to static sensitive internal components.

Read all of the instructions in the battery charger section of this manual before attempting to charge the battery pack for your tool. Always use correct battery pack (pack supplied with tool or replacement pack exactly like it). Never install any other battery pack, it will ruin your tool and may create a hazard.

#### 1 .Charging procedure

These chargers require no adjustment and are designed to be as easy as possible to operate. Simply place your battery pack into the receptacle of a plugged in charger and it will automatically charge the pack.

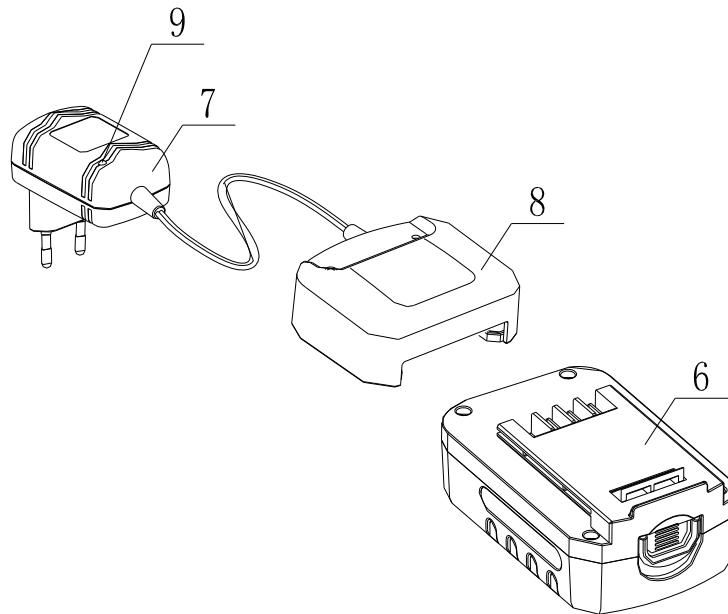


Fig C

- (1). Connect the charger 7 to the charger station 8.
- (2). Plug the charger into an appropriate AC power outlet. The LED 9 lights green to tell you that the charger is ready for use.
- (3). Insert the charger station 8 into the battery pack 6, as shown in Fig 17, making sure the charger station is fully seated in the battery pack. The LED 9 lights red to tell you that the battery pack is on charge.

**Attention! It can not be charged if charging the battery immediately after using the machine. The battery pack should be cooling for a period of time. The LED 9 lights from green to red means it can be charged.**

- (4).The battery pack will be fully charged in about 4 hours. And the LED 9 lights green again to tell you that the battery pack is fully charged.

## **2 . Important charging notes.**

Longest life and best performance can be obtained if the battery pack is charged when the air temperature is between 18-24°C. Do not charge the battery pack in a very low or very high air temperature. This is important and will prevent serious damage to the battery pack.

(1). The charger and battery pack may become warm to touch while charging. This is a normal condition, and does not indicate a problem.

(2). Use the charger in normal room temperatures whenever possible. To prevent overheating, do not cover the charger and do not charge battery packs in direct sunlight or near heat sources.

(3). If the battery pack does not charge properly –(1).check current at receptacle by plugging in a lamp or other appliance. (2) move charger and battery pack to a location where the surrounding air temperature is approximately 18-24°C. (3).if charging problems persist, take or send the tool , battery pack and charger to your local service center.

(4). The battery pack should be recharged when it fails to produce sufficient power on jobs which were easily done previously. DO NOT CONTINUE to use under these conditions. Follow the charging procedure. You may also charge a partially used pack whenever you desire with no adverse affect on the battery pack.

(5). Under certain conditions, with the charger plugged in to the power supply, the exposed charging contacts inside the charger can be shorted by foreign material. Foreign materials of a conductive nature such as, but no limited to, steel wool, aluminum foil, or any buildup of metallic particles should be kept away from charger cavities. Always unplug the charger from the power supply when there is no battery pack in the cavity. Unplug charger before attempting to clean.

(6). Do not immerse charger in water or any other liquid.

(7). WARNING!!!: don't allow any liquid to get inside charger. Electric shock may result. To facilitate the cooling of the battery pack after use, avoid placing the charger or battery pack in a warm environment such as in a metal shed, or an uninsulated trailer.

(8). CAUTION!!!: never attempt to open the battery pack for any reason. If the plastic housing of the battery pack breaks or cracks, return to a service center for recycling, do not put it into further use.

## ·SWITCH ON AND OFF (Fig.D)

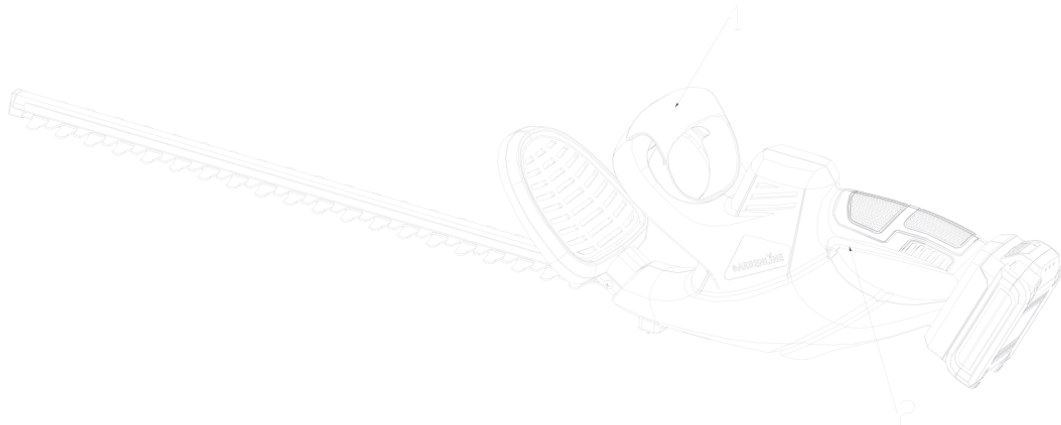


fig.D

For your safety, this tool is equipped with a double switch system. This system prevents starting the tool inadvertently and will only allow operation while holding the tool with both hands.

### **Switching on**

- Squeeze the front handle switch (1).
- Squeeze the front trigger switch (2).

### **Switching off**

- Release the front handle switch (1) or the trigger switch(2).

**Never attempt to lock a switch in the on position.**

## **MAINTENANCE**

Your tool has been designed to operate over a long period of time with a minimum of maintenance. Continuous satisfactory operation depends upon proper tool care and regular cleaning. Your charger does not require any maintenance apart from regular cleaning.

1. Before performing any maintenance on the tool, remove the battery from the tool. Unplug the charger before cleaning it.
2. After use, carefully clean the blades.
3. After cleaning, apply a film of light machine oil to prevent the blades from rusting.
4. Regularly clean the ventilation slots in your tool and charger using a soft brush or dry cloth.
5. Regularly clean the motor housing using a damp cloth. Do not use any abrasive or solvent-based cleaner.



## **WARNINGS!**

**This Product May Contain A Chemical Known  
To The State of California To Cause Cancer, Or  
Birth Defects Or Other Reproductive Harm.**

### **PARTS AND SERVICE:**

**HOW TO OBTAIN REPLACEMENT PARTS:** A replacement parts list is available online at [Ukoke.com](http://Ukoke.com)/[Amazon.com](http://Amazon.com)/[Walmart.com](http://Walmart.com)/[newegg.com](http://newegg.com)., Replacement parts can be purchased online or by calling Ukoke Customer specialist (909)-734-6812 or by Email:[Info@ukoke.com](mailto:Info@ukoke.com)

**HOW TO LOCATE A Return CENTER:** Return centers can be located at 9848 E. Rush St., #C S, SOUTH EL MONTE, California 91733. Ukoke Customer specialist (909)-734-6812 or by Email:[Info@ukoke.com](mailto:Info@ukoke.com)

# WARRANTY

## LIMITED WARRANTY STATEMENT

UKOKE TECH INC., warrants to the original retail purchaser that this UKOKE™ brand outdoor product is free from defect in material and workmanship and agrees to repair or replace, at UKOKE TECH INC.'s, discretion, any defective product free of charge within these time periods from the date of purchase.

n Three years if the product is used for personal, family or household use;

n 90 days, if used for any other purpose, such as commercial.

This warranty extends to the original retail purchaser only and commences on the date of the original retail purchase.

Any part of this product found in the reasonable judgment of UKOKE TECH INC. to be defective in material or workmanship will be repaired or replaced without charge for parts and labor by an authorized service center for UKOKE™ brand outdoor products.

The product, including any defective part, must be returned to an authorized UKOKE service center within the warranty period. The expense of delivering the product to the service center for warranty work and the expense of returning it back to the owner after repair or replacement will be paid by the owner. UKOKE TECH INC.'s, responsibility in respect to claims is limited to making the required repairs or replacements and no claim of breach of warranty shall be cause for cancellation or rescission of the contract of sale of any UKOKE™ brand outdoor product. Proof of purchase will be required by the dealer to substantiate any warranty claim. All warranty work must be performed by an authorized service dealer.

This warranty is limited to ninety (90) days from the date of original retail purchase for any UKOKE™ brand outdoor product that is used for rental or commercial purposes, or any other income-producing purpose. This warranty does not cover any product that has been subject to misuse, neglect, negligence, or accident, or that has been operated in any way contrary to the operating instructions as specified in this operator's manual. This warranty does not apply to any damage to the product that is the result of improper maintenance or to any product that has been altered or modified. The warranty does not extend to repairs made necessary by normal wear or by the use of parts or accessories which are either incompatible with the UKOKE™ brand outdoor product or adversely affect its operation, performance, or durability. In addition, this warranty does not cover:

A. Tune-ups – Spark Plugs, Carburetor, Carburetor Adjustments, Ignition, Filters

B. Wear items – Bump Knobs, Outer Spools, Cutting Lines, Inner Reels, Starter Pulleys, Starter Ropes, Drive Belts, Tines, Felt Washers, Hitch Pins, Mulching Blades, Blower Fans, Blower and Vacuum Tubes, Vacuum Bag and Straps, Guide Bars, Saw Chains

ALL IMPLIED WARRANTIES ARE LIMITED IN DURATION TO THE STATED WARRANTY PERIOD. ACCORDINGLY, ANY SUCH IMPLIED WARRANTIES INCLUDING MERCHANTABILITY, FITNESS FOR A PARTICULAR PURPOSE, OR OTHERWISE, ARE DISCLAIMED IN THEIR ENTIRETY AFTER THE EXPIRATION OF THE APPROPRIATE THREE-YEAR OR NINETY-DAY WARRANTY PERIOD. UKOKE TECH INC.'S, OBLIGATION UNDER THIS WARRANTY IS STRICTLY AND EXCLUSIVELY LIMITED TO THE REPAIR OR REPLACEMENT OF DEFECTIVE PARTS AND UKOKE TECH INC., DOES NOT ASSUME OR AUTHORIZE ANYONE TO ASSUME FOR THEM ANY OTHER OBLIGATION. SOME STATES DO NOT ALLOW LIMITATIONS ON HOW LONG AN IMPLIED WARRANTY LASTS, SO THE ABOVE LIMITATION MAY NOT APPLY TO YOU. UKOKE TECH INC., ASSUMES NO RESPONSIBILITY FOR INCIDENTAL, CONSEQUENTIAL, OR OTHER DAMAGES INCLUDING, BUT NOT LIMITED TO, EXPENSE OF RETURNING THE PRODUCT TO AN AUTHORIZED UKOKE SERVICE CENTER AND EXPENSE OF DELIVERING IT BACK TO THE OWNER, MECHANIC'S TRAVEL TIME, TELEPHONE OR TELEGRAM CHARGES, RENTAL OF A LIKE PRODUCT DURING THE TIME WARRANTY SERVICE IS BEING PERFORMED, TRAVEL, LOSS OR DAMAGE TO PERSONAL PROPERTY, LOSS OF REVENUE, LOSS OF USE OF THE PRODUCT, LOSS OF TIME, OR INCONVENIENCE. SOME STATES DO NOT ALLOW THE EXCLUSION OR LIMITATION OF INCIDENTAL OR CONSEQUENTIAL DAMAGES, SO THE ABOVE LIMITATION OR EXCLUSION MAY NOT APPLY TO YOU.

This warranty gives you specific legal rights, and you may also have other rights which vary from state to state.

This warranty applies to all UKOKE™ brand outdoor products manufactured by or for UKOKE TECH INC., and sold in the United States and Canada.