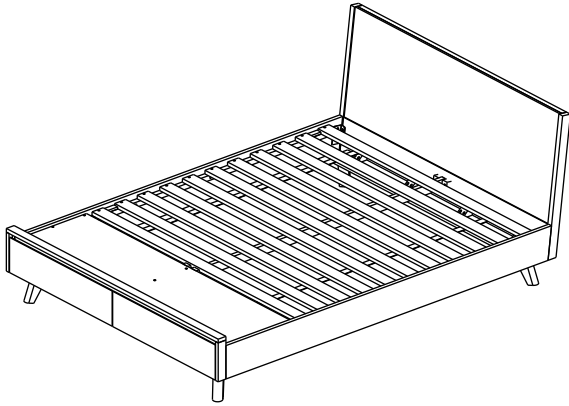


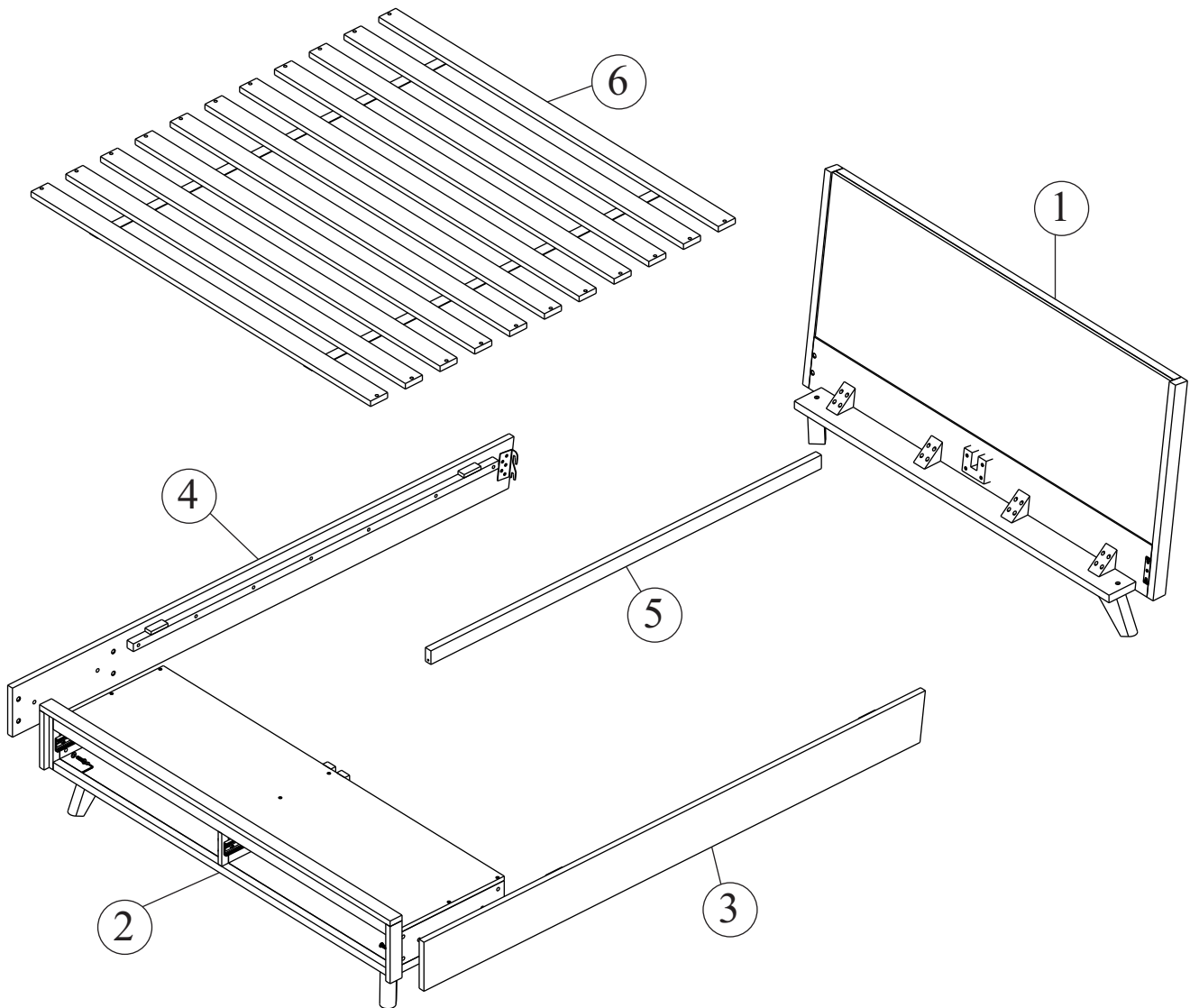
## ASSEMBLY INTRUCTION



**JOEY QUEEN BED**

### BEFORE YOU START

1. Choose a clean, level, spacious assembly area. Avoid hard surfaces that may damage the product.
2. Check and ensure that you have all required contents for complete assembly.
3. Always read the assembly instructions carefully before beginning assembly.
4. The packaging and contents can be a choking hazard, therefore keep out of reach of small children at all times.
5. Do not over tighten the bolts as this may damage the thread.



A.(M8x20)x4



B.(M8x30)x8



C.(Ø4x25)x22



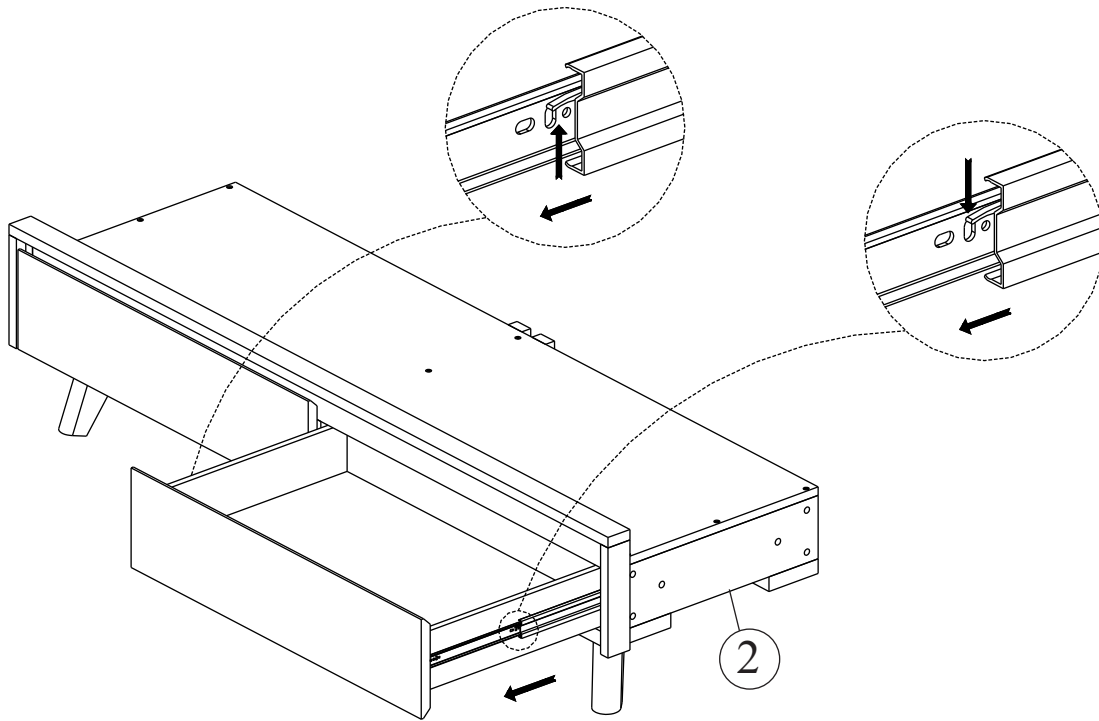
D.(Ø8x18)x8



E.(4mm)x1

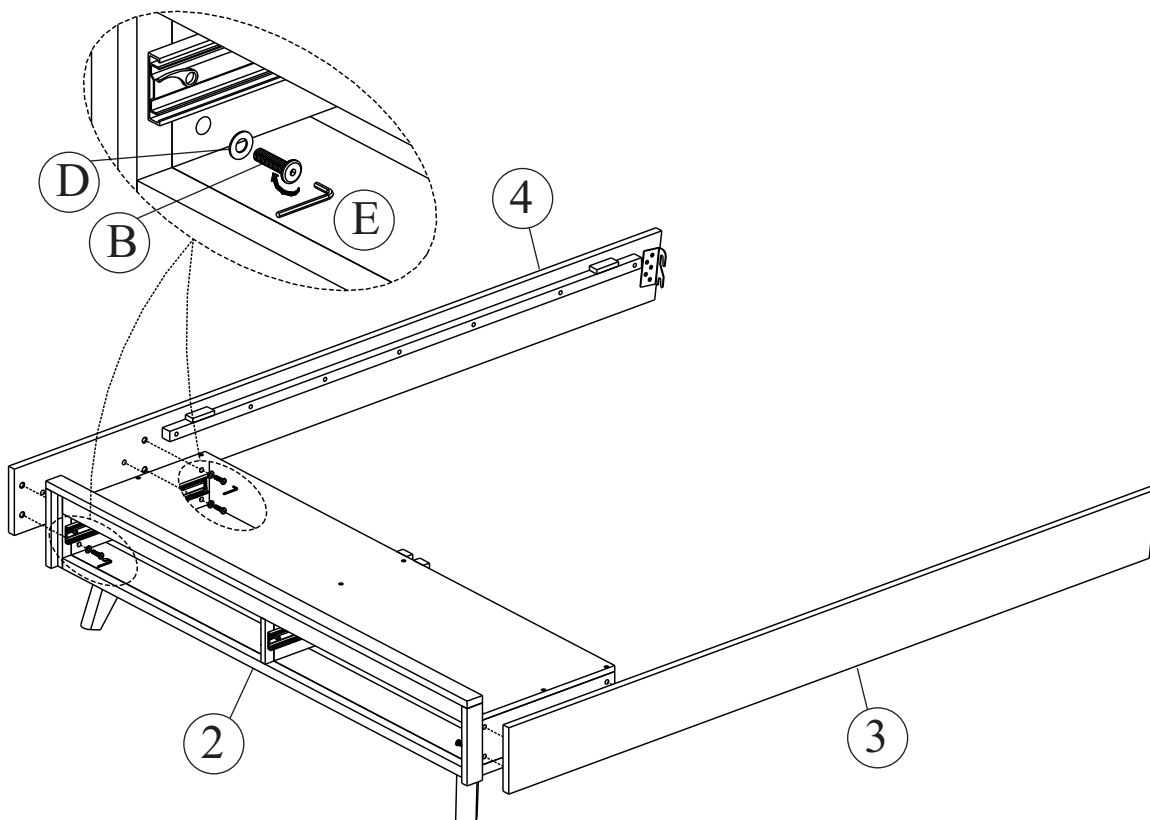
## Step 1

Remove drawers on the footboard **2** before assemble



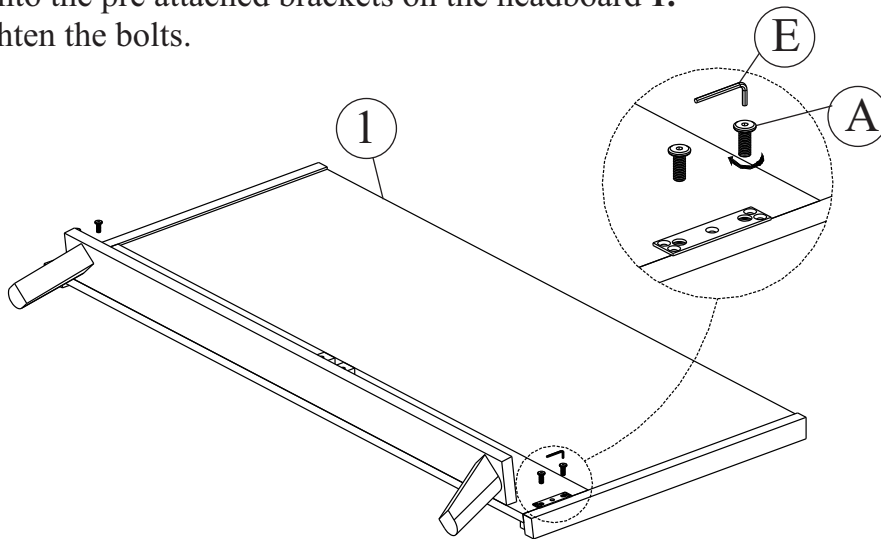
## Step 2

Assemble Side rail **3** & **4** to the footboard **2** using bolts **B**, washer **D**



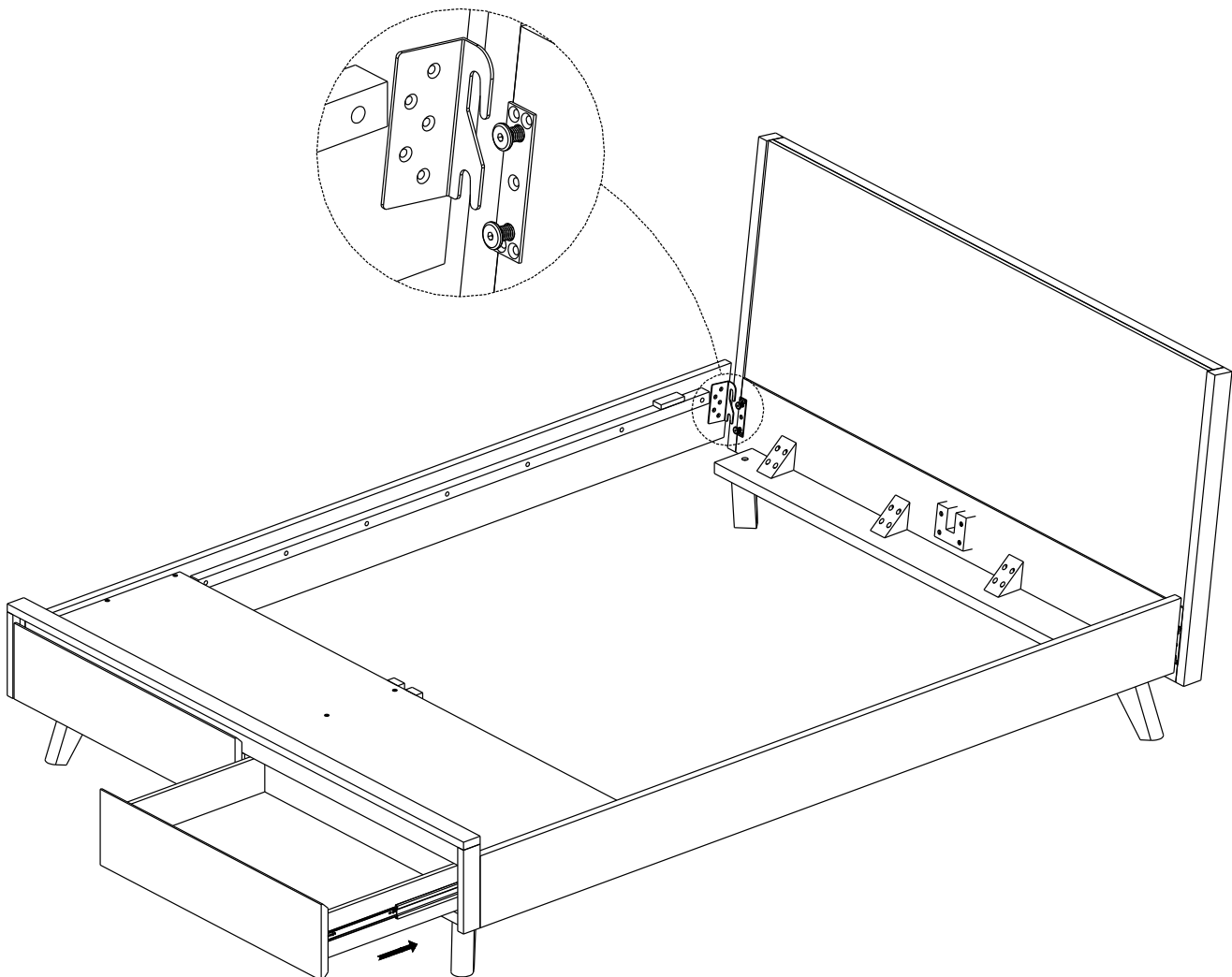
### Step 3

Insert bolts **A**, into the pre attached brackets on the headboard **1**.  
Do not fully tighten the bolts.



### Step 4

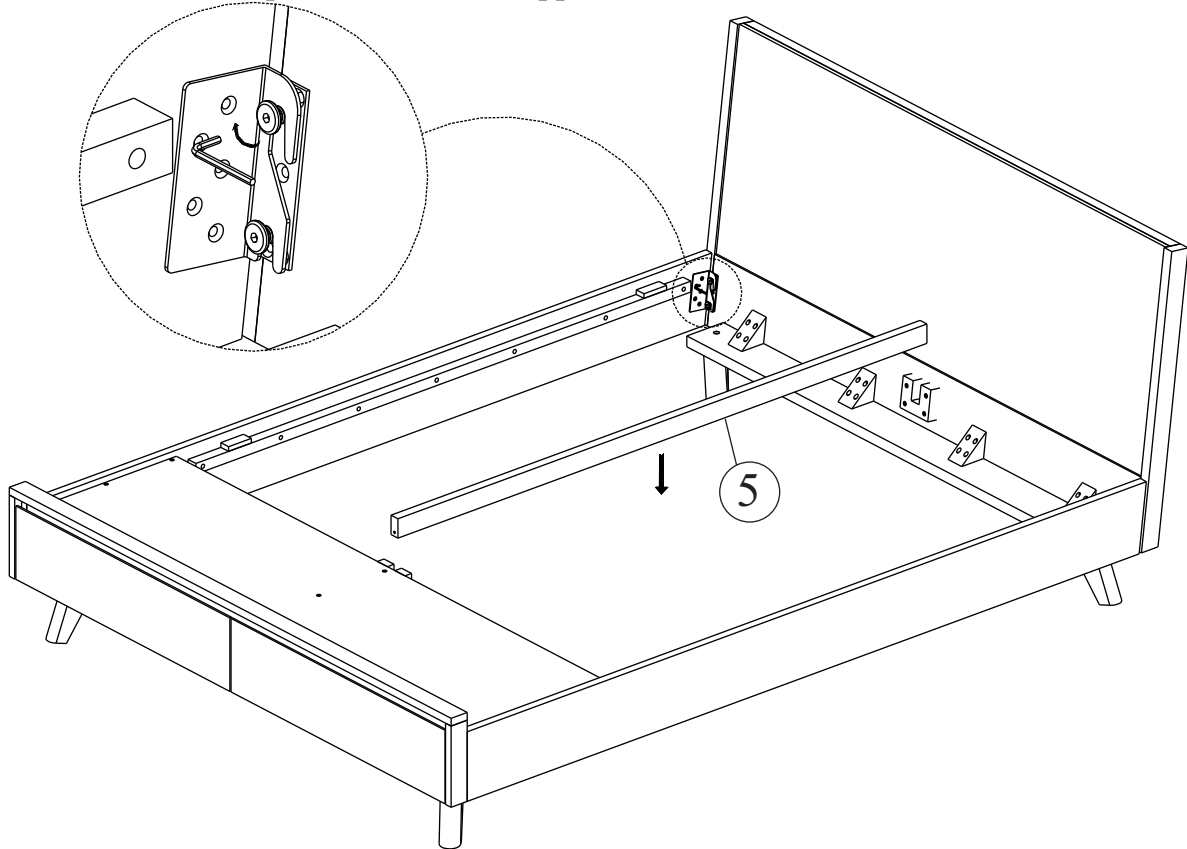
Assemble the structure in Step 2 & 3, as shown  
Assemble drawers in the footboard



## Step 5

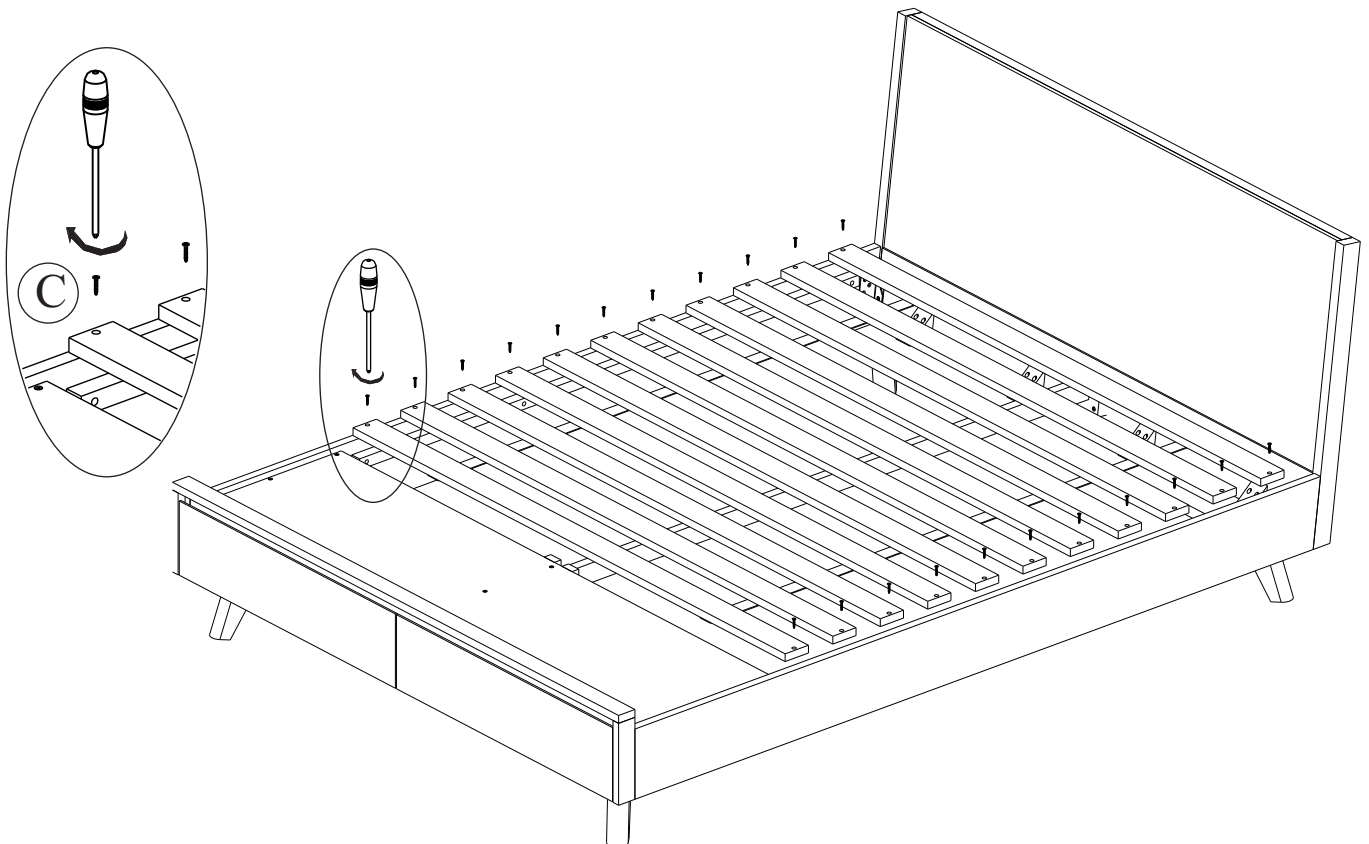
Tighten the bolts to secure side rails

Attach the structure in Step 4 to the central support rail 5 as shown



## Step 6

Insert the slats 6 into the side and central rails and secure using screws 3



## Step 6

Assembly is complete

