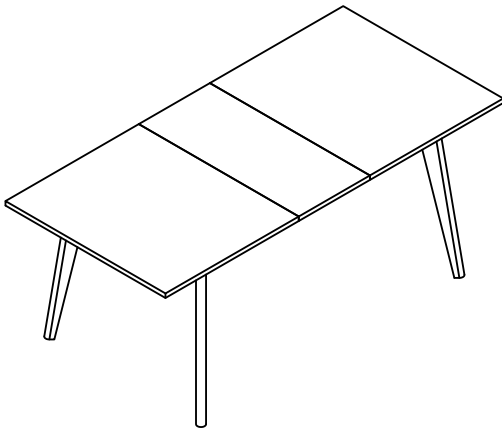


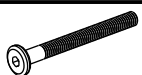
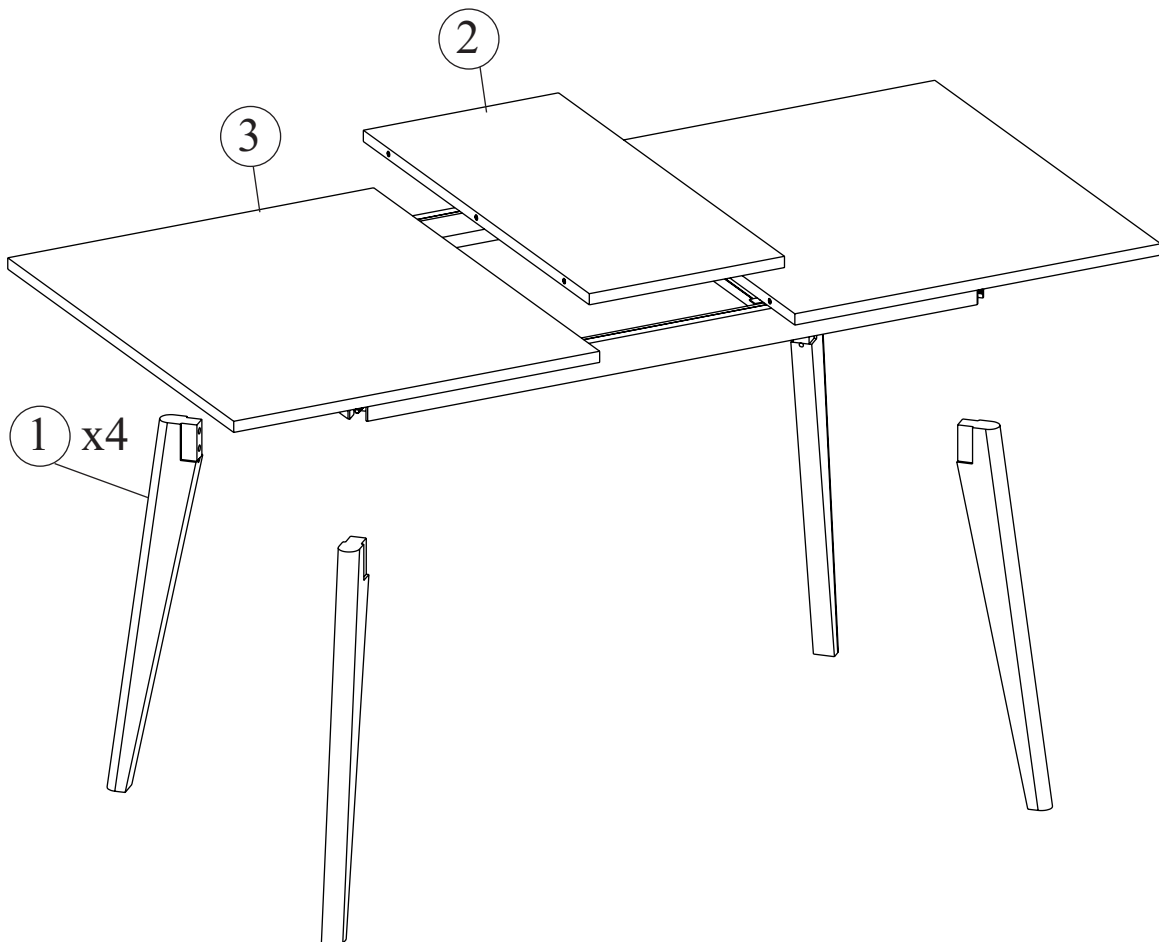
ASSEMBLY INSTRUCTION



JERRY TABLE

BEFORE YOU START

1. Choose a clean, level, spacious assembly area. Avoid hard surfaces that may damage the product.
2. Check and ensure that you have all required contents for complete assembly.
3. Always read the assembly instructions carefully before beginning assembly.
4. The packaging and contents can be a choking hazard, therefore keep out of reach of small children at all times.
5. Do not over tighten the bolts as this may damage the thread.



A.(M8x80)x8



B.(Ø8x14)x8



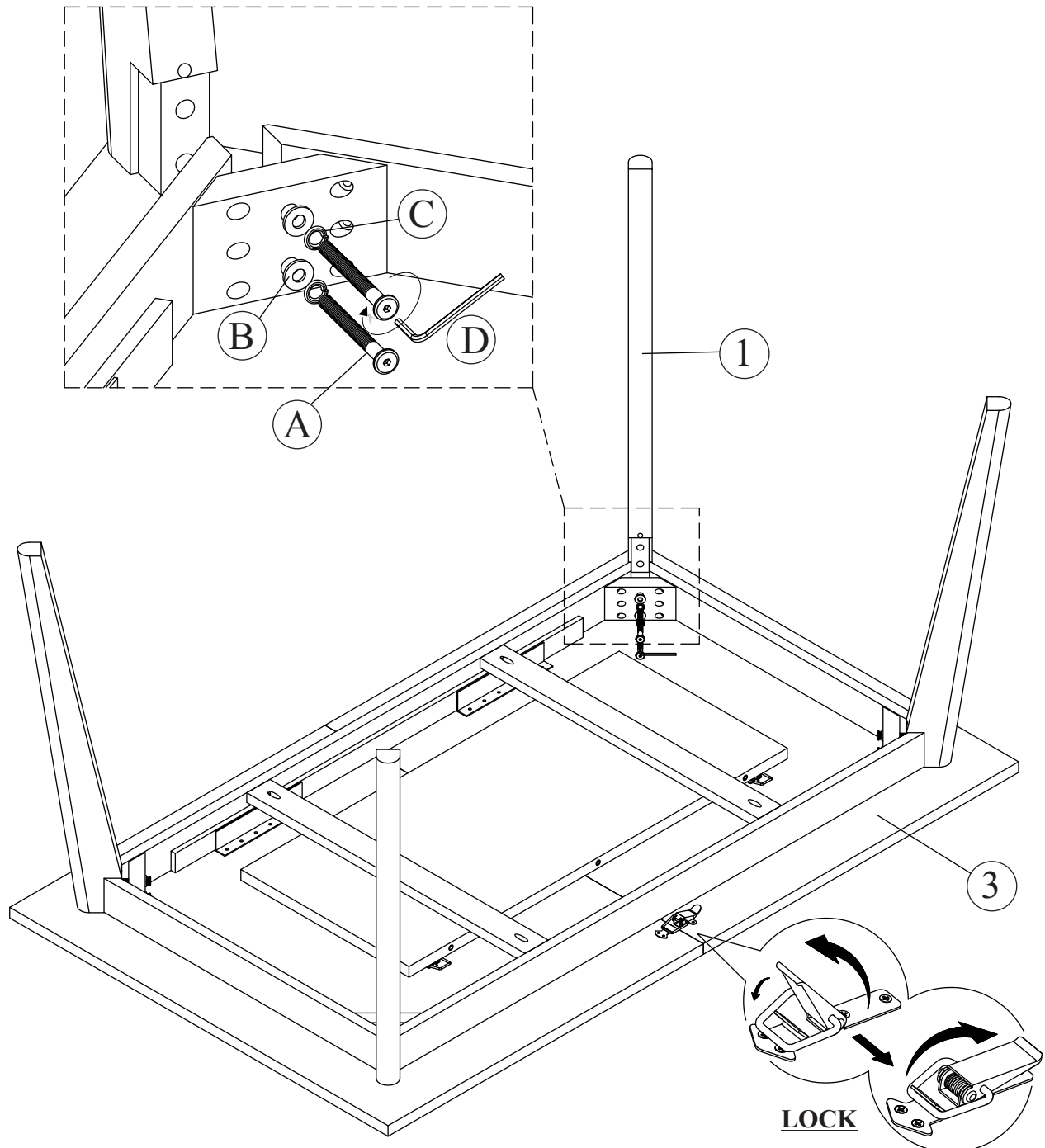
C.(Ø8x18)x8



D.(4mm)x1

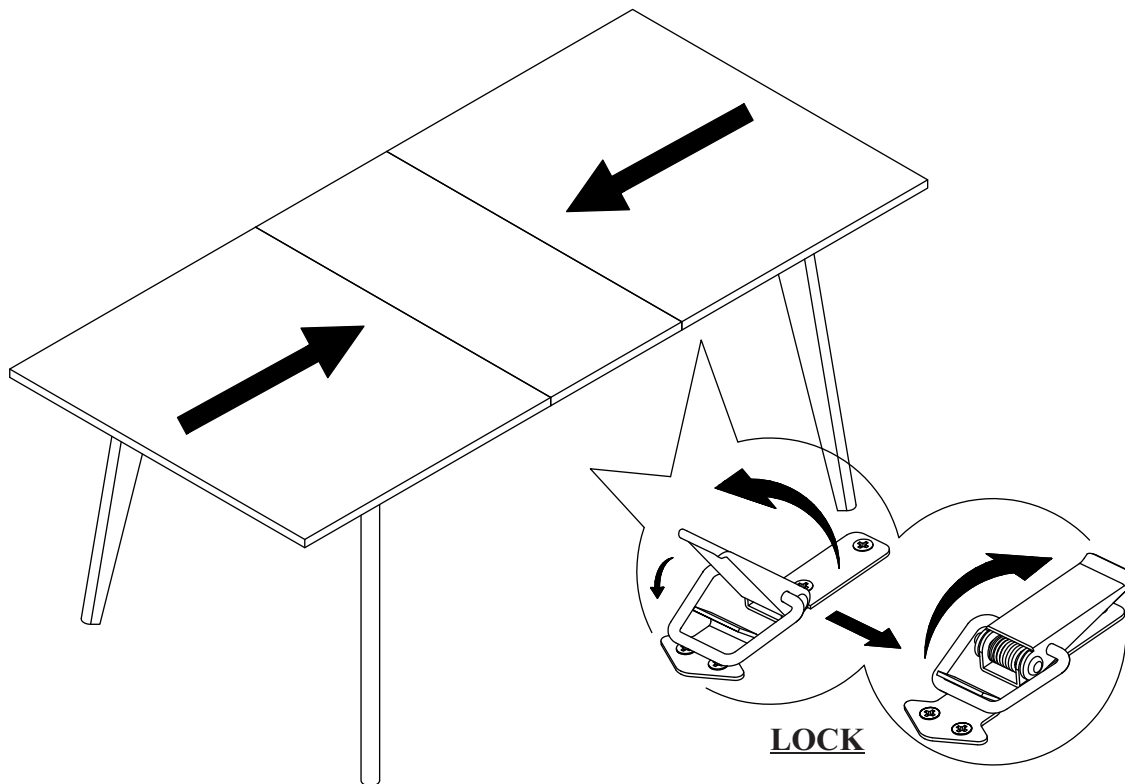
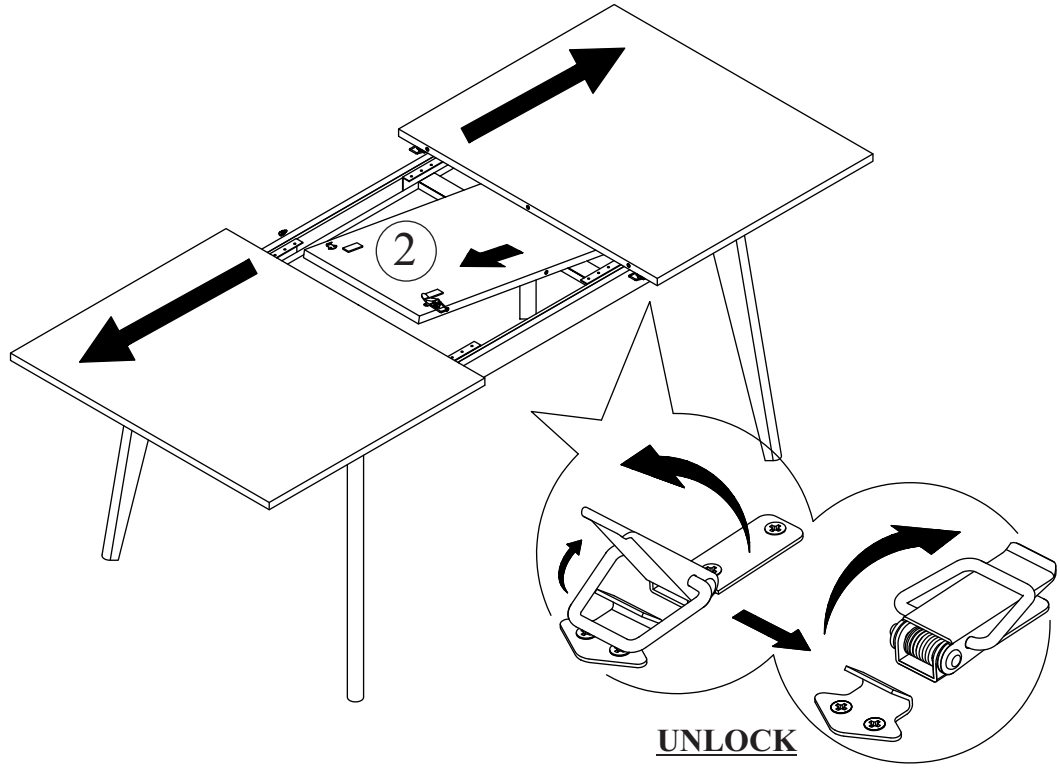
Step 1

Assemble the legs to the bottom of table with bolts **A**, spring washer **B**, washer **C**

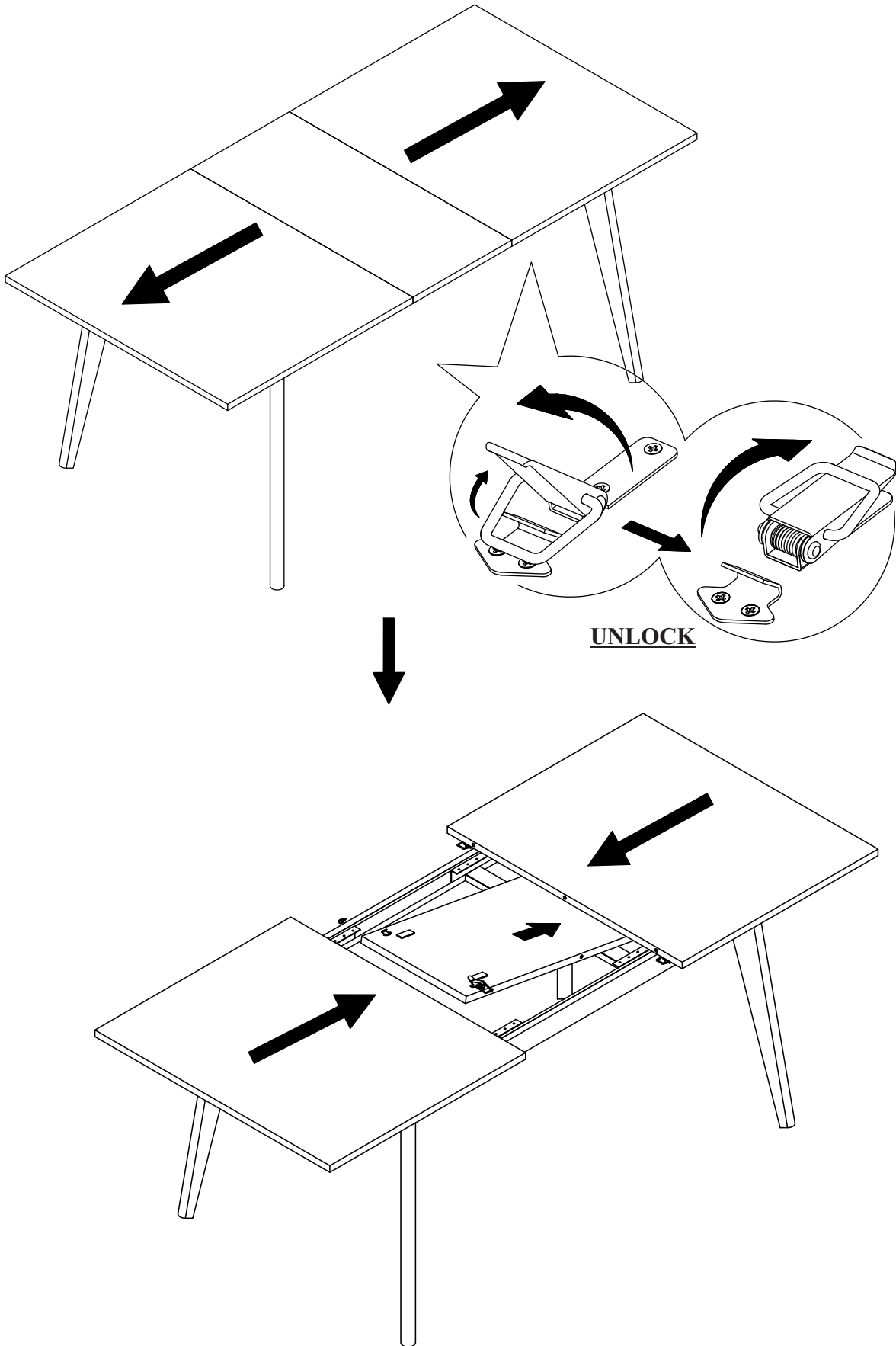


Step 2

Extension with table leaf 2



Step 3



Step 4

Assembly is complete

