
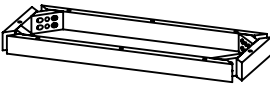
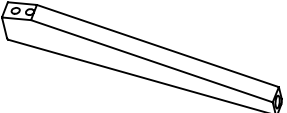









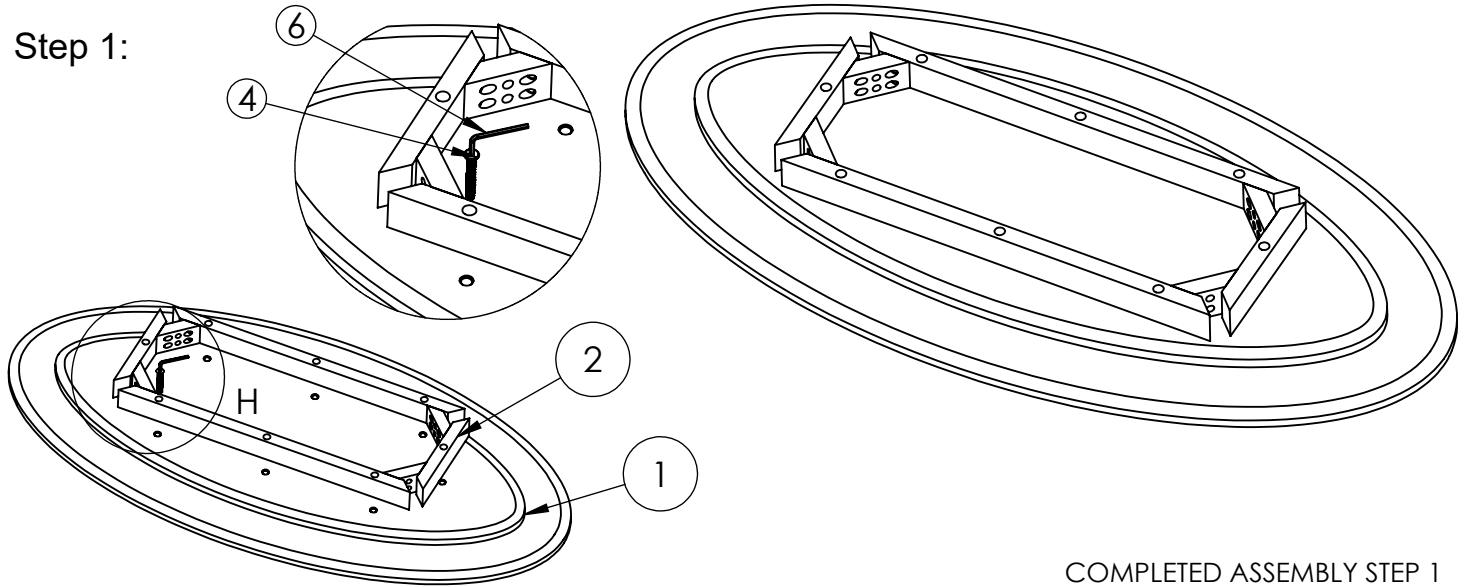
# ASSEMBLY INSTRUCTION

## BORIA

HARDWARE LIST:

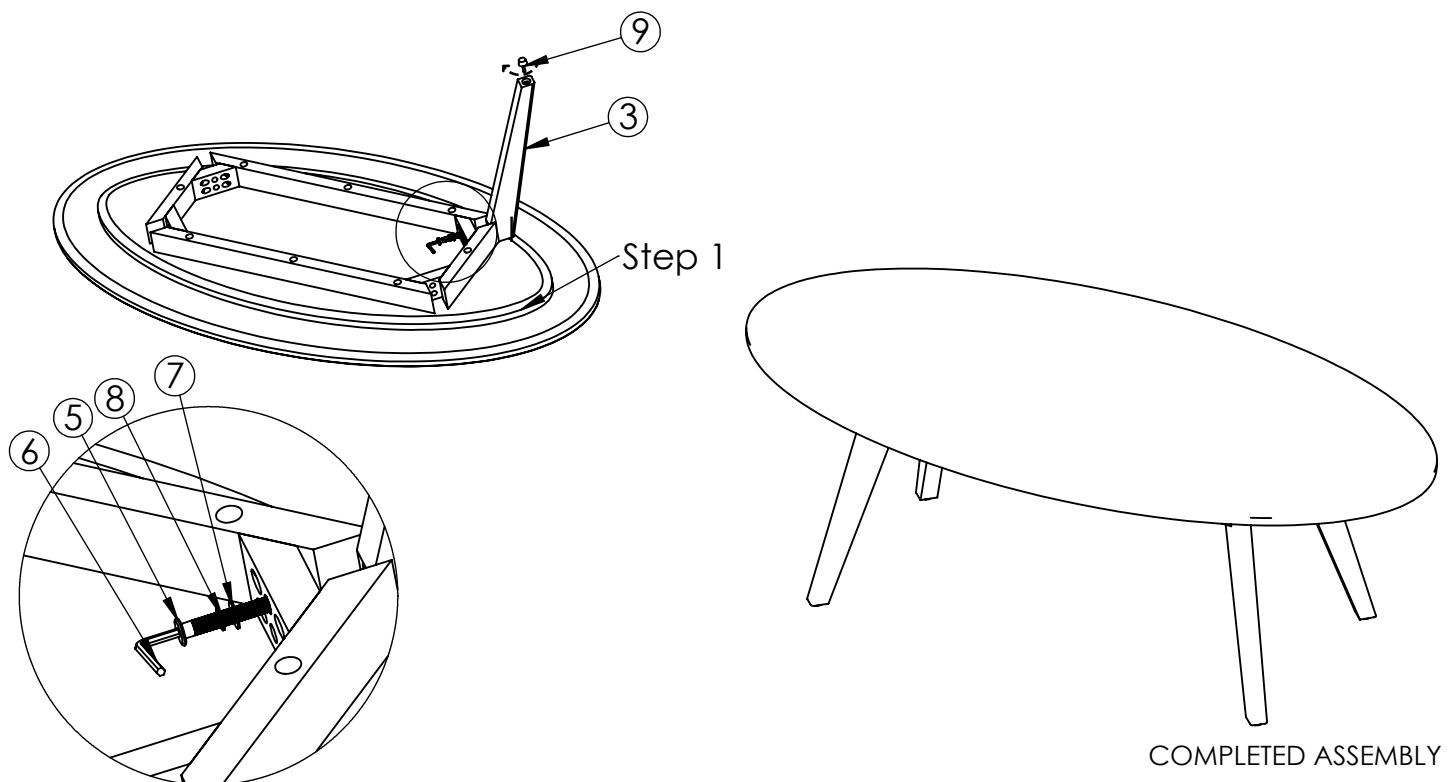
①	1PCS	②	1PCS	③	4PCS	④	M8X40	8PCS	⑤	M8X45	8PCS
											
⑥	M5	1PCS	⑦	8PCS	⑧	8PCS	⑨	4PCS	⑩		
											

Step 1:



COMPLETED ASSEMBLY STEP 1

Step 2:



COMPLETED ASSEMBLY