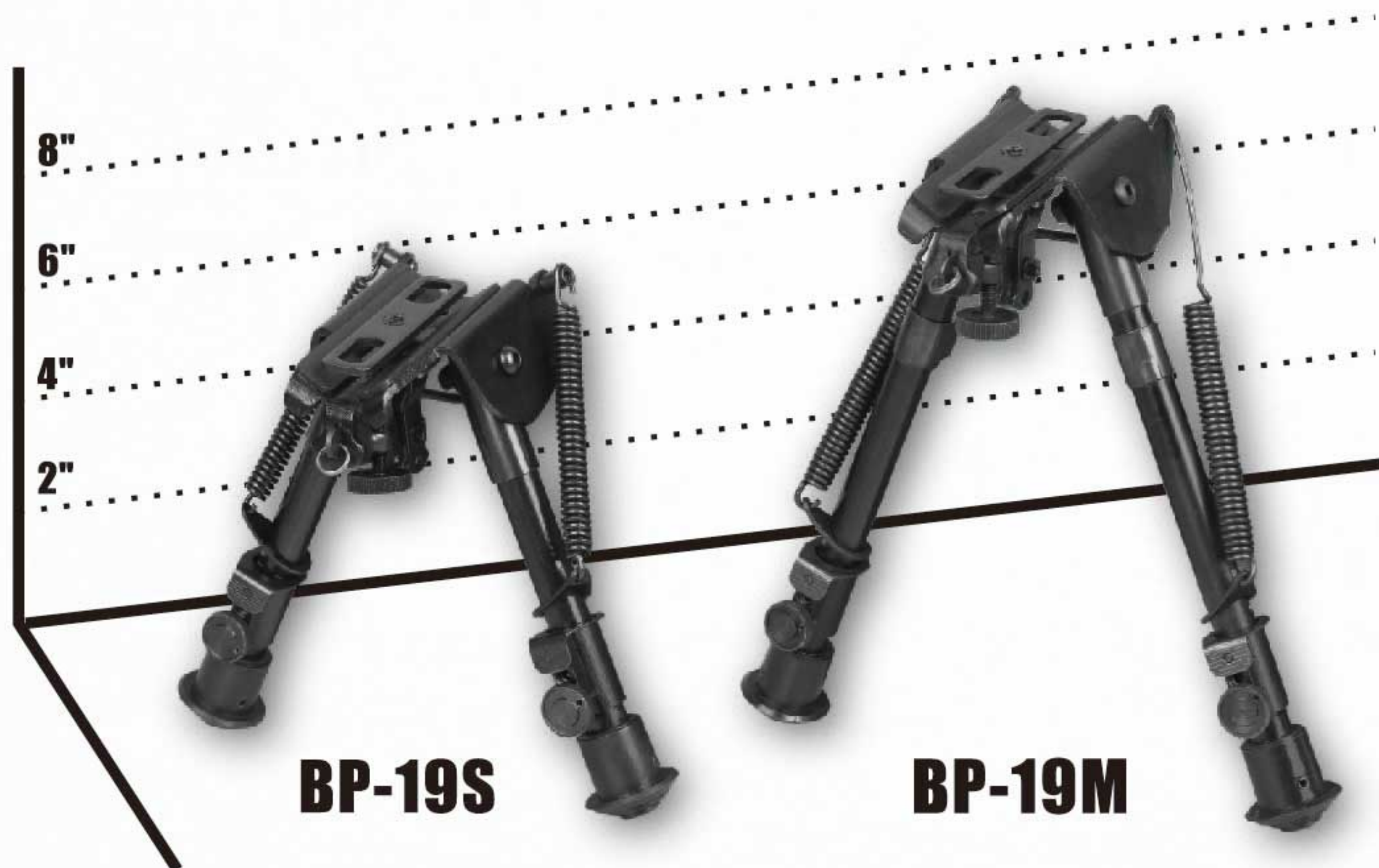
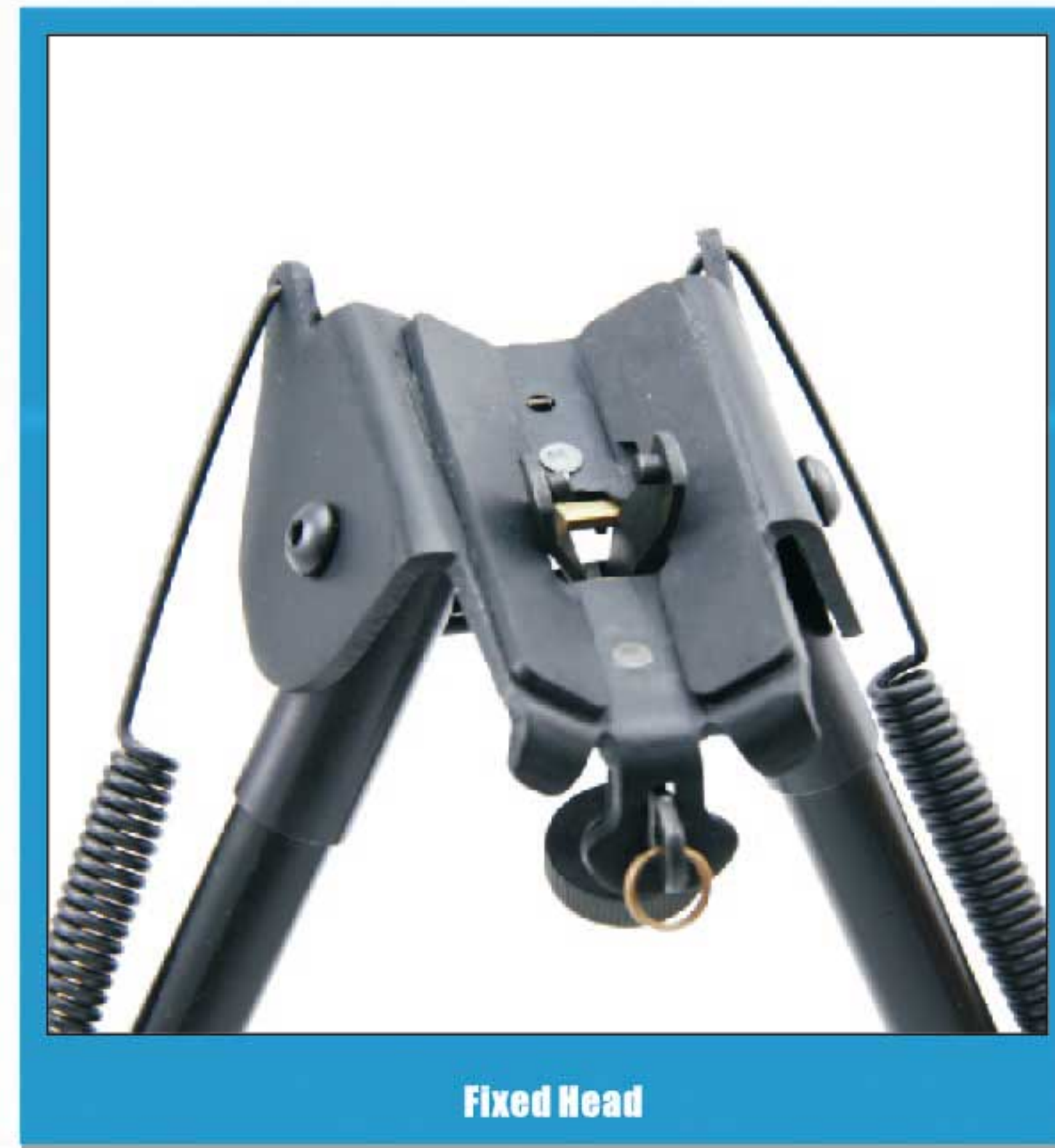


Tactical bipods

SERIES

- 1) Durable aluminum construction
- 2) Complete with three mounting systems-stud mount, weaver picatinny mount and barrel mount
- 3) Foldable arms with spring-return control
- 4) Extendable legs with individual adjustment function to fit any position

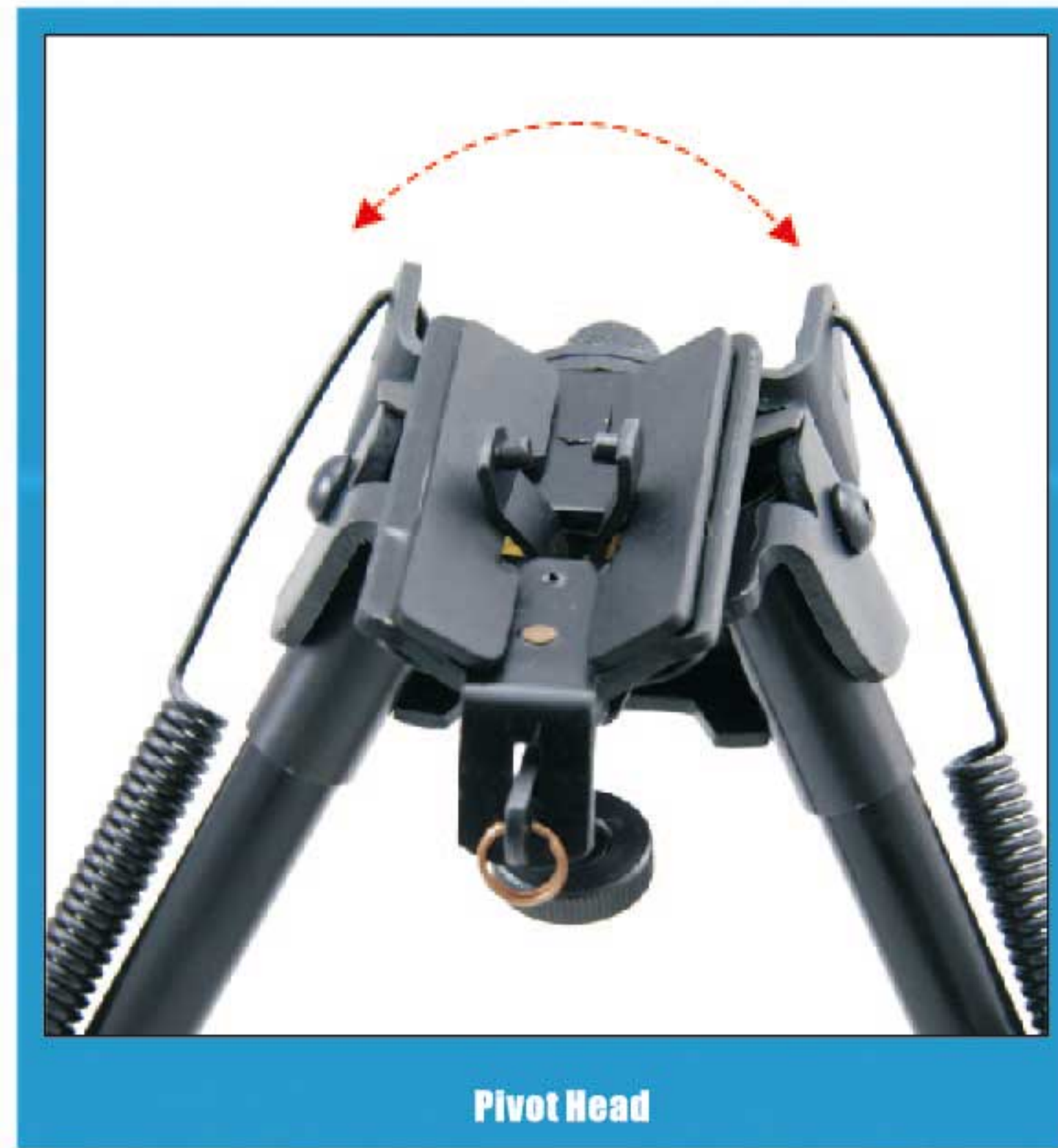


Model	Posi-lock	Swivel	Extendable Legs	Foldable Arms	Reversible Arms-Folding	Stand	Net Weight	Center Height (Min-Max)	Leg Length (Min-Max)
BP-19S	✓	X	✓	✓	✓	Rubber	452g	6"-9"	5.9"-9"
BP-19M	✓	X	✓	✓	✓	Rubber	486g	7.87"-11.42"	7.89"-12"

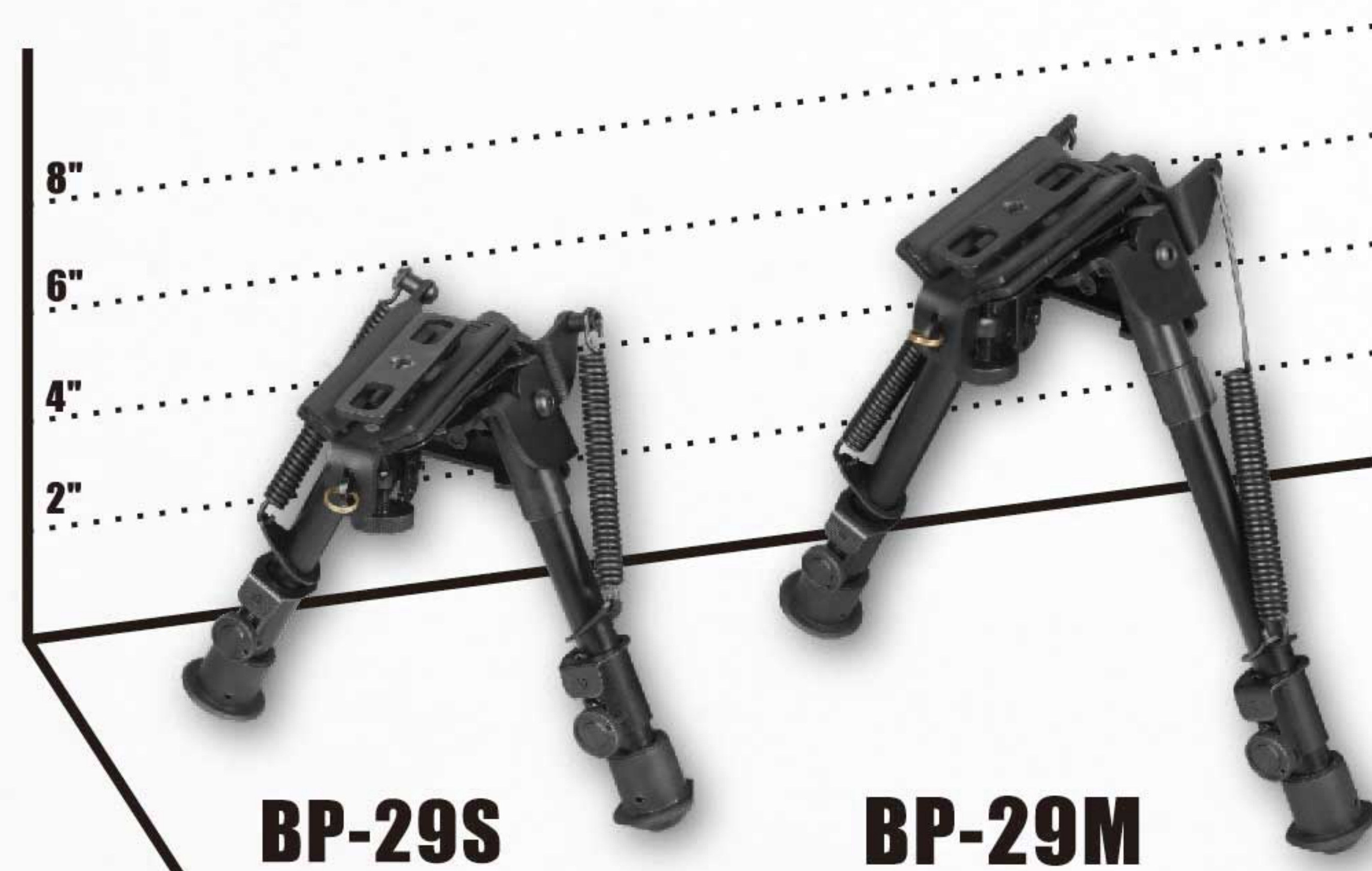
Tactical bipods

SERIES

- 1) Durable aluminum construction
- 2) Complete with three mounting systems-stud mount, weaver picatinny mount and barrel mount
- 3) Foldable arms with spring-return control
- 4) Extendable legs with individual adjustment function to fit any position



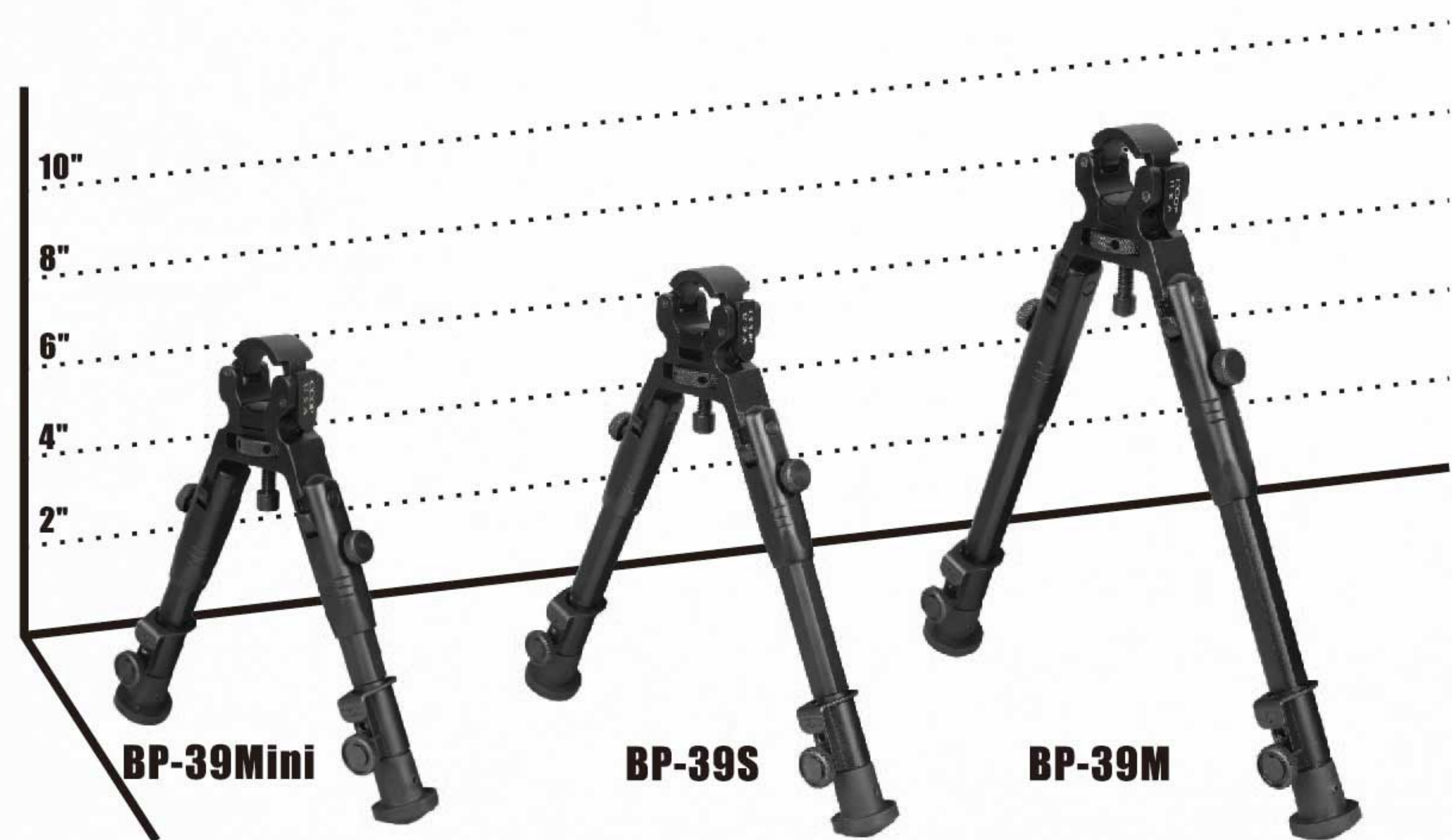
BP-29 Series



Model	Posi-lock	Swivel	Extendable Legs	Foldable Arms	Reversible Arms-Folding	Stand	Net Weight	Center Height (Min-Max)	Leg Length (Min-Max)
BP-29S	✓	✓	✓	✓	✓	Rubber	532g	6"-9"	5.9"-9"
BP-29M	✓	✓	✓	✓	✓	Rubber	574g	7.87"-11.42"	7.89"-12"

Barrel clamp bipods SERIES

- 1) Durable aluminum construction
- 2) Reinforced clamping adjustment wheel
- 3) Unique Posi-lock to prevent tipping
- 4) Adjustable legs and rubberized stand



Model	Posi-lock	Swivel	Extendable Legs	Foldable Arms	Reversible Arms-Folding	Stand	Net Weight	Center Height (Min-Max)	Leg Length (Min-Max)
BP-39Mini	✓	✓	✓	✓	✓	Rubber	261.05g	6.10"-6.69"	5.51"-6.10"
BP-39S	✓	✓	✓	✓	✓	Rubber	283.75g	6.69"-8.30"	6.90"-8.46"
BP-39M	✓	✓	✓	✓	✓	Rubber	328g	8.66"-10.43"	8.27"-10.43"

Tactical bipods

SERIES

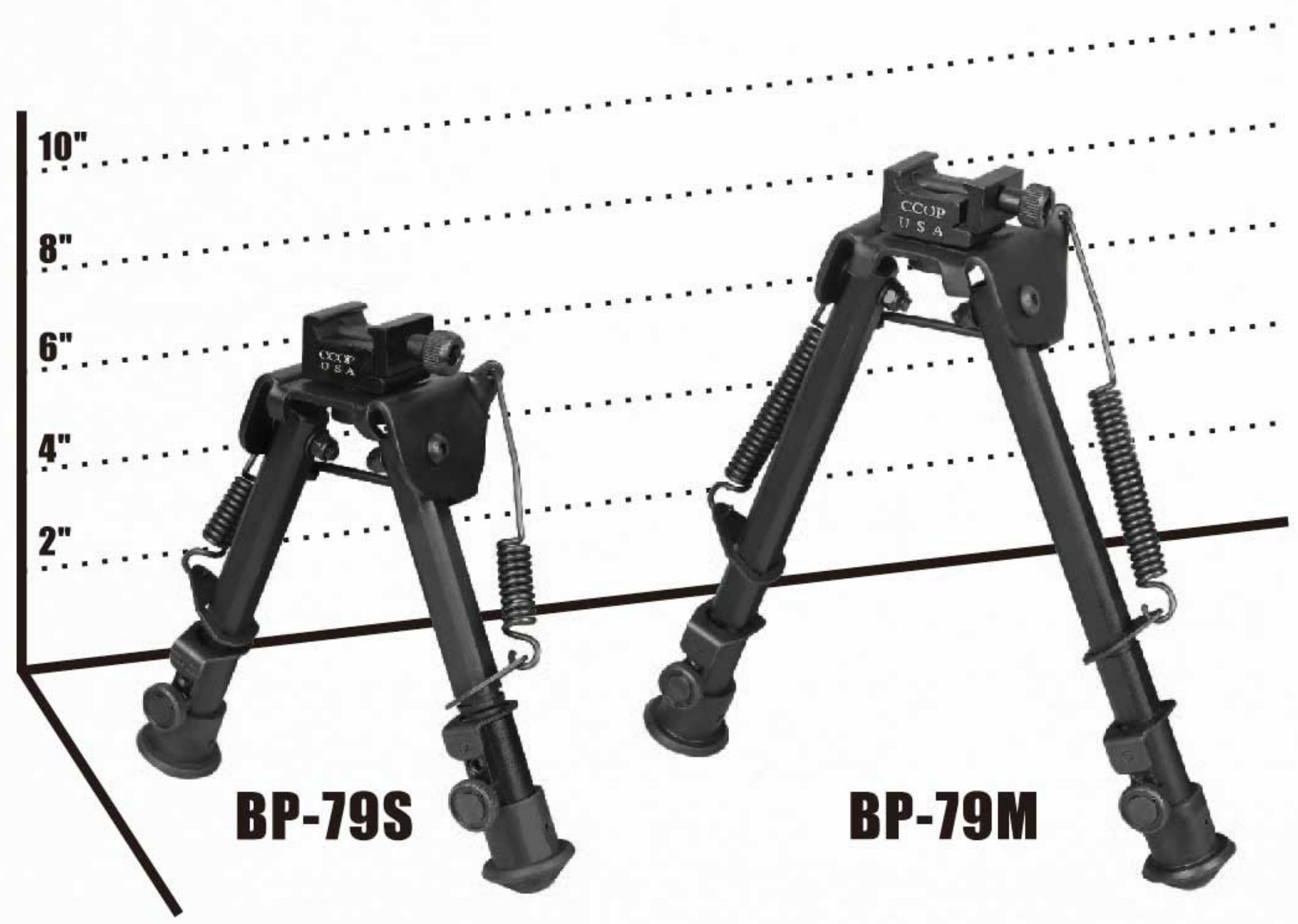
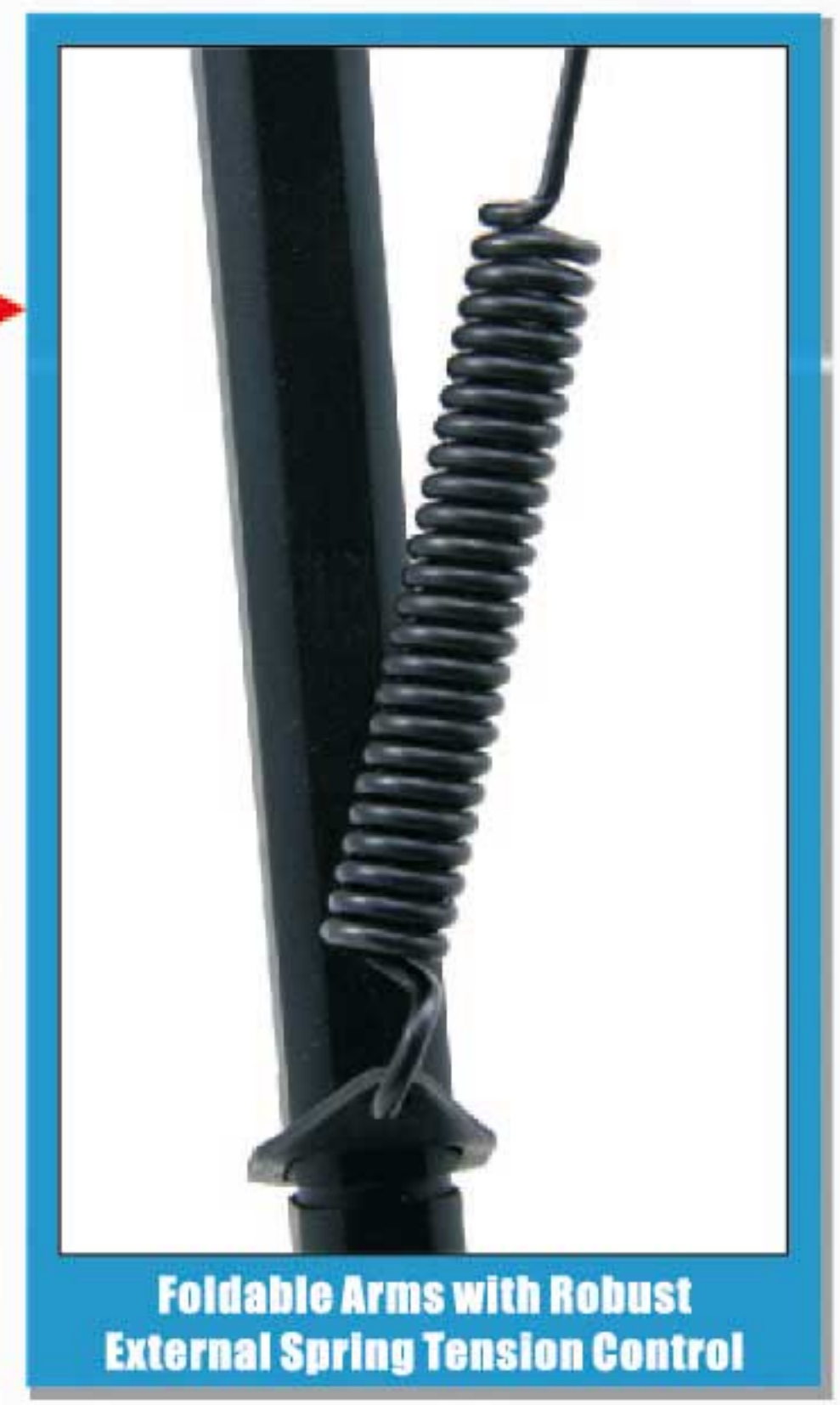
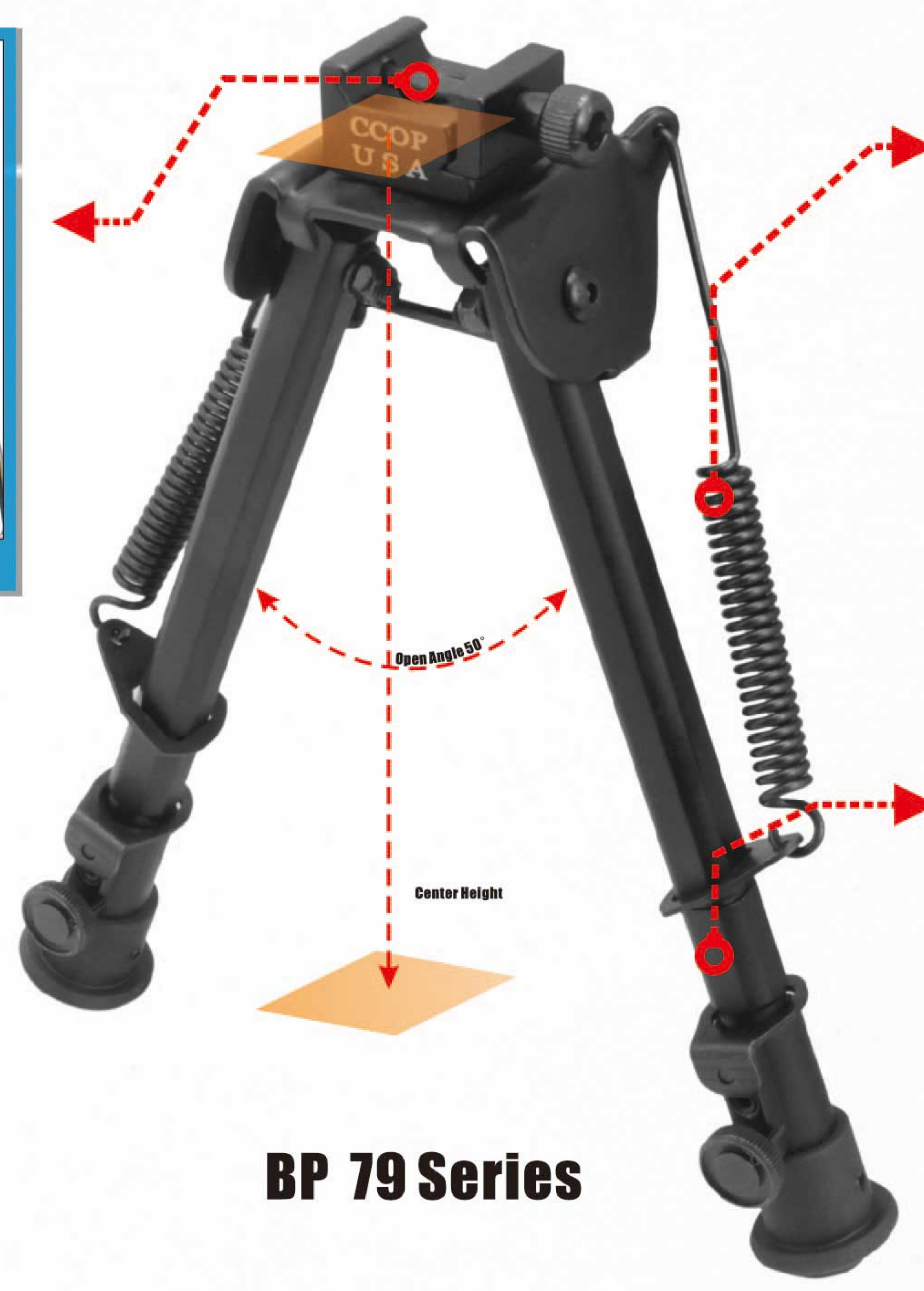
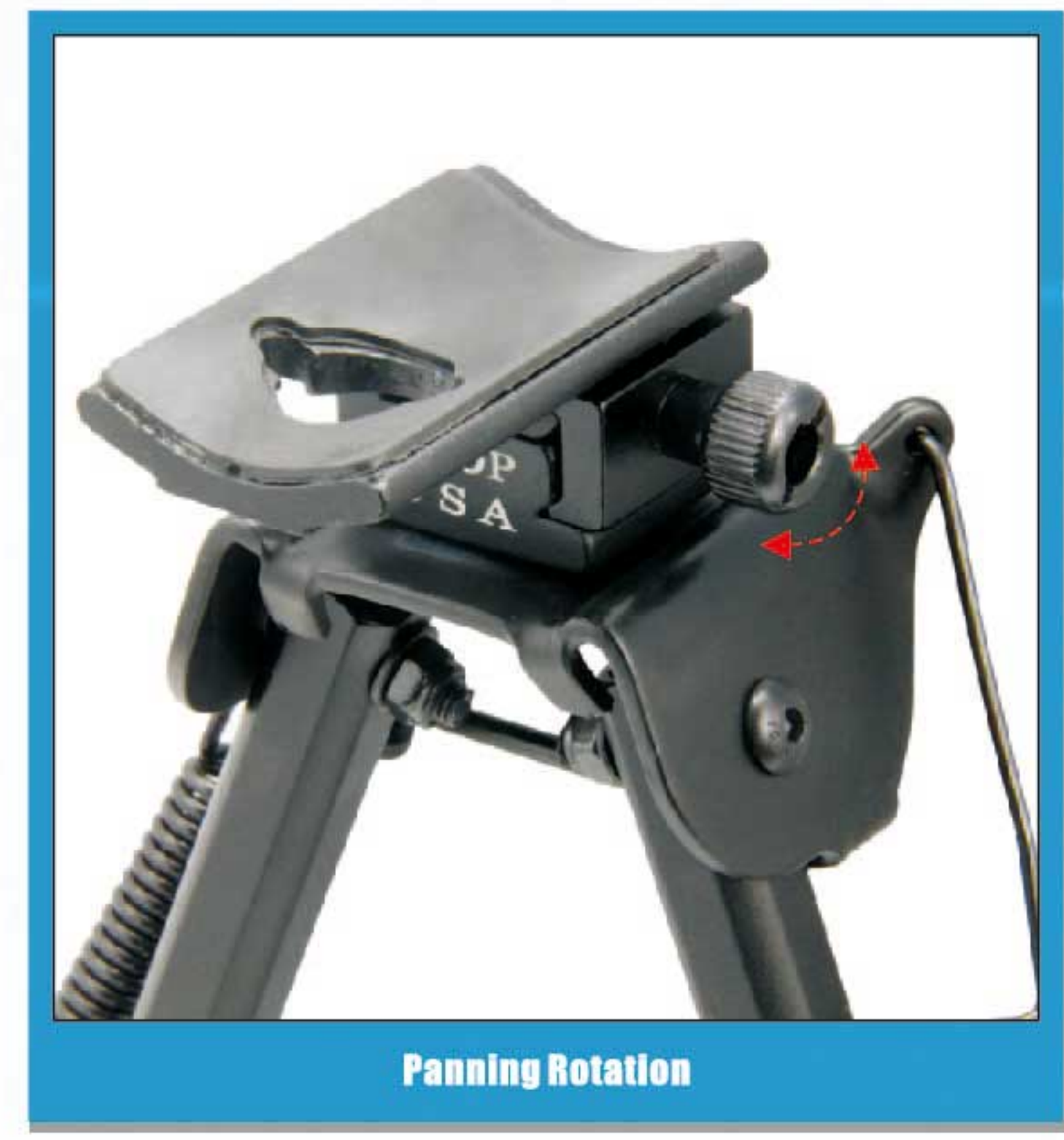
- 1) Durable aluminum construction
- 2) Picatinny Rail Mount
- 3) Unique Posi-lock to prevent tipping
- 4) Adjustable legs and rubberized stand



Model	Posi-lock	Swivel	Extendable Legs	Foldable Arms	Reversible Arms-Folding	Stand	Net Weight	Center Height (Min-Max)	Leg Length (Min-Max)
BP-59Mini	✓	✓	✓	✓	✓	Rubber	248 g	6.10"-6.69"	5.51"-6.10"
BP-59S	✓	✓	✓	✓	✓	Rubber	272.4g	7.10"-8.66"	6.69"-8.30"
BP-59M	✓	✓	✓	✓	✓	Rubber	370g	8.66"-10.55"	8.27"-10.43"

700 Tactical bipods SERIES

- 1) Durable aluminum construction
- 2) Picatinny Rail Mount
- 3) Foldable Arms with spring tension control
- 4) Extendable legs with Posi-lock wheel & quick retraction button

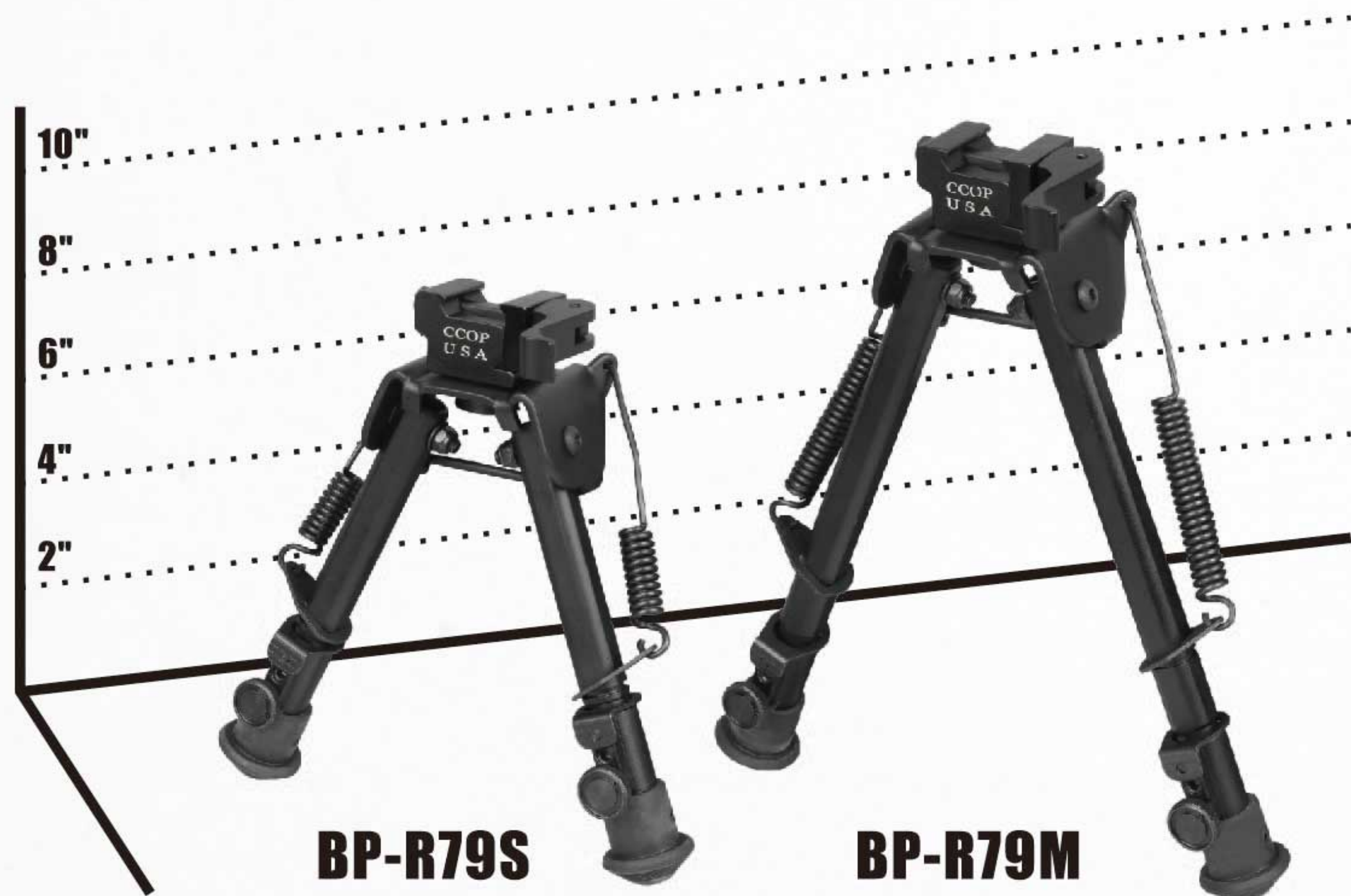


BP 79 Series

Model	Posi-lock	Swivel	Extendable Legs	Foldable Arms	Reversible Arms-Folding	Stand	Net Weight	Center Height (Min-Max)	Leg Length (Min-Max)
BP-79S	✓	✓	✓	✓	✓	Rubber	384g	6.30"-7.68"	5.71"-7.28"
BP-79M	✓	✓	✓	✓	✓	Rubber	455g	8.2"-12.80"	7.87"-12.60"

Tactical bipods

- 1) Durable aluminum construction
- 2) Picatinny Rail Mount
- 3) Quick Release Lever
- 4) Foldable Arms with spring tension control
- 5) Extendable legs with Posi-lock wheel & quick retraction button



BP-R79 Series

Model	Posi-lock	Swivel	Extendable Legs	Foldable Arms	Reversible Arms-Folding	Stand	Net Weight	Center Height (Min-Max)	Leg Length (Min-Max)
BP-R79S	✓	X	✓	✓	✓	Rubber	398g	6.3"-7.87"	6.7"-8.27"
BP-R79M	✓	X	✓	✓	✓	Rubber	462g	8.27"-13"	9"-13.78"

BP-R Series



BP-R5 (9.5")

BP-R6 (13")

9915002 (9")

9915001 (12")

Plastic Bipods

Model	BP-R5	BP-R6	9915002	9915001
Posi-lock	X	X	X	X
Swivel	X	X	X	X
Extendable Legs	✓	✓	X	X
Foldable Arms	X	X	X	X
Reversible Arms-Folding	✓	✓	X	X
Stand	Rubber	Rubber	Nylon	Nylon
Net Weight	150g	178g	114g	142g
Center Height(Min-Max)	6.30"-8.07"	8.66"-11.81"	6.5"	9"
Leg Length(Min-Max)	6.69"-8.86"	9.25"-12.50"	8"	11"

