



**C&C**

OUTDOOR PRODUCTS

**2024 CATALOG**

# INDEX

FFP Rifle Scope	-----	2
Tactical Rifle Scope 10x &12x	-----	4
Tactical Rifle Scope 8x	-----	5
Tactical Rifle Scope 6x	-----	6
Tactical Rifle Scope	-----	7
Prism Scope	-----	9
Rifle Scope Cover	-----	10
Laser Bore Sighter	-----	11
Dot Sight	-----	12
Mounting System Ring ---Steel	-----	17
Mounting System 34/35/36mm Ring	-----	18
Mounting System Ring	-----	19
Turn-in Steel Ring	-----	23
Integral Mounting System	-----	24
Mounting System Ring---Alum.	-----	26
Bubble Level Ring	-----	30
Integral Ring	-----	31
Rails and Mounts	-----	35
Rails and Bases	-----	38
Picatinny Black Rail	-----	46
Saddle Mount	-----	47
Bipods	-----	48
Mounts & Accessories	-----	65
Cleaning Kits and Brushes	-----	70

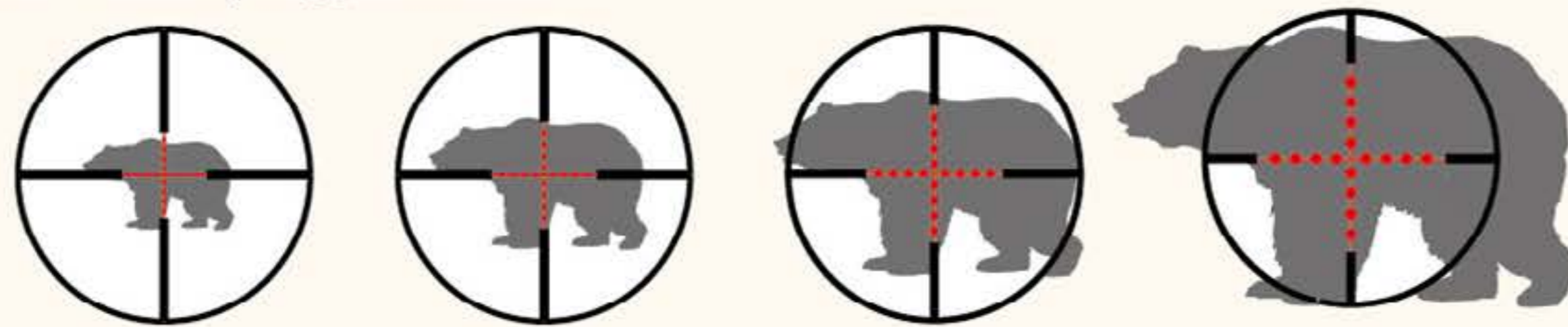


# First Focal Plane Rifle Scopes

Most scopes have the reticle fitted in the second focal plane (near the eyepiece).

While presently it has always been the practice to provide the reticle in the first focal plane (the reticle increases its size when changing the magnification from low to high). Each system has its advantages.

The advantage with telemetric reticles (like rangefinder & Mil-dot etc.) is that the target image and distance between dots remains constant even when changing magnification. It is the system that is widely used by the TOP military suppliers now.



## 3-15 x50

Model no	SCP-F31550si
Magnification	3X-15X
Tube diameter	30mm
Objective diameter	50mm
Reticle	Etched Glass Reticle
Field of view @100yard	34-6.8ft
Eye relief	99-88 mm
Exit pupil	16.6-3.33mm
Click value	1/4 MOA
Side focus	10yds-∞
Length	350 mm
IR	Red/Green
Elevation	90 MOA
Windage	70 MOA





Model no	SCP-F1826i	SCP-F31850si	SCP-F42050si	SCP-F53056si
Magnification	1X-8X	3X-18X	4x-20x	5X-30X
Tube diameter	35mm	30mm	30mm	34mm
Objective diameter	35mm	50mm	50mm	56mm
Reticle	Etched Glass Reticle	Etched Glass Reticle	Multi-x	Etched Glass Reticle
Field of view @100yard	104.6-13ft	111.86-18.86ft	28.28-5.64	23.53-3.8ft
Eye relief	110-91 mm	100mm	92.96-88.14mm	100-88mm
Exit pupil	16.6-3.2mm	16.2-2.7mm	12.5-2.5mm	11.2-1.86mm
Click value	1/10 MIL	1/10 MIL	1/10 MIL	1/10 MIL
Side focus	no	15yds-∞	10m - ∞	10m - ∞
Length	250 mm	350mm	395mm	372 mm
IR	Red/Green	Red	Red or Green	Red/Green
Elevation	120 MOA	50 MOA	86MOA	90 MOA
Windage	120 MOA	50 MOA	50MOA	70 MOA



**3-18x50**



**1-8x26**



**3-15x50**



**4-20x50**



**5-30x56**

**10<sub>x</sub>**



**1-10x26**

**12<sub>x</sub>**



**1-12x26**

Model no	SCP-11026i	SCP-11226i
Magnification	1X-10X	1X-12X
Tube diameter	34mm	34mm
Objective diameter	26mm	26mm
Reticle	CQB/4A dot/BDC	CQB/4A dot/BDC
Field of view @100yard	99-9.9ft	94-7.9ft
Eye relief	120-90 mm	120-89 mm
Exit pupil	8-2.6mm	8-2.16mm
Click value	1/10 MIL	1/10 MIL
Side focus	no	no
Length	270mm	270mm
IR	Red/Green	Red/Green
Elevation	100 MOA	100 MOA
Windage	100 MOA	100 MOA



# Tactical Rifle Scopes



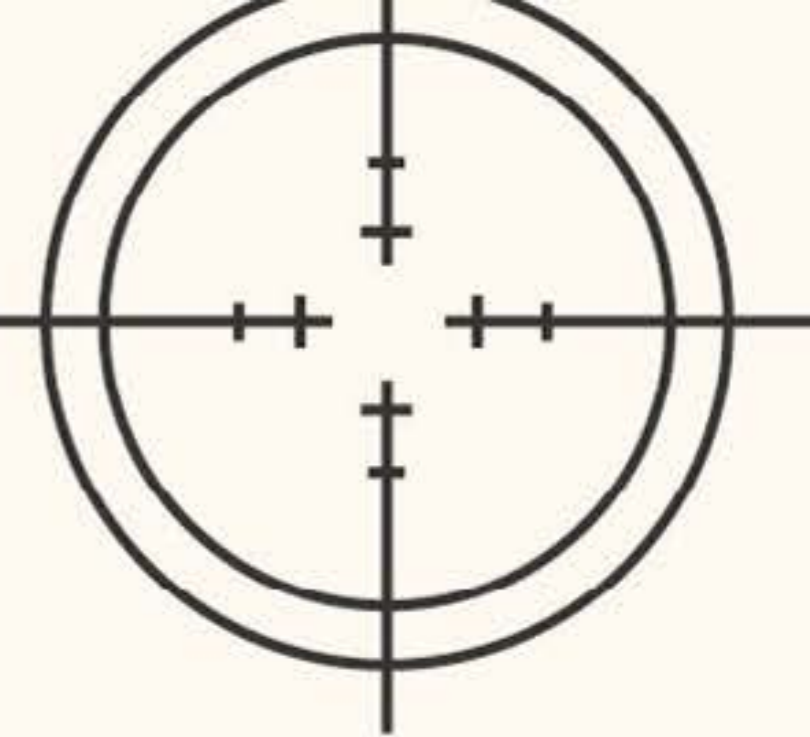
**1-12x26**

4 Tactical Rifle Scopes



Model no	SCP-1824i	SCP-21650i
Magnification	1x-8x	2X-16X
Tube diameter	30mm	30mm
Objective diameter	24mm	50mm
Reticle	CQB/4A dot/BDC	CQB/4A dot/BDC
Field of view @100yard	104.6-13.6ft	44.5-5.23ft
Eye relief	110-91mm	89mm
Exit pupil	16.6-3.2mm	8-3.12mm
Click value	1/10 MIL	1/10 MIL
Side focus	no	10yds-∞
Length	253mm	298mm
IR	Red/Green	Red
Elevation	100 MOA	80 MOA
Windage	100 MOA	80 MOA

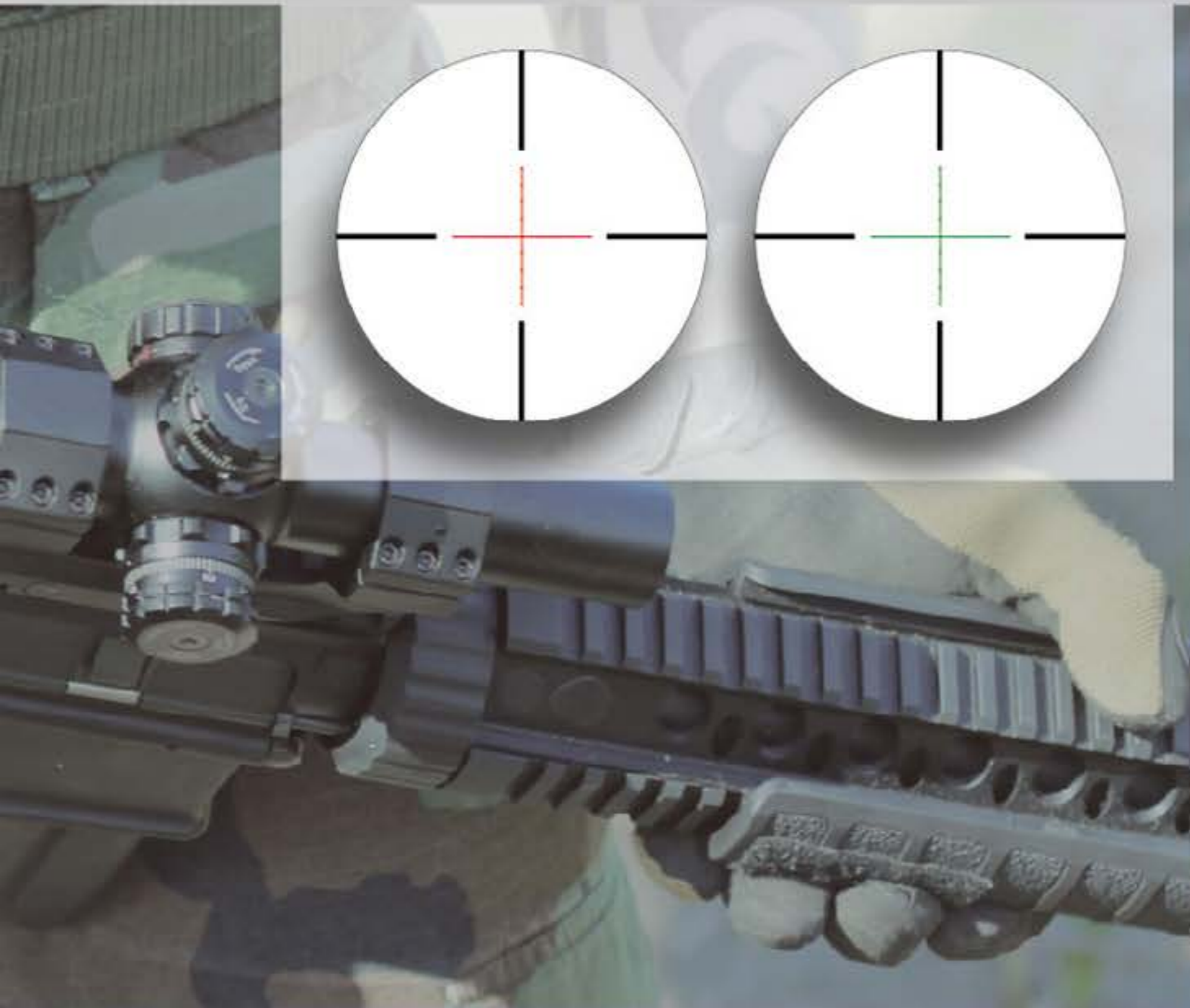
# Tactical Rifle Scopes



**1-8x24**



**2-16x50**



## Your choice Our Care

Our **CCOP** hunting scope is an ideal choice for short to medium range shooting. With the features of quick target acquisition and fast focus eyepiece, it fills the requirement of the law enforcement and hunters who need a quick-sighting system at ranges of 5 yards to infinite. A large eyepiece provides the shooter an increased vertical and horizontal, forward and backward movement behind the scopes . If you are tired of massive heavy scope yet still insist upon outstanding performance, take our **CCOP** hunting scope.

# Tactical Rifle Scopes



Model no	SCP-1624i	SCP-251550si	SCP-42450si	SCP-53056si	SCP-F31850si	SCP-F53056si
Magnification	1x-6x	2.5x-15x	4x-24x	5x-30x	3X-18X	5X-30X
Tube diameter	30mm	30mm	30mm	30mm	30mm	34mm
Objective diameter	24mm	50mm	50mm	56mm	50mm	56mm
Reticle	CQB/4A dot/BDC	CQB/4A dot/BDC	mil dot	mil dot	Etched Glass Reticle	Etched Glass Reticle
Field of view @100yard	99-16.6ft	40-6.8ft	29.5-4.94ft	23.4-3.9ft	111.86-18.86ft	23.53-3.8ft
Eye relief	110-88mm	115-88mm	106-88mm	100-88mm	100mm	100-88mm
Exit pupil	16-4mm	10-3.3mm	12.5-2.08mm	11.2-1.86mm	16.2-2.7mm	11.2-1.86mm
Click value	1/2 MOA	1/4 MOA	1/8 MOA	1/8 MOA	1/10 MIL	1/10 MIL
Side focus	no	10yds-∞	25yds-∞	50yds-∞	15yds-∞	10m-∞
Length	265mm	353mm	390mm	420mm	350mm	372 mm
IR	Red/Green	Red/Green	Red/Green	Red/Green	Red	Red/Green
Elevation	100 MOA	70 MOA	60 MOA	50 MOA	50 MOA	90 MOA
Windage	100 MOA	70 MOA	60 MOA	50 MOA	50 MOA	70 MOA



4A DOT



CQB



DBC



MIL DOT

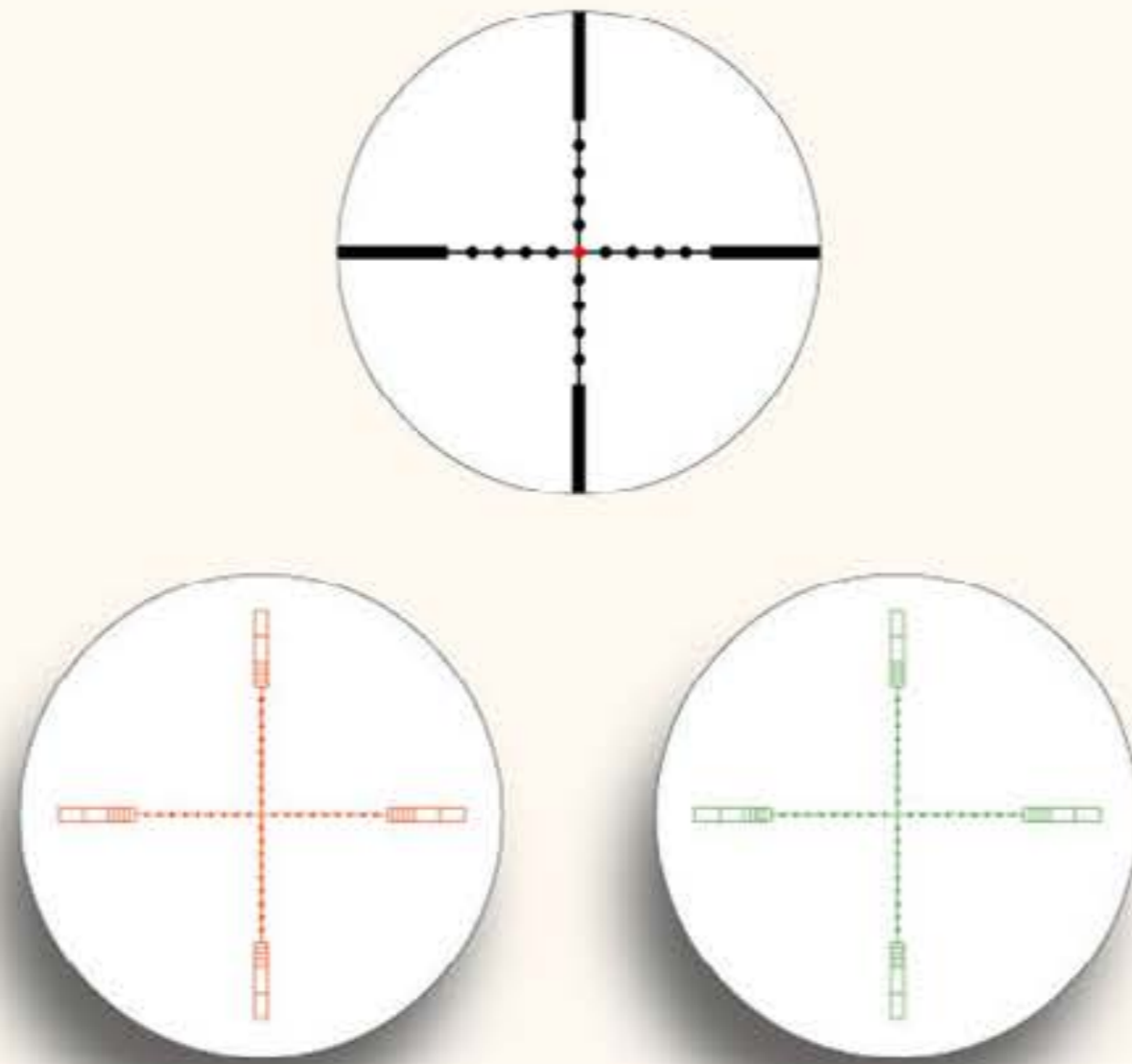
6 Tactical Rifle Scopes





A combination of high magnification and maximum elevation travel.

# Tactical Rifle Scopes



Model no	SCP-1424i	SCP-31244si	SCP-31256si	SCP-35256si	SCP-41656si	SCP-62450si	SCP-62456si	SCP-83256si
Magnification	1x-4x	3x-12x	3x-12x	3.5X-25X	4x-16x	6x-24x	6x-24x	8x-32x
Tube diameter	30mm	30mm	30mm	35mm	30mm	30mm	30mm	30mm
Objective diameter	24mm	44mm	56mm	56mm	56mm	50mm	56mm	56mm
Reticle	CQB/4A dot/BDC	mil dot	mil dot	mil dot	mil dot	mil dot	mil dot	mil dot
Field of view @100yard	100.5-22.5ft	9.2-36.5ft	26.7-6.8ft	31.4-4.3ft	6.9-27.4ft	4.6-18.3ft	17.5-4.3ft	3.5-13.5ft
Eye relief	120-90 mm	101.6-89 mm	89-76.2 mm	90mm	101.6-89 mm	101.6-89 mm	89-76.2 mm	101.6-89 mm
Exit pupil	12.8-6.4mm	3.7-14.7mm	12.4-4.3mm	8-2.24mm	3.5-14mm	2.1-8.3mm	8.5-2.3mm	1.8-7.0mm
Click value	1/2 MOA	1/8 MOA	1/4 MOA	1/10 MIL	1/8 MOA	1/8 MOA	1/4 MOA	1/8 MOA
Side focus	no	25yds-∞	25yds-∞	20yds-∞	25yds-∞	yes	15yds-∞	15yds-∞
Length	290mm	357mm	346mm	350mm	380mm	420mm	420mm	425mm
IR	Red/Green	Red/Green	Red/Green	Red/Green	Red/Green	Red/Green	Red/Green	Red/Green
Elevation	100 MOA	100 MOA	100 MOA	80 MOA	100 MOA	25 MOA	25 MOA	25 MOA
Windage	100 MOA	100 MOA	100 MOA	50 MOA	100 MOA	25 MOA	25 MOA	25 MOA



# Tactical Rifle Scopes



**6-25x56**

Model no	SCP-15642i	SCP-251032i	SCP-31556si	SCP-42056si	SCP-62556si	SCP-852550si
Magnification	1.5X-6X	2.5X-10X	3x-15x	4x-20x	6x-25x	8.5X-25X
Tube diameter	30mm	30mm	30mm	30mm	35mm	30mm
Objective diameter	42mm	32mm	56mm	56mm	56mm	50mm
Reticle	CQB/4A dot/BDC	CQB/4A dot/BDC	Multi-x	Glass Etched Reticle	mil dot	mil dot
Field of view @100yard	65.8-16.5ft	43.96-11.0ft	38.2-7.6	28.28-5.64	17.5-4.3ft	14.67-4.99ft
Eye relief	110.1-90.5 mm	105-98 mm	99-88mm	93-88mm	101.6-89 mm	98.6-88 mm
Exit pupil	17.9-7.0mm	12.8-3.2mm	12.7-2.5mm	14-2.8mm	9.3-2.5mm	5.8-2.0 mm
Click value	1/4 MOA	1/4 MOA	1/4 MOA	1/8MOA	1/4 MOA	1/8 MOA
Side focus	no	no	10yds-∞	10yds-∞	10yds-∞	10yds-∞
Length	280mm	300mm	370mm	395mm	424mm	410mm
IR	Red/Green	Red/Green	Red or Green	Red or Green	Red/Green	Red/Green
Elevation	100 MOA	100 MOA	84MOA	75MOA	100 MOA	50 MOA
Windage	100 MOA	100 MOA	84MOA	74MOA	100 MOA	50 MOA

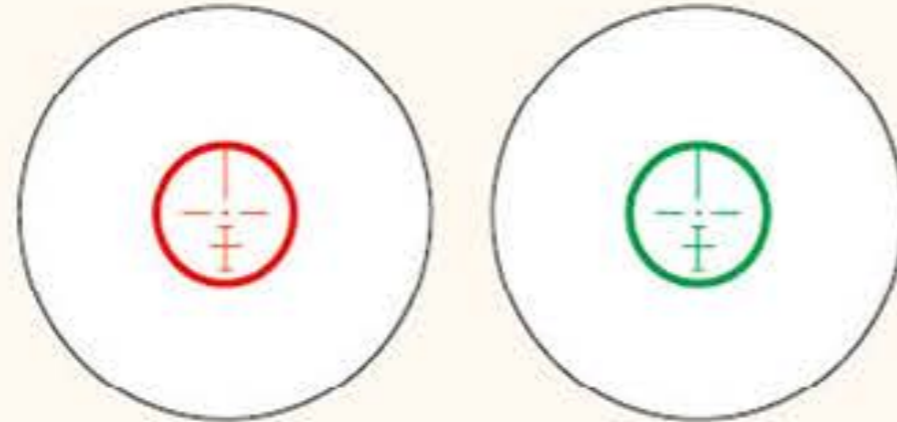
**8 Tactical Rifle Scopes**



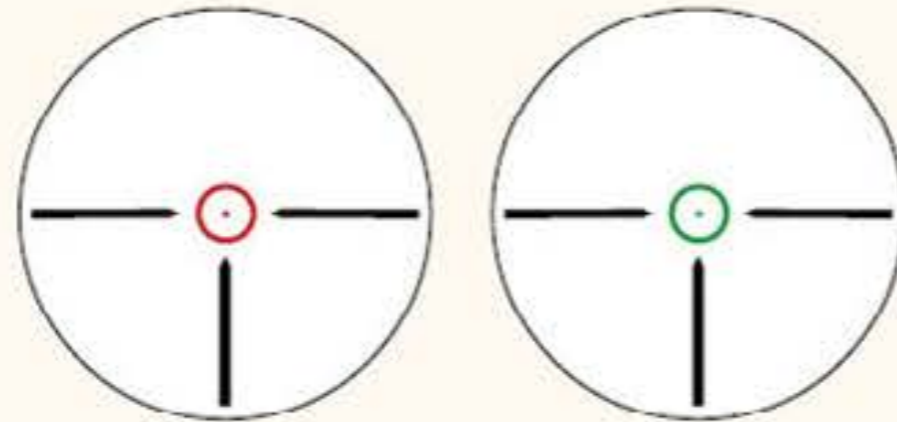
# Prism Scope



4 x 32mm



2.5 x 32mm



Model no	SCP-P2532i	SCP-P3032i	SCP-P4032i
Magnification	2.5x32	3x32	4x32
Reticle	CQB	CQB	CQB
F ocus range	100yards	100yards	100yards
F ield of view @100yard	37.5ft	31.4ft	23.6ft
F ov Degree (°)	7.2°	6°	4.5°
F ov m/100m	12.2	10.5	7.87
E ye relief	80	80	80
E xit pupil	12.4	10	8
Click value	1/2 MOA	1/2 MOA	1/2 MOA
L ength	119mm	137.5mm	137.5mm
I R	Red/Green	Red/Green	Red/Green
Elevation	30 MOA	30 MOA	30 MOA
Windage	30 MOA	30 MOA	30 MOA



# Rifle Scope Cover



**RSSS-01**



**RSSS-02**



**RSSS-03**



**RSSS-04**



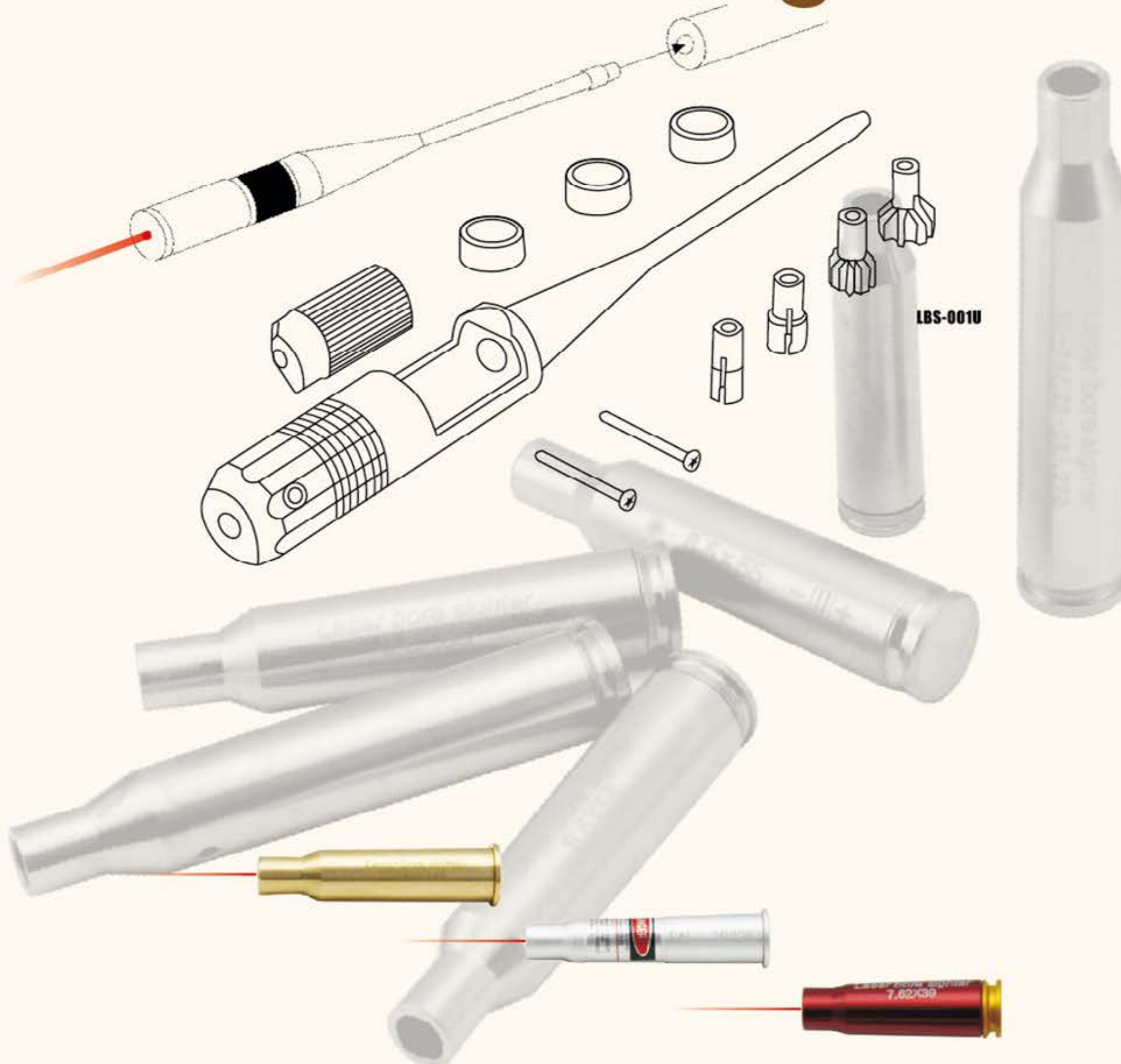
**RSSS-05**

## Specifications:

Item	Jacket Length Front Diameter	Scope Length	Scope Objective
RSSS-01	10" x 3.5mm	10.5"-11.5"	Up to 33mm
RSSS-02	10.25" x 4.5mm	10.5"-12"	Up to 43mm
RSSS-03	11.5" x 5.0mm	12"-14"	Up to 50mm
RSSS-04	13.5" x 5.2mm	13"-15.5"	Up to 56mm
RSSS-05	14.5" x 5.6mm	14"-16.5"	Up to 60mm



# Laser Bore Sighter



Item NO	Size	NW	Material	Specifications
LBS-45	1.14"x0.47"x0.47"	12g	Bronze	Laser bore sighter CAL:45ACP
LBS-30	1.30"x0.35"x0.35"	6g	Bronze	Laser bore sighter CAL:30
LBS-222	1.57"x0.39"x0.39"	8g	Bronze	Laser bore sighter CAL:222REM
LBS-76239	1.54"x0.47"x0.47"	16g	Bronze	Laser bore sighter CAL:7.62x39
LBS-223	1.77"x0.39"x0.39"	8g	Bronze	Laser bore sighter CAL:223
LBS-308	1.81"x0.47"x0.47"	24g	Bronze	Laser bore sighter CAL:308
LBS-3030	2.04"x0.51"x0.51"	16g	Bronze	Laser bore sighter CAL:30-30WIN
LBS-76254	2.13"x0.55"x0.55"	28g	Bronze	Laser bore sighter CAL:7.62x54R
LBS-6555	2.24"x0.47"x0.47"	26g	Bronze	Laser bore sighter CAL:6.5x55
LBS-757	2.13"x0.55"x0.55"	28g	Bronze	Laser bore sighter CAL:7x57R
LBS-8	2.21"x0.47"x0.47"	28g	Bronze	Laser bore sighter CAL:8mm
LBS-7	2.20"x0.51"x0.51"	36g	Bronze	Laser bore sighter CAL:7mm
LBS-3006	2.48"x0.51"x0.51"	24g	Bronze	Laser bore sighter CAL:30-06/0.25-06/.270WIN
LBS-300	2.64"x0.55"x0.55"	40g	Bronze	Laser bore sighter CAL:300WIN
LBS-303	2.20"x0.59"x0.59"	8g	Aluminium	Laser bore sighter CAL:303BRI
LBS-857	2.24"x0.51"x0.51"	12g	Aluminium	Laser bore sighter CAL:8x57JS
LBS-857R	2.24"x0.51"x0.51"	10g	Aluminium	Laser bore sighter CAL:8x57JRS
LBS-9362	2.48"x0.47"x0.47"	12g	Aluminium	Laser bore sighter CAL:9.3x62
LBS-50	3.94"x0.83"x0.83"	44g	Aluminium	Laser bore sighter CAL:50BMG
LBS-762	1.54"x0.47"x0.47"	16g	Aluminium	Laser bore sighter CAL:7.62X39
LBS-12	2.40"x0.87"x0.87"	46g	Aluminium	Laser bore sighter CAL:12GA
LBS-9	0.95"x0.35x0.35	7g	Aluminium	Laser bore sighter CAL:9mm

# DOT SIGHT

Model	RD-21001
Magnification	1X
Reflex Lens Coating:	Red Film
Clear Aperture:	19.50mm
Light Light Transmission:	70%
Dot Size:	2 moa-5 moa
Click Value:	1 moa
W/E Adjustment Range:	≥ 45 moa ( Up, down, right & left )
Parallax:	≤ 2 moa
Free Parallax Setting:	50 or 100 Yards
Brightness Setting:	10 settings; Push & hold 3 second to shot down; Power off memory
Battery Model:	CR2032
Battery Life:	≥ 5000 hours @ middle setting
Operation Temperature Range:	-20~+60
Water Proof:	Yes
Shock Proof:	Yes
Fogging Proof:	Yes



RD-21001



RD-20000

Model	RD-20000
Magnification	1x
Reflex Lens Coating:	Red Film
Clear Aperture:	20mm
Light Transmission:	≥70%
Dot Size:	2moa
Click Value:	1moa
W/E Adjustment Range:	>120moa
Parallax:	≤2moa
Parallax Free Setting:	50 or 100yard
Brightness Setting:	6 settings
Battery Model:	AAA Battery ( Not included )
Extra Solar Panel:	Yes
Mounting System:	Picatinny/Weaver
Water Proof:	Yes
Fogging Proof:	Yes
Shock Proof:	Yes

Model	RD-21002
Magnification	1x
Reflex Lens Coating:	Red Film
Clear Aperture:	21mm
Light Transmission:	≥70%
Dot Size:	2moa
Click Value:	1moa
W/E Adjustment Range:	>120moa
Parallax:	≤2moa
Parallax Free Setting:	50 or 100yard
Brightness Setting:	Red & Green(5 settings each)
Battery Model:	CR2032
Extra Solar Panel:	No
Mounting System:	Picatinny/Weaver
Water Proof:	Yes
Fogging Proof:	Yes
Shock Proof:	Yes



Model	RD-21003
Magnification	1x
Reflex Lens Coating:	Red Film
Clear Aperture:	21mm
Light Transmission:	≥70%
Dot Size:	2moa
Click Value:	1moa
W/E Adjustment Range:	>120moa
Parallax:	≤2moa
Parallax Free Setting:	50 or 100yard
Brightness Setting:	12 settings
Battery Model:	CR2032
Extra Solar Panel:	No
Mounting System:	Picatinny/Weaver
Water Proof:	Yes
Fogging Proof:	Yes
Shock Proof:	Yes

Model	RD-21004
Magnification	1x
Reflex Lens Coating:	Red Film
Clear Aperture:	21mm
Light Transmission:	≥70%
Dot Size:	2moa
Click Value:	1moa
W/E Adjustment Range:	>120moa
Parallax:	≤2moa
Parallax Free Setting:	50 or 100yard
Brightness Setting:	12 settings
Battery Model:	CR2032
Extra Solar Panel:	No
Mounting System:	Picatinny/Weaver
Water Proof:	Yes
Fogging Proof:	Yes
Shock Proof:	Yes



Model	RD-25001
Magnification	1X
Reflex Lens Coating:	Red Film
Clear Aperture:	23.50mm
Light Light Transmission:	70%
Dot Size:	2 moa-5 moa
Click Value:	1 moa
W/E Adjustment Range:	≥ 45 moa ( Up, down, right & left )
Parallax:	≤ 2 moa
Free Parallax Setting:	50 or 100 Yards
Brightness Setting:	10 settings; Push & hold 3 second to shot down; Power off memory
Battery Model:	CR2032
Battery Life:	≥ 5000 hours @ middle setting
Operation Temperature Range:	-20~+60
Water Proof:	Yes
Shock Proof:	Yes
Fogging Proof:	Yes



RD-25001



RD-29001



Model	RD-29001
Magnification	1X
Reflex Lens Coating:	Red Film
Clear Aperture:	27.00mm
Light Light Transmission:	70%
Dot Size:	2 moa-5 moa
Click Value:	0.5 moa
W/E Adjustment Range:	≥ 45 moa ( Up, down, right & left )
Parallax:	≤ 2 moa
Free Parallax Setting:	50 or 100 Yards
Brightness Setting:	10 settings; Push & hold 3 second to shot down; Power off memory
Battery Model:	CR2032
Battery Life:	≥ 2000 hours @ middle setting
Operation Temperature Range:	-20~+60
Water Proof:	Yes
Shock Proof:	Yes
Fogging Proof:	Yes

Model	RX-1002
Magnification	1X
Reflex Lens Coating:	Red Film
Window Size:	24 x 17mm
Light Light Transmission:	70%
Dot Size:	3 moa
Click Value:	x
W/E Adjustment Range:	≥ 45 moa ( Up, down, right & left )
Parallax:	≤ 2 moa
Free Parallax Setting:	50 or 100 Yards
Brightness Setting:	10 settings; Push & hold 3 second to shot down; Power off memory
Battery Model:	CR2032
Battery Life:	≥ 2000hours @ middle setting
Operation Temperature Range:	-20~+60
Water Proof:	Yes
Shock Proof:	Yes
Fogging Proof:	Yes



**RX-1002**



**RX-1001**

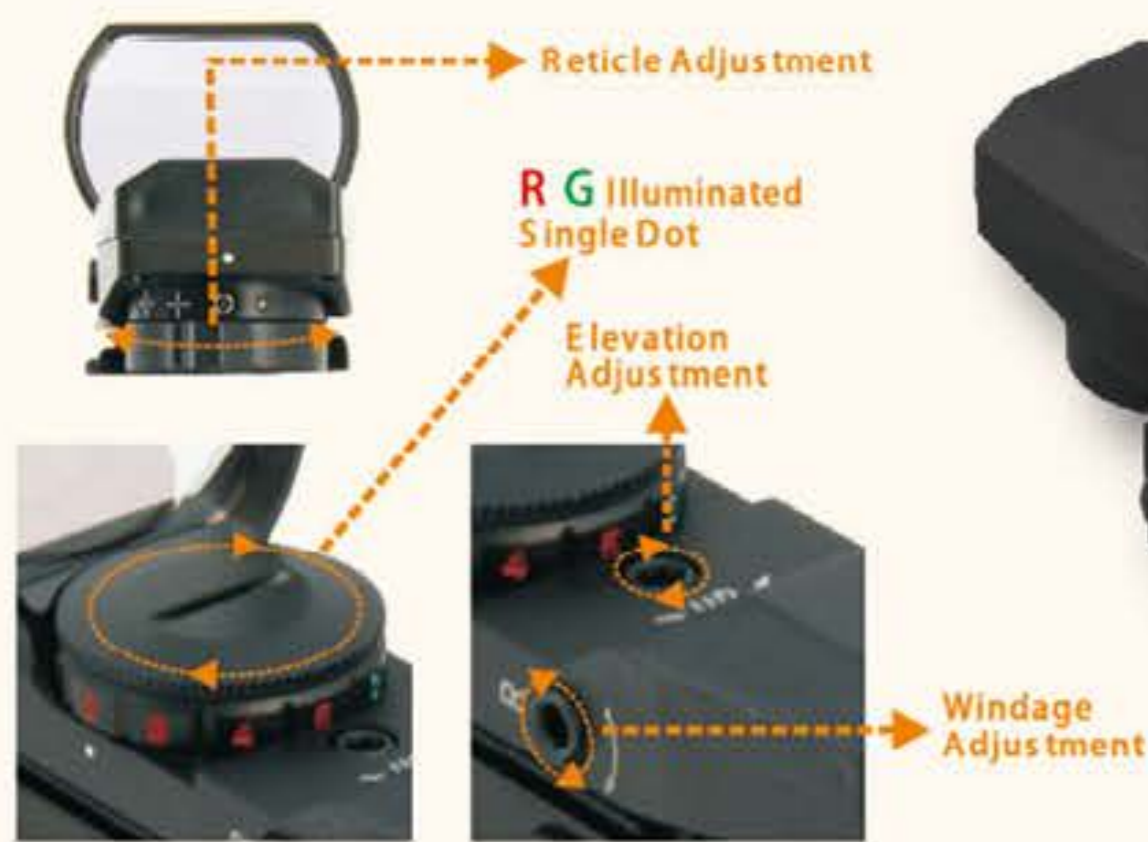
Model	RX-1001
Magnification	1X
Reflex Lens Coating:	Red Film
Window Size:	24 x 17mm
Light Light Transmission:	70%
Dot Size:	3 moa-5 moa
Click Value:	x
W/E Adjustment Range:	≥ 45 moa ( Up, down, right & left )
Parallax:	≤ 2 moa
Free Parallax Setting:	50 or 100 Yards
Brightness Setting:	10 settings; Push & hold 3 second to shot down; Power off memory
Battery Model:	CR2032
Battery Life:	≥ 2000hours @ middle setting
Operation Temperature Range:	-20~+60
Water Proof:	Yes
Shock Proof:	Yes
Fogging Proof:	Yes

Model	RX-1003
Magnification	1X
Reflex Lens Coating:	Red Film
Window Size:	20 x 16.50mm
Light Light Transmission:	85%
Dot Size:	2 moa
Click Value:	x
W/E Adjustment Range:	≥ 45 moa ( Up, down, right & left )
Parallax:	≤ 1.5 moa
Free Parallax Setting:	50 or 100 Yards
Brightness Setting:	4 settings; Push & hold 3 second to shot down; Power off memory
Battery Model:	CR2032
Battery Life:	High-light:50 hours,Low-light:500 hours
Operation Temperature Range:	-20~+60
Water Proof:	Yes
Shock Proof:	Yes
Fogging Proof:	Yes



**RX-1003**





RD-0004



RL-0001R

Model	RD-0004	RL-0001R
Magnification	1x	1x
Objective Lens Dia.	35x24mm	33mm
Net Weight	117g	198g
Length	83mm	85mm
Eye Relief	unlimited	unlimited
Material	Aluminum	Aluminum
Battery	CR2032	CR2032



# QD Steel Ring Picatinny/Weaver

# 1" / 30mm

Model	Material	Diameter	Height	Width	Saddle Height	Screws Per Ring	Finish
SR-Q1018WL	Steel	1"	Low	18.00mm	17.10mm	4	Matte
SR-Q1018WM	Steel	1"	Medium	18.00mm	21.30mm	4	Matte
SR-Q1018WH	Steel	1"	High	18.00mm	27.10mm	4	Matte
SR-Q3018WL	Steel	30mm	Low	18.00mm	19.50mm	4	Matte
SR-Q3018WM	Steel	30mm	Medium	18.00mm	21.70mm	4	Matte
SR-Q3018WH	Steel	30mm	High	18.00mm	27.50mm	4	Matte
SR-Q3018WEXH	Steel	30mm	Extra High	18.00mm	30.00mm	4	Matte



**HOT**

Model	Material	Diameter	Height	Width	Saddle Height	Screws Per Ring	Finish
SR-Q1002WL	Steel	1"	Low	15.88mm	17.12mm	4	Matte
SR-Q1002WM	Steel	1"	Medium	15.88mm	21.30mm	4	Matte
SR-Q1002WH	Steel	1"	High	15.88mm	27.10mm	4	Matte
SR-Q3002WL	Steel	30mm	Low	15.88mm	19.50mm	4	Matte
SR-Q3002WM	Steel	30mm	Medium	15.88mm	21.70mm	4	Matte
SR-Q3002WH	Steel	30mm	High	15.88mm	27.50mm	4	Matte
SR-Q3002WEXH	Steel	30mm	Extra High	15.88mm	30.00mm	4	Matte



- 1. Durable Steel Construction
- 2. Torx Screws Installation
- 3. Non-slip bump
- 4. Square recoil lug
- 5. Lever for quick attach & detach



# 34/35/36mm

## Picatinny / Weaver **Steel Ring**

- ◆ Most durable and solid steel construction assure the exceptional strength.
- ◆ Well applied for all standard picatinny/weaver rails.
- ◆ Perfect fit for riflescopes in 34mm, 35mm & 36mm tubes.
- ◆ 4-screws rings provides more clamping force and perfect for heavy recoil rifles.
- ◆ Matte black surface treatment.

Model	Material	Diameter	Height	Width	Saddle Height	Screws Per Ring	Finish
SR-Q3404WL	Steel	34mm	Low	15.88mm	29.30mm	4	Matte
SR-Q3404WM	Steel	34mm	Medium	15.88mm	33.50mm	4	Matte
SR-Q3404WH	Steel	34mm	High	15.88mm	40.00mm	4	Matte
SR-Q3504WL	Steel	35mm	Low	15.88mm	29.30mm	4	Matte
SR-Q3504WM	Steel	35mm	Medium	15.88mm	33.50mm	4	Matte
SR-Q3504WH	Steel	35mm	High	15.88mm	40.00mm	4	Matte
SR-Q3604WL	Steel	36mm	Low	15.88mm	29.30mm	4	Matte
SR-Q3604WM	Steel	36mm	Medium	15.88mm	33.50mm	4	Matte
SR-Q3604WH	Steel	36mm	High	15.88mm	40.00mm	4	Matte

Model	Material	Diameter	Height	Width	Saddle Height	Screws Per Ring	Finish
SR-Q3402WL	Steel	34mm	Low	15.88mm	29.30mm	4	Matte
SR-Q3402WM	Steel	34mm	Medium	15.88mm	33.50mm	4	Matte
SR-Q3402WH	Steel	34mm	High	15.88mm	40.00mm	4	Matte
SR-Q3502WL	Steel	35mm	Low	15.88mm	29.30mm	4	Matte
SR-Q3502WM	Steel	35mm	Medium	15.88mm	33.50mm	4	Matte
SR-Q3502WH	Steel	35mm	High	15.88mm	40.00mm	4	Matte
SR-Q3602WL	Steel	36mm	Low	15.88mm	29.30mm	4	Matte
SR-Q3602WM	Steel	36mm	Medium	15.88mm	33.50mm	4	Matte
SR-Q3602WH	Steel	36mm	High	15.88mm	40.00mm	4	Matte



# 1" / 30mm

## Picatinny/Weaver Steel Ring

- ◆ Durable solid steel assures exceptional strength
- ◆ Well applied for all standard picatinny/weaver rails
- ◆ Different height available from Low ,Medium and High profile
- ◆ Matte black surface treatment
- ◆ Standard two and four screws version, tough, utterly precise, perfect match for riflescopes

Model	Material	Diameter	Height	Width	Saddle Height	Screws Per Ring	Finish
SR-Q1003WL	Steel	1"	Low	15.88mm	17.10mm	4	Matte
SR-Q1003WM	Steel	1"	Medium	15.88mm	21.30mm	4	Matte
SR-Q1003WH	Steel	1"	High	15.88mm	27.10mm	4	Matte
SR-Q3003WL	Steel	30mm	Low	15.88mm	19.50mm	4	Matte
SR-Q3003WM	Steel	30mm	Medium	15.88mm	21.70mm	4	Matte
SR-Q3003WH	Steel	30mm	High	15.88mm	27.50mm	4	Matte



Model	Material	Diameter	Height	Width	Saddle Height	Screws Per Ring	Finish
SR-Q1004WL	Steel	1"	Low	15.88mm	16.87mm	4	Matte
SR-Q1004WM	Steel	1"	Medium	15.88mm	21.07mm	4	Matte
SR-Q1004WH	Steel	1"	High	15.88mm	26.87mm	4	Matte
SR-Q3004WL	Steel	30mm	Low	15.88mm	19.17mm	4	Matte
SR-Q3004WM	Steel	30mm	Medium	15.88mm	21.22mm	4	Matte
SR-Q3004WH	Steel	30mm	High	15.88mm	27.57mm	4	Matte

# Picatinny/Weaver Steel Ring

# 1" / 30mm

Model	Material	Diameter	Height	Width	Saddle Height	Screws Per Ring	Finish
SR-1002WL	Steel	1"	Low	15.88mm	17.10mm	2	Matte
SR-1002WM	Steel	1"	Medium	15.88mm	21.30mm	2	Matte
SR-1002WH	Steel	1"	High	15.88mm	27.10mm	2	Matte
SR-3002WL	Steel	30mm	Low	15.88mm	19.40mm	2	Matte
SR-3002WM	Steel	30mm	Medium	15.88mm	23.60mm	2	Matte
SR-3002WH	Steel	30mm	High	15.88mm	29.40mm	2	Matte



Model	Material	Diameter	Height	Width	Saddle Height	Screws Per Ring	Finish
SR-1003WL	Steel	1"	Low	15.88mm	17.10mm	2	Matte
SR-1003WM	Steel	1"	Medium	15.88mm	21.30mm	2	Matte
SR-1003WH	Steel	1"	High	15.88mm	27.10mm	2	Matte
SR-3003WL	Steel	30mm	Low	15.88mm	19.40mm	2	Matte
SR-3003WM	Steel	30mm	Medium	15.88mm	23.60mm	2	Matte
SR-3003WH	Steel	30mm	High	15.88mm	29.40mm	2	Matte

Model	Material	Diameter	Height	Width	Saddle Height	Screws Per Ring	Finish
SR-1004WL	Steel	1"	Low	15.88mm	17.10mm	2	Matte
SR-1004WM	Steel	1"	Medium	15.88mm	21.30mm	2	Matte
SR-1004WH	Steel	1"	High	15.88mm	27.10mm	2	Matte
SR-3004WL	Steel	30mm	Low	15.88mm	19.40mm	2	Matte
SR-3004WM	Steel	30mm	Medium	15.88mm	23.60mm	2	Matte
SR-3004WH	Steel	30mm	High	15.88mm	29.40mm	2	Matte



**20 Mounting System Ring**

# 1" / 30mm

## Picatinny/Weaver Steel Ring



Model	Material	Diameter	Height	Width	Saddle Height	Screws Per Ring	Finish
SR-1001WL	Steel	1"	Low	18mm	21.60mm	4	Matte
SR-1001WM	Steel	1"	Medium	18mm	25.40mm	4	Matte
SR-1001WH	Steel	1"	High	18mm	29.20mm	4	Matte
SR-3001WL	Steel	30mm	Low	18mm	23.90mm	4	Matte
SR-3001WM	Steel	30mm	Medium	18mm	27.70mm	4	Matte
SR-3001WH	Steel	30mm	High	18mm	31.50mm	4	Matte



- ◆ Durable solid steel assures exceptional strength
- ◆ Well applied for all standard picatinny/weaver rails
- ◆ Different height available from Low , Medium and High profile
- ◆ Matte black surface treatment



Mounting System Ring 21



# 1"/30mm Air Gun Ring

- ◆ Precision machined from solid **steel**
- ◆ Anodized Matte black finish
- ◆ Fit on 11mm rails with Airgun/22 dovetail dimensions
- ◆ Different height available from Low profile ,Medium profile and high profile

Model	Material	Diameter	Height	Width	Saddle Height	Screws Per Ring	Finish
SR-1002NL	Steel	1"	Low	15.88mm	19.10mm	2	Matte
SR-1002NM	Steel	1"	Medium	15.88mm	22.70mm	2	Matte
SR-1002NH	Steel	1"	High	15.88mm	26.10mm	2	Matte
SR-Q1002NL	Steel	1"	Low	15.88mm	20.10mm	4	Matte
SR-Q1002NM	Steel	1"	Medium	15.88mm	22.70mm	4	Matte
SR-Q1002NH	Steel	1"	High	15.88mm	29.10mm	4	Matte
SR-3002NL	Steel	30mm	Low	15.88mm	22.40mm	2	Matte
SR-3002NM	Steel	30mm	Medium	15.88mm	25.40mm	2	Matte
SR-3002NH	Steel	30mm	High	15.88mm	31.40mm	2	Matte
SR-Q3002NL	Steel	30mm	Low	15.88mm	22.40mm	4	Matte
SR-Q3002NM	Steel	30mm	Medium	15.88mm	25.40mm	4	Matte
SR-Q3002NH	Steel	30mm	High	15.88mm	31.40mm	4	Matte



# 1" / 30mm Turn-in Steel Rings



Model	Material	Diameter	Height	Width	Saddle Height	Screws Per Ring	See-Through	Weaver Rail	.22 Dovetail	Finish
SR-1001L	Steel	1"	Low	15.88mm	16.51mm	2	No	No	No	Matte
SR-1001M	Steel	1"	Medium	15.88mm	23.31mm	2	No	No	No	Matte
SR-1001H	Steel	1"	High	15.88mm	25.92mm	2	No	No	No	Matte
SR-3001L	Steel	30mm	Low	15.88mm	23.15mm	2	No	No	No	Matte
SR-3001M	Steel	30mm	Medium	15.88mm	27.47mm	2	No	No	No	Matte
SR-3001H	Steel	30mm	High	15.88mm	33.72mm	2	No	No	No	Matte



Model	Material	Diameter	Height	Width	Saddle Height	Screws Per Ring	See-Through	Weaver Rail	.22 Dovetail	Finish
SR-1003L	Steel	1"	Low	15.88mm	19.14mm	2	No	No	No	Matte
SR-1003M	Steel	1"	Medium	15.88mm	22.46mm	2	No	No	No	Matte
SR-1003H	Steel	1"	High	15.88mm	25.70mm	2	No	No	No	Matte
SR-3003L	Steel	30mm	Low	15.88mm	21.44mm	2	No	No	No	Matte
SR-3003M	Steel	30mm	Medium	15.88mm	24.76mm	2	No	No	No	Matte
SR-3003H	Steel	30mm	High	15.88mm	27.80mm	2	No	No	No	Matte





# 1" / 30mm

## QD INTEGRAL MOUNTING SYSTEM

Picatinny/Weaver

Aluminum Ring



ARG-Q1008WH



ARG-Q3008WH

- ◆ Available in **20moa**, **30moa** and **45moa** for long range precision shooting
- ◆ Extremely sturdy one-piece construction scope mounts
- ◆ Well applied for all standard picatinny/weaver rails
- ◆ Matte black surface treatment
- ◆ Non-slip bump, Square recoil lug
- ◆ Lever for quick attach and detach

Model	Material	Diameter	Height	Width	Saddle Height	Screws Per Ring	Finish
ARG-Q1008WH	T6 Alum.	1"	High	18.00mm	40.50mm	8	Matte
ARG-Q3008WH	T6 Alum.	30mm	High	25.40mm	40.50mm	12	Matte



- ◆ One-piece construction scope mount with bubble level

# TACTICAL ONE-PIECE

## INTEGRAL MOUNTING SYSTEM Picatinny/Weaver

### 1"/30/34/35/mm

- ◆ Available in **20moa, 30moa and 45moa** for long range precision shooting
- ◆ Extremely sturdy one-piece construction scope mounts
- ◆ Well applied for all standard picatinny/weaver rails
- ◆ Matte black surface treatment

Model	Material	Description	Diameter	Width	Saddle Height	Screws Per Ring	Finish
ARG-1008WH	T6 Alum.	0moa High	1"	18.00mm	38.00mm	8	Matte
ARG-3008WH	T6 Alum.	0moa High	30mm	25.40mm	42.00mm	12	Matte
ARG-3008WH20	T6 Alum.	20moa High	30mm	25.40mm	42.00mm	12	Matte
ARG-3008WH30	T6 Alum.	30moa High	30mm	25.40mm	42.00mm	12	Matte
ARG-3008WH45	T6 Alum.	45moa High	30mm	25.40mm	42.00mm	12	Matte
ARG-3412WH	T6 Alum.	0moa High	34mm	25.40mm	43.00mm	12	Matte
ARG-3412WH20	T6 Alum.	20moa High	34mm	25.40mm	43.00mm	12	Matte
ARG-3412WH30	T6 Alum.	30moa High	34mm	25.40mm	43.00mm	12	Matte
ARG-3412WH45	T6 Alum.	45moa High	34mm	25.40mm	43.00mm	12	Matte
ARG-3512WH	T6 Alum.	0moa High	35mm	25.40mm	43.00mm	12	Matte
ARG-3512WH20	T6 Alum.	20moa High	35mm	25.40mm	43.00mm	12	Matte
ARG-3512WH30	T6 Alum.	30moa High	35mm	25.40mm	43.00mm	12	Matte
ARG-3512WH45	T6 Alum.	45moa High	35mm	25.40mm	43.00mm	12	Matte
ARG-B1008WH with bubble level	T6 Alum.	0moa High	1"	18.00mm	38.00mm	8	Matte
ARG-B3008WH with bubble level	T6 Alum.	0moa High	30mm	25.40mm	40.50mm	12	Matte



# 1" / 30mm

## TACTICAL SCOPE ALUMINUM Ring

# NEW



- ◆ Strong and durable aluminum alloy
- ◆ Mounts to any Picatinny-style rail
- ◆ Non-slip bump, Square recoil lug
- ◆ Lever for quick attach and detach

Model	Material	Diameter	Height	Width	Saddle Height	Screws Per Ring	Finish
AR-Q1022WL	T6 Alum.	1"	Low	22.00mm	23.25mm	6	Matte
AR-Q1022WM	T6 Alum.	1"	Medium	22.00mm	27.25mm	6	Matte
AR-Q1022WH	T6 Alum.	1"	High	22.00mm	35.25mm	6	Matte
AR-Q3022WL	T6 Alum.	30mm	Low	22.00mm	27.70mm	6	Matte
AR-Q3022WM	T6 Alum.	30mm	Medium	22.00mm	34.05mm	6	Matte
AR-Q3022WH	T6 Alum.	30mm	High	22.00mm	40.40mm	6	Matte

# 1" / 30mm

## TACTICAL SCOPE ALUMINUM Ring



- ◆ Heavy duty rings with six clamping screws.
- ◆ An oversized nut to hold any scope tightly.

Model	Material	Diameter	Height	Width	Saddle Height	Screws Per Ring	Finish
AR-1003WL	T6 Alum.	1"	Low	25.40mm	19.00mm	6	Matte
AR-1003WM	T6 Alum.	1"	Medium	25.40mm	25.40mm	6	Matte
AR-1003WH	T6 Alum.	1"	High	25.40mm	31.70mm	6	Matte
AR-1003WEXH	T6 Alum.	1"	Extra High	25.40mm	38.20mm	6	Matte
AR-3003WL	T6 Alum.	30mm	Low	25.40mm	21.30mm	6	Matte
AR-3003WM	T6 Alum.	30mm	Medium	25.40mm	27.70mm	6	Matte
AR-3003WH	T6 Alum.	30mm	High	25.40mm	34.00mm	6	Matte
AR-3003WEXH	T6 Alum.	30mm	Extra High	25.40mm	40.40mm	6	Matte



- ◆ Strong and durable aluminum alloy
- ◆ Bubble level on rear ring for maximum accuracy and consistency
- ◆ Mounts to any Picatinny-style rail

Model	Material	Diameter	Height	Width	Saddle Height	Screws Per Ring	Finish
AR-B3003WL	Alum.	30mm	Low	25.40mm	27.70mm	6	Matte
AR-B3003WM	Alum.	30mm	Medium	25.40mm	34.00mm	6	Matte
AR-B3003WH	Alum.	30mm	High	25.40mm	40.40mm	6	Matte

- ◆ Heavy duty rings constructed from lightweight T6 aluminum alloy with six clamping screws.
- ◆ An oversized nut to hold any scope tightly
- ◆ Perfect for the heaviest recoiling rifles

# 1" / 30mm

## Picatinny/Weaver

### ALUMINUM Ring

- ◆ Easily detaches and remount
- ◆ T6 Aluminum construction to assure best performance
- ◆ Fits all standard Picatinny/Weaver rails

Model	Diameter	Height	Width	Saddle Height	Screws Per Ring	Finish
AR-1002WL	1"	Low	21.00mm	22.70mm	4	Matte
AR-1002WM	1"	Medium	21.00mm	26.70mm	4	Matte
AR-1002WH	1"	High	21.00mm	34.70mm	4	Matte
AR-3002WL	30mm	Low	21.00mm	25.00mm	4	Matte
AR-3002WM	30mm	Medium	21.00mm	29.00mm	4	Matte
AR-3002WH	30mm	High	21.00mm	37.00mm	4	Matte



Model	Diameter	Height	Width	Saddle Height	Screws Per Ring	Finish
AR-1004WL	1"	Low	18.00mm	22.50mm	4	Matte
AR-1004WM	1"	Medium	18.00mm	31.20mm	4	Matte
AR-1004WH	1"	High	18.00mm	37.20mm	4	Matte
AR-3004WL	30mm	Low	18.00mm	24.80mm	4	Matte
AR-3004WM	30mm	Medium	18.00mm	33.50mm	4	Matte
AR-3004WH	30mm	High	18.00mm	39.50mm	4	Matte

Model	Diameter	Height	Width	Saddle Height	Screws Per Ring	Finish
AR-1001WL	1"	Low	18.00mm	21.60mm	4	Matte
AR-1001WM	1"	Medium	18.00mm	25.40mm	4	Matte
AR-1001WH	1"	High	18.00mm	29.20mm	4	Matte
AR-3001WL	30mm	Low	18.00mm	23.90mm	4	Matte
AR-3001WM	30mm	Medium	18.00mm	27.70mm	4	Matte
AR-3001WH	30mm	High	18.00mm	31.50mm	4	Matte



Model	Diameter	Height	Width	Saddle Height	Screws Per Ring	Finish
AR-R1006WM	1"	Medium	18mm	27.7mm	4	Matte
AR-R1006WH	1"	High	18mm	34.0mm	4	Matte
AR-R3006WM	30mm	Medium	18mm	29.00mm	4	Matte
AR-R3006WH	30mm	High	18mm	36.00mm	4	Matte

# .22/Air Gun RING



- ◆ Precision machined from **aluminum** alloy
- ◆ Anodized Matte black finish
- ◆ Fit on 11mm rails with Airgun/22 dovetail dimensions
- ◆ Different height available from Low profile ,Medium profile and high profile

Model	Material	Diameter	Height	Width	Saddle Height	Screws Per Ring	Finish
AR-1002NL	Alum.	1"	Low	21.00mm	22.70mm	4	Matte
AR-1002NM	Alum.	1"	Medium	21.00mm	26.70mm	4	Matte
AR-1002NH	Alum.	1"	High	21.00mm	34.70mm	4	Matte
AR-3002NL	Alum.	30mm	Low	21.00mm	25.00mm	4	Matte
AR-3002NM	Alum.	30mm	Medium	21.00mm	29.00mm	4	Matte
AR-3002NH	Alum.	30mm	High	21.00mm	37.00mm	4	Matte

Model	Material	Diameter	Height	Width	Saddle Height	Screws Per Ring	Finish
AR-1001NL	Alum.	1"	Low	18.00mm	23.10mm	4	Matte
AR-1001NM	Alum.	1"	Medium	18.00mm	25.40mm	4	Matte
AR-1001NH	Alum.	1"	High	18.00mm	31.50mm	4	Matte
AR-3001NL	Alum.	30mm	Low	18.00mm	25.20mm	4	Matte
AR-3001NM	Alum.	30mm	Medium	18.00mm	27.70mm	4	Matte
AR-3001NH	Alum.	30mm	High	18.00mm	33.80mm	4	Matte



ARG-3007NH

30mm to 1 inch scope ring adapter Included.



ARG-1007NH



ARG-1006NH

- ◆ Precision machined from aircraft aluminum alloy
- ◆ Integral one-piece construction provides a strong mount which withstands the bumps and knocks of heavy use.
- ◆ Ring base with hex head locking screws to tightly fit on rails with Airgun .22 dovetail dimension.

Model	Material	Diameter	Height	Width	Saddle Height	Screws Per Ring	Finish
ARG-1007NH	Alum.	1"	High	21.00mm	34.70mm	8	Matte
ARG-1006NH	Alum.	1"	High	21.00mm	36.70mm	8	Matte
ARG-3007NH	Alum.	1" / 30mm	High	21.00mm	37.00mm	8	Matte

# Bubble Level Ring

- ◆ CNC machined from high strength quality T6 Aluminum Alloy or steel billet
- ◆ Integral, One-Piece construction
- ◆ Quality anadization, matte finish
- ◆ Using the bubble level to ensure that the rifle scope is perfectly vertical.
- ◆ Bubble Level Ring For 1"/30mm /34mm Tube Scope
- ◆ Water Proof · Fogging Proof \* Shock Proof



Model	Material	Diameter	Width	Screws Per Ring	Bubble Diameter	Bubble Level Color
BL-A1002	T6 Alum	1"	11.50mm	2	9.50mm	Brown
BL-A3002	T6 Alum	30mm	11.50mm	2	9.50mm	Brown
BL-A3402	T6 Alum	34mm	11.50mm	2	9.50mm	Brown
BL-S1002	Steel	1"	11.50mm	2	9.50mm	Brown
BL-S3002	Steel	30mm	11.50mm	2	9.50mm	Brown
BL-S3402	Steel	34mm	11.50mm	2	9.50mm	Brown

Model	Material	Diameter	Width	Screws Per Ring	Bubble Diameter	Bubble Level Color
BL-A1001	T6 Alum	1"	9.50mm	2	8.00mm	Green
BL-A3001	T6 Alum	30mm	9.50mm	2	8.00mm	Green
BL-A3401	T6 Alum	34mm	9.50mm	2	8.00mm	Green
BL-S1001	Steel	1"	9.50mm	2	8.00mm	Green
BL-S3001	Steel	30mm	9.50mm	2	8.00mm	Green
BL-S3401	Steel	34mm	9.50mm	2	8.00mm	Green



# 1 1/30mm Aluminum INTEGRAL RING

- ◆ Unique scope mount made of one-piece construction
- ◆ Lightweight unitized design eliminates the possibility of an "out of alignment" interface or "loose connection" between the rings and base of traditional two piece designs
- ◆ More strength and durability
- ◆ Precision CNC machining



Model	Material	Diameter	Height	Saddle Height	Overall Length (mm)		C to C Distance (mm)		Screws Per Ring	Finish	Compatible For
					Front	Rear	Front	Rear			
ART-ASZ101L	T6 Alum.	1"	Low	21.76mm	36.96	21.84	12.70	12.70	6	Matte	Anschutz54,64,153,1400,1500
ART-ASZ101M	T6 Alum.	1"	Medium	24.83mm	36.96	21.84	12.70	12.70	6	Matte	
ART-ASZ101H	T6 Alum.	1"	High	24.75mm	36.96	21.84	12.70	12.70	6	Matte	
ART-ASZ301L	T6 Alum.	30mm	Low	28.13mm	36.96	21.84	12.70	12.70	6	Matte	
ART-ASZ301M	T6 Alum.	30mm	Medium	28.40mm	36.96	21.84	12.70	12.70	6	Matte	
ART-ASZ301H	T6 Alum.	30mm	High	32.72mm	36.96	21.84	12.70	12.70	6	Matte	
ART-BRN101L	T6 Alum.	1"	Low	21.89mm	39.12	41.01	21.84	21.84	6	Matte	Browning A-Bolt L/A & S/A, A-Bolt .22
ART-BRN101M	T6 Alum.	1"	Medium	24.96mm	39.12	41.01	21.84	21.84	6	Matte	
ART-BRN101H	T6 Alum.	1"	High	28.26mm	39.12	41.01	21.84	21.84	6	Matte	
ART-BRN301L	T6 Alum.	30mm	Low	24.88mm	39.12	41.01	21.84	21.84	6	Matte	
ART-BRN301M	T6 Alum.	30mm	Medium	28.53mm	39.12	41.01	21.84	21.84	6	Matte	
ART-BRN301H	T6 Alum.	30mm	High	32.85mm	39.12	41.01	21.84	21.84	6	Matte	
ART-BRN102L	T6 Alum.	1"	Low	21.66mm					6	Matte	Browning A Bolt WSSM
ART-BRN102M	T6 Alum.	1"	Medium	24.73mm					6	Matte	
ART-BRN102H	T6 Alum.	1"	High	28.03mm					6	Matte	
ART-BRN302L	T6 Alum.	30mm	Low	24.65mm					6	Matte	
ART-BRN302M	T6 Alum.	30mm	Medium	28.30mm					6	Matte	
ART-BRN302H	T6 Alum.	30mm	High	32.62mm					6	Matte	





# Integral Ring

## Precision CNC machining

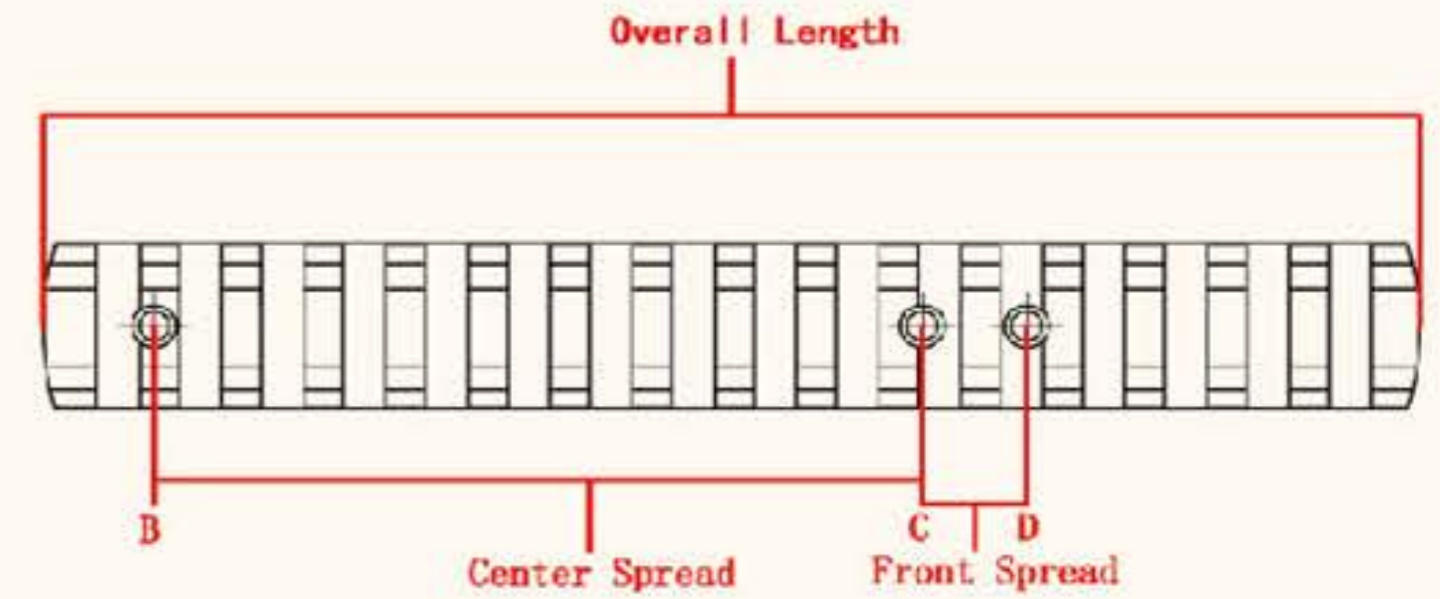
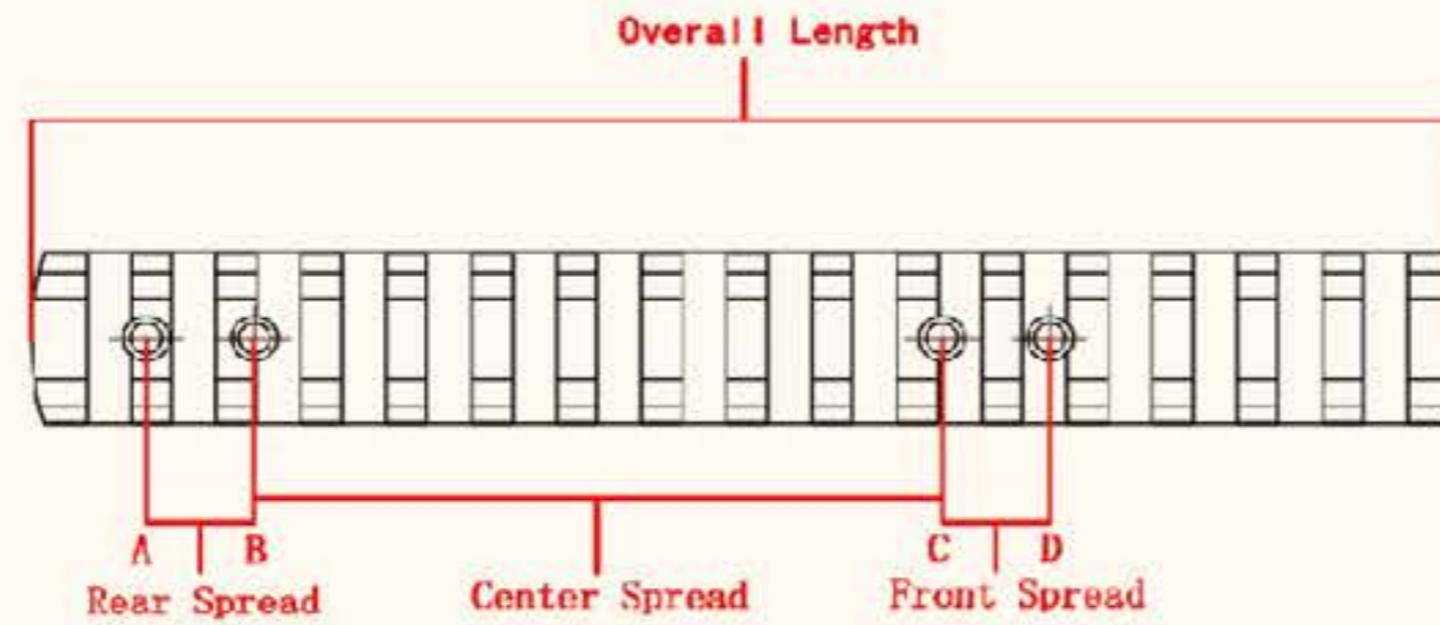
Model	Material	Diameter	Height	Saddle Height	Overall Length (mm)		C to C Distance (mm)		Screws Per Ring	Finish	Compatible For
					Front	Rear	Front	Rear			
ART-CLT101L	T6 Alum.	1"	Low	21.89mm	36.07	36.07	21.84	21.84	6	Matte	Colt Sauer; Sauer90, 200(Sigarms)
ART-CLT101M	T6 Alum.	1"	Medium	24.96mm	36.07	36.07	21.84	21.84	6	Matte	
ART-CLT101H	T6 Alum.	1"	High	28.26mm	36.07	36.07	21.84	21.84	6	Matte	
ART-CLT301L	T6 Alum.	30mm	Low	24.88mm	36.07	36.07	21.84	21.84	6	Matte	
ART-CLT301M	T6 Alum.	30mm	Medium	28.53mm	36.07	36.07	21.84	21.84	6	Matte	
ART-CLT301H	T6 Alum.	30mm	High	32.85mm	36.07	36.07	21.84	21.84	6	Matte	
ART-HOW101L	T6 Alum.	1"	Low	23.44mm	37.90	32.00	21.93	15.24	6	Matte	Howa 1500 inter-arms M1500
ART-HOW101M	T6 Alum.	1"	Medium	26.61mm	37.90	32.00	21.93	15.24	6	Matte	
ART-HOW101H	T6 Alum.	1"	High	29.81mm	37.90	32.00	21.93	15.24	6	Matte	
ART-HOW301L	T6 Alum.	30mm	Low	26.43mm	37.90	32.00	21.93	15.24	6	Matte	
ART-HOW301M	T6 Alum.	30mm	Medium	30.08mm	37.90	32.00	21.93	15.24	6	Matte	
ART-HOW301H	T6 Alum.	30mm	High	34.40mm	37.90	32.00	21.93	15.24	6	Matte	
ART-MAU101L	T6 Alum.	1"	Low	21.06mm	40.00	20.83	21.84	12.70	6	Matte	Actions Colt57, Interarms Mark X, Marlin 455, Weatherby FN Actions
ART-MAU101M	T6 Alum.	1"	Medium	24.13mm	40.00	20.83	21.84	12.70	6	Matte	
ART-MAU101H	T6 Alum.	1"	High	27.43mm	40.00	20.83	21.84	12.70	6	Matte	
ART-MAU301L	T6 Alum.	30mm	Low	24.05mm	40.00	20.83	21.84	12.70	6	Matte	
ART-MAU301M	T6 Alum.	30mm	Medium	27.70mm	40.00	20.83	21.84	12.70	6	Matte	
ART-MAU301H	T6 Alum.	30mm	High	32.02mm	40.00	20.83	21.84	12.70	6	Matte	

Model	Material	Diameter	Height	Saddle Height	Overall Length (mm)		C to C Distance (mm)		Screws Per Ring	Finish	Compatible For
					Front	Rear	Front	Rear			
ART-REM101L	T6 Alum.	1"	Low	21.89mm	32.00	38.00	21.84	15.37	6	Matte	Remington 4,6,74,7400,7600
ART-REM101M	T6 Alum.	1"	Medium	24.96mm	32.00	38.00	21.84	15.37	6	Matte	
ART-REM101H	T6 Alum.	1"	High	28.26mm	32.00	38.00	21.84	15.37	6	Matte	
ART-REM301L	T6 Alum.	30mm	Low	24.88mm	32.00	38.00	21.84	15.37	6	Matte	
ART-REM301M	T6 Alum.	30mm	Medium	28.53mm	32.00	38.00	21.84	15.37	6	Matte	
ART-REM301H	T6 Alum.	30mm	High	32.85mm	32.00	38.00	21.84	15.37	6	Matte	
ART-REM102L	T6 Alum.	1"	Low	21.66mm	31.50	41.40	21.84	15.37	6	Matte	Remington 700L/A, S/A, Ruger M77 (Round Receiver)
ART-REM102M	T6 Alum.	1"	Medium	24.73mm	31.50	41.40	21.84	15.37	6	Matte	
ART-REM102H	T6 Alum.	1"	High	28.03mm	31.50	41.40	21.84	15.37	6	Matte	
ART-REM302L	T6 Alum.	30mm	Low	24.65mm	31.50	41.40	21.84	15.37	6	Matte	
ART-REM302M	T6 Alum.	30mm	Medium	28.30mm	31.50	41.40	21.84	15.37	6	Matte	
ART-REM302H	T6 Alum.	30mm	High	32.62mm	31.50	41.40	21.84	15.37	6	Matte	
ART-REM103L	T6 Alum.	1"	Low	21.76mm	45.00	41.00	21.90	15.40	6	Matte	Remington 700L/A, S/A,Rev. Front,Ruger M77 (Round Receiver)
ART-REM103M	T6 Alum.	1"	Medium	24.83mm	45.00	41.00	21.90	15.40	6	Matte	
ART-REM103H	T6 Alum.	1"	High	28.13mm	45.00	41.00	21.90	15.40	6	Matte	
ART-REM303L	T6 Alum.	30mm	Low	24.75mm	45.00	41.00	21.90	15.40	6	Matte	
ART-REM303M	T6 Alum.	30mm	Medium	28.40mm	45.00	41.00	21.90	15.40	6	Matte	
ART-REM303H	T6 Alum.	30mm	High	32.72mm	45.00	41.00	21.90	15.40	6	Matte	
ART-SAV101L	T6 Alum.	1"	Low	21.89mm	31.00	40.00	21.84	21.84	6	Matte	Savage 110,110C,L/A & S/A, 111L/A, 112V S/A
ART-SAV101M	T6 Alum.	1"	Medium	24.96mm	31.00	40.00	21.84	21.84	6	Matte	
ART-SAV101H	T6 Alum.	1"	High	28.26mm	31.00	40.00	21.84	21.84	6	Matte	
ART-SAV301L	T6 Alum.	30mm	Low	24.88mm	31.00	40.00	21.84	21.84	6	Matte	
ART-SAV301M	T6 Alum.	30mm	Medium	28.53mm	31.00	40.00	21.84	21.84	6	Matte	
ART-SAV301H	T6 Alum.	30mm	High	32.85mm	31.00	40.00	21.84	21.84	6	Matte	
ART-SAV102L	T6 Alum.	1"	Low	23.44mm	36.00	40.00	21.84	21.84	6	Matte	Savage 110
ART-SAV102M	T6 Alum.	1"	Medium	26.51mm	36.00	40.00	21.84	21.84	6	Matte	
ART-SAV102H	T6 Alum.	1"	High	29.81mm	36.00	40.00	21.84	21.84	6	Matte	
ART-SAV302L	T6 Alum.	30mm	Low	26.43mm	36.00	40.00	21.84	21.84	6	Matte	
ART-SAV302M	T6 Alum.	30mm	Medium	30.08mm	36.00	40.00	21.84	21.84	6	Matte	
ART-SAV302H	T6 Alum.	30mm	High	34.40mm	36.00	40.00	21.84	21.84	6	Matte	
ART-SAV103L	T6 Alum.	1"	Low	22.61mm	30.50	52.00	21.80	21.90	6	Matte	Savage 110
ART-SAV103M	T6 Alum.	1"	Medium	25.68mm	30.50	52.00	21.80	21.90	6	Matte	
ART-SAV103H	T6 Alum.	1"	High	28.95mm	30.50	52.00	21.80	21.90	6	Matte	
ART-SAV303L	T6 Alum.	30mm	Low	25.60mm	30.50	52.00	21.80	21.90	6	Matte	
ART-SAV303M	T6 Alum.	30mm	Medium	29.25mm	30.50	52.00	21.80	21.90	6	Matte	
ART-SAV303H	T6 Alum.	30mm	High	33.57mm	30.50	52.00	21.80	21.90	6	Matte	

Model	Material	Diameter	Height	Saddle Height	Overall Length (mm)		C to C Distance (mm)		Screws Per Ring	Finish	Compatible For
					Front	Rear	Front	Rear			
ART-TIK101L	T6 Alum.	1"	Low	24.61mm	32.00	32.00	21.84	21.84	6	Matte	Tikka
ART-TIK101M	T6 Alum.	1"	Medium	27.68mm	32.00	32.00	21.84	21.84	6	Matte	
ART-TIK101H	T6 Alum.	1"	High	30.98mm	32.00	32.00	21.84	21.84	6	Matte	
ART-TIK301L	T6 Alum.	30mm	Low	27.6mm	32.00	32.00	21.84	21.84	6	Matte	
ART-TIK301M	T6 Alum.	30mm	Medium	30.75mm	32.00	32.00	21.84	21.84	6	Matte	
ART-TIK301H	T6 Alum.	30mm	High	34.00mm	32.00	32.00	21.84	21.84	6	Matte	
ART-WEA101L	T6 Alum.	1"	Low	21.42mm	37.00	37.00	21.84	15.37	6	Matte	Weatherby Mark V. Mag cal
ART-WEA101M	T6 Alum.	1"	Medium	24.49mm	37.00	37.00	21.84	15.37	6	Matte	
ART-WEA101H	T6 Alum.	1"	High	27.79mm	37.00	37.00	21.84	15.37	6	Matte	
ART-WEA301L	T6 Alum.	30mm	Low	24.41mm	37.00	37.00	21.84	15.37	6	Matte	
ART-WEA301M	T6 Alum.	30mm	Medium	28.10mm	37.00	37.00	21.84	15.37	6	Matte	
ART-WEA301H	T6 Alum.	30mm	High	32.42mm	37.00	37.00	21.84	15.37	6	Matte	
ART-WIN101L	T6 Alum.	1"	Low	20.93mm	35.00	40.00	21.84	21.84	6	Matte	Winchester70 (Rear Hoe Spacing 860) L/A & S/A, Browning BBR L/A & S/A
ART-WIN101M	T6 Alum.	1"	Medium	24.00mm	35.00	40.00	21.84	21.84	6	Matte	
ART-WIN101H	T6 Alum.	1"	High	27.30mm	35.00	40.00	21.84	21.84	6	Matte	
ART-WIN301L	T6 Alum.	30mm	Low	23.92mm	35.00	40.00	21.84	21.84	6	Matte	
ART-WIN301M	T6 Alum.	30mm	Medium	27.57mm	35.00	40.00	21.84	21.84	6	Matte	
ART-WIN301H	T6 Alum.	30mm	High	31.89mm	35.00	40.00	21.84	21.84	6	Matte	
ART-WIN102L	T6 Alum.	1"	Low	20.93mm	35.00	30.00	21.84	11.05	6	Matte	Win 70 Pre 64
ART-WIN102M	T6 Alum.	1"	Medium	24.00mm	35.00	30.00	21.84	11.05	6	Matte	
ART-WIN102H	T6 Alum.	1"	High	27.30mm	35.00	30.00	21.84	11.05	6	Matte	
ART-WIN302L	T6 Alum.	30mm	Low	23.92mm	35.00	30.00	21.84	11.05	6	Matte	
ART-WIN302M	T6 Alum.	30mm	Medium	27.57mm	35.00	30.00	21.84	11.05	6	Matte	
ART-WIN302H	T6 Alum.	30mm	High	31.89mm	35.00	30.00	21.84	11.05	6	Matte	
ART-WIN103L	T6 Alum.	1"	Low	22.39mm	30.50	40.00	21.84	11.00	6	Matte	Winchester 70 Rev. Rear Pre 64
ART-WIN103M	T6 Alum.	1"	Medium	25.46mm	30.50	40.00	21.84	11.00	6	Matte	
ART-WIN103H	T6 Alum.	1"	High	28.76mm	30.50	40.00	21.84	11.00	6	Matte	
ART-WIN303L	T6 Alum.	30mm	Low	25.38mm	30.50	40.00	21.84	11.00	6	Matte	
ART-WIN303M	T6 Alum.	30mm	Medium	29.03mm	30.50	40.00	21.84	11.00	6	Matte	
ART-WIN303H	T6 Alum.	30mm	High	33.35mm	30.50	40.00	21.84	11.00	6	Matte	
ART-WIN104L	T6 Alum.	1"	Low	21.11mm	46.00	40.00	21.84	21.84	6	Matte	Winchester 70 Rev. F&R Pre 64
ART-WIN104M	T6 Alum.	1"	Medium	24.18mm	46.00	40.00	21.84	21.84	6	Matte	
ART-WIN104H	T6 Alum.	1"	High	27.48mm	46.00	40.00	21.84	21.84	6	Matte	
ART-WIN304L	T6 Alum.	30mm	Low	24.10mm	46.00	40.00	21.84	21.84	6	Matte	
ART-WIN304M	T6 Alum.	30mm	Medium	27.75mm	46.00	40.00	21.84	21.84	6	Matte	
ART-WIN304H	T6 Alum.	30mm	High	32.07mm	46.00	40.00	21.84	21.84	6	Matte	

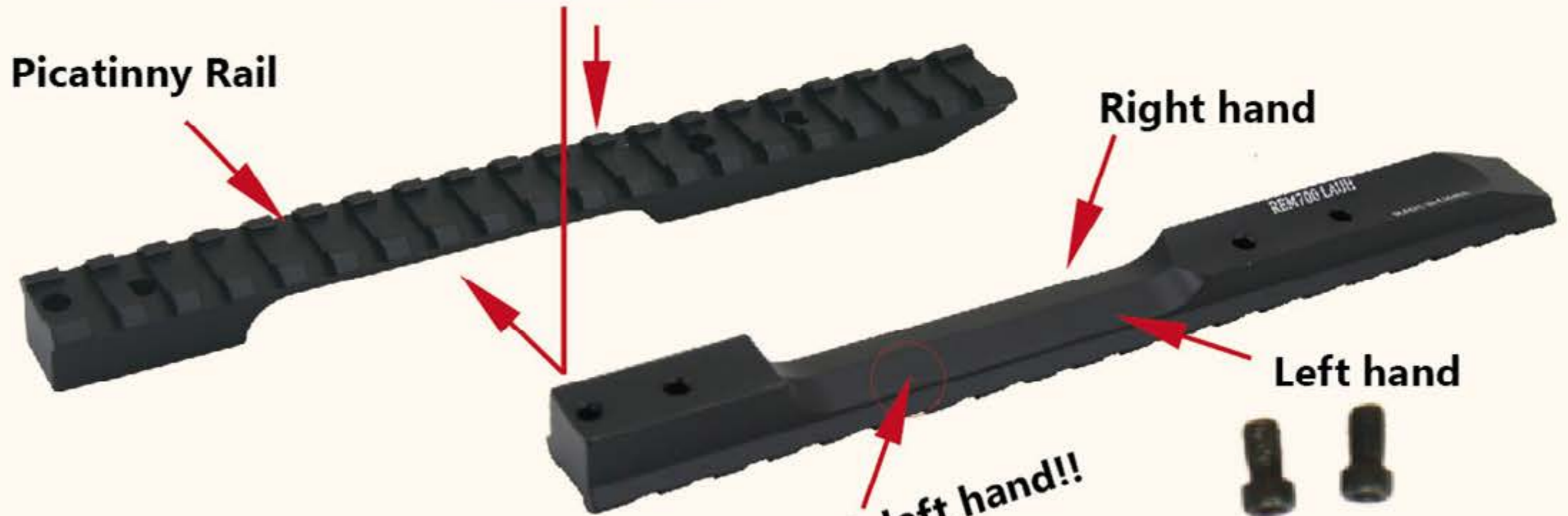
# Steel & Aluminum Picatinny Rails

Remington 700 and Savage 110 and Winchester 70 and Howa 1500



Precision Cut

Picatinny Rail



Unique design, right hand & left hand!!



Gun Screws #6-48 UNF

Model	Material	Overall Length (mm)	C to C Distance (mm)			Model	Material	Screws per Unit	Designed For	Finish
			AB	BC	CD					
MNT-1509	T6 Alum.	155.50	14.30	108.00		S-1509	Steel	0	Picatinny Rail to accept STANAG diemensions	Matte
MNT-BRN BAR	T6 Alum.	150.00		92.20	21.84	S-BRN BAR	Steel	4	Browning Bar	Matte
MNT-BRN BLR LAUH	T6 Alum.	130.00	12.70	80.95	12.70	S-BRN BLR LAUH	Steel	4	Browning Lever Action, Long Action,0 moa	Matte
MNT-BRN BLR SAUH	T6 Alum.	130.00	12.70	71.40	12.70	S-BRN BLR SAUH	Steel	4	Browning Lever Action, Short Action,0 moa	Matte
MNT-BRN BLR STLA	T6 Alum.	180.00	39.20	76.00		S-BRN BLR STLA	Steel	3	Browning BLR Scout Style, long action. Take-down	Matte
MNT-BRN BLR STSA	T6 Alum.	180.00	39.20	100.00		S-BRN BLR STSA	Steel	3	Browning BLR Scout Style, short action. Take-down	Matte
MNT-BRNXBLAUH	T6 Alum.	187.85	17.78	93.85	17.78	S-BRNXBLAUH	Steel	8	Browning X-Bolt, long action, right & left hand	Matte
MNT-BRNXBLAUH20	T6 Alum.	187.85	17.78	93.85	17.78	S-BRNXBLAUH20	Steel	8	Browning X-Bolt, long action, right & left hand, 20moa	Matte
MNT-BRNXBSAUH	T6 Alum.	167.85	17.78	74.70	17.78	S-BRNXBSAUH	Steel	8	Browning X-Bolt, short action, right & left hand	Matte
MNT-BRNXBSAUH20	T6 Alum.	167.85	17.78	74.70	17.78	S-BRNXBSAUH20	Steel	8	Browning X-Bolt, short action, right & left hand,20moa	Matte
MNT-BRNXBSSA	T6 Alum.	147.50	17.70	71.70	17.70	S-BRNXBSSA	Steel	8	Browning X Bolt Super Short Action	Matte
MNT-BRNXBSSA20	T6 Alum.	147.50	17.70	71.70	17.70	S-BRNXBSSA20	Steel	8	Browning X Bolt Super Short Action,20moa	Matte
MNT-HOWA LAUH	T6 Alum.	176.00	15.24	113.79	21.93	S-HOWA LAUH	Steel	4	Howa 1500 Long action right and left hand	Matte
MNT-HOWA LAUH 20	T6 Alum.	176.00	15.24	113.79	21.93	S-HOWA LAUH 20	Steel	4	Howa 1500 Long action right and left hand 20moa	Matte
MNT-HOWA MAUH	T6 Alum.	138.00	15.24	80.01	21.93	S-HOWA MAUH	Steel	4	Howa 1500 Mini action right and left hand	Matte
MNT-HOWA MAUH 20	T6 Alum.	138.00	15.24	80.01	21.93	S-HOWA MAUH 20	Steel	4	Howa 1500 Mini action right and left hand 20moa	Matte
MNT-HOWA SAUH	T6 Alum.	162.30	15.24	98.55	21.93	S-HOWA SAUH	Steel	4	Howa 1500 Short action right and left hand	Matte
MNT-HOWA SAUH 20	T6 Alum.	162.30	15.24	98.55	21.93	S-HOWA SAUH 20	Steel	4	Howa 1500 Short action right and left hand 20moa	Matte
MNT-REM700LAUH(leo)	T6 Alum.	167.50	15.70	113.80	21.90	S-REM700LAUH(leo)	Steel	4	REM700 Long action right and left hand	Matte

**Available in 20moa, 30moa, 45moa**

Model	Material	Overall Length (mm)	C to C Distance (mm)			Model	Material	Screws per Unit	Designed For	Finish
			AB	BC	CD					
MNT-REM700SAUH(leo)	T6 Alum.	167.50	15.70	91.95	21.89	S-REM700SAUH(leo)	Steel	4	Browning Bar	Matte
MNT-REM700L	T6 Alum.	200.00	15.70	113.80	21.90	S-REM700L	Steel	4	REM700 Long action right and left hand	Matte
MNT-REM700L 20	T6 Alum.	200.00	15.70	113.80	21.90	S-REM700L 20	Steel	4	REM700 Long action right and left hand 20moa	Matte
MNT-REM700S	T6 Alum.	200.00	15.70	91.95	21.90	S-REM700S	Steel	4	REM700 Short action right and left hand	Matte
MNT-REM700S 20	T6 Alum.	200.00	15.70	91.95	21.90	S-REM700S 20	Steel	4	REM700 Short action right and left hand 20moa	Matte
MNT-SAV AXIS	T6 Alum.	162.00	21.80	109.70	21.80	S-SAV AXIS	Steel	4	Savage AXIS	Matte
MNT-SAV110L	T6 Alum.	200.00	21.80	117.60	21.90	S-SAV110L	Steel	4	SAV110 Long action right and left hand	Matte
MNT-SAV110L 20	T6 Alum.	200.00	21.80	118.60	21.90	S-SAV110L 20	Steel	4	SAV110 Long action right and left hand 20moa	Matte
MNT-SAV110S	T6 Alum.	200.00	22.10	100.05	22.10	S-SAV110S	Steel	4	SAV110 Short action right and left hand	Matte
MNT-SAV110S 20	T6 Alum.	200.00	22.10	100.05	22.10	S-SAV110S 20	Steel	4	SAV110 Short action right and left hand 20moa	Matte
MNT-WIN XPR LAUH	T6 Alum.	180.00	21.84	98.11	21.90	S-WIN XPR LAUH	Steel	4	Winchester XPR Long Action 0 moa	Matte
MNT-WIN XPR LAUH 20	T6 Alum.	180.00	21.84	98.11	21.90	S-WIN XPR LAUH 20	Steel	4	Winchester XPR Long Action 20 moa	Matte
MNT-WIN XPR SAUH	T6 Alum.	170.00	21.84	84.86	21.90	S-WIN XPR SAUH	Steel	4	Winchester XPR Short Action 0 moa	Matte
MNT-WIN XPR SAUH 20	T6 Alum.	170.00	21.84	84.86	21.90	S-WIN XPR SAUH 20	Steel	4	Winchester XPR Short Action 20 moa	Matte
MNT-WIN70L	T6 Alum.	200.00	21.80	96.60	21.80	S-WIN70L	Steel	4	WIN70 Long action right and left hand	Matte
MNT-WIN70S	T6 Alum.	200.00				S-WIN70S	Steel		WIN70 Short action right and left hand	Matte
MNT-RUG M77 MK2 LAUH	T6 Alum.	146.00	X	X	X	S-RUG M77 MK2 LAUH	Steel	4	Ruger M77 Mk2,long action	Matte
MNT-RUG M77 MK2 SAUH	T6 Alum.	138.00	X	X	X	S-RUG M77 MK2 SAUH	Steel	4	Ruger M77 Mk2,short action	Matte

Available in 20moa, 30moa, 45moa

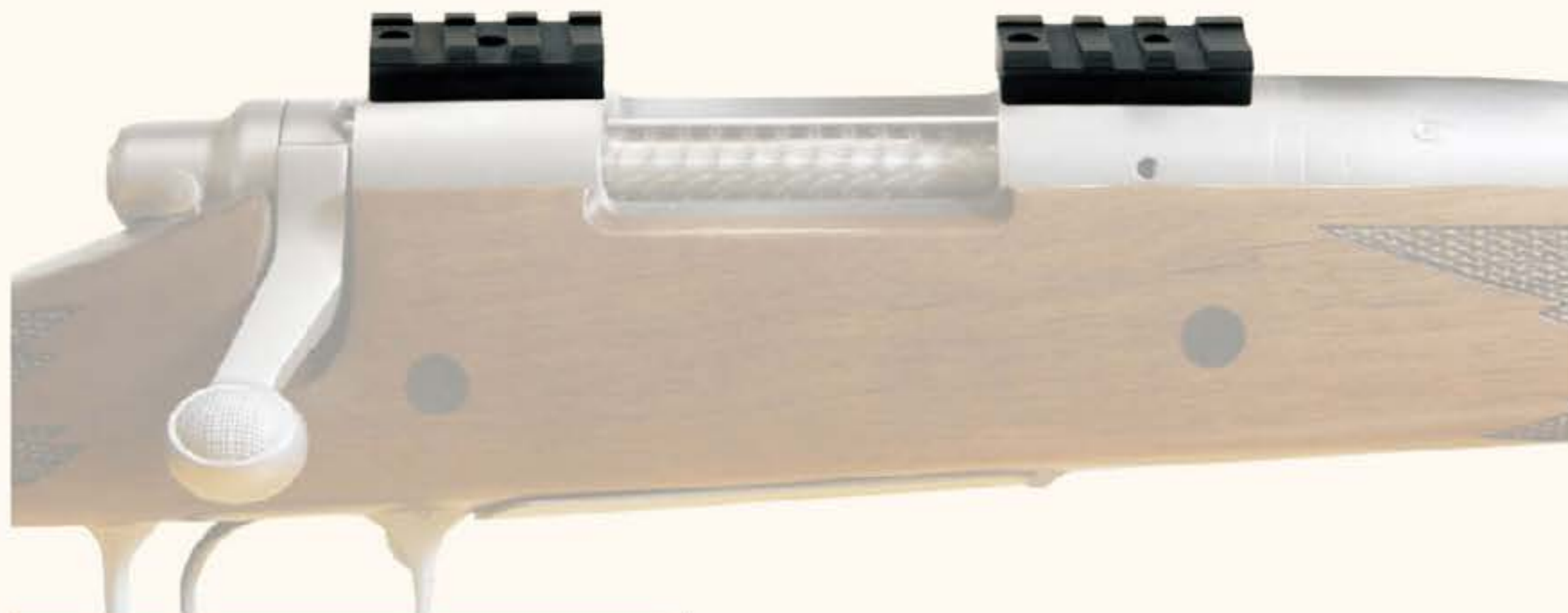
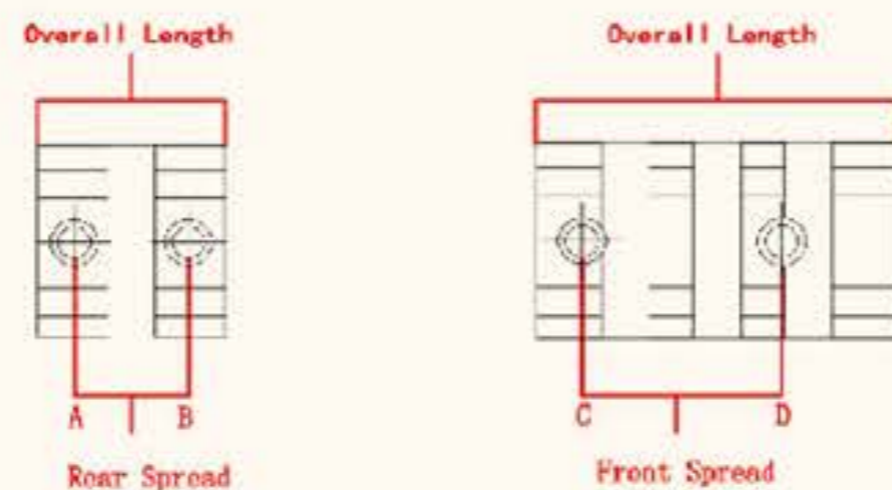
# 2-Piece Picatinny Scope Base



- ◆ Two-piece construction bases provide rings a solid and firm mount to your firearm without adding unnecessary weight.
- ◆ Picatinny rail Bases are matched with your choice of rings style in low, medium and high profile.
- ◆ Bases are precision fit and won't move under heavy recoil.



# Picatinny Rail

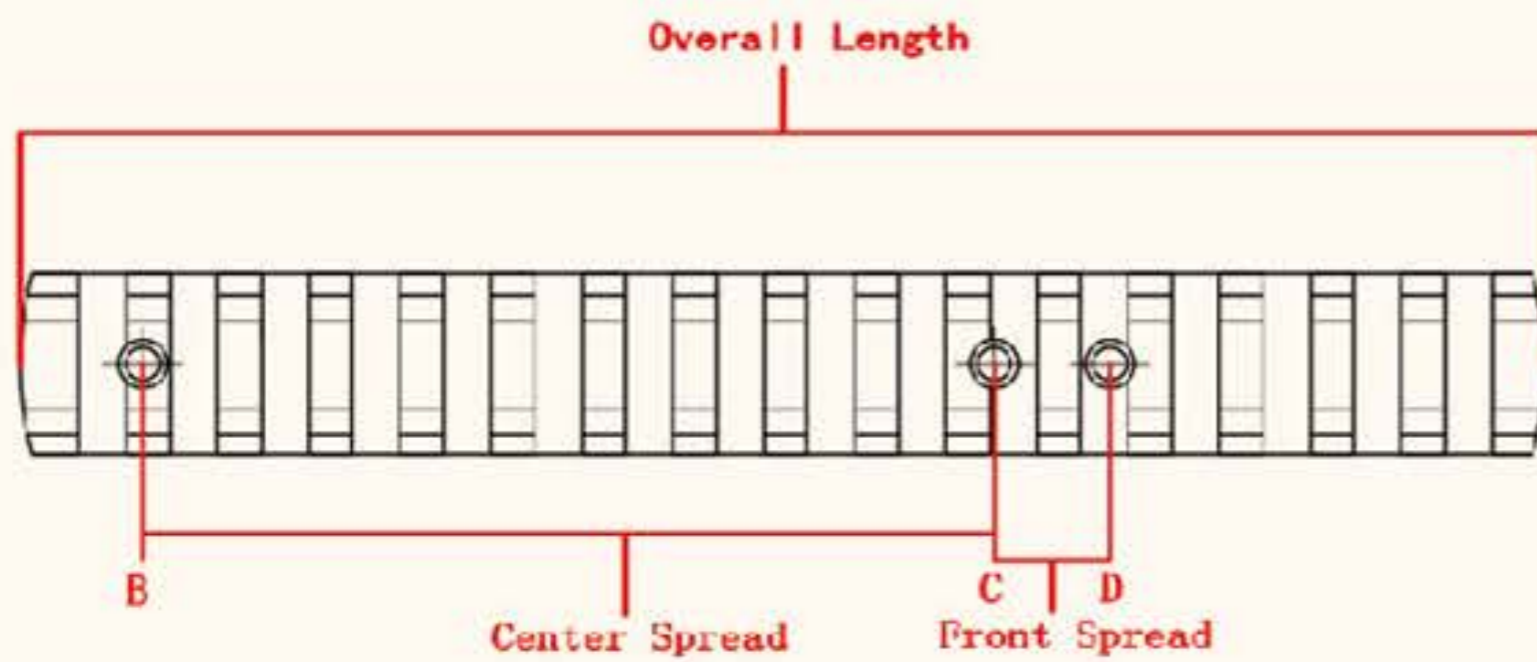
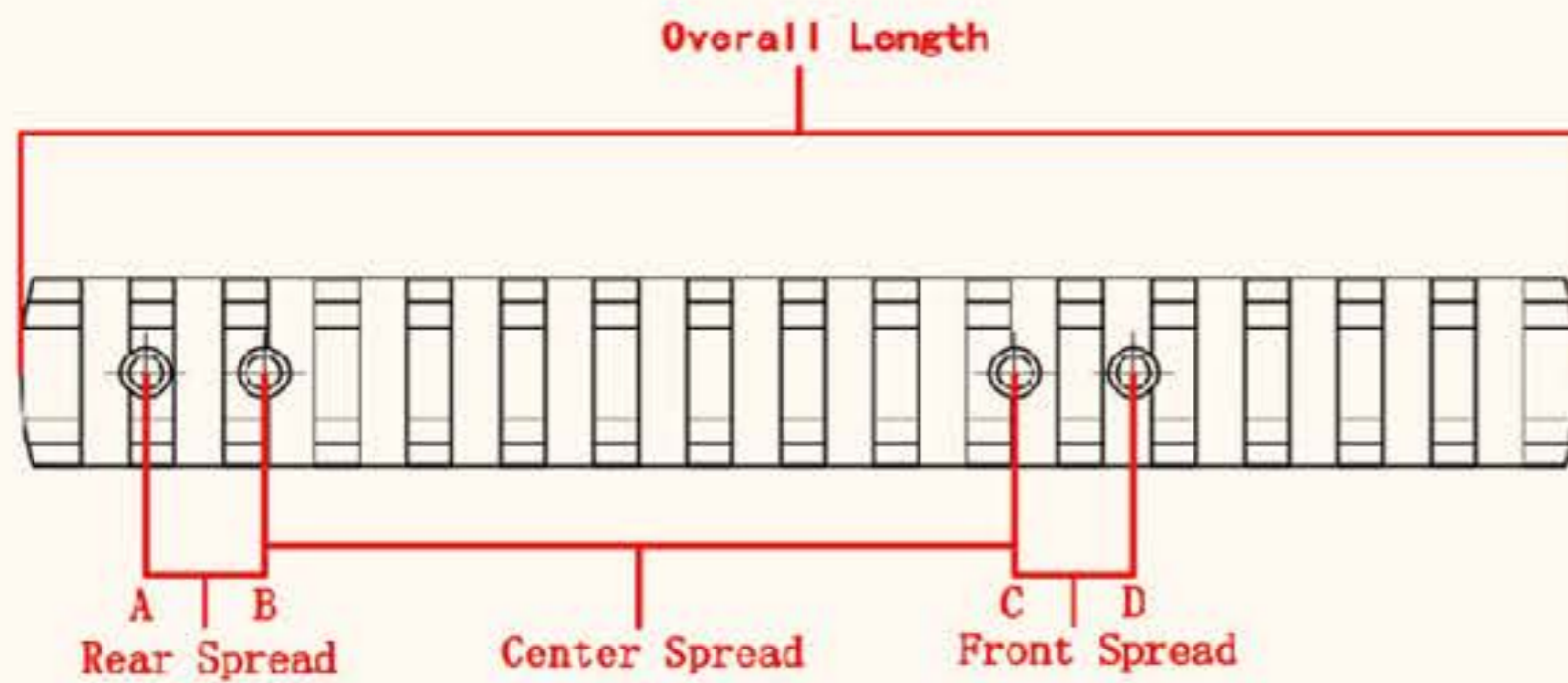


Model	Material	Overall Length (mm)		C to C Distance (mm)		Model	Material	Screws per Unit	Compatible For	Finshi
		Front	Rear	Front	Rear					
PB-REM101	Steel	40.49	37.34	21.84	15.37	AB-REM101	T6 Alum.	4	Remington 700 L/A & S/A, 40X, 78,721,725	Matte
PB-ASZ101	Steel	36.96	21.84	12.70	12.70	AB-ASZ101	T6 Alum.	4	Anschutz 54,64,153,1400,1500	Matte
PB-BRN101	Steel	39.12	40.01	21.84	21.84	AB-BRN101	T6 Alum.	4	Browning A-Bolt L/A & S/A, A-Bolt.22	Matte
PB-BRN102	Steel	39.12	30.73			AB-BRN102	T6 Alum.	4	Browning A-Bolt WSSM	Matte
PB-CLT101	Steel	36.07	36.07	21.84	21.84	AB-CLT101	T6 Alum.	4	Colt Sauer,Sauer 90,200 (Sigarms)	Matte
PB-MAU101	Steel	39.62	20.83	21.84	12.70	AB-MAU101	T6 Alum.	4	FN mauser Actions.Colt 57, Interarms Mark X, Marlin 455, Weatherby FN Actions	Matte
PB-REM102	Steel	30.50	41.40	21.84	15.37	AB-REM102	T6 Alum.	4	Remington 700 L/A & S/A, Ruger M77 (Round Receiver)	Matte
PB-REM103	Steel	46.80	41.40	21.90	15.40	AB-REM103	T6 Alum.	4	Remington 700 L/A, S/A, Rev.Front, Ruger M77 (Round Receiver)	Matte
PB-SAK101	Steel	36.83	26.67			AB-SAK101	T6 Alum.	4	Sako Taperd Dovetail Receivers L/A & S/A	Matte
PB-SAV101	Steel	40.13	40.01	21.84	21.84	AB-SAV101	T6 Alum.	4	Savage 110,110C L/A & S/A, 111L/A, 112V S/A	Matte
PB-SAV102	Steel	40.13	40.01	21.84	21.84	AB-SAV102	T6 Alum.	4	Savage 110	Matte
PB-SAV103	Steel	30.50	52.00	21.80	21.90	AB-SAV103	T6 Alum.	4	Savage 10/110 Round Receiver	Matte
PB-TIK101	Steel	30.50	30.50	21.84	21.84	AB-TIK101	T6 Alum.	4	Tikka	Matte
PB-WEA101	Steel	40.49	37.34	21.84	15.37	AB-WEA101	T6 Alum.	4	Weatherby Mark V Mag cal	Matte
PB-WIN101	Steel	39.12	40.01	21.84	21.84	AB-WIN101	T6 Alum.	4	Winchester 70(Rear Hole Spacing.860) L/A & S/A, Browning BBR L/A & S/A	Matte
PB-WIN102	Steel	39.12	29.34	21.84	11.05	AB-WIN102	T6 Alum.	4	Win70 Pre64	Matte
PB-WIN103	Steel	30.50	41.40	21.84	11.00	AB-WIN103	T6 Alum.	4	Winchester 70 Rev.Rear Pre64	Matte
PB-WIN104	Steel	46.80	41.40	21.84	21.84	AB-WIN104	T6 Alum.	4	Winchester 70 Rev.Rear Pre64	Matte



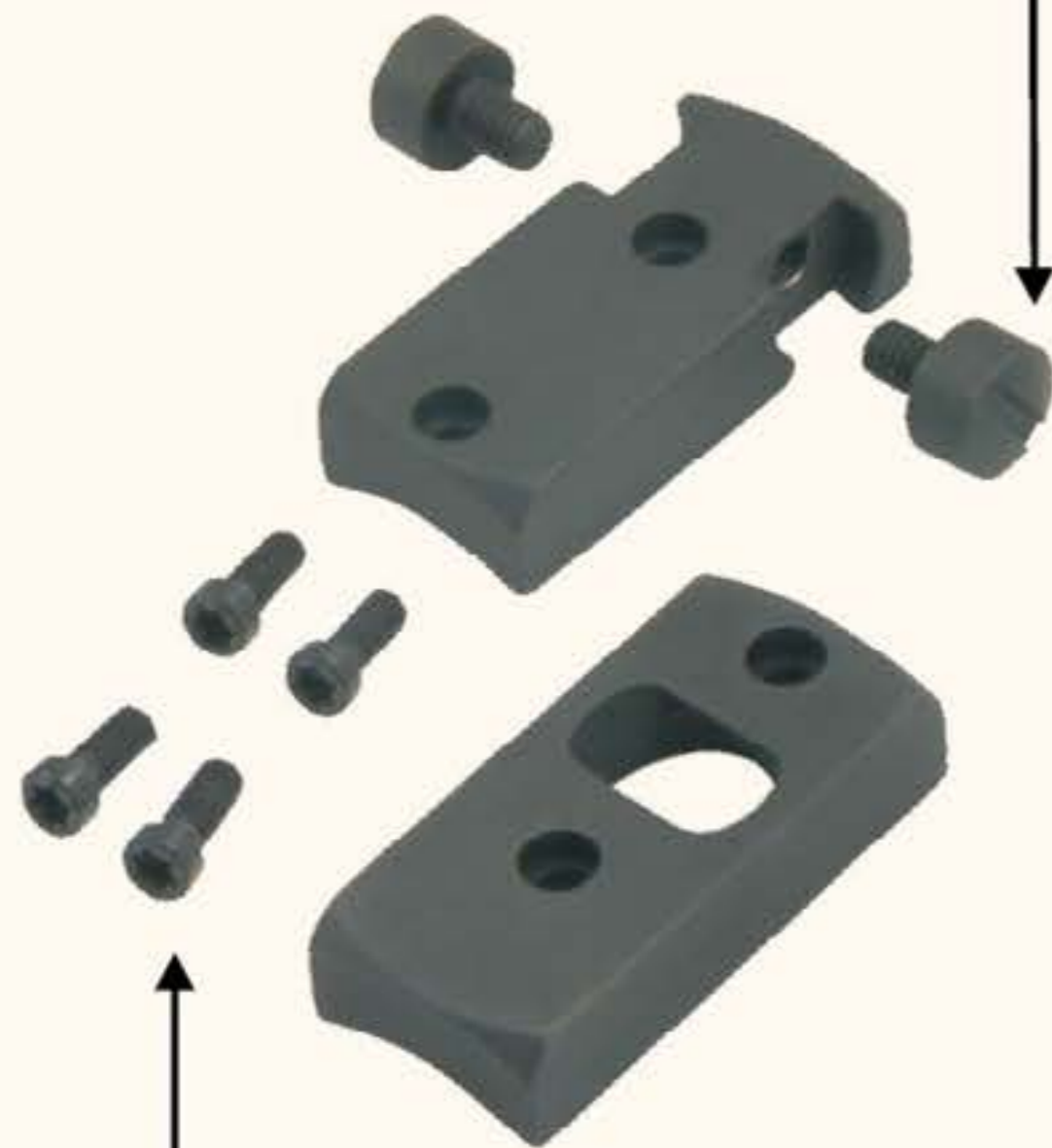
# 1-Piece Picatinny Scope Base

- One-piece construction base provides rings a solid and firm mount to your firearm without adding unnecessary weight.
- Picatinny rail Bases are matched with your choice of rings style in low, medium and high profile.

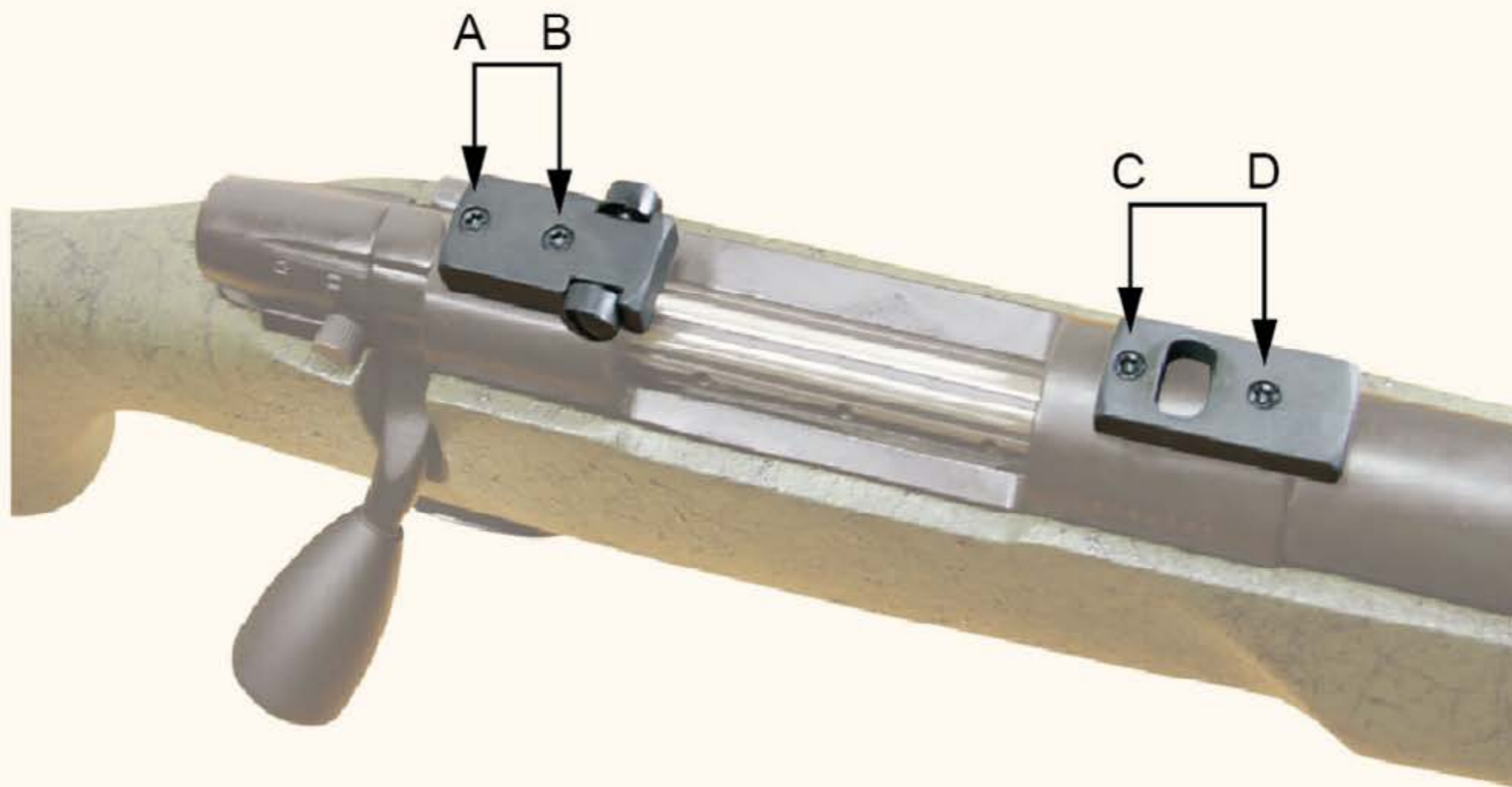


Model	Material	Overall Length (mm)	C to C Distance (mm)			Model	Material	Screws per Unit	Designed For	Finish
			AB	BC	CD					
PB-BRN001	Steel	150.00		80.95	12.70	AB-BRN001	T6 Alum.	3	Browning Bar (semi-auto) BPR,Mark II	Matte
PB-BRN002	Steel	150.00		98.17	21.84	AB-BRN002	T6 Alum.	3	Browning A-Bolt L/A	Matte
PB-BRN003	Steel	150.00	21.84	79.12	21.84	AB-BRN003	T6 Alum.	3	Browning A Bolt S/A	Matte
PB-HSV001	Steel	150.00		108.60	21.84	AB-HSV001	T6 Alum.	2	Husqvarna husky,norrahammer	Matte
PB-MAR001	Steel	150.00		69.85	12.70	AB-MAR001	T6 Alum.	3	Marlin 36,36A,336,444 Sportor,1895,9,922	Matte
PB-MAR002	Steel	150.00		47.63	12.70	AB-MAR002	T6 Alum.	3	Marlin 1894	Matte
PB-MAU001	Steel	150.00		108.58	21.84	AB-MAU001	T6 Alum.	3	Mauser 98	Matte
PB-MAU002	Steel	150.00		108.58	21.84	AB-MAU002	T6 Alum.	3	Mauser swedish small ring 95	Matte
PB-MAU003	Steel	150.00		109.86	21.84	AB-MAU003	T6 Alum.	3	Mauser FN	Matte
PB-REM001	Steel	150.00	15.37	52.07	21.84	AB-REM001	T6 Alum.	4	Remington 4, 6, 74, 7400, 7600	Matte
PB-REM002	Steel	150.00	15.37	41.91	21.84	AB-REM002	T6 Alum.	4	Remington 740, 742, 760	Matte
PB-REM003	Steel	150.00		113.79	21.84	AB-REM003	T6 Alum.	3	Remington 40X,72,721,725,Long actions weatherby Vanguard	Matte
PB-REM004	Steel	150.00		92.20	21.84	AB-REM004	T6 Alum.	3	Remington 700SA,722,725	Matte
PB-REM005	Steel	150.00		75.95	21.84	AB-REM005	T6 Alum.	3	Reming 788 L/A Cals.:222mag.,22-250, 30/30	Matte
PB-REM006	Steel	150.00		83.57	21.84	AB-REM006	T6 Alum.	3	Reming 788 S/A Cal.:243,6mm,-308	Matte
PB-RUG001	Steel	150.00		65.30	12.75	AB-RUG001	T6 Alum.	3	Ruger 1022	Matte
PB-SAK001	Steel	150.00	21.84	62.16	21.84	AB-SAK001	T6 Alum.	4	Sako finnwolf, winchester 88,100	Matte
PB-SAV001	Steel	150.00		117.58	21.84	AB-SAV001	T6 Alum.	3	Savage 110 series L/A	Matte
PB-SAV002	Steel	150.00		103.87	21.84	AB-SAV002	T6 Alum.	3	Savage 110 series S/A	Matte
PB-SAV003	Steel	162.00	21.84	109.7	21.84	AB-SAV003	T6 Alum.	4	Savage Axis	Matte
PB-SPR001	Steel	150.00		104.14		AB-SPR001	T6 Alum.	2	Springfield 03A3, A4	Matte
PB-SPR002	Steel	150.00		104.14	21.84	AB-SPR002	T6 Alum.	3	Springfield 03	Matte
PB-TMS001	Steel	125.70	7.95	21.26	7.95	AB-TMS001	T6 Alum.	4	Thopson Certer Encore	Matte
PB-WIN001	Steel	150.00		107.32	21.84	AB-WIN001	T6 Alum.	3	Winchester 70 (only one rear hole)	Matte
PB-WIN002	Steel	150.00		104.47	21.84	AB-WIN002	T6 Alum.	3	Winchester 70S/A	Matte
PB-WIN003	Steel	150.00		96.52	21.84	AB-WIN003	T6 Alum.	3	Winchester 70	Matte
PB-WIN004	Steel	150.00		104.47	21.84	AB-WIN004	T6 Alum.	3	Winchester 70 S/A (1984+)	Matte
PB-WIN005	Steel	150.00		95.25		AB-WIN005	T6 Alum.	2	Winchester 94 angle eject	Matte
PB-WIN006	Steel	150.00		104.80	21.84	AB-WIN006	T6 Alum.	3	Winchester 70 PRE 64 (rear hole spc.435)	Matte

Windage Screws



Gun Screws  
#6-48 UNF



# 2-Piece Construction Steel Base

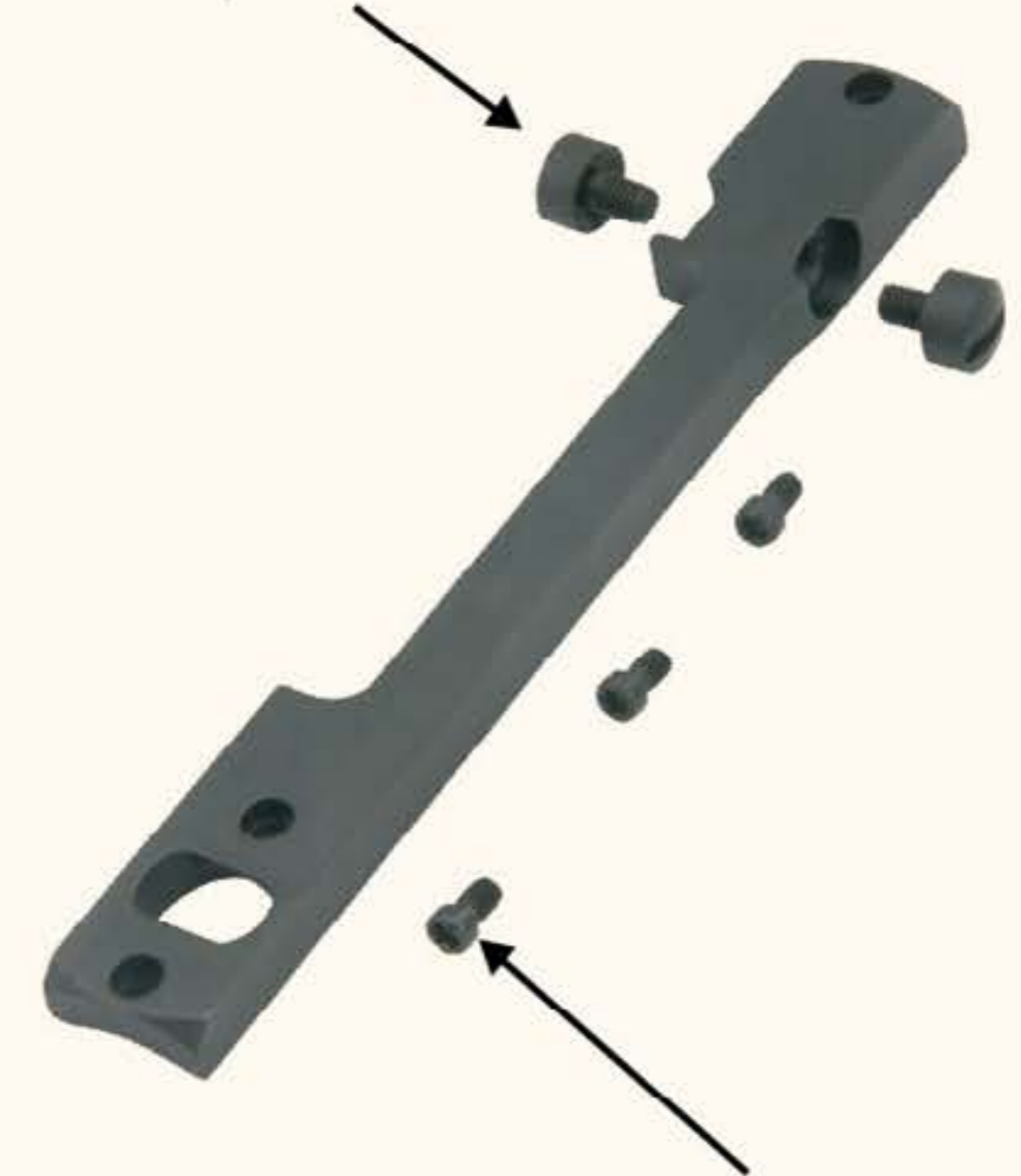


Model	Material	Overall Length (mm)		C to C Distance (mm)		Screws per Unit	Compatible For	Finshi
		Front	Rear	Front	Rear			
SB-ASZ101	Steel	36.96	21.84	12.70	12.70	4	Anschutz 54,64,153,1400,1500	Matte
SB-BRN101	Steel	39.12	41.01	21.84	21.84	4	Browning A-Bolt L/A & S/A, A-Bolt.22	Matte
SB-BRN102	Steel	39.12	30.73			4	Browning A-Bolt WSSM	Matte
SB-CLT101	Steel	36.07	36.07	21.84	21.84	4	Colt Sauer,Sauer 90,200 (Sigarms)	Matte
SB-MAU101	Steel	39.62	20.83	21.84	12.70	4	FN mauser Actions.Colt 57, Interarms Mark X, Marlin 455, Weatherby FN Actions	Matte
SB-REM101	Steel	40.49	37.34	21.84	15.37	4	Remington 700 L/A & S/A, 40X, 78,721,725	Matte
SB-REM102	Steel	30.50	41.40	21.84	15.37	4	Remington 700 L/A & S/A, Ruger M77 (Round Receiver)	Matte
SB-REM103	Steel	46.80	41.40	21.90	15.40	4	Remington 700 L/A, S/A, Rev.Front, Ruger M77 (Round Receiver)	Matte
SB-SAK101	Steel	36.83	26.67			4	Sako Tapered Dovetail Receivers L/A & S/A	Matte
SB-SAV101	Steel	40.13	40.01	21.84	21.84	4	Savage 110,110C L/A & S/A, 111L/A, 112V S/A	Matte
SB-SAV102	Steel	40.13	40.01	21.84	21.84	4	Savage 110	Matte
SB-SAV103	Steel	30.50	52.00	21.80	21.90	4	Savage 10/110 Round Receiver	Matte
SB-TIK101	Steel	30.50	30.50	21.84	21.84	4	Tikka	Matte
SB-WEA101	Steel	40.49	40.49	21.84	15.37	4	Weatherby Mark V. MagCal	Matte
SB-WIN101	Steel	39.12	40.01	21.84	21.84	4	Winchester 70 (Rear Hole Spacing.860) L/A & S/A, Browning BBR L/A & S/A	Matte
SB-WIN102	Steel	39.12	29.34	21.84	11.05	4	Win 70 Pre 64	Matte
SB-WIN103	Steel	30.50	41.40	21.84	11.00	4	Winchester 70 Rev.Rear Pre64	Matte
SB-WIN104	Steel	46.80	41.40	21.84	21.84	4	Winchester 70 Rev.F&R Pre64	Matte

# 1-Piece Construction Steel Base



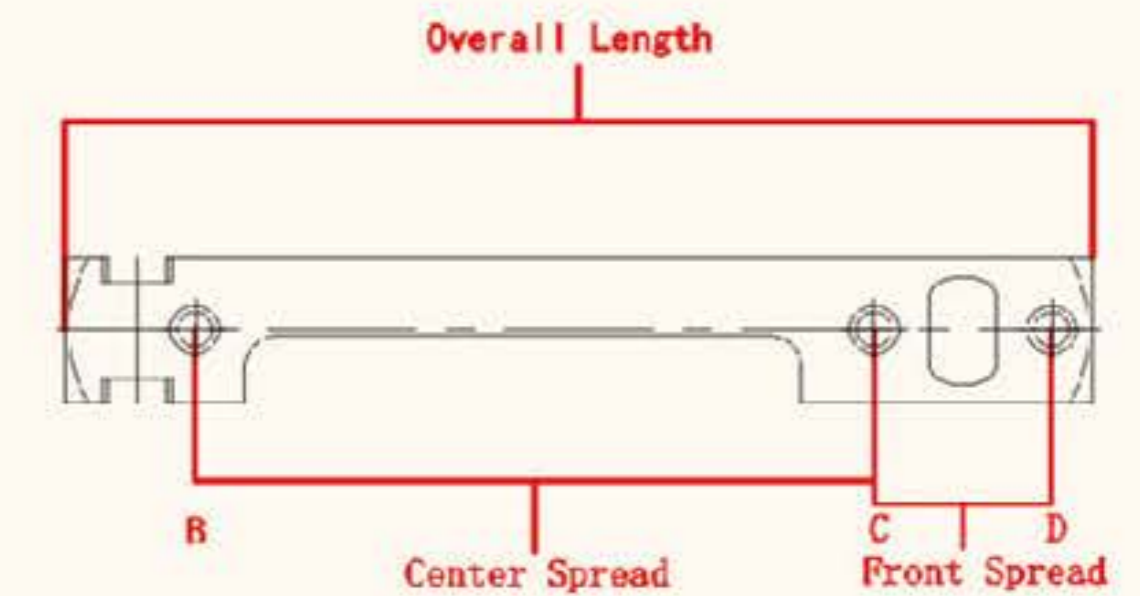
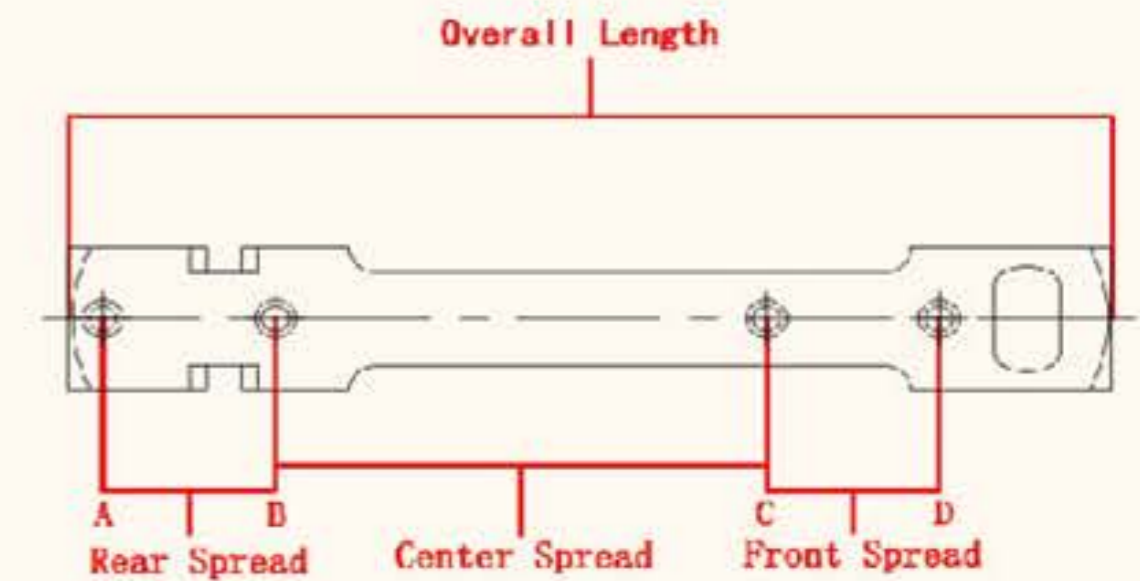
Windage Screws



Gun Screws  
#6-48 UNF



Model	Material	Overall Length (mm)	C to C Distance (mm)			Screws per Unit	Designed For	Finish
			AB	BC	CD			
SB-BRN001	Steel	137.16		80.95	12.70	3	Browning Bar (semi-auto) BPR,Mark II	Matte
SB-BRN002	Steel	130.50		98.17	21.84	3	Browning A-Bolt L/A	Matte
SB-BRN003	Steel	133.00	21.84	79.12	21.84	4	Browning A-Bolt S/A	Matte
SB-HSV001	Steel	139.70		108.60	21.84	3	Husqvarna husky,norrahammer	Matte
SB-MAR001	Steel	135.89		69.85	12.70	3	Marlin 36,36A,336,444 Sportor,1895,9,922	Matte
SB-MAR002	Steel	149.23		47.63	12.70	3	Marlin 1894	Matte
SB-MAU001	Steel	139.95		108.58	21.84	3	Mauser 98	Matte
SB-MAU002	Steel	139.83		108.58	21.84	3	Mauser swedish small ring 95	Matte
SB-MAU003	Steel	142.10		109.86	21.84	3	Mauser FN	Matte
SB-REM001	Steel	128.52	15.37	52.07	21.84	4	Remington 4 , 6 , 74 , 7400 , 7600	Matte
SB-REM002	Steel	128.52	15.37	41.91	21.84	4	Remington 740 , 742 , 760	Matte
SB-REM003	Steel	143.36		113.79	21.84	3	Remington 40X,78,721,725, Long actions weatherby Vanguard	Matte
SB-REM004	Steel	123.70		92.20	21.84	3	Remington 700SA,722,725	Matte
SB-REM005	Steel	131.83		75.95	21.84	3	Reming 788 L/A Cals: .222mag, .22-250, 30/30	Matte
SB-REM006	Steel	126.49		83.57	21.84	3	Reming 788 S/A Cal: .243,6mm, .308	Matte
SB-RUG001	Steel	116.00		65.30	12.75	3	Ruger 1022	Matte
SB-SAK001	Steel	132.08	21.84	62.16	21.84	4	Sako finnwolf, Winchester 88,100	Matte
SB-SAV001	Steel	147.95		117.58	21.84	3	Savage 110 series L/A	Matte
SB-SAV002	Steel	133.20		103.87	21.84	3	Savage 110 series S/A	Matte
SB-SPR001	Steel	141.27		104.14		2	Springfield 03A3, A4	Matte
SB-SPR002	Steel	135.23		104.14	21.84	3	Springfield 03	Matte
SB-TMS001	Steel	85.73	7.95	21.26	7.95	4	Thompson Certer Encore	Matte
SB-WIN001	Steel	138.37		107.32	21.84	3	Winchester 70 (only one rear hole)	Matte
SB-WIN002	Steel	138.37		104.47	21.84	3	Winchester 70S/A	Matte
SB-WIN003	Steel	128.07		96.52	21.84	3	Winchester 70	Matte
SB-WIN004	Steel	136.14		104.47	21.84	3	Winchester 70 S/A (1984+)	Matte
SB-WIN005	Steel	120.65		95.25		2	Winchester 94 angle eject	Matte
SB-WIN006	Steel	135.30		104.80	21.84	3	Winchester 70 PRE 64 (rear hole spc.435)	Matte



# Picatinny Blank Rail

Model	Material	Length	Height
MNT-Rail010	T6 Alum.	101.6mm	12.3mm
MNT-Rail015	T6 Alum.	152.4mm	12.3mm
MNT-Rail020	T6 Alum.	203.2mm	12.3mm
MNT-Rail025	T6 Alum.	254.0mm	12.3mm
MNT-Rail030	T6 Alum.	304.8mm	12.3mm
MNT-Rail035	T6 Alum.	355.6mm	12.3mm
MNT-Rail040	T6 Alum.	406.4mm	12.3mm

Model	Material	Length	Height	Finish	Remarks
S-Rail010	Steel	101.6mm	9.8mm	Matte	Blank rail, picatinny
S-Rail015	Steel	152.4mm	9.8mm	Matte	Blank rail, picatinny
S-Rail020	Steel	203.2mm	9.8mm	Matte	Blank rail, picatinny
S-Rail025	Steel	254.0mm	9.8mm	Matte	Blank rail, picatinny
S-Rail030	Steel	304.8mm	9.8mm	Matte	Blank rail, picatinny
S-Rail035	Steel	355.6mm	9.8mm	Matte	Blank rail, picatinny
S-Rail040	Steel	406.4mm	9.8mm	Matte	Blank rail, picatinny



# Saddle Mount



Model	Material	Overall Length (mm)	Designed For	Finish
MNT-MOSS500	T6 Alum	180.60mm	Mossberg 500,835 12GA	Matte
MNT-MOSS835	T6 Alum	180.00mm	Mossberg 835 12GA Blue	Matte
MNT-MOSS9200	T6 Alum	140.00mm	Mossberg 9200 12GA	Matte
MNT-REM1100	T6 Alum	186.00mm	Remington 1100,1187 12GA	Matte
MNT-REM1189	T6 Alum	155.00mm	Remington 870 1100 1189 20GA	Matte
MNT-REM870	T6 Alum	155.00mm	Remington 870,1100,1187 12GA	Matte
MNT-WIN1200	T6 Alum	189.05mm	Winchester 1200,12GA	Matte
MNT-WIN1200U	T6 Alum	189.05mm	Winchester 1200,1300,1400,1500 12GA	Matte
MNT-WIN1300	T6 Alum	172.00mm	Winchester 1300 12GA	Matte
MNT-WIN1400	T6 Alum	172.00mm	Winchester 1400,1500 12GA	Matte

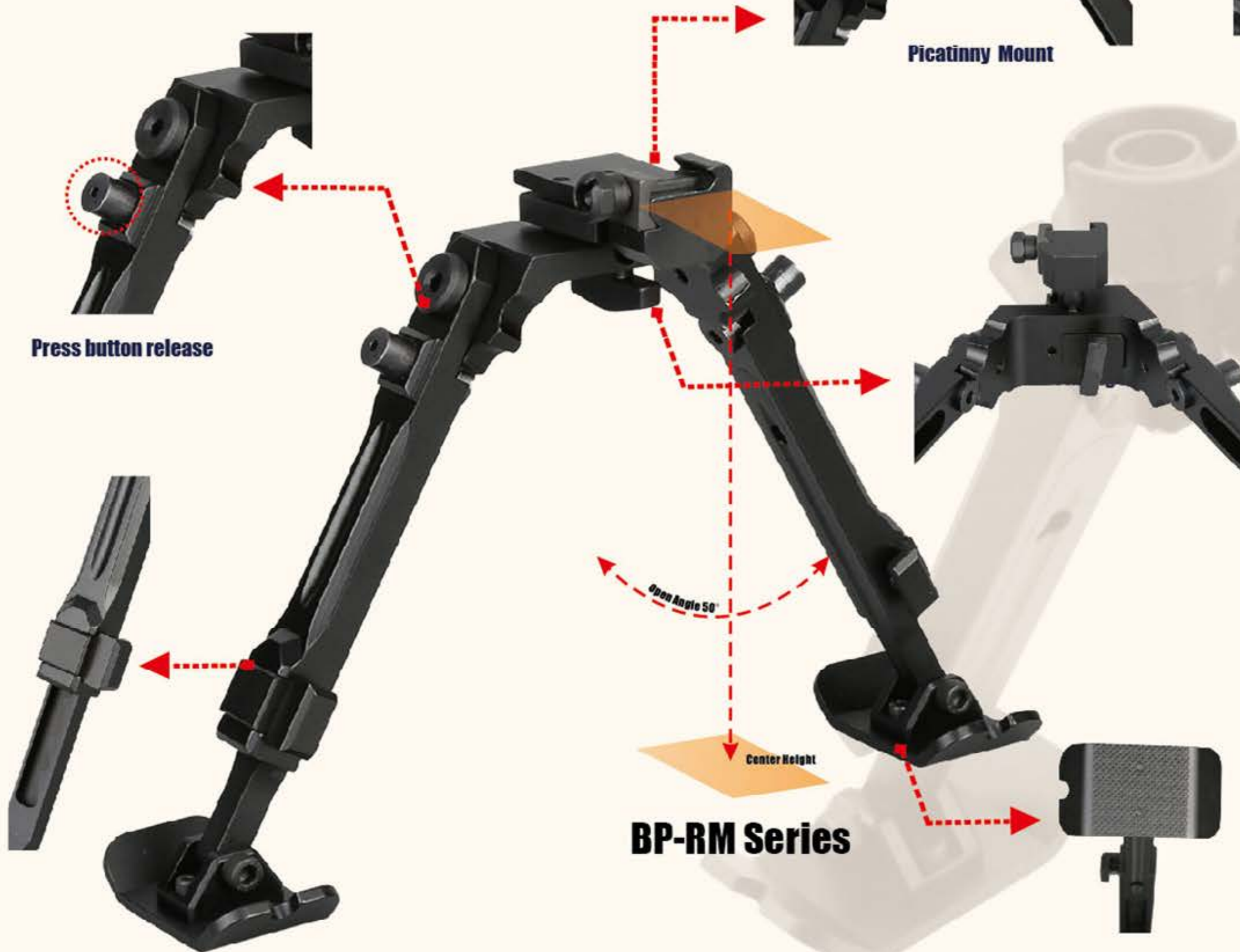




# Heavy Duty Tactical bipods



Press button release

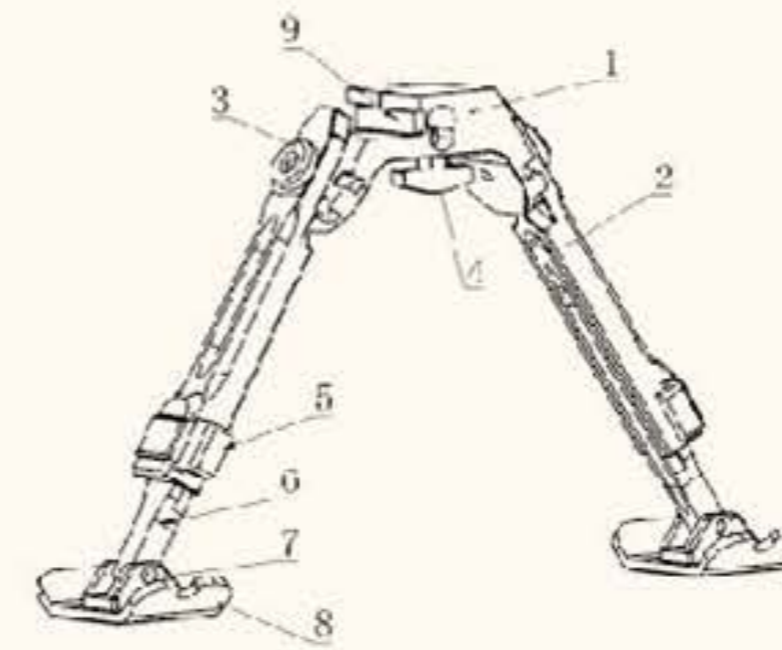


48 Bipods

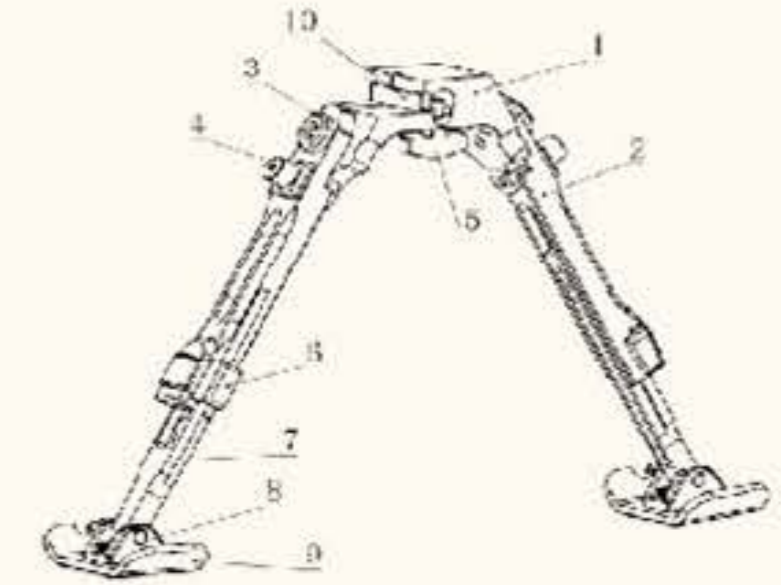
# Heavy Duty Tactical Bipods

- CNC Machined from Aircraft Grade T6 or T7 Alum. Alloy
- Bipod can be disassembled completely.
- Bipod legs can be folded backwards, downwards and forward (Bridge with 5 positions additional in 45 and 135 degrees).
- No special tools required. All screws can be tightened or loosened with a Hex-Wrench.

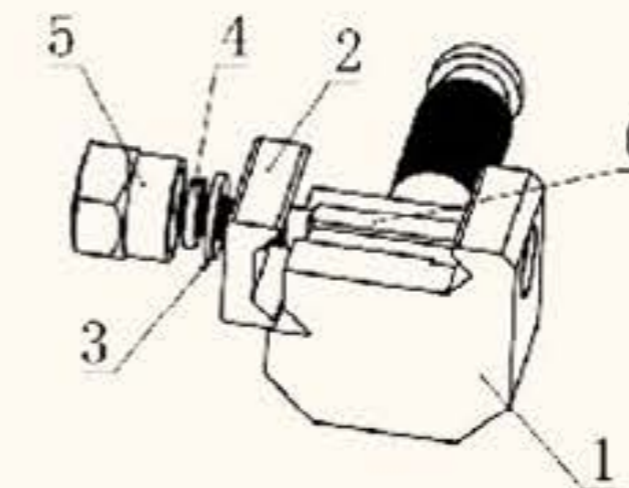
Item No.	Material	Leg Length (mm)		Center Height(mm)		Adjustable Positions
		Min	Max	Min	Max	
BP-R7	Alum. T7075	207mm	268mm	195.8	248	4
BP-MINI	T6 Alum.	140.5	184.5	129.23	167.33	4
BP-REXH	T6 Alum.	TBD	TBD	TBD	TBD	6
BP-RH	T6 Alum.	TBD	TBD	TBD	TBD	5
BP-RM	T6 Alum.	207mm	268mm	195.8	248	4
BP-RS	T6 Alum.	167.99	198.14	161.18	187.29	2



- 1) Bipod Body
- 2) Upper Leg ( Female )
- 3) Cross Bolt
- 4) Adapter Locking Lever
- 5) Push Button
- 6) Lower Leg ( Male )
- 7) Foot Plate Locking Screw Bolt
- 8) Foot Plate
- 9) Adapter Mount Release Lever

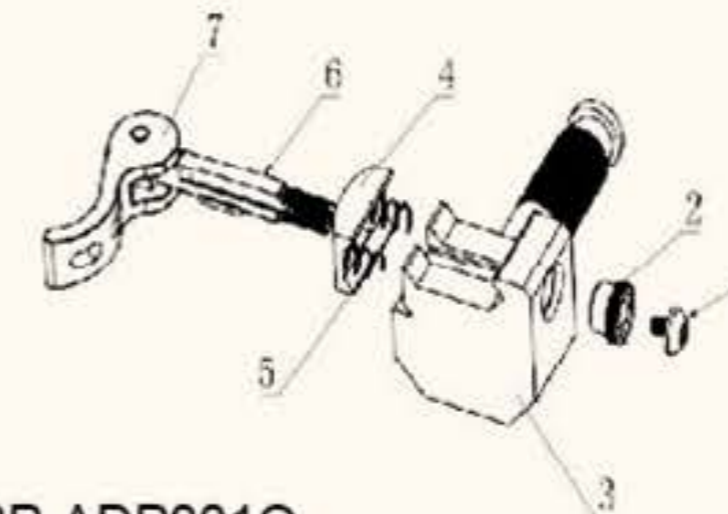


- 1) Bipod Body
- 2) Upper Leg ( Female )
- 3) Cross Bolt
- 4) Push Button
- 5) Adapter Locking Lever
- 6) Push Button
- 7) Lower Leg ( Male )
- 8) Foot Plate Locking Screw Bolt
- 9) Foot Plate
- 10) Adapter Mount Release Lever



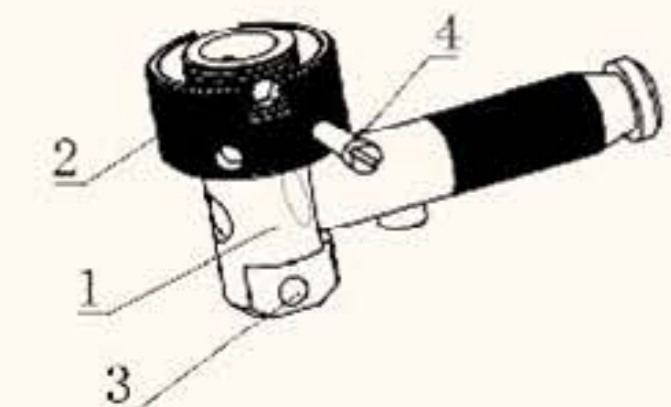
BP-ADP001  
Picatinny/Weaver, standard

- 1) Picatinny Deck
- 2) Rail Clamp
- 3) Flat Spacer
- 4) Spring Gasket
- 5) Locking Nut
- 6) Cross Bolt



BP-ADP001Q  
Picatinny/Weaver, Quick-Release

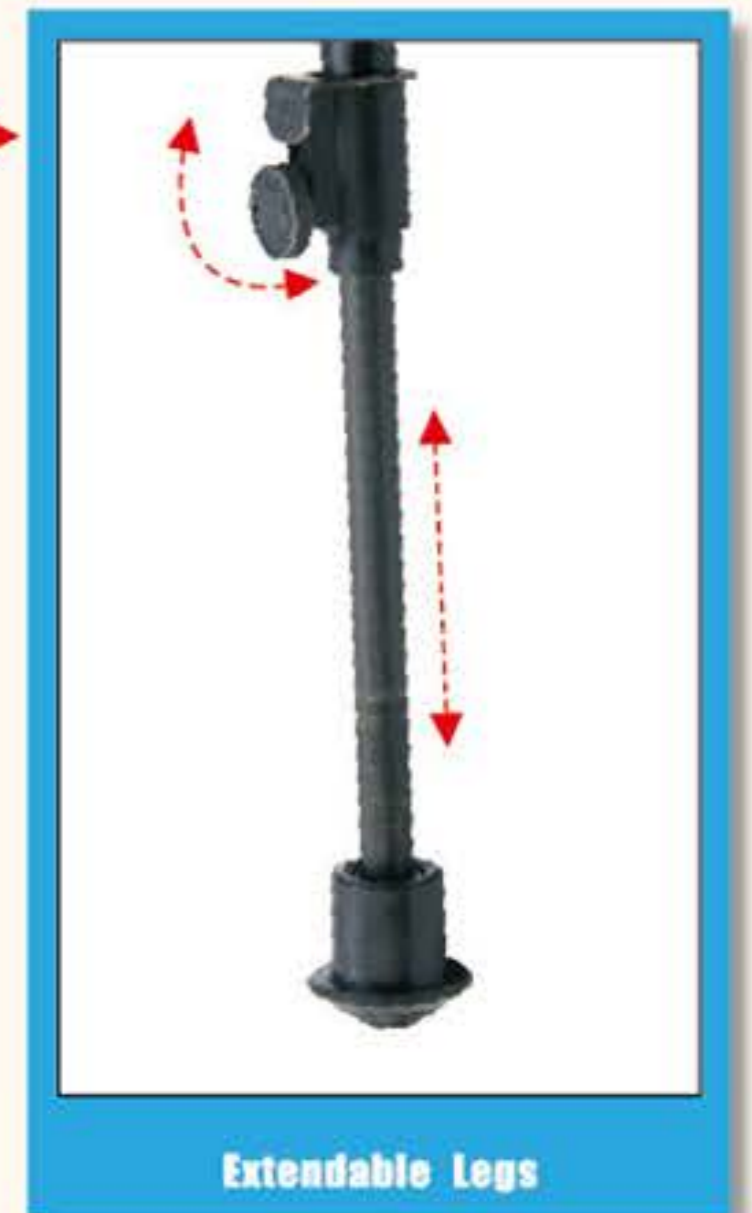
- 1) Locking Screw
- 2) Fine Adjustment Nut(+/-1mm)
- 3) Picatinny Deck
- 4) Rail Clamp
- 5) Springs
- 6) Cross Bolt
- 7) Quick Detach Lever



BP-ADP002  
Swivel Stud

- 1) Adapter Body
- 2) Locking Nut
- 3) Sling Swivel Hole
- 4) Locking Pin

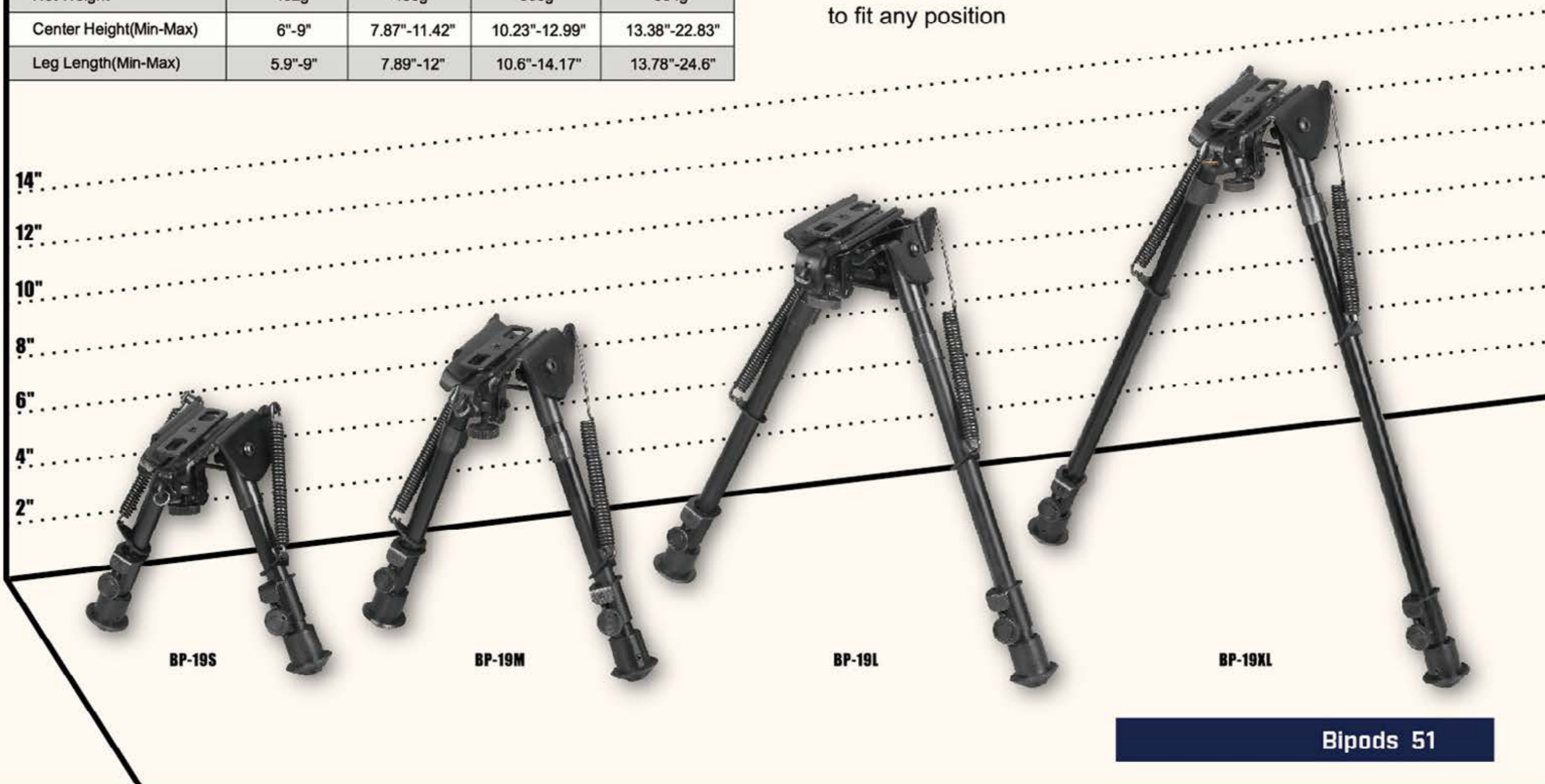
# BP-19 Series



Model	BP-19S	BP-19M	BP-19L	BP-19XL
Posi-lock	✓	✓	✓	✓
Swivel	X	X	X	X
Extendable Legs	✓	✓	✓	✓
Foldable Arms	✓	✓	✓	✓
Reversible Arms-Folding	✓	✓	✓	✓
Stand	Rubber	Rubber	Rubber	Rubber
Net Weight	452g	486g	508g	584g
Center Height(Min-Max)	6"-9"	7.87"-11.42"	10.23"-12.99"	13.38"-22.83"
Leg Length(Min-Max)	5.9"-9"	7.89"-12"	10.6"-14.17"	13.78"-24.6"

## Tactical bipods

- 1) Durable aluminum construction
- 2) Complete with three mounting systems-stud mount, weaver picatinny mount and barrel mount
- 3) Foldable arms with spring-return control
- 4) Extendable legs with individual adjustment function to fit any position



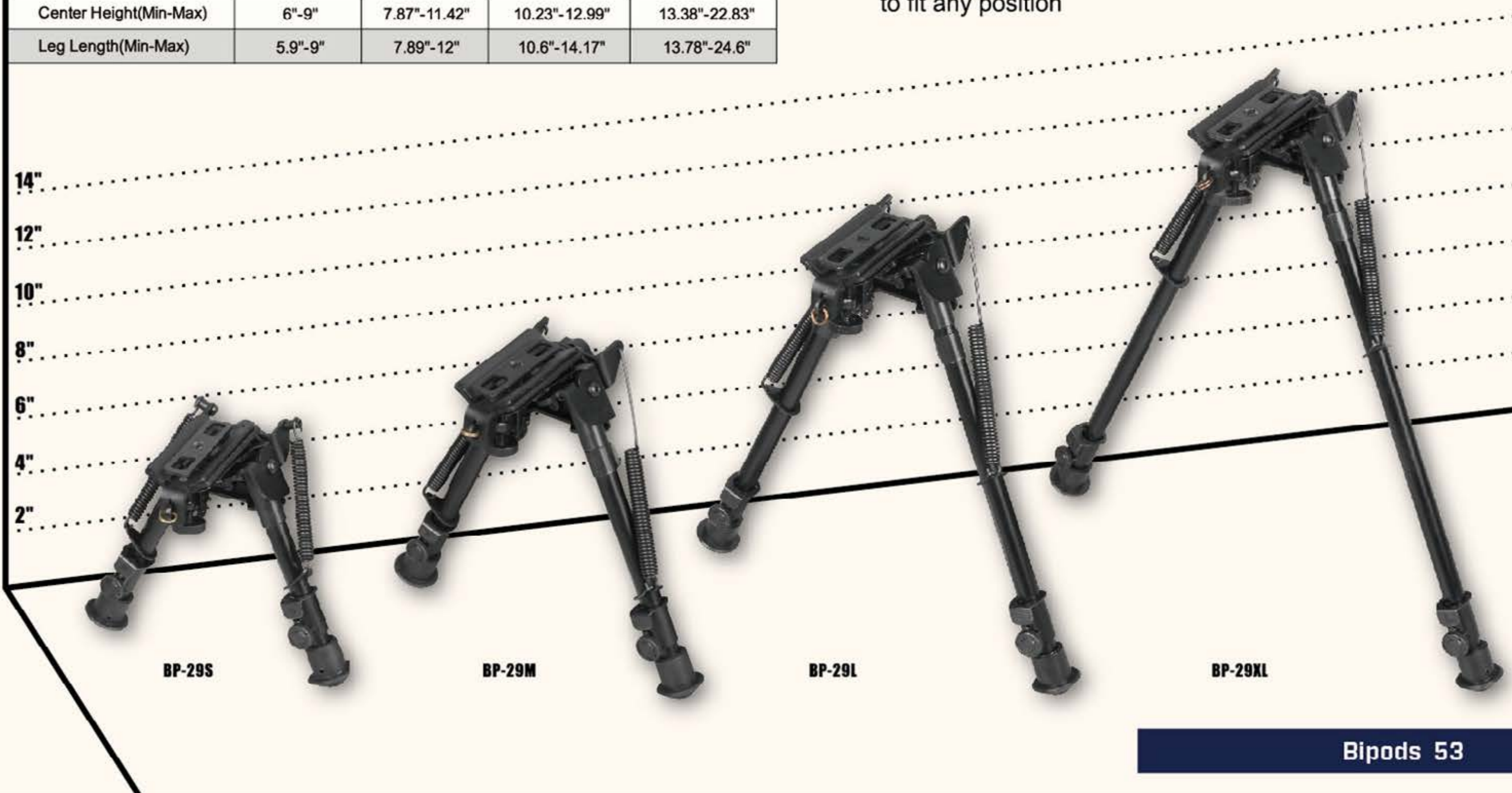
# BP-29 Series



Model	B-29S	BP-29M	BP-29L	BP-29XL
Posi-lock	✓	✓	✓	✓
Swivel	✓	✓	✓	✓
Extendable Legs	✓	✓	✓	✓
Foldable Arms	✓	✓	✓	✓
Reversible Arms-Folding	✓	✓	✓	✓
Stand	Rubber	Rubber	Rubber	Rubber
Net Weight	532g	574g	594g	670g
Center Height(Min-Max)	6"-9"	7.87"-11.42"	10.23"-12.99"	13.38"-22.83"
Leg Length(Min-Max)	5.9"-9"	7.89"-12"	10.6"-14.17"	13.78"-24.6"

## Tactical bipods

- 1) Durable aluminum construction
- 2) Complete with three mounting systems-stud mount, weaver picatinny mount and barrel mount
- 3) Foldable arms with spring-return control
- 4) Extendable legs with individual adjustment function to fit any position



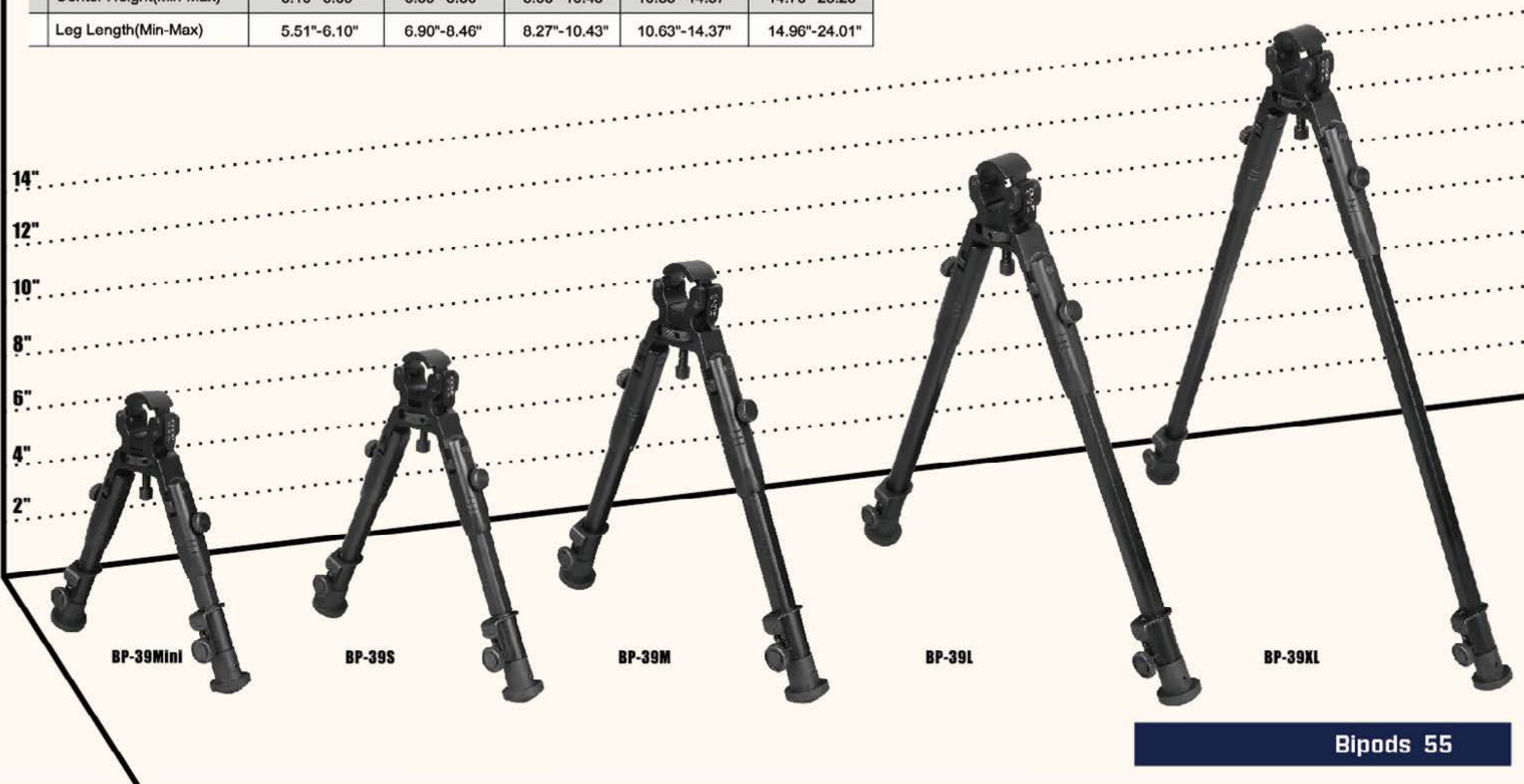
# BP-39 Series



Model	BP-39Mini	BP-39S	BP-39M	BP-39L	BP-39XL
Posi-lock	✓	✓	✓	✓	✓
Extendable Legs	✓	✓	✓	✓	✓
Foldable Arms	✓	✓	✓	✓	✓
Reversible Arms-Folding	✓	✓	✓	✓	✓
Stand	Rubber	Rubber	Rubber	Rubber	Rubber
Net Weight	261.05g	283.75g	328g	370g	452g
Center Height(Min-Max)	6.10"-6.69"	6.69"-8.30"	8.66"-10.43"	10.83"-14.37"	14.76"-23.23"
Leg Length(Min-Max)	5.51"-6.10"	6.90"-8.46"	8.27"-10.43"	10.63"-14.37"	14.96"-24.01"

## Barrel clamp bipods

- 1) Durable aluminum construction
- 2) Reinforced clamping adjustment wheel
- 3) Unique Posi-lock to prevent tipping
- 4) Adjustable legs and rubberized stand





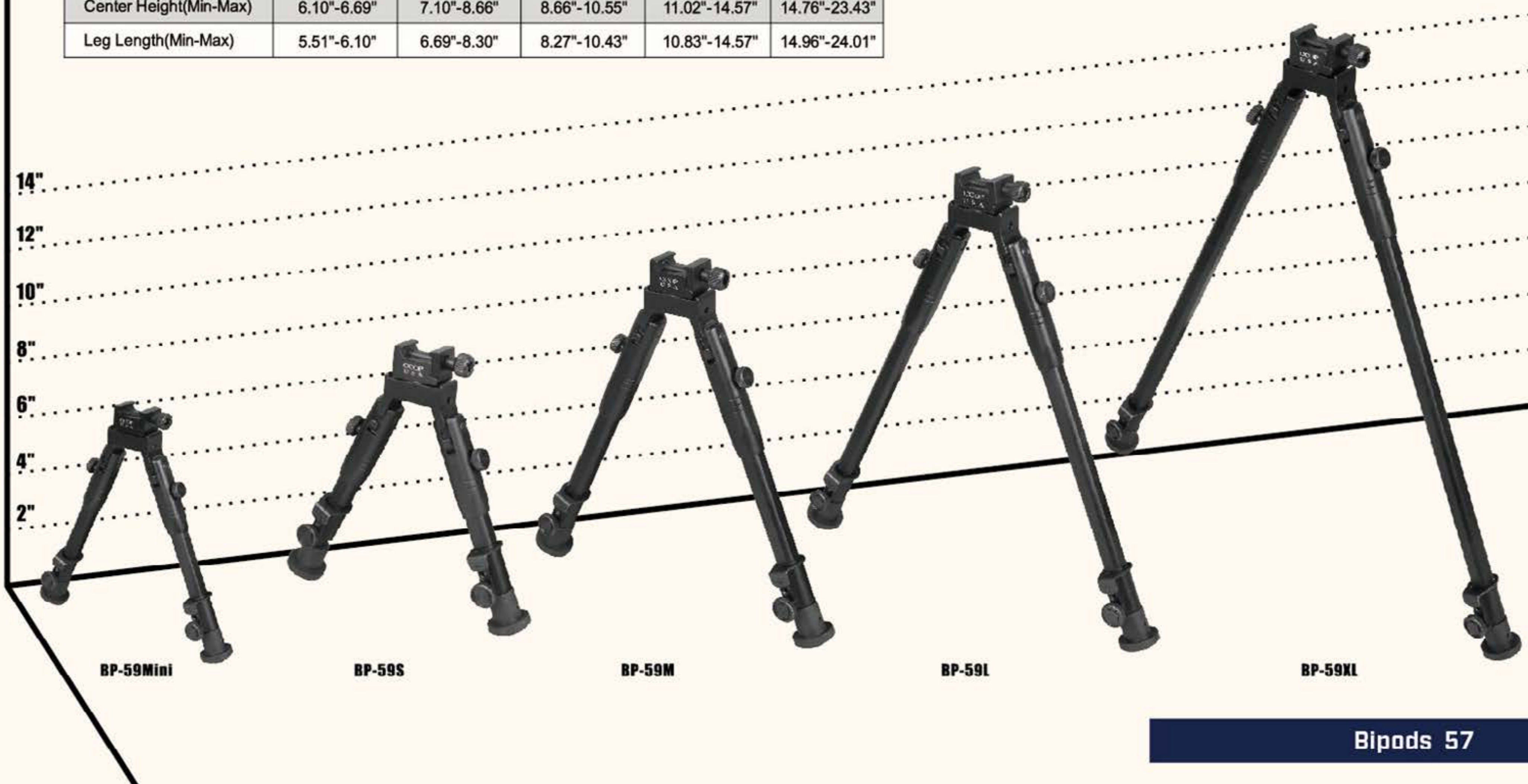
# BP-59 Series



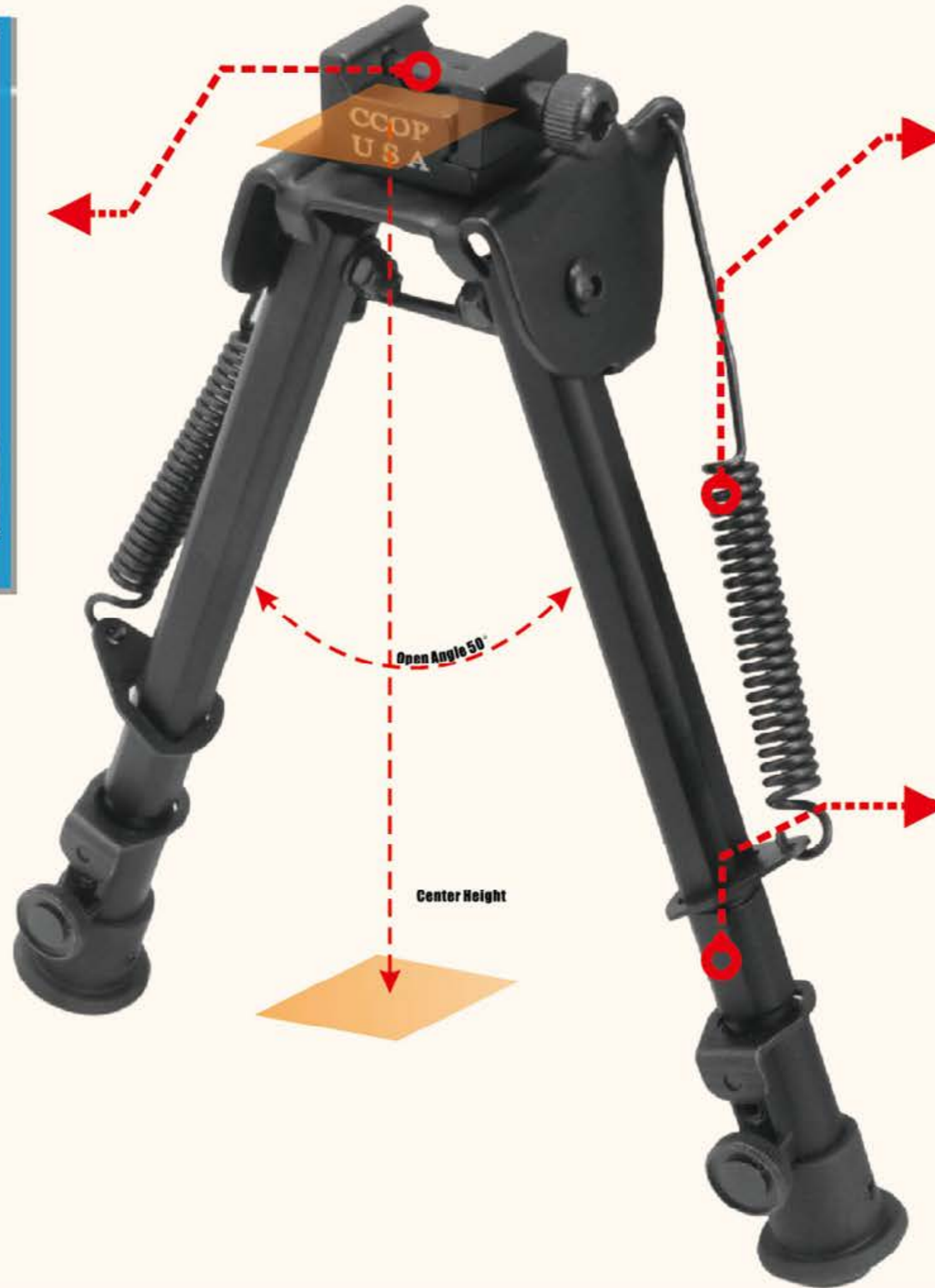
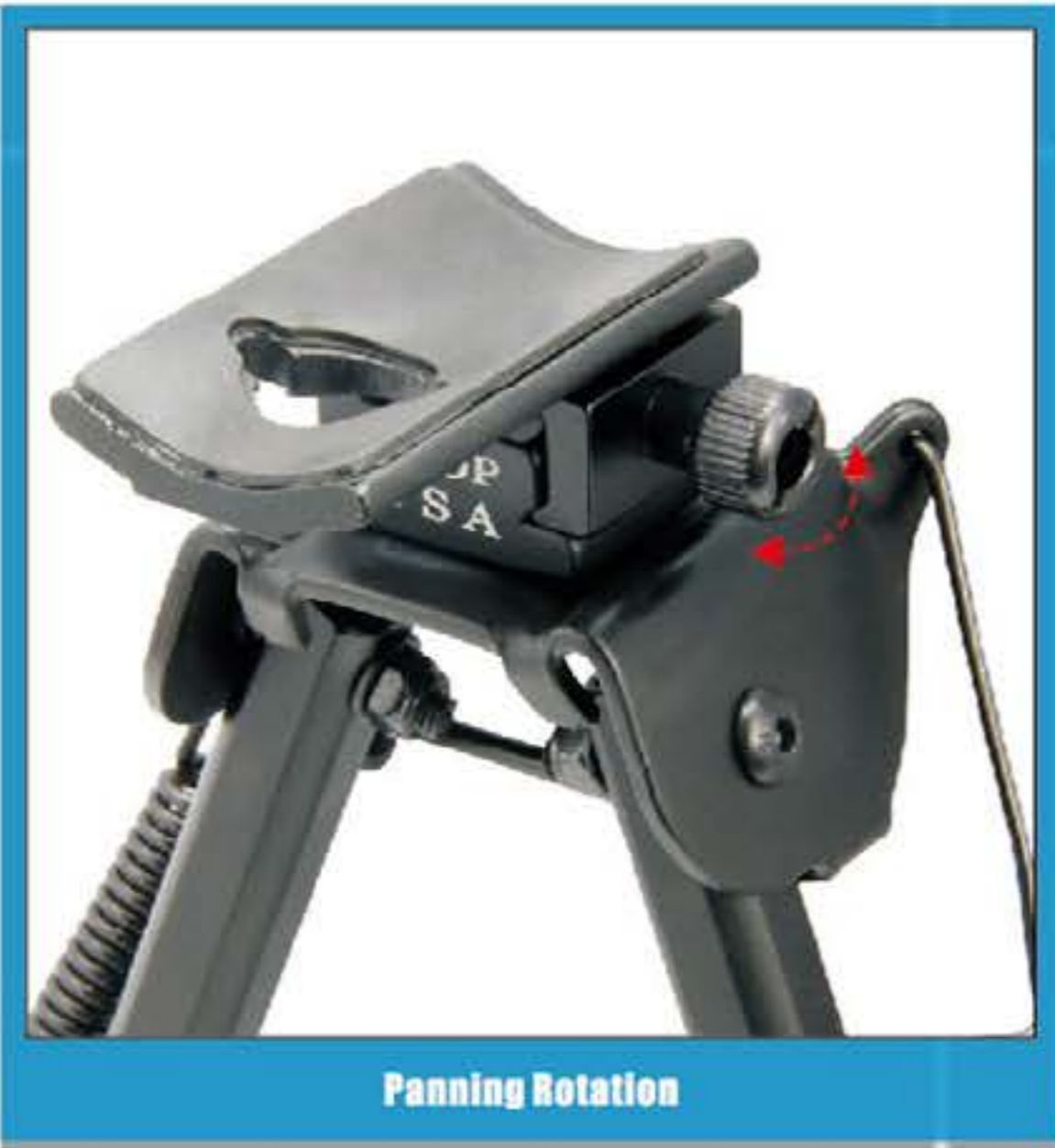
## Tactical bipods

- 1) Durable aluminum construction
- 2) Picatinny Rail Mount
- 3) Unique Posi-lock to prevent tipping
- 4) Adjustable legs and rubberized stand

Model	BP-59Mini	BP-59S	BP-59M	BP-59L	BP-59XL
Posi-lock	✓	✓	✓	✓	✓
Extendable Legs	✓	✓	✓	✓	✓
Foldable Arms	✓	✓	✓	✓	✓
Reversible Arms-Folding	✓	✓	✓	✓	✓
Stand	Rubber	Rubber	Rubber	Rubber	Rubber
Net Weight	248 g	272.4g	370g	411g	494g
Center Height(Min-Max)	6.10"-6.69"	7.10"-8.66"	8.66"-10.55"	11.02"-14.57"	14.76"-23.43"
Leg Length(Min-Max)	5.51"-6.10"	6.69"-8.30"	8.27"-10.43"	10.83"-14.57"	14.96"-24.01"



# BP-79 Series

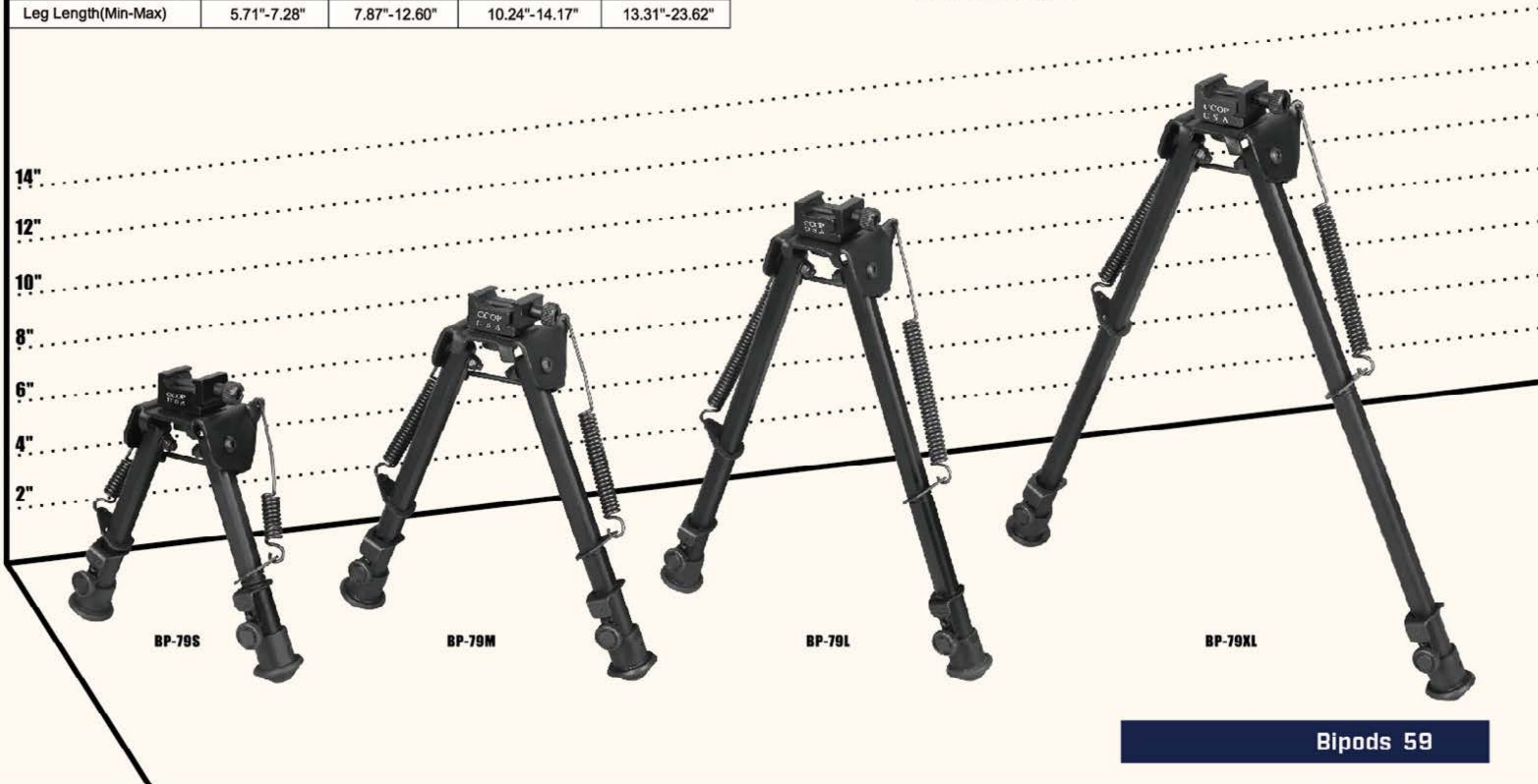


58 Bipods

Model	BP-79S	BP-79M	BP-79L	BP-79XL
Posi-lock	✓	✓	✓	✓
Extendable Legs	✓	✓	✓	✓
Foldable Arms	✓	✓	✓	✓
Reversible Arms-Folding	✓	✓	✓	✓
Stand	Rubber	Rubber	Rubber	Rubber
Net Weight	384g	455g	489g	566g
Center Height(Min-Max)	6.30"-7.68"	8.2"-12.80"	10.24"-13.98"	13.39"-22.83"
Leg Length(Min-Max)	5.71"-7.28"	7.87"-12.60"	10.24"-14.17"	13.31"-23.62"

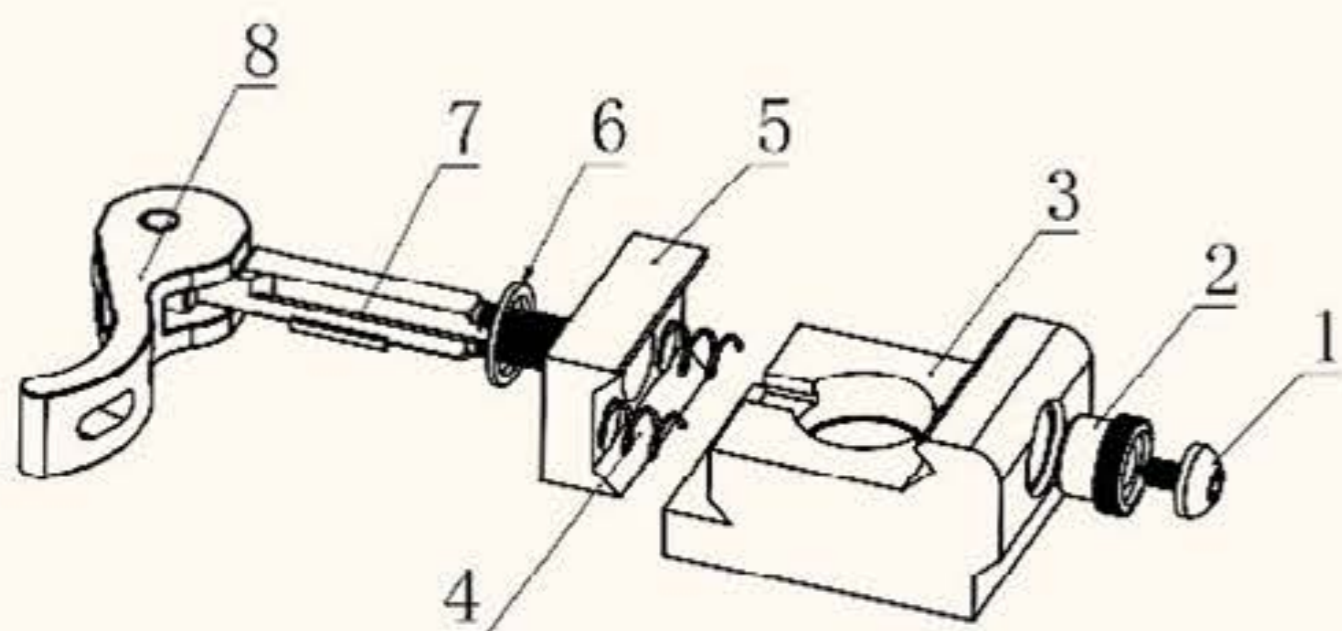
## Tactical bipods

- 1) Durable aluminum construction
- 2) Picatinny Rail Mount
- 3) Foldable Arms with spring tension control
- 4) Extendable legs with Posi-lock wheel & quick retraction button



# Quick Release Tactical Bipods

- 1) Durable aluminum construction
- 2) Picatinny Rail Mount
- 3) Quick Release Lever
- 4) Foldable Arms with spring tension control
- 5) Extendable legs with Posi-lock wheel & quick retraction button



- 1) Locking Screw
- 2) Adjustment Nut(+/-1mm)
- 3) Picatinny Deck
- 4) Springs
- 5) Rail Clamp
- 6) Metal Spacer
- 7) Cross Bolt
- 8) Quick Detach Lever



Model	BP-R59Mini	BP-R59S	BP-R59M	BP-R59L	BP-R59XL
Posi-Lock	Yes	Yes	Yes	Yes	Yes
Extendable Legs	Yes	Yes	Yes	Yes	Yes
Reversible Arms-Folding	Yes	Yes	Yes	Yes	Yes
Stand	Rubber	Rubber	Rubber	Rubber	Rubber
Net Weight	290	330	370	411	494
Center Height (Min-Max)	6.10"-6.69"	7.10"-8.66"	8.66"-10.55"	11.02"-14.57"	14.76"-23.43"
Leg Length ( Min-Max )	5.51"-6.10"	6.69"-8.30"	8.27"-10.43"	10.83"-14.57"	14.96"-24.01"

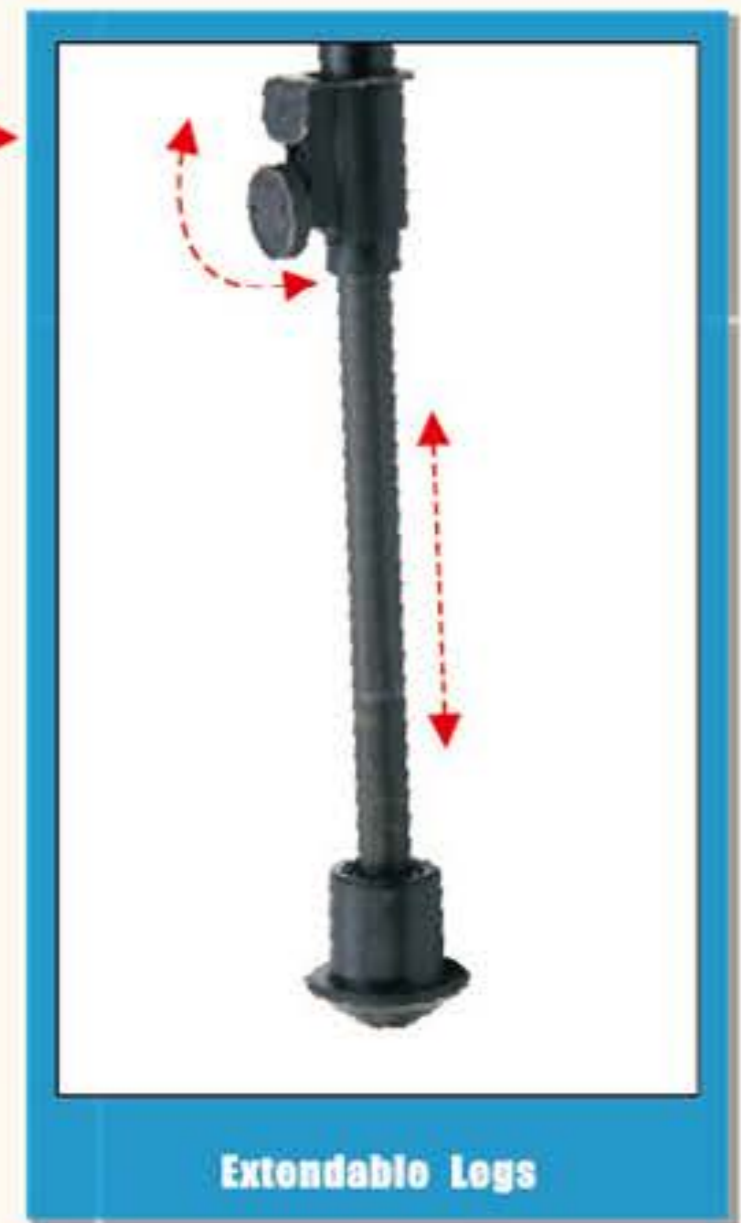
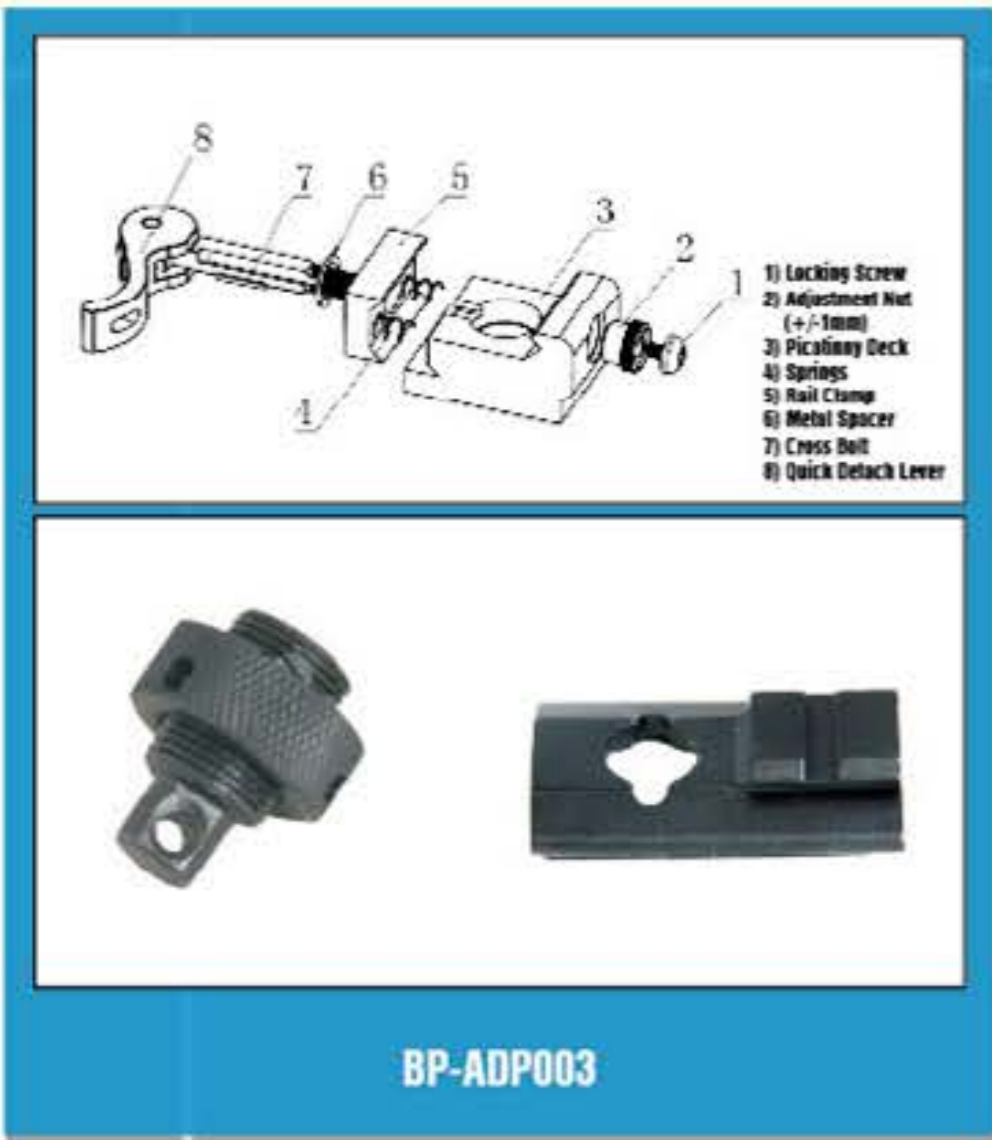
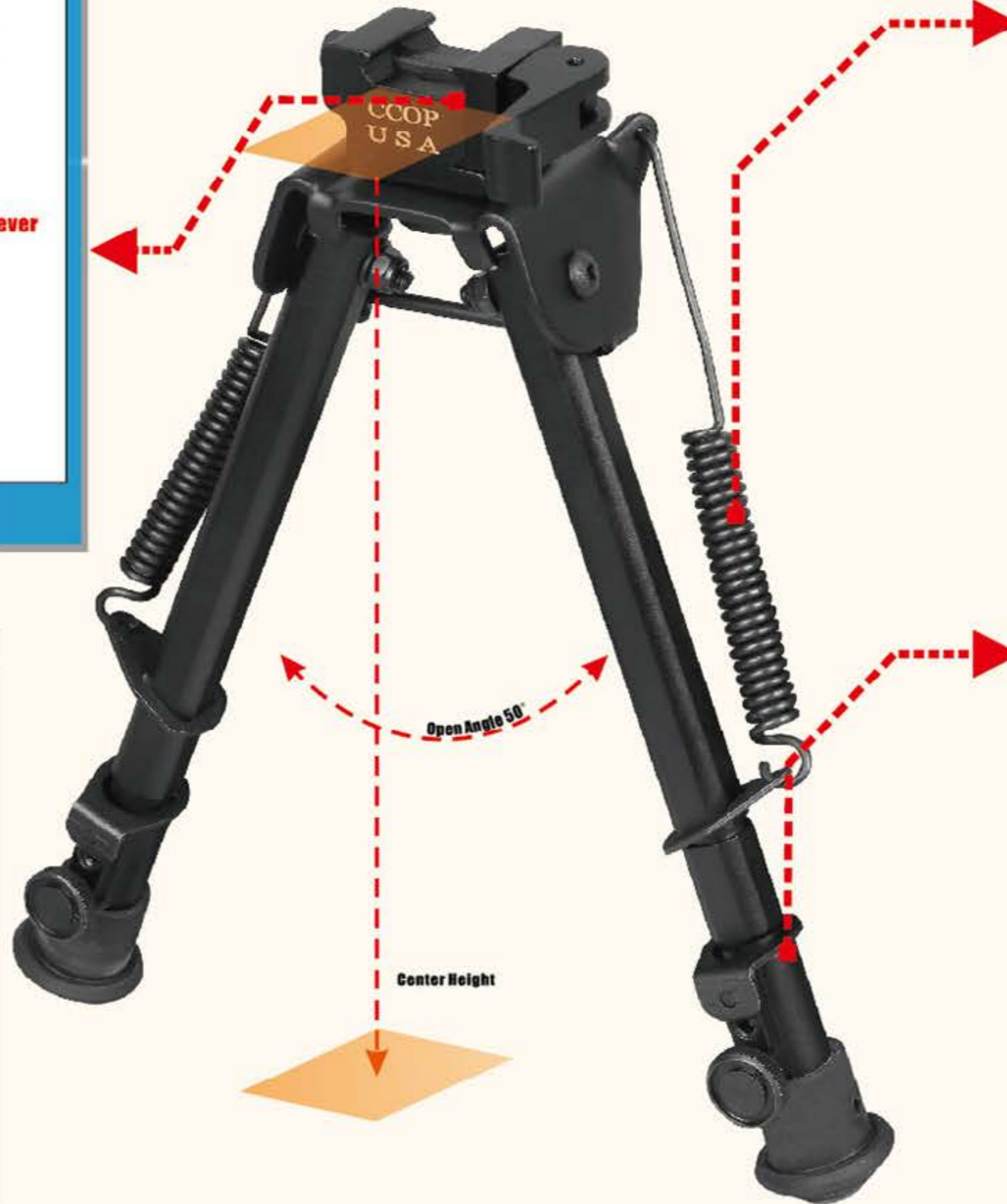
## Quick Release Tactical Bipods

- 1) Durable aluminum construction
- 2) Picatinny Rail Mount
- 3) Unique Posi-lock to prevent tipping
- 4) Adjustable legs and rubberized stand



# Quick Release Tactical Bipods

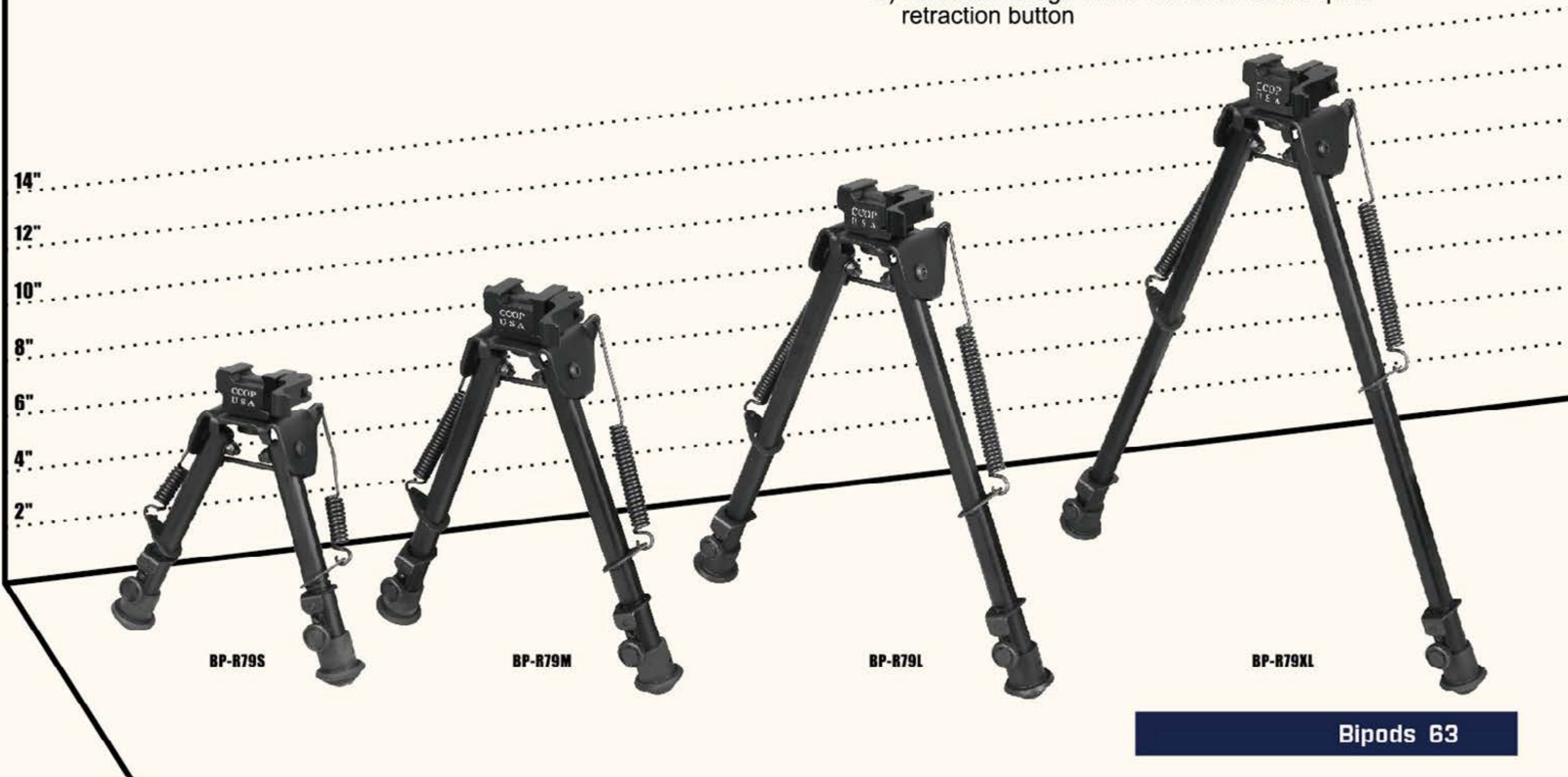
## BP-R79 Series



# Quick Release Tactical Bipods

- 1) Durable aluminum construction
- 2) Picatinny Rail Mount
- 3) Quick Release Lever
- 4) Foldable Arms with spring tension control
- 5) Extendable legs with Posi-lock wheel & quick retraction button

Model	BP-R79S	BP-R79M	BP-R79L	BP-R79XL
Posi-Lock	Yes	Yes	Yes	Yes
Extendable Legs	Yes	Yes	Yes	Yes
Reversible Arms-Folding	Yes	Yes	Yes	Yes
Stand	Rubber	Rubber	Rubber	Rubber
Net Weight	384	455	489	566
Center Height ( Min-Max )	6.3"-7.68"	8.27"-12.80"	10.24"-13.98"	13.39"-22.83"
Leg Length ( Min-Max )	5.71"-7.28"	7.87"-12.60"	10.24-14.17"	13.31"-23.62"





# BP-R Series



BP-R5 (9.5")

BP-R6 (13")

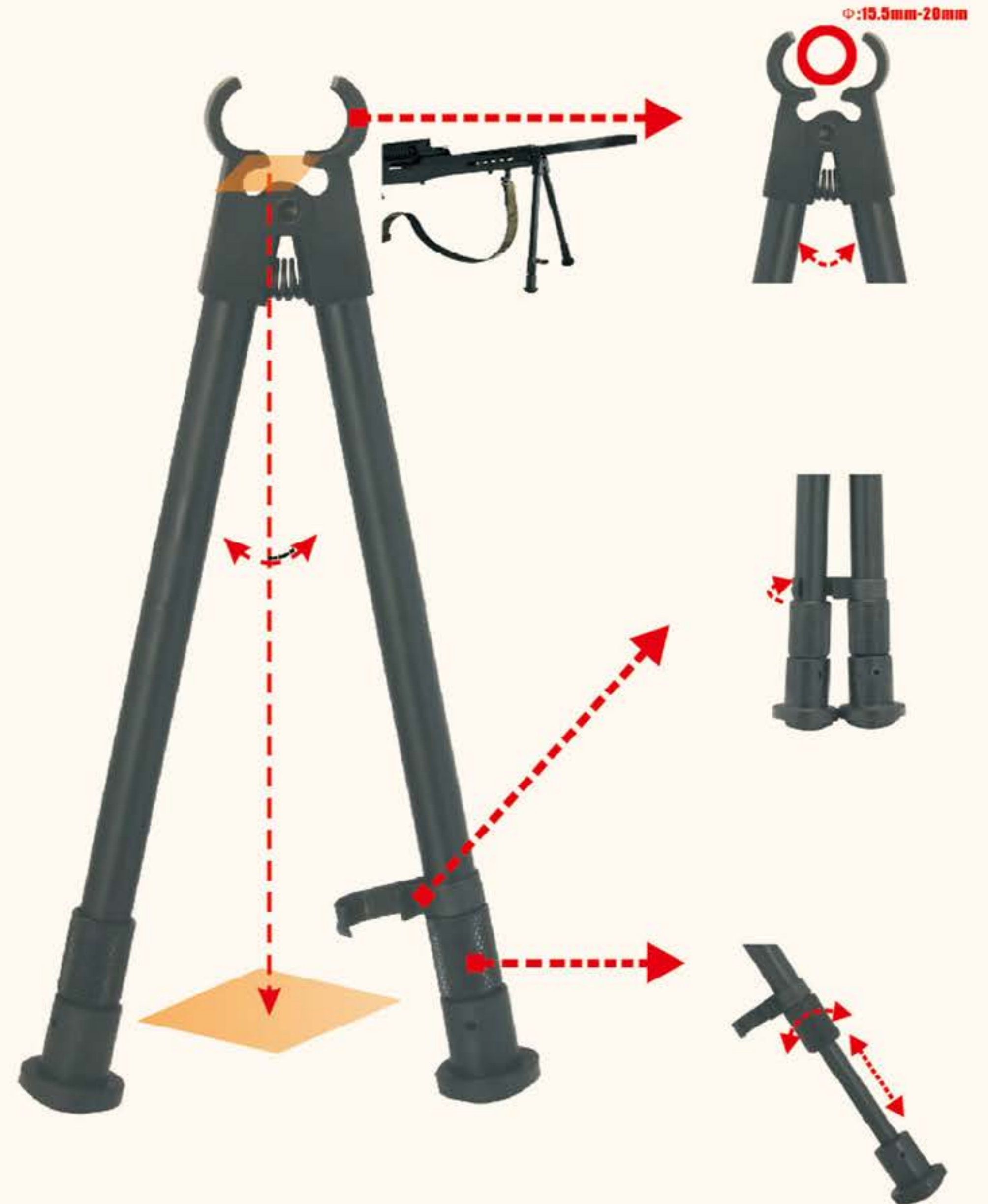
9915002 (9")

9915001 (12")

Plastic Bipods

Model	BP-R5	BP-R6	9915002	9915001
Posi-lock	X	X	X	X
Swivel	X	X	X	X
Extendable Legs	✓	✓	X	X
Foldable Arms	X	X	X	X
Reversible Arms-Folding	✓	✓	X	X
Stand	Rubber	Rubber	Nylon	Nylon
Net Weight	150g	178g	114g	142g
Center Height(Min-Max)	6.30"-8.07"	8.66"-11.81"	6.5"	9"
Leg Length(Min-Max)	6.69"-8.86"	9.25"-12.50"	8"	11"

64 Bipods



# MONUMENTS & ACCESSORIES



**MNT-SS03**

Size: 1.50"x0.51"x0.75"  
NW: 10g



**TL-M411**

Size: 1.97"x0.59"  
NW: 24g



**9997113**

Size: 1.77"x0"  
NW: 12g



**9997112**

Size: 1.34"x1.69"x0.35"  
NW: 12g

sling swivel set



**MNT-SS04**

Size: 1"x1.34"x0.35"  
NW: 14g

sling swivel set



**MNT-SS05**

Size: 1.25"x1.34"x0.35"  
NW: 16g

Detachable Push Button Sling Swivel



**QD-M01**

Size: 1.50"x1.18"x0.63"  
NW: 26g

Detachable Push Button Sling Swivel



**QD-F01**

Size: 2.0"x1.38"x0.63"  
NW: 30g

Picatinny mounts QD Swivel  
Fit any picatinny/weaver rail



**MNT-SS01**

Size: 1.64"x  
NW: 28g

Picatinny mounts QD Swivel  
Fit any picatinny/weaver rail



**MNT-SS02**

Size: 1.26"x0.67"x1.14"  
NW: 40g

FAL/STG multi-function tool  
Perfect for FN/FAL grip nut



**TL-FN11**

Size: 12"x3.94"x0.43"  
NW: 220g

AK sight tool  
An essential tool to make the windage  
and elevation adjustment to the front  
sight of SKS, AK



**TL-K4711**

Size: 2.48"x2.52"x0.  
NW: 120g

# MONUMENTS & ACCESSORIES



**MNT-1501**

Size: 7.44"x0.91"x1.26"  
NW: 110g



**MNT-1502**

Size: 5.20"x0.87"x1.18"  
NW: 64g



**MNT-1503**

Size: 5.35"x0.83"x1.30"  
NW: 78g

3/4" Riser Mount With QD  
Knobs F or Flattop Receiver



**MNT-1506**

Size: 5.67"x1.69"x1.46"  
NW: 170g



**MNT-1509**

Size: 6.14"x0.83"x0.55"  
NW: 48g

M14/AR15 carrying handle with picatinny rails  
Solid aluminum construction



**MNT-1510C**

Size: 6.93"x1.97"x1.89"  
NW: 264g



**MNT-1518**

Size: 2.01"x0.67"x0.67"  
NW: 42g

STEEL



**MNT-1519**

Size: 4.17"x1.42"x0.59"  
NW: 108g



**MNT-Mauk98**

Size: 5.28"x0.83"x0.75"  
NW: 58g



**MNT-303EFD4**

Size: 5"x0.83"x0.63"  
NW: 72g



**MNT-Sig550**

Size: 5.28"x0.83"x0.63"  
NW: 128g



**MNT-rail80-100-160**



5/8" Low Profile Extended Riser Mount With QD K nobs

**MNT-M401**

Size: 7.9"x1.5"x0.9"  
NW: 192g

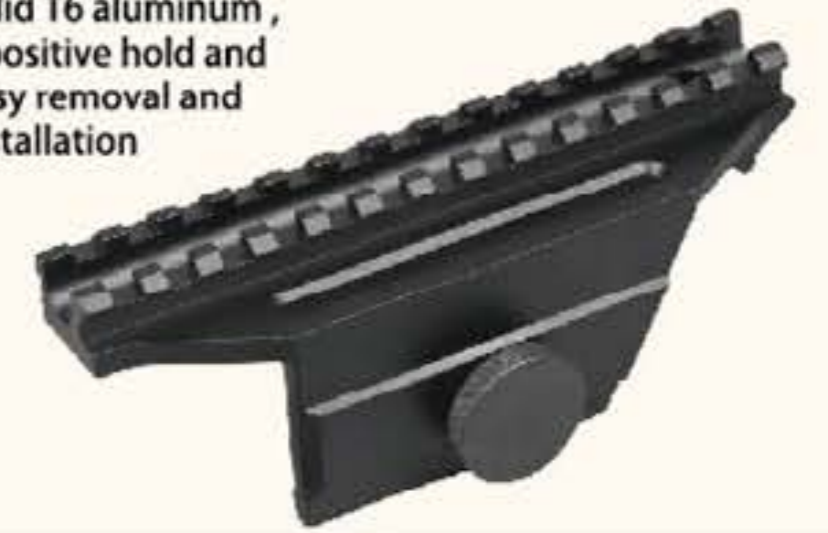


1/2" Extended Low Profile Rise Mount With QD K nobs

**MNT-M1402**

Size: 7.09"x1.69"x0.94"  
NW: 126g

Solid T6 aluminum,  
a positive hold and  
easy removal and  
installation



**MNT-M1401**

Size: 5.35"x1.89"x2.17"  
NW: 128g



**MNT-Mini1401**

Size: 5"x2.05"x2.36"  
NW: 146g



**MNT-K4712**

Size: 4.13"x0.98"x0.2"  
NW: 86g



**MNT-VZ58**

Size: 4.33"x0.95"x0.36"  
NW: 146g



**MNT-K4705**

Size: 7.1"x3.2"x2"  
NW: 422g



**MNT-K4706**

Size: 5.08"x2.09"x3.86"  
NW: 226g

**Quick Release**



**MNT-K4720**

Size: 5.79"x1.73"x3.58"  
NW: 210g

**Quick Release**



**MNT-K4721**

Size: 5.79"x1.73"x3.58"  
NW: 190g

● **13-Piece Punch Set with Hammer in plastic case** ▼



9921513

Include one gunsmith brass hammer  
 8 brass punches: 1/8", 9/64", 5/32", 3/16", 7/32", 1/4", 9/32" and 5/16"  
 2 steel punches: 1/16" and 3/32"  
 2 Plastic Punches: 15/64" & 3/8"

● **Gun Smithing Hammer** ▼



9921503

● **9-Piece Punch Set in plastic case** ▼



9921509

7 brass punches: 1/8", 1/16", 3/32", 5/32", 3/16", 7/32", 1/4"  
 2 steel punches: 9/32" and 5/16"



9996001



9921523

9921517

(φ0.25"X15")  
9993542A



(φ0.21"X15")  
9993542B



(φ0.25"X13")  
9993542C



(φ0.21"X13")  
9993542D



(φ0.22"X15")  
9993507



(φ0.25"X11")  
9993542G



(φ0.21"X11")  
9993542H



(φ0.25"X8.5")  
9993542E



(φ0.21"X8.5")  
9993542F



9993501

● **Trigger Lock** ▲



9993508

● **Cipher Lock** ▲



◀ **Cable Lock**

- This Cable gun locking system is designed to help you to keep your firearm stored in a safe condition.
- Universal design compatible with most long rifles and pistols
- Hardened steel alloy construction ensures maximum strength and security
- Easy installation

# CLEANING BRUSHES

*Sturdy & thorough durability*

## Phosphor Bronze Brush for rifle /pistol

Item no :U2632B (in US style)

E2632B ( in Euro style)

Caliber available: .22cal/.243cal/.270/  
.30cal/.32cal/.38cal/.357cal/.40cal/.45cal



## Tornado/Spiral steel brush for rifle /pistol

Item no : U2832S (in US style)

E2832S( in Euro style)

caliber available: .22cal/.243cal/.270/  
.30cal/.32cal/.38cal/.357cal/.40cal/.45cal



## Nylon bore brush for rifle /pistol

Item no : U2232N(in US style)

E2232N( in Euro style)

caliber available: .22cal/.243cal/.270/  
.30cal/.32cal/.38cal/.357cal/.40cal/.45cal



## Cotton mop for rifle /pistol

Item no: U2932C(in US style)

E2932C(in Euro style)

caliber available: .22cal/.243cal/.270/  
.30cal/.32cal/.38cal/.357cal/.40cal/.45cal



## Phosphor Bronze Brush for shotgun

Item no :U2616B (in US style) E2616B ( in Euro style)

Caliber available:410ga/28ga/20ga/16ga/12ga/10ga



## Spiral steel brush for shotgun

Item no : U2816S (in US style) E2816S( in Euro style)

Caliber available:410ga/28ga/20ga/16ga/12ga/10ga



## Nylon/Bristle bore brush for shotgun

Item no : U2216N(in US style) E2216N( in Euro style)

Caliber available:410ga/28ga/20ga/16ga/12ga/10ga



## Cotton mop for shotgun

Item no : U2916N(in US style) E2916N( in Euro style)

Caliber available:410ga/28ga/20ga/16ga/12ga/10ga



# CLEANING BRUSHES & RODS

Cleaning brushes with rings for rifles and pistol

Material optional : Phosphor bronze brush/brass brush/  
steel brush/bristle brush /cotton mop

Caliber available: .45cal/.40cal/.38cal/9mm/.357cal/8mm/.32cal/5.6mm/.22cal/4.5mm/.17cal



## Double-ended cleaning brush

Material optional: Phosphor bronze brush/brass brush/  
stainless steel brush/nylon brush

Item No	DESCRIPTION
2302760	Nylon 2 in 1 OD Green Utility Brush (Double-ended)
2322760	Stainless Steel 2 in 1 OD Green Utility Brush (Double-ended)
2332760	Phosphor Bronze 2 in 1 OD Green Utility Brush (Double-ended)
2342760	Brass 2 in 1 OD Green Utility Brush (Double-ended)



Item No	DESCRIPTION
2302761	Nylon Utility Brush
2322761	Stainless Steel Utility Brush
2332761	Phosphor Bronze Utility Brush
2342761	Brass Utility Brush



Handy cleaning tool for all types of guns or maintenance chores

## Solid Cleaning rods in 3-pieces set

Material optional: Steel /Brass/ Aluminum/  
Plastic covered steel rods

Size optional: 4mm/5mm/6mm/7mm



Item no:  
9301202(steel rod) 9301505(aluminum rod)  
9301606(brass rod) 9301303(plastic-covered steel rod)



Item no:  
9301212(steel rod) 9301515(aluminum rod)  
9301616(brass rod)



Item no:  
9302005(pistol aluminum rod)  
9302006(pistol brass rod)



# Cleaning Kit Set For Shotgun

Free combination of brush and rods at your choice

Cleaning kits for shotgun in plastic box

caliber available: 410ga/28ga/20ga/16ga/12ga

Brushes optional: cotton mop/nylon brush/phosphor bronze brush/steel spiral brush

3-piece set cleaning rods optional: Brass rod/aluminum rod/plastic-covered steel rods

Item no: S9307603 (with 3-piece plastic-covered rod)

S9307605 (with 3-piece aluminum rod)

S9307606 (with 3-piece brass rod)



# Cleaning Kit Set For Pistol & Rifle

Free combination of brushes and rods at your choice

Pocket kit with **Rotating Rods** for Pistol

Caliber available: .22cal/.30cal/.35cal/.40cal/.45cal etc

Brushes optional: cotton mop/nylon brush/

phosphor bronze brush/steel spiral brush

Brass rod/Aluminum rod (Size 5mm Length :90mm+100mm)

Item no: P9305115 (with aluminum rod)

P9305116 (with brass rod)



Pocket kit with **Rotating Steel Cable** for Rifle

Caliber available: .22cal/.30cal/.35cal/.38cal/.40cal/.45cal etc

Steel cable with T-rod (90cm steel cable)

Brushes optional: cotton mop/nylon brush/

phosphor bronze brush/steel spiral brush

Item no: R9306507



R9306516



**M16/AR-15 Butt-Stock Cleaning Kit**

This kit fits right into the back end of the stock. It contains a .223 cal. T-handle, .223 cal. rod sections, .223 adaptor, .223 patch loop, .223 bore brush & .223 chamber brush. Also, double-ended gun brush, 1/2 ounce oiler and water-proof triangle pouch are available.

R9306515



**M16/AR-15 Cleaning Kit**

This kit contains a .223 cal. T-handle, .223 cal. rod sections, .223 adaptor, .223 patch loop, .223 bore brush & .223 chamber brush. Also, double-ended gun brush, 1/2 ounce oiler, cotton patches, clip and tactical pouch are available.

R9306539



**AR-308 Cleaning Kit**

This kit contains a .30 cal. T-handle, .30 cal. rod sections, .30 patch loop, .30 bore brush & .30 chamber brush. Also, double-ended gun brush, 1/2 ounce oiler, cotton patches, clip and tactical pouch are available, special for 7.62mm caliber AR-308 only.

R9306548



**AK-47 Cleaning Kit**

This kit contains a .30 cal. T-handle, .30 cal. rod sections, .30 patch loop, .30 bore brush & .30 chamber brush. Also, double-ended gun brush, 1/2 ounce oiler, cotton patches, clip and tactical pouch are available, special for 7.62mm caliber AK-47 only.



This kits contains a .30 cal.T-handle, .30 cal. rod sections, .30 patch loop, .30 bore brush & .30 chamber brush. Also, double-ended gun brush,1/2 ounce oiler, cotton patches, clip and tactical pouch are available, special for 7.62mm caliber FN-FAL only.



# Universal Cleaning Kits

*Perfect for hunter and shooter*



Universal cleaning kits set in aluminum box

Details of this set: 1) A universal T-handle

2) 3pcs of 5mm brass rod & 3pcs of 4mm brass rod

3) 10pcs of phosphor bronze brush for 10/12ga,20/28ga,410ga, .45cal,.40cal,.38cal/9mm),.17cal,.30cal,270/280cal,.22cal

4) 5pcs of cotton mop for 10/12ga,20/28ga,410ga,.38cal,.22cal.

5) 3ps of brass accessory adaptor

6) cotton patches

Item no: U9309206 ( with brass rod)

U9309207( with aluminum rod)

9995012S (12GA) 9995016S (16GA) 9995020S (20GA) 9995028S (28GA) 9995041S (410GA)  
9995012G (12GA) 9995016G (16GA) 9995020G (20GA) 9995028G (28GA) 9995041G (410GA)



9995112S (12GA) 9995016S (16GA) 9995120S (20GA) 9995128S (28GA) 9995141S (410GA)  
9995112G (12GA) 9995016G (16GA) 9995120G (20GA) 9995128G (28GA) 9995141G (410GA)

● Re-useable Brass / Brass-chromed Snap Cap for Shotgun ▲

Patches / Cloth / Cleaning Pad ▼

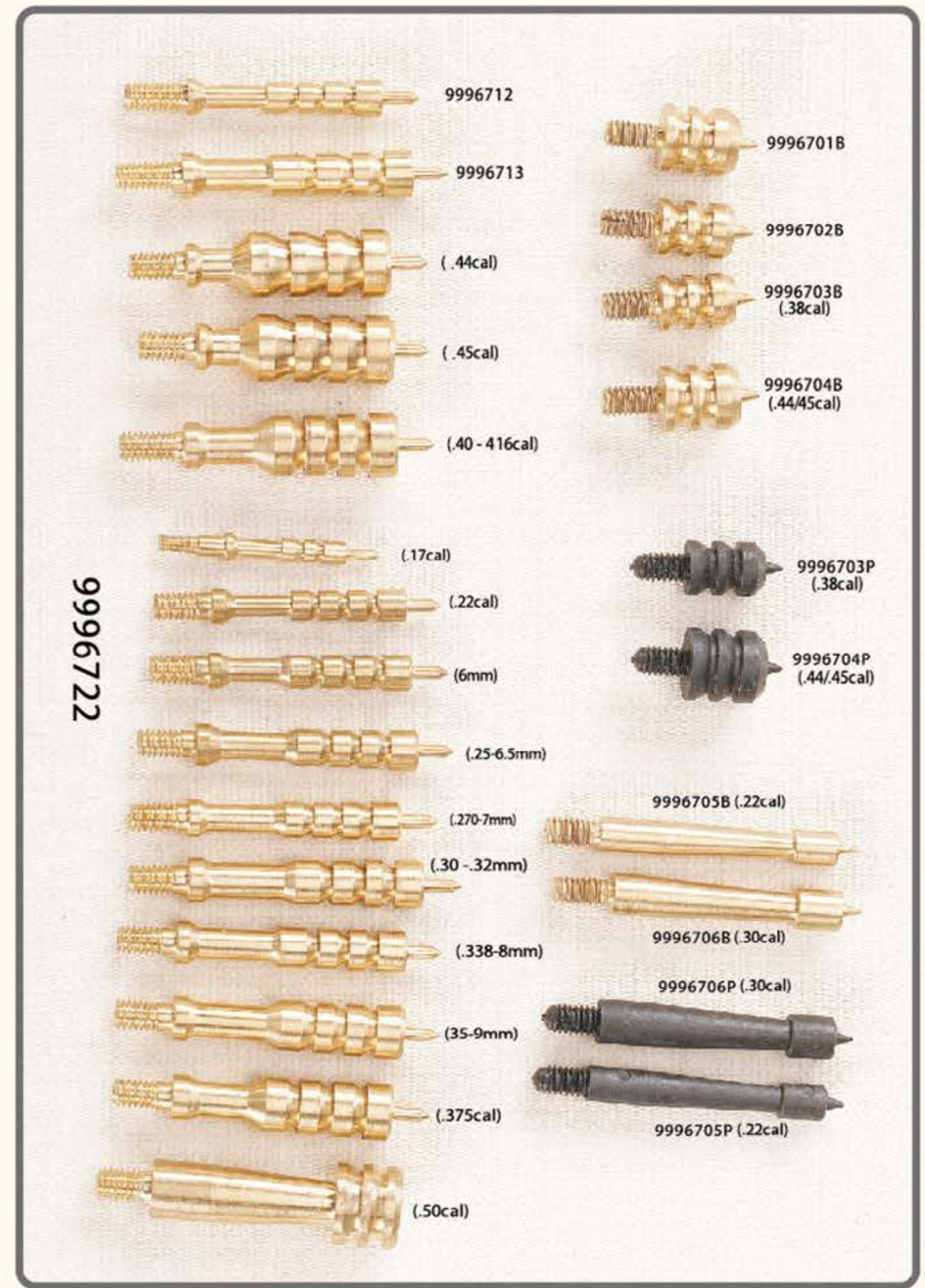




● Brass & Plastic Patch Loop for Pistol / Rifle / Shotgun ▲



● Brass & Aluminum Adaptor With Male & Female Thread ▲



● Brass & Plastic Jags for Pistol / Rifle / Shotgun ▲



C & C Outdoor Products, Corp. 1462 W. Holt Ave. Pomona, CA 91768  
Tel.: (909) 469 5901 Fax.: (909) 469 5887 WWW.CCOPUSA.COM

