

# TB6000Pro

Battery Tester & Battery Charger

**USER MANUAL**

---



**TOPDON**



# CONTENTS

	EN	DE	FR	ES	PT	IT
<b>Safety Is Always the First Priority!</b>	5	27	49	71	93	115
<b>Section 1 What's in the Box?</b>	7	29	51	73	95	117
<b>Section 2 Product Overviews &amp; Software Downloading</b>	7	29	51	73	95	117
<b>Section 3 How to Charge a Battery?</b>	10	32	54	76	98	120
<b>Section 4 How to Conduct a Battery Test?</b>	18	39	61	83	105	127
<b>Section 5 FAQ</b>	22	44	66	88	110	132
<b>Section 6 Warranty</b>	24	46	68	90	112	134

**ENGLISH**

# SAFETY IS ALWAYS THE FIRST PRIORITY!

## READ ALL INSTRUCTIONS BEFORE USING

---



For your safety, the safety of others, the product, and the vehicle you are working on, PLEASE, CAREFULLY READ AND MAKE SURE YOU FULLY UNDERSTAND ALL THE SAFETY INSTRUCTIONS AND MESSAGES ON THIS MANUAL. Given the TB6000Pro is a combination of battery tester and battery charger, YOU MUST READ THE VEHICLE'S SERVICE MANUAL, THE BATTERY MANUFACTURER'S SPECIFIC PRECAUTIONS FOR THE BATTERY and follow said precautions and instructions before and during any test or service procedure.



ONLY OPERATE THE TEST IN A WELL-VENTILATED AREA since the vehicle produces carbon monoxide, a toxic and poisonous gas, and particulate matter when the engine is running.



ALWAYS WEAR APPROVED SAFETY EYE PROTECTION to prevent damage from sharp objects and caustic liquids.



ALWAYS BE AWARE OF MOVING PARTS (such as coolant fans, pulleys, belts) since they spin or turn at high speeds when the engine is running.



DO NOT TOUCH HOT ENGINE PARTS to prevent severe burns. The engine parts become very hot when the engine is running.



**ALWAYS SHIFT THE GEAR TO P (FOR AUTOMATIC TRANSMISSION) OR TO NEUTRAL (FOR MANUAL TRANSMISSION) AND MAKE SURE THE PARKING BRAKE IS ENGAGED.**



**ALWAYS USE A DIGITAL MULTIMETER WITH AT LEAST 10 MEGOHMS OF IMPEDANCE when conducting electrical tests on vehicles to prevent causing damage to on-board electronic components.**



**NO SMOKING ANYWHERE NEAR THE VEHICLE when testing. The fuel and battery vapors are highly flammable.**



**DO NOT CUT THE PRODUCTS CORDS OR SUBMERGE THEM IN WATER. The product is an electrical device that can cause shock and severe burns.**



**WARNING: Battery acid is extremely corrosive. If acid gets into your eyes, FLUSH THEM THOROUGHLY WITH COLD RUNNING WATER FOR AT LEAST 20 MINUTES AND SEEK MEDICAL ATTENTION IMMEDIATELY. If battery acid gets on your skin or clothing, WASH IT IMMEDIATELY WITH A SOLUTION OF WATER AND BAKING SODA.**

# **SECTION 1**

## **WHAT'S IN THE BOX?**

**TB6000Pro**

---

**User Manual**

---

# **SECTION 2**

## **PRODUCT OVERVIEWS & SOFTWARE DOWNLOADING**

### **Product Overviews**

---

1. 6 Battery Charging Modes: Under the standalone mode, TB6000Pro provides with you 6 different modes 12V/6A Norm, 12V/1A Repair, 12V/6A Supply, 12V/3A Small, 12V/6A Lithium-ion battery, 6V/3A Norm. (See figure 2.1.1) Once the charger is connected to the phone via BT, you can customize the charging process and parameters. (For details, please refer to Section 3)

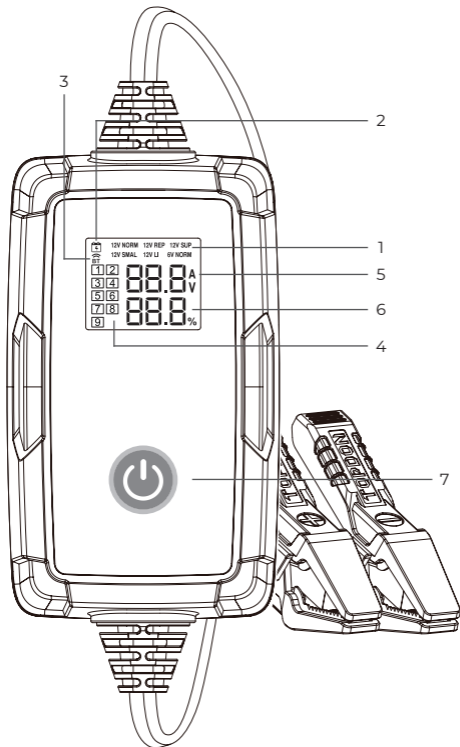


Figure 2.11



2. Charging Status Indicator: Once the adapter is plugged into the socket and you've confirmed the charging mode, the indicator will light up and remain still, otherwise it remains off.

- *Please unplug the adapter before conducting the battery tests and make sure the clamps are properly connected to the battery terminals.*

3. Bluetooth Connection Status Indicator: If the TB6000Pro is under standalone mode and not paired to any phones, the Bluetooth indicator will keep flashing. Once it is paired, the indicator remains still.

4. Charging Steps Indicator: It shows you exactly which step you are in among the 9 charging steps.

5. Real-time Charging Voltage and Current: It presents you with the real-time charging current and voltage. The parameter refreshes every 2 seconds.

When the following errors occur, it will display the corresponding error code:

Er1: Short circuit or reverse polarity

Er2: Overtemperature

Er3: Charging timeout

Er4: Battery is damaged, please switch to 12V Supply mode to attempt to recover the battery.

Er5: Wrong mode, please select 12V charging mode.

6. Current Remaining Power

7. Mode Switch Button: Under the standalone mode, you can press the button to switch the charging modes.

The pre-selected mode will keep flashing. **Press twice in a row** to start charging.

## How to Download and Connect the TB6000Pro to Your Phone?

---

- Please turn on the Bluetooth before setting up the connection.
  - YOU CAN ONLY SET UP THE BLUETOOTH IN THE TB6000Pro APP
1. For the iPhone, please go to the **AppStore** and search **TB6000Pro**.
  2. For the Android, please go to the **GooglePlay** and search **TB6000Pro**.
  3. To connect your phone with TB6000Pro via Bluetooth requires you to turn it on in Settings.
  4. Or you can turn on the Bluetooth in Control Center or Notification Panel.
  5. Open the TB6000Pro APP and tap the Bluetooth icon to establish connection with the unit.

## SECTION 3 HOW TO CHARGE A BATTERY?

To understand the 6 charging modes please refer to the chart below (Figure 3.1.1)

Mode	Max. Voltage	Definition
12V/6A Norm	14.2V	Charge 12V Wet, Gel, MF, Cal, EFB, and AGM batteries through 9-step smart charging.
6V/3A Norm	7.1V	Charge 6V Wet, Gel, MF, Cal, EFB, and AGM batteries through 9-step smart charging.
12V/3A Small	14.2V	Charge 12V Wet, Gel, MF, Cal, EFB, and AGM batteries with a small capacity of up to 50Ah through 9-step smart charging.
12V/6A Lithium-ion Battery	14.6V	Charge 12V li-ion batteries, including lithium iron phosphate (LiFePO4).
12V/1A Repair	14.2V	Repair old or sulfated batteries through small current and pulse current.
12V/6A Supply	13.5V	Provide an output supply of a constant voltage of 13.5V and a maximum current of 6A(81W). If the battery is damaged or Er4 error is reported, you can select this mode to recover battery charging.

Figure 3.1.1

To understand the 9-Step Smart Charging please refer to the figure 3.1.2

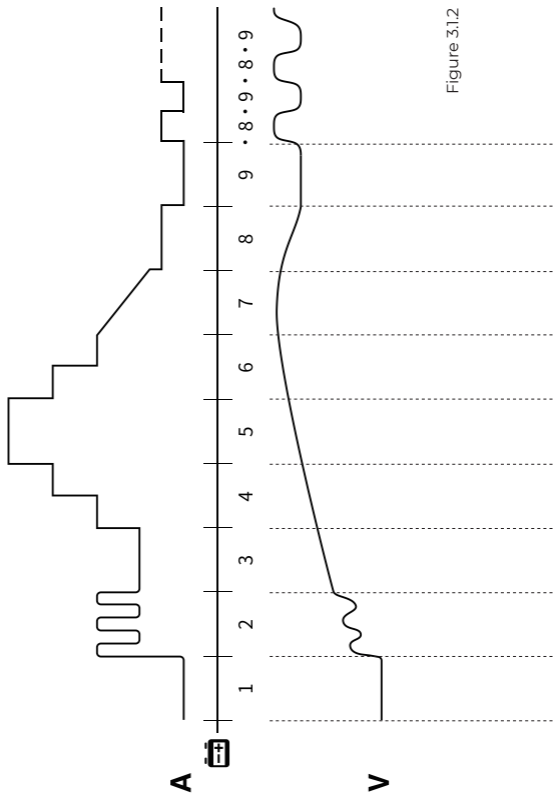


Figure 3.1.2

<b>12V/6A NORM</b>	>2A OK	2-10.2V 1.5-3A	10.2-11.8V 1.5A	11.8V 1.5-4.5A	11.8-13.5V 6A	13.5-14.0V 4.5-3A	14.0V 3-1.5A	14.0-14.2V 0.8A	14.2-12.8V 0A	14.2-12.8V.. 0A-0.8A...	
<b>12V/3A SMALL</b>	>2A OK	2-10.2V 0.8-1.5A	10.2-11.8V 0.8A	11.8V 0.8-2.3A	11.8-13.5V 3A	13.5-14.0V 2.3-1.5A	14.0V 1.5-0.8A	14.0-14.2V 0.4A	14.2-12.8V 0A	14.2-12.8V.. 0A-0.4A...	
<b>6V/3A NORM</b>	>2A OK	2-5.1V 0.8-1.5A	5.1-5.9V 0.8A	5.9V 0.8-2.3A	5.9-6.8V 3A	6.8-7.0V 2.3-1.5A	7.0V 1.5-0.8A	7.0-7.1V 0.4A	7.1-6.4V 0A	7.1-6.4V.. 0A-0.4A...	
<b>12V/1A REPAIR</b>	>2A OK	2-14.2V 1A									14.2V 0-1A 2h Max
<b>12V/6A LITHIUM</b>	>2A OK	-	2-10.6V 1.5A	10.6V 1.5-4.5A	10.6-13.9V 6A	13.9-14.6V 4.5-3A	14.6V 0.75A-0A	-			
<b>12V/6A SUPPLY</b>	13.5V 6A MAX										

1. Check the battery's initial state, voltage, state of charging and state of health to ensure the stability of the battery before charging.
2. Charge the battery with pulse current to breakdown the sulfates that have built up over time in the aging battery to extend life.
3. Charge the battery with low current to prepare for the high-current charging.
4. Charge the battery with three stages of constant current that gradually rise to optimize charging.
5. Charge the battery with preset current until it reaches 80%.
6. Trickle charge the battery until it reaches 90%.
7. Remain the voltage at preset value until the charging current drops to 12.5% of the maximum value and keep charging the power to 95%.
8. Charge at 12.5% of the preset maximum current until the battery is charged to 100%.
9. Check if the voltage is lower than preset value. If it is turn back to step 8.

### **Standalone Charging Mode**

---

1. When TB6000Pro is connected to the power supply, the charging modes will keep flashing. Press the Mode Switch Button to toggle between the modes.
2. Once you've selected the mode, press twice quickly to confirm the charging mode.
3. After the confirmation, it will automatically start the charging process from step one.

## Bluetooth Charging Mode

---

1. Once you've confirmed the preparation steps are done, plug the adapter into a wall outlet and attach the clamps to the battery terminals.
2. Open the TB6000Pro, tap the Smart Charging/Quick Charging.

### Smart Charging:

Under this mode, battery test is automatically performed before and after charging. Simply enter basic battery information and select the desired charging mode, then tap Start charging. A charging report will be automatically generated during the process.

### **Note:**

1. Smart Charging is only applicable for 12V lead-acid batteries (Li-ion or 6V batteries are not supported).
2. To ensure accuracy of test results, only use the battery clamps to connect to the battery terminals under Smart Charging mode.

### Quick Charging:

Under this mode, 6 charging modes are available, as well as DIY Mode. You can choose the preset charging mode to charge directly, or customize the charging mode according to the condition of the battery. (See figure 3.3.1)



Figure 3.3.1



3. Tap add mode, you will see the following screen. Here you can choose the battery type, reserve charging time, and adjust the maximum charging voltage and current. (See figure 3.3.2)
4. If the DIY Mode couldn't meet your needs, you can select the Expert Mode. In which, you can customize the charging mode even further. Meet your charging requirements by setting the voltage, current, duration and number of cycles for each charging step. (See figure 3.3.3)

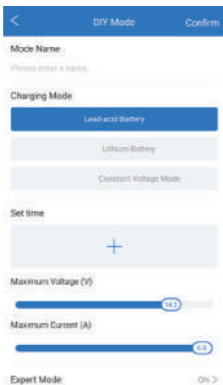


Figure 3.3.2

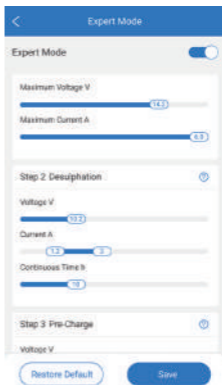


Figure 3.3.3

## SECTION 4

# HOW TO CONDUCT A BATTERY TEST?

- The battery testing function is only applicable for 6V & 12V lead-acid batteries.
- Only use the battery clamps to connect to the battery terminals when conducting a battery test.

1. Tap Test Management, then tap Battery Test.

2. Select the corresponding battery type (See figure 4.1.1). The specific battery type is usually listed on the battery label.

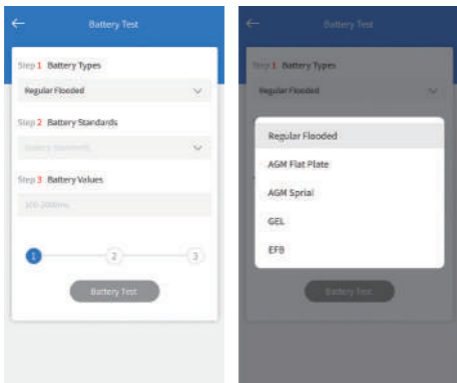


Figure 4.1.1

3. Select the corresponding battery standard (See figure 4.1.2). The specific battery standard will also be listed on the battery label.

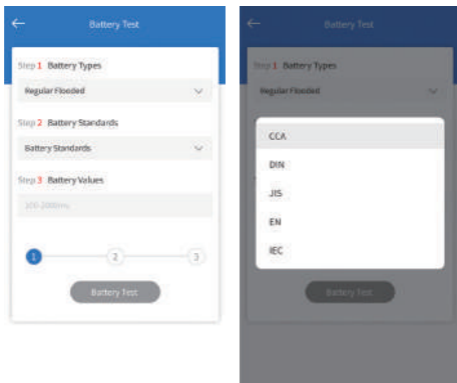


Figure 4.1.2

- **Please refer to the following table for specific battery standards and test ranges (See figure 4.1.3).**

The battery tester will test each battery according to the selected system and rating.

Measurement Standard	Description	Measurement Range
CCA	Cold Cranking Amps, specified by SAE & BCI, most frequently used value for starting battery at 0°F(-18°C)	100-2000
BCI	Battery Council International standard	100-2000
CA	Cranking Amps standard, effective starting current value at 0°C	100-2000
MCA	Marine Cranking Amps standard, effective starting current value at 0°C	100-2000
JIS	Japan Industrial Standard, displayed on the battery as combination of the numbers and letters, e.g., 55D23,80D26	26A17-245H52
DIN	German Auto Industry Committee Standard	100-1400
IEC	International Electrotechnical Commission Standard	100-1400
EN	European Automobile Industry Association Standard	100-2000
SAE	Society of Automotive Engineers Standard	100-2000
GB	China National Standard	30Ah-220Ah

Figure 4.1.3

4. Input the battery capacity value and tap Battery Test to start the test (See figure 4.1.4).

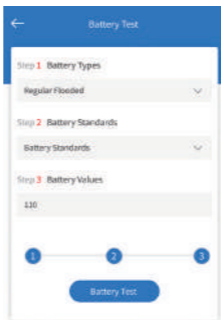


Figure 4.1.4

5. After several seconds, the test result will be displayed.
6. To conduct a cranking test or charging test, please follow the on-screen instructions.

## SECTION 5

### FAQ

**Q:** How to select the charging mode?

**A:** Please select the charging mode according to the battery type and capacity. We recommend that the current value should not be greater than 20% of the battery capacity value. For example, for a 20Ah battery, we recommend that the current is not greater than 4A.

**Q:** Will TB6000Pro stop charging automatically after the battery is fully charged?

**A:** Yes. TB6000Pro adopts 9-step smart charging. When the battery is fully charged, it will automatically stop charging without the risk of overcharging. If you still leave the battery connected, the charger will keep monitoring the battery status and will automatically start charging when the battery voltage falls below its target threshold.

**Q:** Can TB6000Pro charge multiple batteries simultaneously?

**A:** Yes. Please correctly connect these batteries in series or parallel before charging. If you have questions about the connection, you can consult the battery manufacturer or contact us for help.

**Q:** Is REPAIR mode applicable to all battery types?

**A:** No, it can't be used for lithium batteries. However, it is applicable to all types of lead-acid batteries.

**Q:** Why can't some batteries be used normally after repair?

**A:** Please consult the battery manufacturer whether the battery is completely damaged and whether it can be repaired.

**Q:** Why can't some batteries be charged?

**A:** Generally, a 12V battery with a voltage lower than 8.5V is damaged and cannot be charged normally. If the battery is damaged or Er4 error is reported, you can select the 12V Supply mode to recover battery charging.

## **SECTION 6**

### **WARRANTY**

TOPDON's Three Years Limited Warranty

TOPDON warrants to its original purchaser that the company's products will be free from defects in material and workmanship for 36 months from the date of purchase (Warranty Period).

For the defects reported during the Warranty Period, TOPDON will either repair or replace the defective part or product according to its technical support analysis and confirmation.

TOPDON shall not be liable for any incidental or consequential damages arising from the device's use, misuse, or mounting.

Some states do not allow limitation on how long an implied warranty lasts, so the above limitations may not apply to you.

This limited warranty is void under the following conditions:

- Misused, disassembled, altered or repaired by unauthorized stores or technicians.
- Careless handling and operation's violation.

Notice: All information in this manual is based on the latest information available at the time of publication and no warranty can be made for its accuracy or completeness. TOPDON reserves the right to make changes at any time without notice.

## **SECTION 7**

### **FCC**

This device complies with Part 15 of the FCC Rules. Its operation is subject to the following two conditions:  
(1) this device may not cause harmful interference, and



(2) this device must accept any interference received, including interference that may cause undesired operation.

Note: This equipment has been tested and found to comply with the limits for a Class B digital device, pursuant to Part 15 of the FCC Rules.

These limits are designed to provide reasonable protection against harmful interference in a residential installation.

This equipment generates, uses and can radiate radio frequency energy and, if not installed and used in accordance with the instructions, may cause harmful interference to radio communications.

However, there is no guarantee that interference will not occur in a particular installation.

If this equipment does cause harmful interference to radio or television reception, which can be determined by turning the equipment on and off, the user is encouraged to try to correct the interference by one or more of the following measures:

- Reorient or relocate the antenna.
- Increase the distance between the equipment and receiver.
- Connect the equipment into an outlet on a circuit different from the one connected to the receiver.
- Consult a dealer or an experienced radio/TV technician for help.

**DEUTSCH**

# SICHERHEIT STEHT IMMER AN ERSTER STELLE!



## LESEN SIE ALLE ANWEISUNGEN VOR DEM GEBRAUCH

---



Für Ihre Sicherheit, die Sicherheit anderer, des Produkts und des Fahrzeugs, an dem Sie arbeiten, **LESEN SIE BITTE SORGFÄLTIG UND STELLEN SIE SICHER, DASS SIE ALLE SICHERHEITSHINWEISE UND MITTEILUNGEN IN DIESEM HANDBUCH VOLLSTÄNDIG VERSTEHEN.** Da der TB6000Pro eine Kombination aus Batterietester und Batterieladegerät ist, **MÜSSEN SIE DAS WARTUNGSHANDBUCH DES FAHRZEUGS UND DIE SPEZIFISCHEN VORSICHTSMASSNAHMEN DES BATTERIEHERSTELLERS FÜR DIE BATTERIE LESEN** und diese Vorsichtsmaßnahmen und Anweisungen vor und während eines Test- oder Serviceverfahrens befolgen.



**FÜHREN SIE DEN TEST NUR IN EINEM GUT BELÜFTETEN BEREICH DURCH,** da das Fahrzeug Kohlenmonoxid, ein toxisches und giftiges Gas, und Feinstaub erzeugt, wenn der Motor läuft.



**TRAGEN SIE IMMER ZUGELASSENEN SICHERHEITS-AUGENSCHUTZ,** um Schäden durch scharfe Gegenstände und ätzende Flüssigkeiten zu vermeiden.



**ACHTEN SIE IMMER AUF BEWEGLICHE TEILE** (wie Kühlmittelgebläse, Riemenscheiben, Riemen), da sie sich drehen oder mit hoher Geschwindigkeit drehen, wenn der Motor läuft.



**BERÜHREN SIE HEISSE MOTORTEILE NICHT, um schwere Verbrennungen zu vermeiden. Die Motorteile werden bei laufendem Motor sehr heiß.**



**SCHALTEN SIE IMMER AUF P (BEIM AUTOMATIKGETRIEBE) ODER AUF NEUTRAL (BEIM SCHALTGETRIEBE) UND VERGEWISSERN SIE SICH, DASS DIE FESTSTELLBREMSE ANGEZOGEN IST.**



**VERWENDEN SIE IMMER EIN DIGITALES MULTIMETER MIT MINDESTENS 10 MGOHM IMPEDANZ, wenn Sie elektrische Tests an Fahrzeugen durchführen, um Schäden an den elektronischen Komponenten an Bord zu vermeiden.**



**RAUCHEN SIE NICHT IN DER NÄHE DES FAHRZEUGS während des Testens. Die Kraftstoff- und Batteriedämpfe sind leicht entzündlich.**



**SCHNEIDEN SIE DIE PRODUKTKABEL NICHT DURCH UND TAUCHEN SIE SIE NICHT IN WASSER. Es ist ein elektrisches Gerät, das einen elektrischen Schlag und schwere Verbrennungen verursachen kann.**



**WARNUNG: Batteriesäure ist extrem ätzend. Wenn Säure in Ihre Augen gelangt, SPÜLEN SIE DIESE GRÜNDLICH FÜR MINDESTENS 20 MINUTEN MIT KALTEM WASSER AUS UND SUCHEN SIE SOFORT EINEN ARZT AUF. Wenn Batteriesäure auf Ihre Haut oder Kleidung gelangt, WASCHEN SIE SIE SOFORT MIT EINER LÖSUNG AUS WASSER UND BACKSODA.**

# **ABSCHNITT 1 WAS IST IN DER BOX?**

**TB6000Pro**

---

**Benutzerhandbuch**

---

# **ABSCHNITT 2 PRODUKTÜBERSICHTEN & SOFTWARE-DOWNLOAD**

**Produktübersichten**

---

1. 6 Akkulademodi: Im Standalone-Modus bietet Ihnen TB6000Pro 6 verschiedene Modi: 12V/6A Norm, 6V/3A Norm, 12V/3A Klein, 12V/6A Lithium-Ionen-Akku, 12V/1A Reparatur, 12V/6A Versorgung. (Siehe Abbildung 2.1.1) Sobald das Ladegerät über BT mit dem Telefon verbunden ist, können Sie den Ladevorgang und die Parameter anpassen. (Einzelheiten siehe Abschnitt 3)

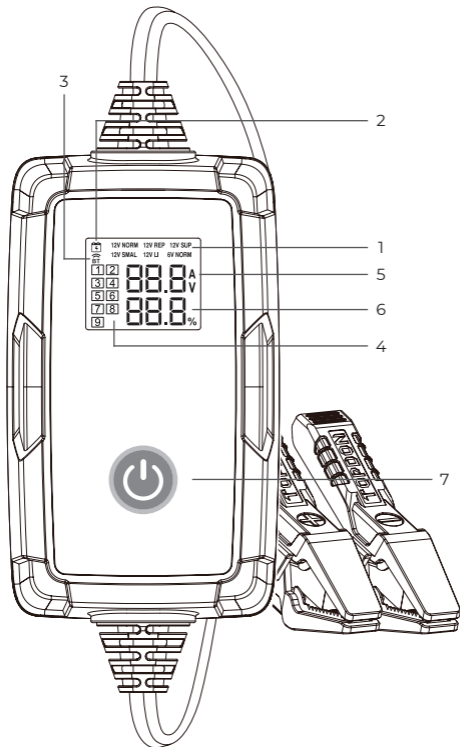


Abbildung 2.1.1

2. Ladestatusanzeige: Sobald der Adapter in die Steckdose eingesteckt ist und Sie den Lademodus bestätigt haben, leuchtet die Anzeige auf und bleibt still, sonst bleibt sie aus.
  - Bitte ziehen Sie den Adapter ab, bevor Sie die Batterietests durchführen, und stellen Sie sicher, dass die Klemmen richtig mit den Batterieklemmen verbunden sind.
3. Bluetooth-Verbindungsstatusanzeige: Wenn sich der TB6000Pro im Standalone-Modus befindet und mit keinem Telefon gekoppelt ist, blinkt die Bluetooth-Anzeige weiter. Sobald es gekoG30:G34
4. Ladestufenanzeige: Sie zeigt Ihnen genau an, in welchem Schritt Sie sich unter den 9 Ladestufen befinden.
5. Ladespannung und -strom in Echtzeit: Zeigt Ihnen den Ladestrom und die Ladespannung in Echtzeit an. Der Parameter wird alle 2 Sekunden aktualisiert. Wenn die folgenden Fehler auftreten, wird der entsprechende Fehlercode angezeigt:
  - Er1: Kurzschluss oder Verpolung
  - Er2: Übertemperatur
  - Er3: Ladezeitüberschreitung
  - Er4: Batterie ist beschädigt, bitte wechseln Sie in den 12-V-Versorgungsmodus, um zu versuchen, die Batterie wiederherzustellen.
  - Er5: Falscher Modus, bitte wählen Sie den 12-V-Lademodus.
6. Aktuelle Restleistung
7. Moduswechsel-Taste: Im Standalone-Modus können Sie die Taste zum Wechseln von Lademodi drücken. Der vorgewählte Modus blinkt weiter. Drücken Sie es Zweimal hintereinander, um den Ladevorgang zu starten.

## Wie lade ich den TB6000Pro herunter und verbinde ihn mit meinem Telefon?

---

- Bitte schalten Sie Bluetooth ein, bevor Sie die Verbindung herstellen.
  - SIE KÖNNEN BLUETOOTH NUR IN DER TB6000Pro-APP EINRICHTEN
1. Gehen Sie für das iPhone zum App Store und suchen Sie nach TB6000Pro.
  2. Für Android gehen Sie bitte zu Google Play und suchen Sie nach TB6000Pro.
  3. Um Ihr Telefon mit TB6000Pro über Bluetooth zu verbinden, müssen Sie es in den Einstellungen aktivieren.
  4. Oder Sie können Bluetooth im Kontrollzentrum oder im Benachrichtigungsfeld einschalten.
  5. Öffnen Sie die TB6000Pro-APP und tippen Sie auf das Bluetooth-Symbol, um eine Verbindung mit dem Gerät herzustellen.

## ABSCHNITT 3 WIE LADE ICH EINE BATTERIE AUF?

Zum Verstehen von 6 Lademodi beziehen Sie sich bitte auf die folgende Tabelle (Abbildung 3.1.1)



<b>Modus</b>	<b>Max. Stromspannung</b>	<b>Definition</b>
12V/6A Norm	14.2V	Es lädt 12V-Nass-, Gel-, MF-, Cal-, EFB- und AGM-Batterien durch intelligentes Laden in 9 Schritten.
6V/3A Norm	7.1V	Es lädt 6V-Nass-, Gel-, MF-, Cal-, EFB- und AGM-Batterien durch intelligentes Laden in 9 Schritten.
12V/3A Klein	14.2V	Es lädt 12V-Nass-, Gel-, MF-, Cal-, EFB- und AGM-Batterien mit einer kleinen Kapazität von bis zu 50 Ah durch intelligentes Laden in 9 Schritten.
12V/6A Lithium-Ionen-Akku	14.6V	Es lädt 12V-Li-Ionen-Akkus, einschließlich Lithium-Eisen-Phosphat (LiFePO <sub>4</sub> ).
12V/1A Reparatur	14.2V	Es repariert alte oder sulfatierte Batterien durch Schwachstrom und Impulsstrom.
12V/6A Versorgung	13.5V	Stellen Sie eine Ausgangsversorgung mit einer konstanten Spannung von 13,5 V und einem maximalen Strom von 6 A (81 W) bereit. Wenn die Batterie beschädigt ist oder ein Er4-Fehler gemeldet wird, können Sie diesen Modus auswählen, um das Laden der Batterie wiederherzustellen.

Abbildung 3.1.1

Zum Verstehen vom 9-stufigen Intelligenten Laden beziehen Sie sich auf Abbildung 3.1.2.

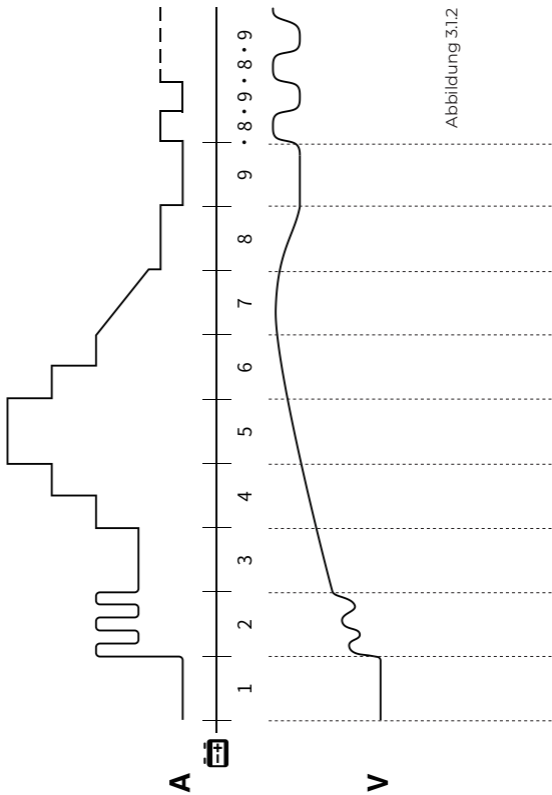


Abbildung 3.1.2

<b>12V/6A NORM</b>	>2A OK	2-10.2V 1.5-3A	10.2-11.8V 1.5A	11.8V 1.5-4.5A	11.8-13.5V 6A	13.5-14.0V 4.5-3A	14.0V 3-1.5A	14.0-14.2V 0.8A	14.2-12.8V 0A	14.2-12.8V.. 0A-0.8A...
<b>12V/3A Klein</b>	>2A OK	2-10.2V 0.8-1.5A	10.2-11.8V 0.8A	11.8V 0.8-2.3A	11.8-13.5V 3A	13.5-14.0V 2.3-1.5A	14.0V 1.5-0.8A	14.0-14.2V 0.4A	14.2-12.8V 0A	14.2-12.8V.. 0A-0.4A...
<b>6V/3A NORM</b>	>2A OK	2-5.1V 0.8-1.5A	5.1-5.9V 0.8A	5.9V 0.8-2.3A	5.9-6.8V 3A	6.8-7.0V 2.3-1.5A	7.0V 1.5-0.8A	7.0-7.1V 0.4A	7.1-6.4V 0A	7.1-6.4V.. 0A-0.4A...
<b>12V/1A Reparatur</b>	>2A OK	2-14.2V 1A								
<b>12V/6A LITHIUM</b>	>2A OK	-	2-10.6V 1.5A	10.6V 1.5-4.5A	10.6-13.9V 6A	13.9-14.6V 4.5-3A	14.6V 0.75A-0A	-		
<b>12V/6A Versorgung</b>	13.5V 6A MAX									

1. Überprüfen Sie den Anfangszustand, die Spannung, den Ladezustand und den Gesundheitszustand der Batterie, um die Stabilität der Batterie vor dem Laden sicherzustellen.
2. Laden Sie die Batterie mit Impulsstrom auf, um die Sulfate abzubauen, die sich im Laufe der Zeit in der alternden Batterie angesammelt haben, um die Lebensdauer zu verlängern.
3. Laden Sie die Batterie mit niedrigem Strom auf, um das Hochstromladen vorzubereiten.
4. Laden Sie die Batterie mit drei Stufen konstanten Stroms auf, die allmählich ansteigen, um den Ladevorgang zu optimieren.
5. Laden Sie die Batterie mit voreingestelltem Strom auf, bis er 80% erreicht.
6. Erhaltungsladung der Batterie, bis sie 90% erreicht.
7. Belassen Sie die Spannung auf dem voreingestellten Wert, bis der Ladestrom auf 12,5 % des Maximalwerts abfällt, und laden Sie die Leistung weiter auf 95 % auf.
8. Laden Sie mit 12,5 % des voreingestellten Maximalstroms, bis die Batterie zu 100 % aufgeladen ist.
9. Überprüfen Sie, ob die Spannung niedriger als der voreingestellte Wert ist. Wenn dies der Fall ist, gehen Sie zurück zu Schritt 8.

## **Standalone-Lademodus**

---

1. Wenn TB6000Pro mit der Stromversorgung verbunden ist, blinken die Lademodi weiter. Drücken Sie die Moduswechseltaste, um zwischen den Modi

umzuschalten.

2. Nachdem Sie den Modus ausgewählt haben, drücken Sie zweimal schnell, um den Lademodus zu bestätigen.
3. Nach der Bestätigung wird der Ladevorgang automatisch ab Schritt eins gestartet.

## **Bluetooth-Lademodus**

---

1. Sobald Sie bestätigt haben, dass die Vorbereitungsschritte abgeschlossen sind, stecken Sie den Adapter in eine Steckdose und befestigen Sie die Clips an den Batterieanschlüssen.
2. Öffnen Sie den TB6000Pro, tippen Sie auf Intelligentes Aufladen/Schnelles Aufladen
  - Intelligentes Aufladen:  
In diesem Modus wird vor und nach dem Laden automatisch ein Batterietest durchgeführt. Geben Sie einfach grundlegende Akkuinformationen ein und wählen Sie den gewünschten Lademodus aus, tippen Sie dann auf Starten von Ladevorgang. Während des Vorgangs wird automatisch ein Ladebericht erstellt.

### **Notiz:**

1. Intelligentes Aufladen ist nur für 12-V-Blei-Säure-Batterien geeignet (Li-Ion- oder 6-V-Batterien werden nicht unterstützt).
  2. Um die Genauigkeit der Testergebnisse zu gewährleisten, benutzen Sie im Intelligenten Aufladen-Modus nur die Batterieklammern zum Anschließen an die Batteriepole.
- Schnelles Aufladen:  
In diesem Modus stehen 6 Lademodi sowie der DIY-Modus zur Verfügung. Sie können den voreingestellten Lademodus auswählen, um direkt aufzuladen, oder den Lademodus entsprechend dem Zustand der Batterie anpassen. (Siehe Abbildung 3.3.1)



Abbildung 3.3.1

3. Tippen Sie auf Modus Hinzufügen, dann werden Sie den folgenden Bildschirm sehen. Hier können Sie den Akkutyp auswählen, Ladezeit reservieren und die maximale Ladespannung und den maximalen Ladestrom einstellen. (Siehe Abbildung 3.3.2)
4. Wenn der DIY-Modus Ihre Anforderungen nicht erfüllen konnte, können Sie den Expertenmodus auswählen. Dann können Sie den Lademodus noch weiter anpassen. Erfüllen Sie Ihre Ladeanforderungen, indem Sie Spannung, Strom, Dauer und Anzahl der Zyklen für jeden Ladeschritt einstellen. (Siehe Abbildung 3.3.3)



Abbildung 3.3.2



Abbildung 3.3.3

## ABSCHNITT 4 WIE FÜHRE ICH EINEN BATTERIETEST DURCH?

- Die Batterietestfunktion gilt nur für 6-V- und 12-V-Blei-Säure-Batterien.
  - Benutzen Sie die Batterieklemmen nur zum Anschließen an die Batteriepole, wenn Sie einen Batterietest durchführen.
1. Tippen Sie auf Testverwaltung und dann auf Batterietest.

2. Wählen Sie den entsprechenden Batterietyp aus (siehe Abbildung 4.1.1). Der genaue Batterietyp ist normalerweise auf dem Batterieticket aufgeführt.

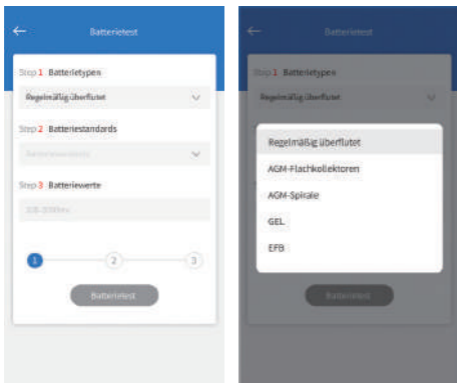


Abbildung 4.1.1



3. Wählen Sie den entsprechenden Batteriestandard aus (siehe Abbildung 4.1.2). Der spezifische Batteriestandard wird auch auf dem Batterieetikett aufgeführt.

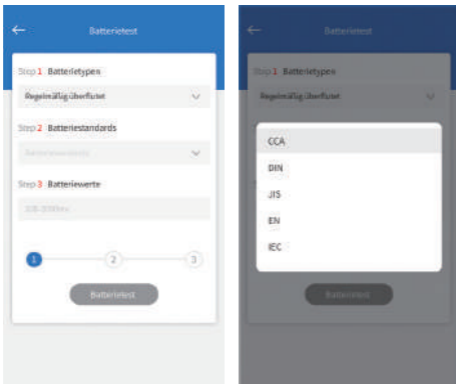


Abbildung 4.1.2

- **Bitte beziehen Sie sich auf die folgende Tabelle für spezifische Batteriestandards und Testbereiche (siehe Abbildung 4.1.3).**

Der Batterietester testet jede Batterie gemäß dem ausgewählten System und der Nennleistung.

Messtandard	Beschreibung	Messbereich
CCA	Kaltstartstrom, angegeben von SAE & BCI, am häufigsten verwendeter Wert zum Starten von Batterien bei -18°C (0°F)	100-2000
BCI	Batterierat Internationaler Standard	100-2000
CA	Startstrom Standard, effektiver Startstromwert bei 0°C	100-2000
MCA	Marine Anlassstrom Standard, effektiver Anlaufstromwert bei 0°C	100-2000
JIS	Japanischer Industriestandard, auf dem Akku als Zahlen-Buchstaben-Kombination angegeben, z. B. 55D23, 80D26	26A17-245H52
DIN	Standard des Deutschen Automobilindustrie Ausschusses	100-1400
IEC	Standard der Internationalen Elektrotechnischen Kommission	100-1400
EN	Standard des Verbands der europäischen Automobilindustrie	100-2000
SAE	Standard der Gesellschaft der Automobilingenieure	100-2000
GB	Nationaler chinesischer Standard	30Ah-220Ah

Abbildung 4.1.3

4. Geben Sie den Batteriekapazitätswert ein und tippen Sie auf Batterietest, um den Test zu starten (siehe Abbildung 4.1.4).

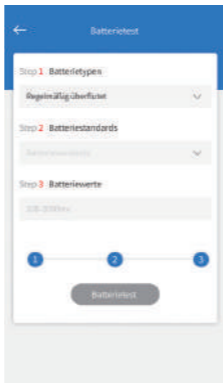


Abbildung 4.1.4

5. Nach einigen Sekunden wird das Testergebnis angezeigt.
6. Zum Durchführen eines Start- oder Ladetests befolgen Sie bitte die Anweisungen auf dem Bildschirm.

## ABSCHNITT 5

### FAQ

**F:** Wie wähle ich den Lademodus aus?

**A:** Bitte wählen Sie den Lademodus entsprechend dem Batterietyp und der Kapazität aus. Es wird empfohlen, dass der Stromwert nicht größer als 20 % des Batteriekapazitätswerts sein sollte. Beispielsweise empfehlen wir für eine 20-Ah-Batterie, dass der Strom nicht größer als 4 A ist.

**F:** Wird der Ladevorgang des TB6000Pro automatisch beendet, nachdem die Batterie vollständig aufgeladen ist?

**A:** Ja. TB6000Pro übernimmt 9-stufiges intelligentes Laden. Wenn die Batterie vollständig aufgeladen ist, stoppt er automatisch den Ladevorgang, ohne dass das Risiko einer Überladung besteht. Wenn Sie die Batterie weiterhin angeschlossen lassen, überwacht das Ladegerät weiterhin den Batteriestatus und beginnt automatisch mit dem Ladevorgang, wenn die Batteriespannung unter den Zielschwellenwert fällt.

**F:** Kann TB6000Pro mehrere Batterien gleichzeitig laden?

**A:** Ja. Bitte verbinden Sie diese Batterien vor dem Laden korrekt in Reihe oder parallel. Wenn Sie Fragen zum Anschluss haben, können Sie den Batteriehersteller kontaktieren oder uns um Hilfe bitten.

**F:** Gilt der REPARATUR-Modus für alle Batterietypen?

**A:** Nein, es kann nicht für Lithiumbatterien benutzt werden. Sie ist jedoch auf alle Typen von Blei-Säure-Batterien anwendbar.

**F:** Warum können einige Batterien nach der Reparatur nicht normal verwendet werden?

**A:** Bitte kontaktieren Sie den Batteriehersteller, ob die Batterie vollständig beschädigt ist und repariert

werden kann.

**F:** Warum können manche Batterien nicht aufgeladen werden?

**A:** Im Allgemeinen ist eine 12-V-Batterie mit einer Spannung von weniger als 8,5 V beschädigt und kann nicht normal aufgeladen werden. Wenn die Batterie beschädigt ist oder ein Er4-Fehler gemeldet wird, können Sie den 12-V-Versorgungsmodus auswählen, um die Batterieladung wiederherzustellen.

## **ABSCHNITT 6**

### **GARANTIE**

TOPDONs eingeschränkte dreijährige Garantie

TOPDON garantiert seinem ursprünglichen Käufer, dass die Produkte des Unternehmens für 36 Monate ab Kaufdatum frei von Material- und Verarbeitungsfehlern sind (Garantiezeitraum).

Für die während der Garantiezeit gemeldeten Mängel wird TOPDON das defekte Teil oder Gerät gemäß seiner Analyse und Bestätigung des technischen Supports entweder reparieren oder ersetzen.

TOPDON haftet nicht für Neben- oder Folgeschäden, die durch den Gebrauch, den Missbrauch oder die Montage des Geräts entstehen.

Einige Staaten erlauben keine Begrenzung der Dauer einer stillschweigenden Garantie, sodass die oben genannten Einschränkungen möglicherweise nicht auf Sie zutreffen.

Diese eingeschränkte Garantie erlischt unter den folgenden Bedingungen:

- Missbrauch, Demontage, Änderung oder Reparatur durch nicht autorisierte Geschäfte oder Techniker.
- Unachtsame Handhabung und Verletzung des Betriebs.

Notiz: Alle Informationen in dieser Anleitung basieren auf den neuesten Informationen, die zum Zeitpunkt der Veröffentlichung verfügbar waren, und es kann keine Garantie für ihre Genauigkeit oder Vollständigkeit übernommen werden. TOPDON behält sich das Recht vor, jederzeit ohne Vorankündigung Änderungen vorzunehmen.



**FRANÇAIS**



# LA SÉCURITÉ EST TOUJOURS LA PRIORITÉ !



## LISEZ TOUTES LES INSTRUCTIONS AVANT UTILISATION



Pour votre sécurité, celle des autres, du produit et du véhicule sur lequel vous travaillez, **VEUILLEZ LIRE ATTENTIVEMENT ET VOUS ASSURER DE BIEN COMPRENDRE TOUTES LES INSTRUCTIONS ET MESSAGES DE SÉCURITÉ DE CE MANUEL.** Le TB6000Pro étant une combinaison de testeur et de chargeur de batterie, **VOUS DEVEZ LIRE LE MANUEL D'ENTRETIEN DU VÉHICULE, LES PRÉCAUTIONS SPÉCIFIQUES DU FABRICANT DE BATTERIES POUR LA BATTERIE** et suivre lesdites précautions et instructions avant et pendant toute procédure de test ou d'entretien.



**N'EFFECTUEZ LE TEST QUE DANS UN ESPACE BIEN VENTILÉ** car le véhicule produit du monoxyde de carbone, un gaz toxique et toxique, et des particules lorsque le moteur tourne.



**PORTEZ TOUJOURS UNE PROTECTION ORIENTALE DE SÉCURITÉ APPROUVÉE** pour éviter les dommages causés par les objets pointus et les liquides caustiques.



**FAITES TOUJOURS ATTENTION AUX PIÈCES EN MOUVEMENT** (telles que les ventilateurs de refroidissement, les poulies, les courroies) car elles tournent à grande vitesse lorsque le moteur tourne.



**NE TOUCHEZ PAS LES PIÈCES CHAUDES DU MOTEUR** pour éviter de graves brûlures. Les pièces du moteur deviennent très chaudes lorsque le moteur tourne.



**PASSEZ TOUJOURS LA VITESSE EN P (POUR LA TRANSMISSION AUTOMATIQUE) OU AU POINT MORT (POUR LA TRANSMISSION MANUELLE) ET ASSUREZ-VOUS QUE LE FREIN DE STATIONNEMENT EST ENGAGÉ.**



**UTILISEZ TOUJOURS UN MULTIMÈTRE NUMÉRIQUE D'UNE IMPÉDANCE D'AU MOINS 10 MEGOHMS** pour effectuer des tests électriques sur les véhicules afin d'éviter d'endommager les composants électroniques embarqués.



**NE FUMEZ PAS** à proximité du véhicule pendant les tests. Les vapeurs de carburant et de batterie sont hautement inflammables.



**NE COUPEZ PAS LES CORDONS DU PRODUIT NI LES IMMERGER DANS L'EAU.** Le produit est un appareil électrique qui peut provoquer des chocs et des brûlures graves.



**AVERTISSEMENT :** L'acide de la batterie est extrêmement corrosif. Si l'acide pénètre dans vos yeux, rincez-les abondamment à l'eau froide courante pendant au moins 20 minutes et consultez un médecin immédiatement. Si l'acide de la batterie entre en contact avec votre peau ou vos vêtements, **LAVEZ-LES IMMÉDIATEMENT AVEC UNE SOLUTION D'EAU ET DE BICARBONATE DE SODIUM.**

# **SECTION 1**

## **QU'Y A-T-IL DANS LA BOÎTE ?**

**TB6000Pro**

---

**Manuel d'utilisation**

---

# **SECTION 2**

## **PRÉSENTATION DES PRODUITS ET TÉLÉCHARGEMENT DES LOGICIELS**

### **Aperçu des produits**

---

1. 6 modes de charge de la batterie : En mode autonome, le TB6000Pro vous propose 6 modes différents : Norme 12V/6A, Norme 6V/3A, Petit 12V/3A, Batterie lithium-ion 12V/6A, Réparation 12V/1A, Alimentation 12V/6A. (Voir figure 2.1.1) Une fois le chargeur connecté au téléphone via BT, vous pouvez personnaliser le processus et les paramètres de charge. (Pour plus de détails, veuillez vous référer à la section 3)

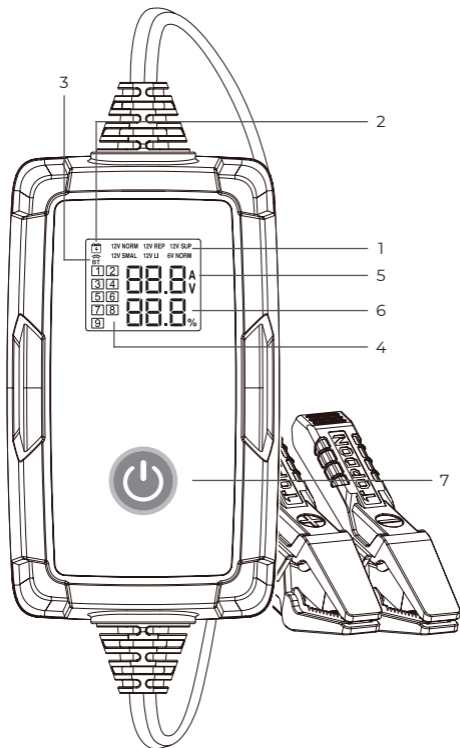


Figure 2.11

2. Indicateur d'état de charge : Une fois que l'adaptateur est branché sur la prise et que vous avez confirmé le mode de charge, le voyant s'allume et reste immobile, sinon il reste éteint.
  - *Veillez débrancher l'adaptateur avant d'effectuer les tests de batterie et assurez-vous que les pinces sont correctement connectées aux bornes de la batterie.*
3. Indicateur d'état de la connexion Bluetooth : Si le TB6000Pro est en mode autonome et n'est jumelé à aucun téléphone, l'indicateur Bluetooth continue de clignoter. Une fois qu'il est apparié, l'indicateur reste immobile.
4. Indicateur d'étapes de charge : Il vous indique exactement à quelle étape vous vous trouvez parmi les 9 étapes de charge.
5. Tension et courant de charge en temps réel : Il vous présente le courant et la tension de charge en temps réel. Ce paramètre est actualisé toutes les 2 secondes. Lorsque les erreurs suivantes se produisent, il affiche le code d'erreur correspondant :
  - Er1 : Court-circuit ou inversion de polarité
  - Er2 : Surchauffe
  - Er3 : Temps de charge dépassé
  - Er4 : La batterie est endommagée, veuillez passer en mode d'alimentation 12 V pour tenter de récupérer la batterie.
  - Er5 : Mauvais mode, veuillez sélectionner le mode de charge 12 V.
6. Puissance restante actuelle
7. Bouton de changement de mode : En mode autonome, vous pouvez appuyer sur le bouton pour changer de mode de charge. Le mode présélectionné continue de clignoter. Appuyez deux fois de suite sur le bouton pour lancer la charge.

## **Comment télécharger et connecter le TB6000Pro à votre téléphone ?**

---

- Veuillez activer le Bluetooth avant d'établir la connexion.
  - VOUS POUVEZ UNIQUEMENT CONFIGURER LE BLUETOOTH DANS L'APPLICATION TB6000Pro
1. Pour l'iPhone, veuillez vous rendre sur l'AppStore et rechercher TB6000Pro.
  2. Pour Android, veuillez vous rendre sur GooglePlay et rechercher TB6000Pro.
  3. Pour connecter votre téléphone à TB6000Pro via Bluetooth, vous devez l'activer dans les paramètres.
  4. Vous pouvez également activer le Bluetooth dans le Centre de contrôle ou le Panneau de notification.
  5. Ouvrez l'APP TB6000Pro et appuyez sur l'icône Bluetooth pour établir la connexion avec l'unité.

## **SECTION 3 COMMENT CHARGER UNE BATTERIE ?**

Pour comprendre les 6 modes de charge, veuillez vous référer au tableau ci-dessous (Figure 3.1.1)

<b>Mode</b>	<b>Voltage Max.</b>	<b>Définition</b>
Norme 12V/6A	14.2V	Chargez des batteries 12V humides, gel, MF, Cal, EFB et AGM grâce à une charge intelligente en 9 étapes.
Norme 6V/3A	7.1V	Chargez des batteries 6V humides, gel, MF, Cal, EFB et AGM grâce à la charge intelligente en 9 étapes.
Petit 12V/3A	14.2V	Chargez des batteries 12V humides, gel, MF, Cal, EFB, et AGM avec une petite capacité jusqu'à 50Ah par une charge intelligente en 9 étapes.
Batterie lithium-ion 12V/6A	14.6V	Chargez les batteries 12V lithium-ion, y compris le phosphate de fer lithié (LiFePO4).
Réparation 12V/1A	14.2V	Réparez les batteries anciennes ou sulfatées grâce au courant faible et au courant pulsé.
Alimentation 12V/6A	13.5V	Fournissez une alimentation de sortie d'une tension constante de 13,5 V et un courant maximum de 6 A (81 W). Si la batterie est endommagée ou si une erreur Er4 est signalée, vous pouvez sélectionner ce mode pour récupérer la charge de la batterie.

Figure 3.1.1

Pour comprendre les 9 étapes de la charge intelligente, veuillez vous référer à la figure 3.1.2.

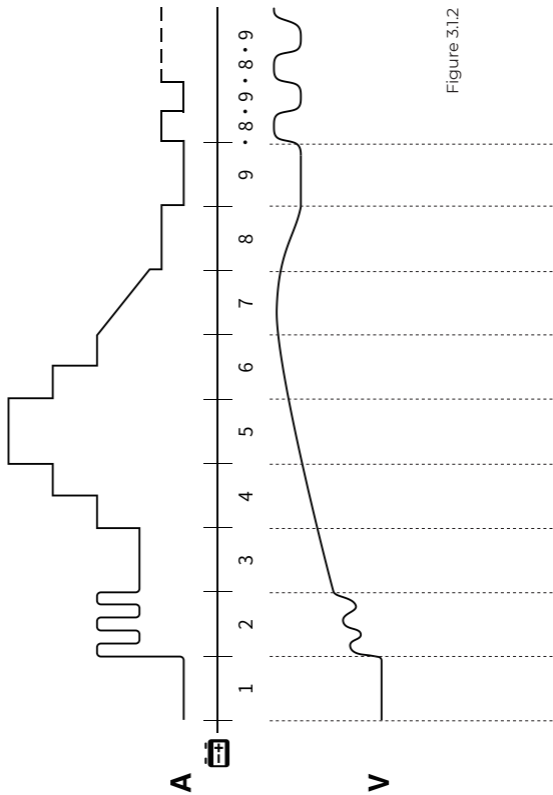


Figure 3.1.2



<b>Norme 12V/6A</b>	>2A OK	2-10.2V 1.5-3A	10.2-11.8V 1.5A	11.8V 1.5-4.5A	11.8-13.5V 6A	13.5-14.0V 4.5-3A	14.0V 3-1.5A	14.0-14.2V 0.8A	14.2-12.8V 0A	14.2-12.8V.. 0A-0.8A...	
<b>Petit 12V/3A</b>	>2A OK	2-10.2V 0.8-1.5A	10.2-11.8V 0.8A	11.8V 0.8-2.3A	11.8-13.5V 3A	13.5-14.0V 2.3-1.5A	14.0V 1.5-0.8A	14.0-14.2V 0.4A	14.2-12.8V 0A	14.2-12.8V.. 0A-0.4A...	
<b>Norme 6V/3A</b>	>2A OK	2-5.1V 0.8-1.5A	5.1-5.9V 0.8A	5.9V 0.8-2.3A	5.9-6.8V 3A	6.8-7.0V 2.3-1.5A	7.0V 1.5-0.8A	7.0-7.1V 0.4A	7.1-6.4V 0A	7.1-6.4V.. 0A-0.4A...	
<b>Réparation 12V/1A</b>	>2A OK	-	2-14.2V 1A				-	14.2V 0-1A 2h Max	-	-	-
<b>Batterie lithium-ion 12V/6A</b>	>2A OK	-	2-10.6V 1.5A	10.6V 1.5-4.5A	10.6-13.9V 6A	13.9-14.6V 4.5-3A	14.6V 0.75A-0A	-	-	-	
<b>Alimentation 12V/6A</b>	13.5V 6A MAX										

1. Vérifiez l'état initial de la batterie, sa tension, son état de charge et son état de santé pour vous assurer de la stabilité de la batterie avant de la charger.
2. Chargez la batterie avec un courant pulsé pour décomposer les sulfates qui se sont accumulés au fil du temps dans la batterie vieillissante afin de prolonger sa durée de vie.
3. Chargez la batterie avec un courant faible pour préparer la charge à courant élevé.
4. Chargez la batterie avec trois étapes de courant constant qui augmentent progressivement pour optimiser la charge.
5. Chargez la batterie avec un courant prédéfini jusqu'à ce qu'elle atteigne 80 %.
6. Chargez la batterie au fur et à mesure jusqu'à ce qu'elle atteigne 90 %.
7. Maintenez la tension à la valeur prédéfinie jusqu'à ce que le courant de charge tombe à 12,5 % de la valeur maximale et continuez à charger la batterie jusqu'à 95 %.
8. Chargez à 12,5 % du courant maximal prédéfini jusqu'à ce que la batterie soit chargée à 100 %.
9. Vérifiez si la tension est inférieure à la valeur prédéfinie. Si c'est le cas, retournez à l'étape 8.

### **Mode de chargement autonome**

---

1. Lorsque TB6000Pro est connecté à l'alimentation électrique, les modes de charge continuent de clignoter. Appuyez sur le bouton de changement de mode pour passer d'un mode à l'autre.

2. Une fois que vous avez sélectionné le mode, appuyez deux fois rapidement pour confirmer le mode de charge.
3. Après la confirmation, le processus de charge commence automatiquement à l'étape 1.

## **Mode de charge Bluetooth**

---

1. Une fois que vous avez confirmé que les étapes de préparation sont effectuées, branchez l'adaptateur sur une prise murale et fixez les pinces aux bornes de la batterie.
2. Ouvrez le TB6000Pro, appuyez sur le bouton Chargement intelligent/Chargement rapide.  
•Chargement intelligent :  
Dans ce mode, un test de la batterie est automatiquement effectué avant et après la charge. Il suffit d'entrer les informations de base sur la batterie et de sélectionner le mode de charge souhaité, puis de toucher Démarrer la charge. Un rapport de charge sera automatiquement généré pendant le processus.

### **Remarque :**

1. Le Chargement intelligent n'est applicable qu'aux batteries plomb-acide de 12 V (les batteries Li-ion ou 6 V ne sont pas prises en charge).
2. Pour garantir la précision des résultats de test, utilisez uniquement les pinces de batterie pour vous connecter aux bornes de la batterie en mode Chargement intelligent.  
•Chargement rapide :  
Dans ce mode, 6 modes de charge sont disponibles, ainsi que le mode DIY. Vous pouvez choisir le mode de charge prédéfini pour charger directement, ou personnaliser le mode de charge en fonction de l'état de la batterie. (Voir figure 3.3.1)



Figure 3.3.1

3. Appuyez sur Ajouter un mode, vous verrez l'écran suivant. Vous pouvez y choisir le type de batterie, réserver le temps de charge, et régler la tension et le courant de charge maximum. (Voir figure 3.3.2)
4. Si le Mode bricolage ne répond pas à vos besoins, vous pouvez choisir le Mode expert. Dans ce mode, vous pouvez personnaliser encore plus le mode de charge. Répondez à vos besoins de charge en définissant la tension, le courant, la durée et le nombre de cycles pour chaque étape de charge. (Voir figure 3.3.3)



Figure 3.3.2



Figure 3.3.3

## SECTION 4 COMMENT EFFECTUER UN TEST DE BATTERIE ?

- La fonction de test des batteries n'est applicable qu'aux batteries au plomb de 6V et 12V.
  - N'utilisez que les pinces de batterie pour vous connecter aux bornes de la batterie lorsque vous effectuez un test de batterie.
1. Appuyez sur Gestion des tests, puis sur Test de la batterie.

2. Sélectionnez le type de batterie correspondant (voir figure 4.1.1). Le type de batterie spécifique est généralement indiqué sur l'étiquette de la batterie.

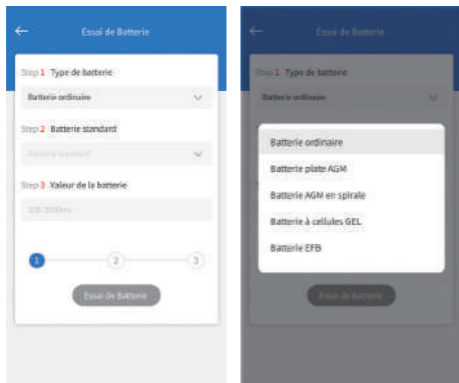


Figure 4.1.1

- Sélectionnez la norme de batterie correspondante (voir figure 4.1.2). La norme spécifique de la batterie est également indiquée sur l'étiquette de la batterie.

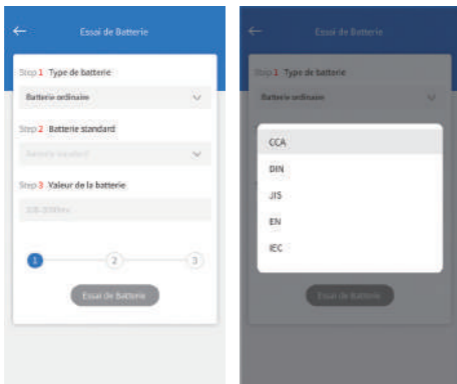


Figure 4.1.2

- Veuillez vous reporter au tableau suivant pour connaître les normes et les plages de test spécifiques des batteries (voir figure 4.1.3).**

Le testeur de batteries testera chaque batterie en fonction du système et de l'indice sélectionnés.

Norme de mesure	Description	Intervalle de mesure
CCA	Ampères de démarrage à froid, spécifié par SAE & BCI, valeur la plus fréquemment utilisée pour les batteries de démarrage à 0°F (-18°C).	100-2000
BCI	Standard du Conseil de Batterie Internationale	100-2000
CA	Standard des Ampères de Démarrage, valeur réelle du courant de démarrage à 0°C	100-2000
MCA	Standard des Ampères de Démarrage Marin, valeur réelle du courant de démarrage à 0°C	100-2000
JIS	Standard Industriel Japonais, affiché sur la batterie sous la forme d'une combinaison de chiffres et de lettres, par exemple, 55D23,80D26	26A17-245H52
DIN	Norme du comité de l'industrie automobile allemande	100-1400
IEC	Norme de la Commission électrotechnique internationale	100-1400
FR	Norme de l'Association européenne de l'industrie automobile	100-2000
SAE	Norme de la Société des ingénieurs de l'automobile	100-2000
GB	Norme nationale chinoise	30Ah-220Ah

Figure 4.1.3



- Saisissez la valeur de la capacité de la batterie et appuyez sur Test de batterie pour lancer le test (voir figure 4.1.4).

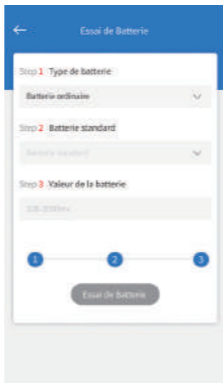


Figure 4.1.4

- Après quelques secondes, le résultat du test s'affiche.
- Pour effectuer un test de démarrage ou un test de charge, veuillez suivre les instructions à l'écran.

## SECTION 5

### FAQ

**Q:** Comment sélectionner le mode de charge ?

**R:** Veuillez sélectionner le mode de charge en fonction du type et de la capacité de la batterie. Nous recommandons que la valeur du courant ne soit pas supérieure à 20 % de la valeur de la capacité de la batterie. Par exemple, pour une batterie de 20Ah, nous recommandons que le courant ne soit pas supérieur à 4A.

**Q:** Le TB6000Pro s'arrêtera-t-il de charger automatiquement une fois la batterie complètement chargée ?

**R:** Oui. Le TB6000Pro adopte un système de charge intelligent en 9 étapes. Lorsque la batterie est entièrement chargée, elle s'arrête automatiquement sans risque de surcharge. Si vous laissez toujours la batterie connectée, le chargeur continuera à surveiller l'état de la batterie et commencera automatiquement la charge lorsque la tension de la batterie passera sous le seuil cible.

**Q:** Le TB6000Pro peut-il charger plusieurs batteries simultanément ?

**R:** Oui. Veuillez connecter correctement ces batteries en série ou en parallèle avant de les charger. Si vous avez des questions concernant la connexion, vous pouvez consulter le fabricant de la batterie ou nous contacter pour obtenir de l'aide.

**Q:** Le mode RÉPARATION est-il applicable à tous les types de batterie ?

**R:** Non, il ne peut pas être utilisé pour les batteries au lithium. Cependant, il est applicable à tous les types de batteries au plomb.

**Q:** Pourquoi certaines batteries ne peuvent-elles pas être

utilisées normalement après réparation ?

**R:** Veuillez consulter le fabricant de la batterie pour savoir si la batterie est complètement endommagée et si elle peut être réparée.

**Q:** Pourquoi certaines batteries ne peuvent-elles pas être chargées ?

**R:** En général, une batterie de 12V dont la tension est inférieure à 8,5 V est endommagée et ne peut pas être chargée normalement. Si la batterie est endommagée ou si une erreur Er4 est signalée, vous pouvez sélectionner le mode Alimentation 12V pour récupérer la charge de la batterie.

## **SECTION 6**

# **GARANTIE**

Garantie limitée de trois ans de TOPDON

TOPDON garantit à son acheteur d'origine que les produits de la société seront exempts de défauts de matériaux et de fabrication pendant 36 mois à compter de la date d'achat (période de garantie).

Pour les défauts signalés pendant la période de garantie, TOPDON réparera ou remplacera la pièce ou le produit défectueux selon l'analyse et la confirmation de son support technique.

TOPDON ne sera pas responsable des dommages accessoires ou indirects résultant de l'utilisation, de la mauvaise utilisation ou du montage de l'appareil. Certains états n'autorisent pas la limitation de la durée d'une garantie implicite, les limitations ci-dessus peuvent donc ne pas s'appliquer à votre cas.

Cette garantie limitée est nulle dans les conditions suivantes :

- Mauvaise utilisation, démontage, modification ou réparation par des magasins ou des techniciens non autorisés.
- Manipulation négligente et violation des règles de fonctionnement.

Avis : Toutes les informations contenues dans ce manuel sont basées sur les dernières informations disponibles au moment de la publication et aucune garantie ne peut être donnée quant à leur exactitude ou leur exhaustivité. TOPDON se réserve le droit d'apporter des modifications à tout moment sans préavis.



**ESPAÑOL**

# ¡LA SEGURIDAD ES SIEMPRE LA MÁXIMA PRIORIDAD!

## LEA TODAS LAS INSTRUCCIONES ANTES DE USAR

---



Para tu seguridad, la seguridad de otras personas, el producto y el vehículo que está operando, LEE CUIDADOSAMENTE Y ASEGÚRESE DE ENTENDER COMPLETAMENTE TODAS LAS INSTRUCCIONES E INFORMACIONES DE SEGURIDAD EN ESTE MANUAL, Dado que TB6000Pro es una combinación de un probador de baterías y un cargador de baterías, USTED DEBE LEER EL MANUAL DE MANTENIMIENTO DEL VEHÍCULO, LAS PRECAUCIONES ESPECÍFICAS DEL FABRICANTE DE BATERÍAS PARA LA BATERÍA y seguir las precauciones e instrucciones anteriores antes y durante cualquier procedimiento de prueba o mantenimiento.



SOLO OPERE LA PRUEBA EN UN ÁREA BIEN VENTILADA ya que el vehículo produce monóxido de carbono, un gas tóxico y venenoso, y partículas cuando el motor está funcionando.



SIEMPRE USE PROTECCIÓN OCULAR DE SEGURIDAD APROBADA para evitar daños por objetos afilados y líquidos cáusticos.



SIEMPRE TENGA EN CUENTA LAS PARTES MÓVILES (como ventiladores de refrigerante, poleas, correas) ya que giran o giran a altas velocidades cuando el motor está funcionando.



**NO TOQUE LAS PIEZAS DEL MOTOR CALIENTE** para evitar quemaduras severas. Las piezas del motor se calientan mucho cuando el motor está funcionando.



**SIEMPRE CAMBIE EL ENGRANAJE A P (PARA TRANSMISIÓN AUTOMÁTICA) O A NEUTRAL (PARA TRANSMISIÓN MANUAL) Y ASEGÚRESE DE QUE EL FRENO DE ESTACIONAMIENTO ESTÉ ACTIVADO.**



**SIEMPRE USE UN MULTÍMETRO DIGITAL CON AL MENOS 10 MEGOHMS DE IMPEDANCIA** al realizar pruebas eléctricas en los vehículos para evitar daños a los componentes electrónicos a bordo.



**NO SE PUEDE FUMAR EN NINGÚN LUGAR CERCA DEL VEHÍCULO** cuando se prueba. Los vapores de combustible y batería son altamente inflamables.



**NO CORTE LOS CABLES DE LOS PRODUCTOS NI LOS SUMERJA EN EL AGUA.** El producto es un dispositivo eléctrico que puede causar choque y quemaduras severas.



**ADVERTENCIA:** el ácido de la batería es extremadamente corrosivo. Si el ácido se mete en los ojos, **ENJUAGUE BIEN CON AGUA DE CORRIENTE FÍA DURANTE AL MENOS 20 MINUTOS Y BUSQUE ATENCIÓN MÉDICA INMEDIATAMENTE.** SI EL ÁCIDO DE LA BATERÍA SE PONE EN LA PIEL O LA ROPA, **LÁVELA INMEDIATAMENTE CON UNA SOLUCIÓN DE AGUA Y BICARBONATO DE SODIO.**



# **SECCIÓN 1**

## **¿QUÉ HAY EN LA CAJA?**

**TB6000PRO**

---

**Manual de Usuario**

---

# **SECCIÓN 2**

## **DESCRIPCIÓN GENERAL DE PRODUCTOS Y DESCARGA DE SOFTWARE**

### **Resúmenes de productos**

---

1. 6 Modos de carga de la batería: bajo el modo independiente, TB6000Pro le proporciona 6 modos diferentes de 12V/6A Normal, 6V/3A Normal, 12V/3A Bajo, 12V/6A Batería de iones de litio, 12V/1A Reparación, 12V/6A Suministro. (Consulte la Figura 2.1.1) Una vez que el cargador esté conectado al teléfono a través de BT, puede personalizar el proceso de carga y los parámetros. (Para más detalles, consulte la Sección 3)

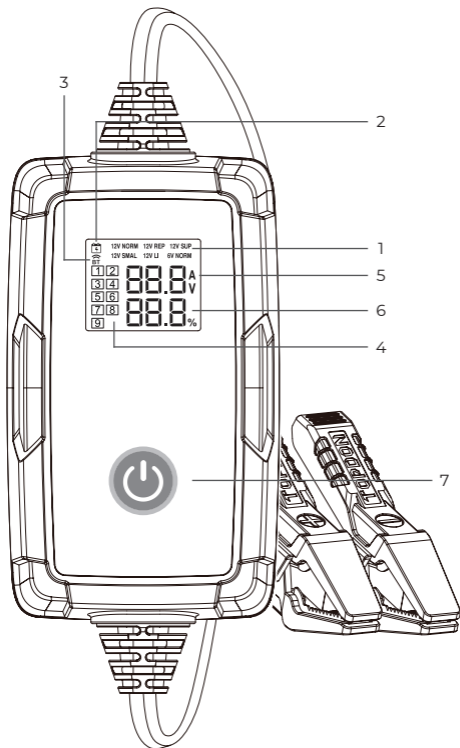


Figura 2.11

2. Indicador de estado de carga: Una vez que el adaptador esté conectado al enchufe y ha confirmado el modo de carga, el indicador se iluminará y permanecerá quieto, de lo contrario permanece apagado.
  - *Desenchufe el adaptador antes de realizar las pruebas de batería y asegúrese de que las abrazaderas estén conectadas correctamente a los terminales de la batería.*
3. Indicador de Estado de Conexión Bluetooth: si el TB6000Pro está en modo independiente y no está emparejado con ningún teléfono, el indicador Bluetooth seguirá parpadeando. Después del emparejamiento, el indicador permanece inmóvil.
4. Indicador de Paso de Carga: Ésto muestra exactamente dónde está en los nueve pasos de carga.
5. Tensión y Corriente de Carga en tiempo real: ésto muestra la corriente y tensión de carga en tiempo real. Este parámetro se actualiza cada 2 segundos. Cuando ocurran los siguientes errores, mostrará el código de error correspondiente:
  - Er1: Cortocircuito o polaridad inversa
  - Er2: Sobretemperatura
  - Er3: Tiempo de espera de carga
  - Er4: La batería está dañada, cambie al modo de suministro de 12V para intentar recuperar la batería.
  - Er5: Modo incorrecto, seleccione el modo de carga de 12V.
6. Potencia Residual Actual
7. Botón de Cambio de Modo: En modo independiente, usted puede pulsar el botón para cambiar el modo de carga. El modo preseleccionado seguirá parpadeando. Pulse dos veces seguidas para iniciar la carga.

## ¿Cómo puede Descargar TB6000Pro y Conectarlo a Su Teléfono?

---

- Por favor, encienda Bluetooth antes de establecer una conexión.
  - SÓLO PUEDE CONFIGURAR EL BLUETOOTH EN LA APLICACIÓN TB6000Pro
1. Para el iPhone, visite la Tienda de Aplicaciones y busque TB6000Pro.
  2. Para Android, visite Google Play y busque TB6000Pro.
  3. Para conectar su teléfono a TB6000Pro a través de Bluetooth, debe encenderlo en la Configuración.
  4. O puedes activar Bluetooth en el Centro de Control o en el Panel de Notificación.
  5. Abra la aplicación TB6000Pro y toque el icono de Bluetooth para establecer la conexión con la unidad.

## **SECCIÓN 3**

### **CÓMO CAMBIAR LA BATERÍA**

Para los seis modos de carga, consulte la siguiente tabla (Figura 3.1.1).

<b>Modo</b>	<b>Voltaje Máx.</b>	<b>Definición</b>
12V/6A Normal	14.2V	Carga baterías húmedas, gel, MF, Cal, EFB y AGM de 12V a través de una carga inteligente de 9 pasos.
6V/3A Normal	7.1V	Carga baterías húmedas, gel, MF, Cal, EFB y AGM de 6V a través de una carga inteligente de 9 pasos.
12V/3A Bajo	14.2V	Carga baterías húmedas, gel, MF, Cal, EFB y AGM de 12V con una pequeña capacidad de hasta 50Ah a través de una carga inteligente de 9 pasos.
12V/6A Batería de iones de litio	14.6V	Carga baterías de iones de litio de 12V, incluido el fosfato de hierro y litio (LiFePO4).
12V/1A Reparación	14.2V	Repara baterías viejas o sulfatadas a través de pequeña corriente y corriente de pulso.
12V/6A Suministro	13.5V	Proporcione un suministro de salida de un voltaje constante de 13,5V y una corriente máxima de 6A (81W). Si la batería está dañada o se informa un error Er4, puede seleccionar este modo para recuperar la carga de la batería.

Figura 3.1.1

Para una Carga Inteligente de 9 pasos, consulte la figura 3.1.2.

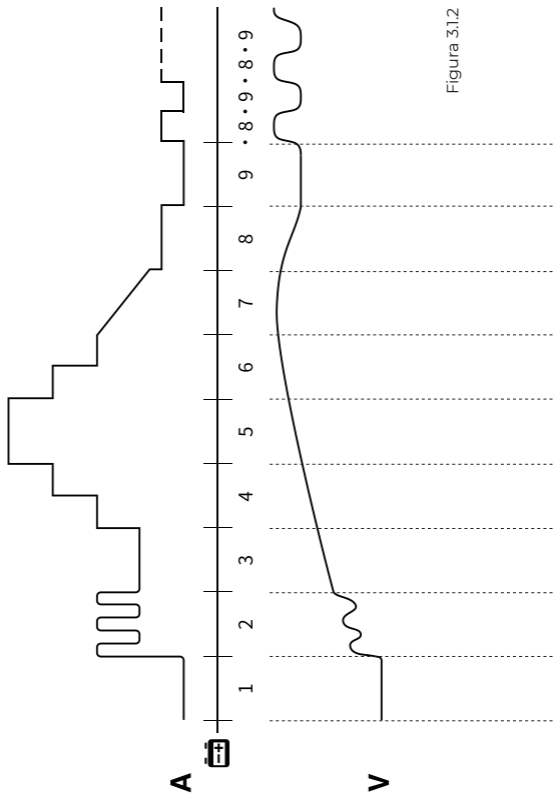


Figura 3.1.2

<b>12V/6A Normal</b>	>2A OK	2-10.2V 1.5-3A	10.2-11.8V 1.5A	11.8V 1.5-4.5A	11.8-13.5V 6A	13.5-14.0V 4.5-3A	14.0V 3-1.5A	14.0-14.2V 0.8A	14.2-12.8V 0A	14.2-12.8V.. 0A-0.8A...
<b>12V/3A Bajo</b>	>2A OK	2-10.2V 0.8-1.5A	10.2-11.8V 0.8A	11.8V 0.8-2.3A	11.8-13.5V 3A	13.5-14.0V 2.3-1.5A	14.0V 1.5-0.8A	14.0-14.2V 0.4A	14.2-12.8V 0A	14.2-12.8V.. 0A-0.4A...
<b>6V/3A Normal</b>	>2A OK	2-5.1V 0.8-1.5A	5.1-5.9V 0.8A	5.9V 0.8-2.3A	5.9-6.8V 3A	6.8-7.0V 2.3-1.5A	7.0V 1.5-0.8A	7.0-7.1V 0.4A	7.1-6.4V 0A	7.1-6.4V.. 0A-0.4A...
<b>12V/1A Reparación</b>	>2A OK				2-14.2V 1A			14.2V 0-1A 2h Max	-	-
<b>12V/6A Batería de iones de litio</b>	>2A OK	-	2-10.6V 1.5A	10.6V 1.5-4.5A	10.6-13.9V 6A	13.9-14.6V 4.5-3A	14.6V 0.75A-0A			
<b>12V/6A Suministro</b>										13.5V 6A MAX

1. Comprobar el estado inicial, el voltaje, el estado de carga y el estado de salud de la batería antes de cargar para asegurar la estabilidad de la batería.
2. Cargar la batería con corriente de pulso para descomponer el sulfato acumulado con el tiempo en la batería envejecida y prolongar la vida útil de la batería.
3. Use una pequeña corriente para cargar la batería y prepararse para una gran corriente.
4. Cargar con corriente constante en tres etapas, aumentando gradualmente para optimizar la carga.
5. Cargar la batería con corriente predeterminada hasta que alcance el 80%.
6. Cargar lentamente la batería hasta que alcance el 90%.
7. Mantener el voltaje en el valor predeterminado hasta que la corriente de carga caiga al 12,5% del valor máximo y continuar cargando al 95%.
8. Cargar al 12,5% de la corriente máxima predeterminada hasta que la batería se cargue al 100%.
9. Comprobar si el voltaje está por debajo del valor predeterminado. En caso afirmativo, vuelva al paso 8.

### **Modo de Carga Independiente**

---

1. Cuando TB6000Pro está conectado a la fuente de alimentación, los modos de carga se mantendrán parpadeando. Presione el botón Interruptor de modo para alternar entre los modos.
2. Una vez que haya seleccionado el modo, presione dos veces rápidamente para confirmar el modo de carga.



3. Después de la confirmación, iniciará automáticamente el proceso de carga del Paso uno.

## **Modo de Carga Bluetooth**

---

1. Una vez que haya confirmado que los pasos de preparación están realizados, conecte el adaptador a una toma de corriente y conecte las abrazaderas a los terminales de la batería.

2. Abra el TB6000Pro, toque Carga Inteligente/Carga Rápida.

- Carga inteligente:

En este modo, la prueba de la batería se realiza automáticamente antes y después de la carga. Simplemente ingrese la información básica de la batería y seleccione el modo de carga deseado, luego toque Comenzar para cargar. Se generará automáticamente un informe de carga durante el proceso.

Nota:

1. La carga inteligente solo se aplica a baterías de plomo-ácido de 12V (las baterías de iones de litio o de 6V no son compatibles).

2. Para garantizar la precisión de los resultados de la prueba, utilice únicamente las abrazaderas de la batería para conectar los terminales de la batería en el modo de carga inteligente.

- Carga Rápida:

En este modo, hay 6 modos de carga disponibles, así como el modo DIY. Usted puede elegir el modo de carga predeterminado para cargar directamente o personalizar el modo de carga según el estado de la batería. (Consulte la figura 3.3.1)



Figura 3.3.1

3. Toque modo de agregar, usted verá la siguiente pantalla. Aquí puede elegir el tipo de batería, reservar el tiempo de carga y ajustar el voltaje y la corriente de carga máxima. (Consulte la Figura 3.3.2)
4. Si el modo DIY no pudo satisfacer sus necesidades, usted puede seleccionar el modo experto. En el que, puede personalizar aún más el modo de carga. Conozca sus requisitos de carga al configurar el voltaje, la corriente, la duración y el número de ciclos para cada paso de carga. (Consulte la Figura 3.3.3)



Figura 3.3.2

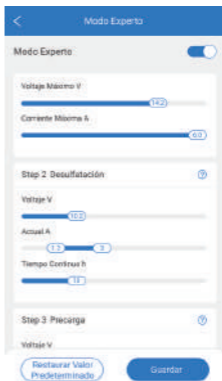


Figura 3.3.3

## SECCIÓN 4

# ¿CÓMO REALIZAR UNA PRUEBA DE BATERÍA?

- La función de prueba de batería solo es aplicable para baterías de ácido de plomo de 6V y 12V.
  - Utilice únicamente las pinzas de la batería para conectar los terminales de la batería cuando realice una prueba de la batería.
1. Toque Gestión de pruebas, luego toque Prueba de batería.

2. Seleccione el tipo de batería correspondiente (consulte la Figura 4.1.1). El tipo de batería específico generalmente se enumera en la etiqueta de la batería.

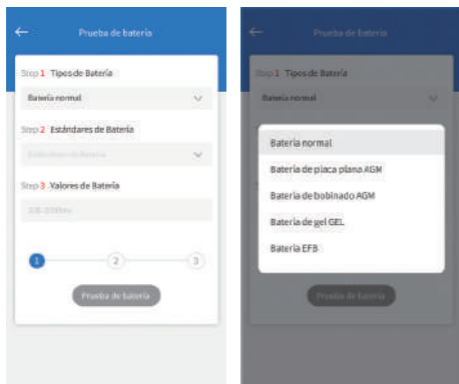


Figura 4.1.1

3. Seleccione el estándar de batería correspondiente (Consulte la Figura 4.1.2). El estándar de batería específico también se enumerará en la etiqueta de la batería.

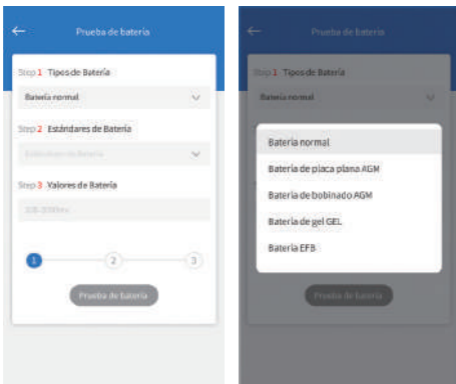


Figura 4.1.2

- **Consulte la siguiente tabla para obtener estándares específicos de baterías y rangos de prueba (Consulte la Figura 4.1.3).**

El probador de batería probará cada batería de acuerdo con el sistema y la calificación seleccionados.

Estándar de Medición	Descripción	Rango de Medición
CCA	Amperios de Arranque en Frío, especificados por SAE y BCI, valor utilizado con mayor frecuencia para arrancar la batería a 0°F (-18 °C)	100-2000
BCI	Estándar Internacional del Consejo de Batería	100-2000
CA	Amperios de Arranque estándar, valor de corriente de arranque efectivo a 0°C	100-2000
MCA	Amperios de Arranque Marino estándar, valor de corriente de arranque efectivo a 0°C	100-2000
JIS	Estándar Industrial Japonés, que se muestra en la batería como una combinación de números y letras, por ejemplo, 55D23,80D26	26A17-245H52
DIN	Estándar del Comité Alemán de la Industria Automotriz	100-1400
IEC	Estándar de la Comisión Electrotécnica Internacional	100-1400
EN	Estándar de la Asociación Europea de la Industria del Automóvil	100-2000
SAE	Estándar de la Sociedad de Ingenieros Automotrices	100-2000
GB	Estándar Nacional de China	30Ah-220Ah

Figura 4.1.3

- Ingrese el valor de la capacidad de la batería y toque la prueba de la batería para iniciar la prueba (Consulte la Figura 4.1.4).

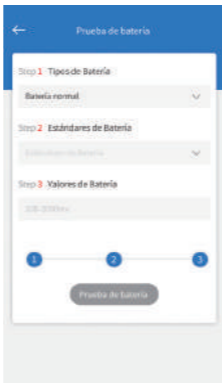


Figura 4.1.4

- Después de varios segundos, se mostrará el resultado de la prueba.
- Para realizar una prueba de arranque o una prueba de carga, siga las instrucciones en pantalla.

## SECCIÓN 5

# PREGUNTAS FRECUENTES

**P:** ¿Cómo seleccionar el modo de carga?

**R:** Por favor, elija el modo de carga de acuerdo al tipo y la capacidad de la batería. Recomendamos que el valor actual no sea superior al 20% de la capacidad de la batería. Por ejemplo, para una batería de 20 Ah, recomendamos una corriente no superior a 4A.

**P:** ¿El TB6000Pro se detendrá automáticamente después de que la batería esté completamente cargada?

**R:** Sí. Tb6000Pro utiliza una carga inteligente de 9 pasos. Cuando la batería está completamente cargada, se detiene automáticamente sin riesgo de sobrecarga. Si la batería sigue conectada, el cargador seguirá monitoreando el Estado de la batería y comenzará a cargar automáticamente cuando el voltaje de la batería esté por debajo de su umbral objetivo.

**P:** ¿Puede el tb6000pro cargar varias baterías al mismo tiempo?

**R:** Sí. Conecte correctamente estas baterías en serie o en paralelo antes de cargar. Si tiene alguna pregunta sobre la conexión, consulte con el fabricante de baterías o póngase en contacto con nosotros para obtener ayuda.

**P:** ¿Es el modo de servicio adecuado para todos los tipos de baterías?

**R:** No, no se puede utilizar en baterías de litio. Sin embargo, es adecuado para todos los tipos de baterías de plomo-ácido.

**P:** ¿Por qué algunas baterías no funcionan correctamente después del mantenimiento?

**R:** Por favor, consulte al fabricante de baterías si la batería está completamente dañada y puede ser



reparada.

**P:** ¿Por qué algunas baterías no se pueden cargar?

**R:** Por lo general, las baterías de 12v con un voltaje inferior a 8,5v se dañan y no pueden cargarse normalmente. Si la batería está dañada o se informa un error Er4, usted puede seleccionar el modo de suministro de 12V para recuperar la carga de la batería.

## SECCIÓN 6 GARANTÍA

Garantía limitada de tres años de TOPDON  
TOPDON garantiza a su comprador original que los productos de la empresa estarán libres de defectos de material y mano de obra durante 36 meses a partir de la fecha de compra (Período de garantía).

Para los defectos reportados durante el período de garantía, TOPDON analizará y confirmará, reparará o reemplazará las piezas o productos defectuosos de acuerdo con su soporte técnico.

TOPDON no será responsable de ningún daño accidental o consecuente causado por el uso, mal uso o instalación del dispositivo.

Algunos Estados no permiten restricciones a la duración de la garantía implícita, por lo que estas restricciones pueden no aplicarse a usted.

Esta garantía limitada no es válida en los siguientes casos:

- Uso indebido, desmontaje, modificación o reparación de tiendas o técnicos no autorizados.
- Manejo de errores e irregularidades operativas.

Nota: Toda la información contenida en este manual se basa en la información más reciente disponible en el momento de su publicación y no garantiza su exactitud o exhaustividad. TOPDON se reserva el derecho de cambiarla en cualquier momento sin previo aviso.



**PORTUGUÊS**

# A SEGURANÇA É SEMPRE A PRIMEIRA PRIORIDADE!

 **LER TODAS AS INSTRUÇÕES ANTES DE USAR**

---



Para a segurança sua, a dos outros, do produto, e do veículo em que está a trabalhar, **POR FAVOR, LEIA CUIDADOSAMENTE E TEJA CERTEZA QUE COMPREENDE TODAS AS INSTRUÇÕES E MENSAGENS DE SEGURANÇA NESTE MANUAL.** Dado que a TB6000Pro é uma combinação de testador de bateria e carregador de bateria, **VOCÊ DEVE LER O MANUAL DE SERVIÇO DO VEÍCULO, AS PRECAUÇÕES ESPECÍFICAS DO FABRICANTE DA BATERIA** e seguir as referidas precauções e instruções antes e durante qualquer procedimento de teste ou serviço.



**OPERAR O TESTE APENAS NUMA ÁREA BEM-VENTILADA,** uma vez que o veículo produz monóxido de carbono, um gás tóxico e venenoso, e material particulado quando o motor está em funcionamento.



**USAR SEMPRE PROTEÇÃO DOS OLHOS DE SEGURANÇA APROVADA** para prevenir danos causados por objetos cortantes e líquidos cáusticos.



**ESTAR SEMPRE ATENTO ÀS PARTES MÓVEIS** (tais como ventoinhas de refrigeração, polias, correias) uma vez que rodam ou giram a alta velocidade quando o motor está em funcionamento.



**NÃO TOQUE PARTES QUENTES DO MOTOR** para prevenir queimaduras graves. As partes do motor ficam muito quentes quando o motor está em funcionamento.



**TROCAR SEMPRE A MUDANÇA PARA P (PARA TRANSMISSÃO AUTOMÁTICA) OU PARA NEUTRO (PARA TRANSMISSÃO MANUAL) E GARANTIR QUE O TRAVÃO DE ESTACIONAMENTO ESTÁ ENGATADO.**



**UTILIZAR SEMPRE UM MULTIMETRO DIGITAL COM PELO MENOS 10 MEGOHMS DE IMPEDÊNCIA** ao realizar testes elétricos em veículos para evitar causar danos a componentes eletrônicos a bordo.



**NÃO FUMAR EM QUALQUER LUGAR PERTO DO VEÍCULO** durante os testes. Os vapores do combustível e da bateria são altamente inflamáveis.



**NÃO CORTAR OS CORDÕES DOS PRODUTOS NEM SUBMERGIR OS MESMOS EM ÁGUA.** O produto é um dispositivo elétrico que pode causar choques e queimaduras graves.



**AVISO:** O ácido da bateria é extremamente corrosivo. Se o ácido entrar em contacto com os seus olhos, **ENXAGUÁ-LOS COMPLETAMENTE COM ÁGUA CORRENTE FRIA DURANTE PELO MENOS 20 MINUTOS E PROCURAR IMEDIATAMENTE CUIDADOS MÉDICOS.** Se o ácido da bateria se agarra à sua pele ou roupa, **LAVA-SE IMEDIATAMENTE COM UMA SOLUÇÃO DE ÁGUA E BEBIDA SODA.**

# **SECÇÃO 1**

## **O QUE ESTÁ NA CAIXA?**

**TB6000Pro**

---

**Manual do Utilizador**

---

# **SECÇÃO 2**

## **PANORÂMICA**

### **DOS PRODUTOS E**

### **DESCARREGAMENTO DE**

### **SOFTWARE**

#### **Visão Geral do Produto**

---

1. 6 Modos de Carregamento de Bateria: No modo autónomo, a TB6000Pro fornece-lhe 6 modos diferentes 12V/6A Norma, 6V/3A Norma, 12V/3A Pequeno, 12V/6A Baterias de lítio-íon, 12V/1A Reparação, 12V/6A Abastecimento. (Veja figura 2.1.1) Uma vez ligado o carregador ao telefone através de BT, pode personalizar o processo de carregamento e os parâmetros. (Para detalhes, consulte a secção 3)

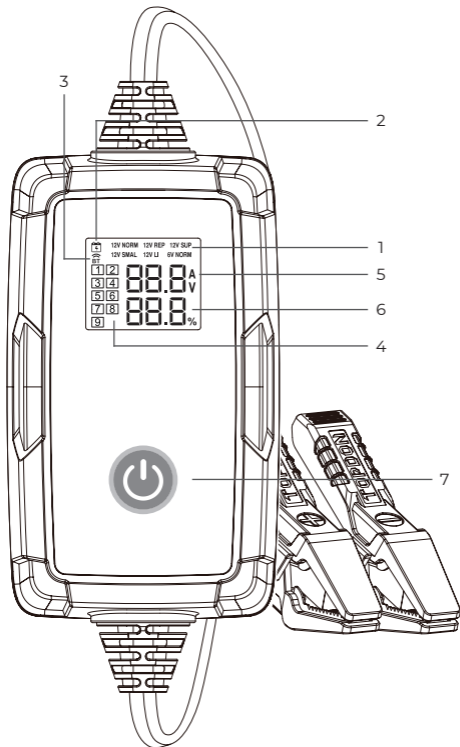


Figura 2.11



2. Indicador do estado de carregamento: Quando o adaptador estiver ligado à tomada e tiver confirmado o modo de carregamento, o indicador acender-se-á e permanecerá imóvel, caso contrário permanece desligado.

- *Desligue o adaptador antes de realizar os testes de bateria e certifique-se de que os grampos estão devidamente ligados aos terminais da bateria.*

3. Indicador do estado da ligação Bluetooth: Se o TB6000Pro estiver em modo autónomo e não estiver emparelhado com nenhum telefone, o indicador Bluetooth continuará a piscar. Uma vez emparelhado, o indicador permanece ainda.

4. Indicador de Passos de Carregamento: Mostra exatamente qual o passo em que se encontra entre os 9 passos de carregamento.

5. Tensão e corrente de carregamento em tempo real: Apresenta-lhe a corrente e a tensão de carregamento em tempo real. O parâmetro atualiza-se a cada 2 segundos.

Quando os seguintes erros ocorrerem, exibirá o código de erro correspondente:

Er1: Curto-circuito ou polaridade inversa

Er2: Sobretemperatura

Er3: Tempo limite de carga

Er4: A bateria está danificada, mudar para o modo de alimentação de 12V para tentar recuperar a bateria.

Er5: Modo errado, por favor seleccionar o modo de carregamento de 12V.

6. Potência Restante da Corrente

7. Botão Interruptor de Modo: Sob o modo autónomo, pode premir o botão para mudar os modos de carregamento. O modo pré-selecionado irá continuar a piscar. Premir duas vezes seguidas para iniciar o carregamento.

## Como descarregar e ligar o TB6000Pro ao seu telefone?

---

- Por favor, ligue o Bluetooth antes de estabelecer a ligação.
  - VOCÊ PODE APENAS ESTABELECEER O BLUETOOTH NO APP TB6000Pro
1. Para o iPhone, por favor vá à AppStore e pesquise TB6000Pro.
  2. Para o Android, por favor vá ao GooglePlay e pesquise o TB6000Pro.
  3. Para ligar o seu telefone ao TB6000Pro via Bluetooth, é necessário que o ligue em Definições.
  4. Ou pode ligar o Bluetooth no Centro de Controlo ou Painel de Notificação.
  5. Abra o APP TB6000Pro e toque no ícone Bluetooth para estabelecer ligação com a unidade.

## SECÇÃO 3 COMO CARREGAR UMA BATERIA?

Para compreender os 6 modos de carregamento, consulte a tabela abaixo (Figura 3.1.1)

<b>Modo</b>	<b>Voltagem Máx.</b>	<b>Definição</b>
12V/6A Norma	14.2V	Carregar baterias 12V Wet, Gel, MF, Cal, EFB, e AGM através de carregamento inteligente em 9 etapas.
6V/3A Norma	7.1V	Carregar baterias 6V Wet, Gel, MF, Cal, EFB, e AGM através de carregamento inteligente de 9 etapas.
12V/3A Pequeno	14.2V	Carregar baterias de 12V Wet, Gel, MF, Cal, EFB, e AGM com uma pequena capacidade até 50Ah através de carregamento inteligente de 9 etapas.
12V/6A Baterias de lítio-íon	14.6V	Carregar baterias de íões de lítio de 12V, incluindo fosfato de lítio de ferro (LiFePO4).
12V/1A Reparação	14.2V	Reparar baterias velhas ou sulfatadas através de pequena corrente e corrente de pulso.
12V/6A Abastecimento	13.5V	Forneça uma tensão de saída constante de 13,5V e uma corrente máxima de 6A(81W). Se a bateria estiver danificada ou se for comunicado um erro Er4, pode seleccionar este modo para recuperar o carregamento da bateria.

Figura 3.1.1

Para compreender os 9 modos de carregamento inteligente, consulte a figura 3.1.2

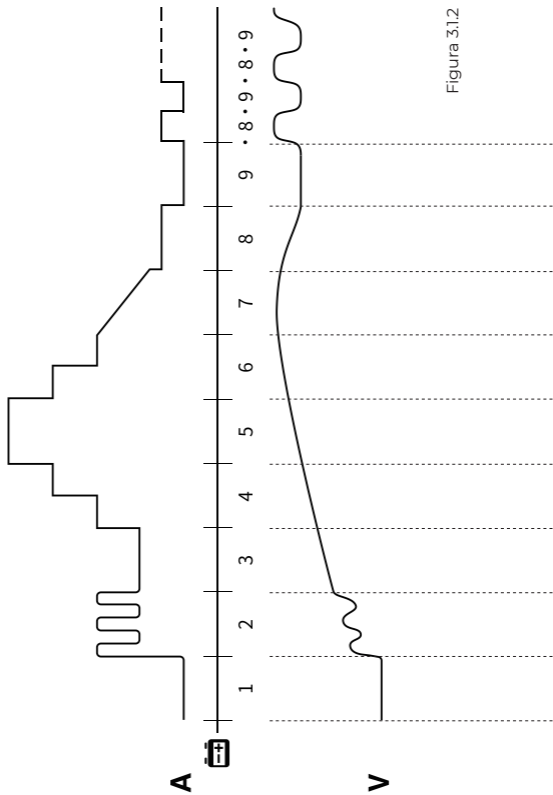


Figura 3.1.2

<b>12V/6A Norma</b>	>2A OK	2-10.2V 1.5-3A	10.2-11.8V 1.5A	11.8V 1.5-4.5A	11.8-13.5V 6A	13.5-14.0V 4.5-3A	14.0V 3-1.5A	14.0-14.2V 0.8A	14.2-12.8V 0A	14.2-12.8V.. 0A-0.8A...	
<b>12V/3A Pequeno</b>	>2A OK	2-10.2V 0.8-1.5A	10.2-11.8V 0.8A	11.8V 0.8-2.3A	11.8-13.5V 3A	13.5-14.0V 2.3-1.5A	14.0V 1.5-0.8A	14.0-14.2V 0.4A	14.2-12.8V 0A	14.2-12.8V.. 0A-0.4A...	
<b>6V/3A Norma</b>	>2A OK	2-5.1V 0.8-1.5A	5.1-5.9V 0.8A	5.9V 0.8-2.3A	5.9-6.8V 3A	6.8-7.0V 2.3-1.5A	7.0V 1.5-0.8A	7.0-7.1V 0.4A	7.1-6.4V 0A	7.1-6.4V.. 0A-0.4A...	
<b>12V/1A Reparação</b>	>2A OK	2-14.2V 1A									14.2V 0-1A 2h Max
<b>12V/6A Baterias de lítio-fon</b>	>2A OK	-	2-10.6V 1.5A	10.6V 1.5-4.5A	10.6-13.9V 6A	13.9-14.6V 4.5-3A	14.6V 0.75A-0A	-			
<b>12V/6A Abaste- -cimento</b>	13.5V 6A MAX										

1. Verificar o estado inicial da bateria, tensão, estado de carga e estado de saúde para assegurar a estabilidade da bateria antes de a carregar.
2. Carregar a bateria com corrente de pulso para quebrar os sulfatos que se acumularam ao longo do tempo na bateria envelhecida para prolongar a sua vida útil.
3. Carregar a bateria com corrente fraca para se preparar para a carga de alta corrente.
4. Carregar a bateria com três fases de corrente constante que aumentam gradualmente para otimizar o carregamento.
5. Carregar a bateria com corrente predefinida até atingir 80%.
6. Carregar a bateria com corrente trickle até atingir os 90%.
7. Manter a tensão no valor pré-definido até a corrente de carga cair para 12,5% do valor máximo e continuar a carregar a energia até 95%.
8. Carregar a 12,5% da corrente máxima pré-definida até a bateria ser carregada a 100%.
9. Verificar se a tensão é inferior ao valor pré-definido. Se for voltar ao passo 8.

## **Modo de Encantamento Autônomo**

---

1. Quando o TB6000Pro é ligado à fonte de alimentação, os modos de carregamento continuarão a piscar. Premir o botão de mudança de modo para alternar entre os modos.
2. Uma vez que o modo tenha sido selecionado, prima duas vezes rapidamente para confirmar o modo de carregamento.
3. Após a confirmação, iniciará automaticamente o processo de carregamento a partir do primeiro passo.

## **Modo de Carregamento Bluetooth**

---

1. Uma vez que tenha confirmado as etapas de preparação, ligue o adaptador a uma tomada de parede e prenda os grampos aos terminais da bateria.
2. Abra o TB6000Pro, toque no botão de Carregamento Inteligente/Carregamento Rápido.
  - Carregamento Inteligente:  
Sob este modo, o teste de bateria é automaticamente realizado antes e depois do carregamento. Basta introduzir a informação básica da bateria e seleccionar o modo de carregamento desejado, depois tocar em Iniciar o carregamento. Será gerado automaticamente um relatório de carga durante o processo.

### **Nota:**

1. O carregamento inteligente só é aplicável a baterias de chumbo-ácido de 12V (baterias de íões de lítio ou 6V não são suportadas).

2. Para garantir a precisão dos resultados dos testes, utilizar apenas os grampos de bateria para ligar aos terminais da bateria em modo de Carregamento Inteligente.

•Carregamento rápido:

Sob este modo, estão disponíveis 6 modos de carregamento, bem como o modo de bricolage. É possível escolher o modo de carregamento

predefinido para carregar diretamente, ou personalizar o modo de carregamento de acordo com o estado da bateria. (Veja figura 3.3.1)



Figura 3.3.1

3. Toque em Adicionar Modo, verá o seguinte ecrã. Aqui pode escolher o tipo de bateria, reservar o tempo de carga, e ajustar a tensão e corrente máxima de carga. (Ver figura 3.3.2)
4. Se o Modo de DIY não puder satisfazer as suas necessidades, pode seleccionar o Modo Especialista. No qual, pode personalizar ainda mais o modo de carregamento. Satisfaça as suas necessidades de carregamento, definindo a tensão, corrente, duração e número de ciclos para cada etapa de carregamento. (Ver figura 3.3.3)





Figura 3.3.2



Figura 3.3.3

## SECÇÃO 4 COMO REALIZAR UM TESTE DE BATERIA?

- A função de teste de baterias só é aplicável a baterias de chumbo-ácido de 6V e 12V.
  - Utilize apenas os grampos de bateria para ligar aos terminais da bateria ao realizar um teste de bateria.
1. Toque em Gestão de Teste, depois em Teste de Bateria.

2. Seleccione o tipo de bateria correspondente (Veja figura 4.1.1). O tipo específico de bateria é normalmente listado na etiqueta da bateria.

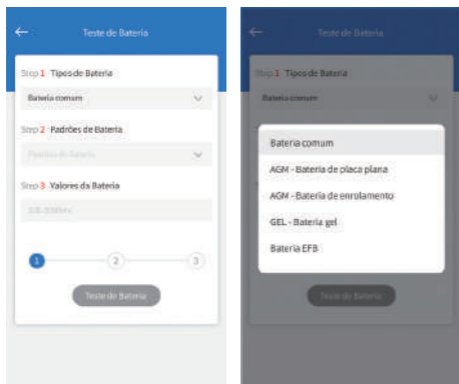


Figura 4.1.1

3. Selecione o padrão de bateria correspondente (Veja figura 4.1.2). O padrão específico da bateria será também listada na etiqueta da bateria.

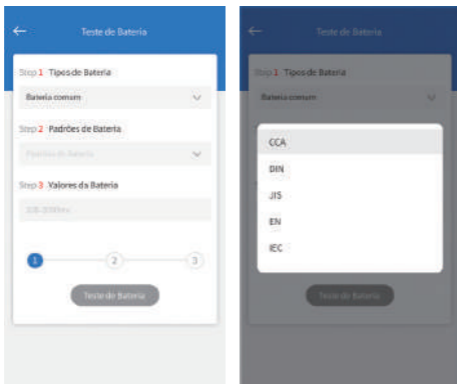


Figura 4.1.2

- **Consulte a tabela seguinte para normas de bateria e intervalos de teste específicos (Veja figura 4.1.3).**

O testador de bateria testará cada bateria de acordo com o sistema selecionado e a classificação.

Padrão de medição	Descrição	Faixa de medição
CCA	Amperes de manivela a frio, especificados pela SAE & BCI, valor mais freqüentemente utilizado para iniciar a bateria a 0°F(-18°C)	100-2000
BCI	Padrão Internacional do Conselho de Baterias	100-2000
CA	Padrão de Amperes de manivela, valor eficaz da corrente inicial a 0°C	100-2000
MCA	Padrão de Amperes de manivela marítima, valor efetivo da corrente inicial a 0°C	100-2000
JIS	Padrão industrial japonês, exibido na bateria como combinação dos números e letras, por exemplo, 55D23,80D26	26A17-245H52
DIN	Padrão do Comitê da Indústria Automobilística Alemã	100-1400
IEC	Padrão da Comissão Eletrotécnica Internacional	100-1400
EN	Padrão da Associação da Indústria Automobilística Européia	100-2000
SAE	Padrão da Sociedade de Engenheiros Automotivos	100-2000
GB	Padrão Nacional da China	30Ah-220Ah

Figura 4.1.3

- Introduza o valor da capacidade de bateria e toque em Teste de Bateria para iniciar o teste (Veja figura 4.1.4).

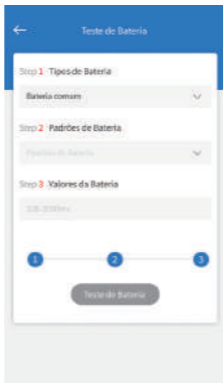


Figura 4.1.4

- Após vários segundos, o resultado do teste será afixado.
- Para realizar um teste de arranque ou de carga, por favor siga as instruções no ecrã.

## SECÇÃO 5

### FAQ

- P:** Como seleccionar o modo de carregamento?
- R:** Selecciono o modo de carregamento de acordo com o tipo e capacidade da bateria. Recomendamos que o valor actual não deve ser superior a 20% do valor da capacidade da bateria. Por exemplo, para uma bateria de 20Ah, recomendamos que a corrente não seja superior a 4A.
- P:** TB6000Pro irá parar de carregar automaticamente depois de a bateria estar completamente carregada?
- R:** Sim. TB6000Pro adopta um carregamento inteligente de 9 etapas. Quando a bateria estiver completamente carregada, irá parar automaticamente de carregar sem o risco de sobrecarga. Se mesmo assim deixar a bateria ligada, o carregador continuará a monitorizar o estado da bateria e começará automaticamente a carregar quando a voltagem da bateria cair abaixo do seu limiar alvo.
- P:** TB6000Pro pode carregar várias baterias simultaneamente?
- R:** Sim. Por favor, ligue corretamente estas baterias em série ou em paralelo antes de as carregar. Se tiver dúvidas sobre a ligação, pode consultar o fabricante da bateria ou contactar-nos para obter ajuda.
- P:** O modo REPAIR será aplicável a todos os tipos de bateria?
- R:** Não, não pode ser utilizado para baterias de lítio. No entanto, é aplicável a todos os tipos de baterias de chumbo-ácido.
- P:** Porque é que algumas baterias não podem ser usadas normalmente após reparação?
- R:** Por favor consulte o fabricante da bateria se a bateria está completamente danificada e se pode ser

reparada.

- P:** Porque é que algumas baterias não podem ser carregadas?
- R:** Geralmente, uma bateria de 12V com uma voltagem inferior a 8,5V é danificada e não pode ser carregada normalmente. Se a bateria estiver danificada ou se for comunicado um erro Er4, pode seleccionar o modo de alimentação de 12V para recuperar o carregamento da bateria.

## SECÇÃO 6

# GARANTIA

Garantia limitada de três anos da TOPDON

A TOPDON garante ao seu comprador original que os produtos da empresa estarão livres de defeitos de material e mão de obra por 36 meses a partir da data de compra (Período de Garantia).

Para os defeitos comunicados durante o Período de Garantia, TOPDON reparará ou substituirá a peça ou produto defeituoso de acordo com a sua análise e confirmação de suporte técnico.

TOPDON não será responsável por quaisquer danos incidentais ou consequentes decorrentes do uso do dispositivo, má utilização, ou montagem do dispositivo.

Alguns estados não permitem limitações quanto à duração de uma garantia implícita, pelo que as limitações acima mencionadas podem não se aplicar ao utilizador.

Esta garantia limitada é nula sob as seguintes condições:

- Utilização indevida, desmontada, alterada ou reparada por lojas ou técnicos não autorizados.
- Manuseamento descuidado e violação da operação.

Aviso: Toda a informação neste manual é baseada na última informação disponível no momento da publicação e não pode ser dada qualquer garantia pela sua exatidão ou integralidade. TOPDON reserva-se o direito de fazer alterações em qualquer altura sem aviso prévio.





**ITALIANO**

# LA SICUREZZA È SEMPRE LA PRIMA PRIORITÀ!



## LEGGERE TUTTE LE ISTRUZIONI PRIMA DELL'USO

---



Per la vostra sicurezza, quella degli altri, del prodotto e del veicolo su cui state lavorando, **LEGGERE ATTENTAMENTE E ACCERTARSI DI COMPRENDERE COMPLETAMENTE TUTTE LE ISTRUZIONI E I MESSAGGI DI SICUREZZA CONTENUTI IN QUESTO MANUALE.** Dato che il TB6000Pro è una combinazione di tester batteria e caricabatteria, **È NECESSARIO LEGGERE IL MANUALE DI SERVIZIO DEL VEICOLO, LE PRECAUZIONI SPECIFICHE DEL PRODUTTORE DELLA BATTERIA PER LA BATTERIA** e seguire tali precauzioni e istruzioni prima e durante qualsiasi procedura di prova o servizio.



**ESEGUIRE IL TEST SOLO IN UN'AREA BEN VENTILATA** poiché il veicolo produce monossido di carbonio, un gas tossico e velenoso, e particolato quando il motore è in funzione.



**INDOSSARE SEMPRE PROTEZIONE OCCHI APPROVATA** per evitare danni da oggetti appuntiti e liquidi caustici.



**FARE SEMPRE ATTENZIONE ALLE PARTI IN MOVIMENTO** (come ventole del liquido di raffreddamento, pulegge, cinghie) poiché girano o girano ad alta velocità quando il motore è in funzione.



**NON TOCCARE LE PARTI CALDE DEL MOTORE** per evitare gravi ustioni. Le parti del motore diventano molto calde quando il motore è in funzione.



**PORTARE SEMPRE LA MARCIA IN P (PER CAMBIO AUTOMATICO) O IN FOLLE (PER CAMBIO MANUALE) E ASSICURARSI CHE IL FRENO DI STAZIONAMENTO SIA INSERITO.**



**UTILIZZARE SEMPRE UN MULTIMETRO DIGITALE CON ALMENO 10 MEGOHM DI IMPEDENZA** quando si effettuano prove elettriche sui veicoli per evitare di danneggiare i componenti elettronici di bordo.



**VIETATO FUMARE OVUNQUE VICINO AL VEICOLO** durante il test. Il carburante e i vapori della batteria sono altamente infiammabili.



**NON TAGLIARE I CAVI DEI PRODOTTI E NON IMMERGERLI IN ACQUA.** Il prodotto è un dispositivo elettrico che può causare scosse elettriche e gravi ustioni.



**ATTENZIONE:** L'acido della batteria è estremamente corrosivo. Se l'acido viene a contatto con gli occhi, **FARLI ACCURATAMENTE CON ACQUA CORRENTE FREDDA PER ALMENO 20 MINUTI E CHIEDERE IMMEDIATAMENTE UN MEDICO.** Se l'acido della batteria viene a contatto con la pelle o con i vestiti, **LAVARE IMMEDIATAMENTE CON UNA SOLUZIONE DI ACQUA E Bicarbonato di sodio.**

# **SEZIONE 1**

## **COSA C'È NELLA SCATOLA?**

**TB6000Pro**

---

**Manuale d'uso**

---

# **SEZIONE 2**

## **PANORAMICA DEL PRODOTTO E DOWNLOAD DEL SOFTWARE**

### **Panoramica dei prodotti**

---

1. 6 modalità di ricarica della batteria: nella modalità autonoma, TB6000Pro offre 6 diverse modalità Standard 12V/6A, Standard 6V/3A, Piccola 12V/3A , Batteria agli ioni di litio 12V/6A, Riparazione 12V/1A , Alimentazione 12V/6A. (Vedere figura 2.1.1) Una volta che il caricabatterie è collegato al telefono tramite BT, è possibile personalizzare il processo di ricarica ei parametri. (Per i dettagli, fare riferimento alla Sezione 3)

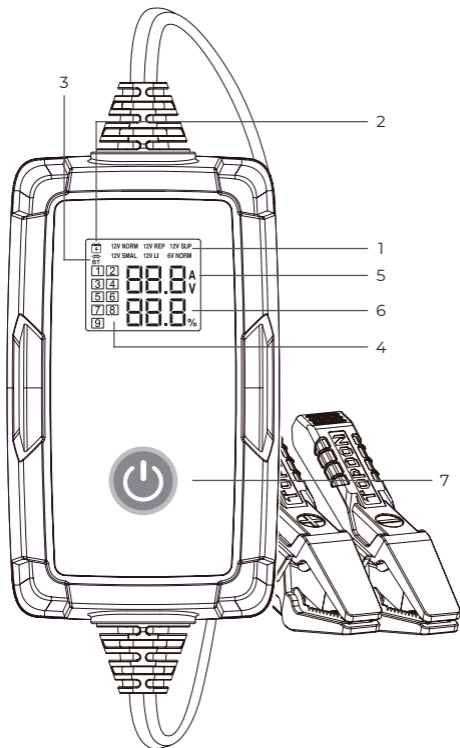


Figura 2.11

2. Indicatore dello stato di carica: una volta che l'adattatore è collegato alla presa e hai confermato la modalità di carica, l'indicatore si accende e rimane fermo, altrimenti rimane spento.
  - *Scollegare l'adattatore prima di eseguire i test della batteria e assicurarsi che i morsetti siano collegati correttamente ai terminali della batteria.*
3. Indicatore di stato della connessione Bluetooth: se il TB6000Pro è in modalità autonoma e non è associato a nessun telefono, l'indicatore Bluetooth continuerà a lampeggiare. Una volta accoppiato, l'indicatore rimane fermo.
4. Indicatore delle fasi di ricarica: ti mostra esattamente in quale fase ti trovi tra le 9 fasi di ricarica.
5. Tensione e corrente di carica in tempo reale: ti presenta la corrente e la tensione di carica in tempo reale. Il parametro si aggiorna ogni 2 secondi. Quando si verificano i seguenti errori, viene visualizzato il codice di errore corrispondente:
  - Er1: cortocircuito o inversione di polarità
  - Er2: Sovratemperatura
  - Er3: Timeout di carica
  - Er4: La batteria è danneggiata, passare alla modalità di alimentazione a 12 V per tentare di recuperare la batteria.
  - Er5: Modalità errata, selezionare la modalità di carica a 12 V.
6. Potenza residua corrente
7. Pulsante di commutazione della modalità: in modalità autonoma, è possibile premere il pulsante per cambiare le modalità di ricarica. La modalità preselezionata continuerà a lampeggiare. Premere due volte di seguito per avviare la ricarica.

## **Come scaricare e collegare il TB6000Pro al telefono?**

---

- Attivare il Bluetooth prima di configurare la connessione.
  - PUOI CONFIGURARE IL BLUETOOTH SOLO NELL'APP TB6000Pro
1. Per l'iPhone, andare su AppStore e cerca TB6000Pro.
  2. Per Android, andare su GooglePlay e cercare TB6000Pro.
  3. Per connettere il telefono con TB6000Pro tramite Bluetooth è necessario accenderlo nelle Impostazioni.
  4. Oppure puoi attivare il Bluetooth nel Centro di controllo o nel pannello delle notifiche.
  5. Aprire l'APP TB6000Pro e toccare l'icona Bluetooth per stabilire la connessione con l'unità.

## **SEZIONE 3 COME CARICARE UNA BATTERIA?**

Per comprendere le 6 modalità di ricarica fare riferimento alla tabella sottostante (Figura 3.1.1)



<b>Modo</b>	<b>Voltagem Máx.</b>	<b>Definição</b>
Standard 12V/6 A	14.2V	Carica batterie da 12V a umido, Gel, MF, Cal, EFB e AGM attraverso una ricarica intelligente in 9 fasi.
Standard 6V/3A	7.1V	Carica batterie da 6V a umido, Gel, MF, Cal, EFB e AGM attraverso una ricarica intelligente in 9 fasi.
Piccola 12V/3A	14.2V	Carica batterie da 12V a umido, Gel, MF, Cal, EFB e AGM con una piccola capacità fino a 50 Ah grazie alla ricarica intelligente in 9 fasi.
Batteria agli ioni di litio 12V/6A	14.6V	Carica batterie agli ioni di litio da 12V, incluso il litio ferro fosfato (LiFePO4).
Ripara- zione 12V/1A	14.2V	Ripara batterie vecchie o solfatate con corrente ridotta e corrente a impulsi.
Aliment- azione 12V/6A	13.5V	Fornisce un'alimentazione in uscita con una tensione costante di 13,5 V e una corrente massima di 6 A (81 W). Se la batteria è danneggiata o viene segnalato un errore Er4, è possibile selezionare questa modalità per recuperare la carica della batteria.

Figura 3.1.1

Per comprendere la ricarica intelligente in 9 fasi, fare riferimento alla figura 3.1.2

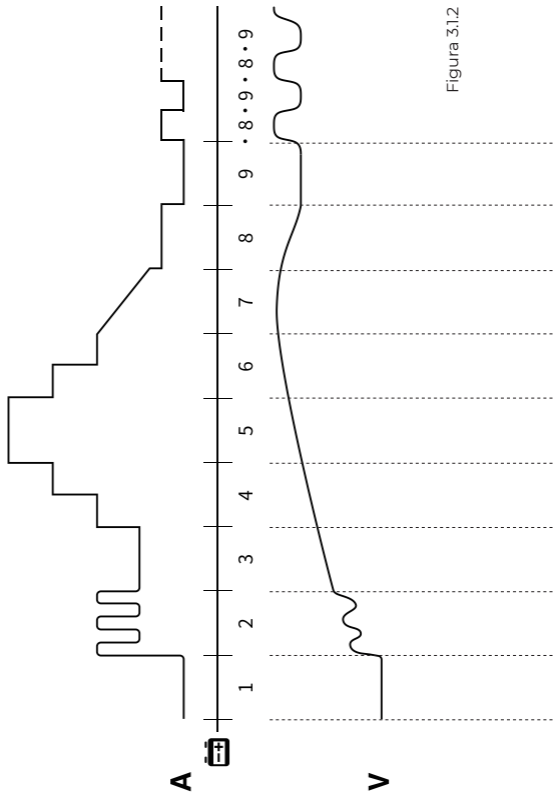


Figura 3.1.2

<b>Standard 12V/6A</b>	>2A OK	2-10.2V 1.5-3A	10.2-11.8V 1.5A	11.8V 1.5-4.5A	11.8-13.5V 6A	13.5-14.0V 4.5-3A	14.0V 3-1.5A	14.0-14.2V 0.8A	14.2-12.8V 0A	14.2-12.8V.. 0A-0.8A...
<b>Piccola 12V/3A</b>	>2A OK	2-10.2V 0.8-1.5A	10.2-11.8V 0.8A	11.8V 0.8-2.3A	11.8-13.5V 3A	13.5-14.0V 2.3-1.5A	14.0V 1.5-0.8A	14.0-14.2V 0.4A	14.2-12.8V 0A	14.2-12.8V.. 0A-0.4A...
<b>Standard 6V/3A</b>	>2A OK	2-5.1V 0.8-1.5A	5.1-5.9V 0.8A	5.9V 0.8-2.3A	5.9-6.8V 3A	6.8-7.0V 2.3-1.5A	7.0V 1.5-0.8A	7.0-7.1V 0.4A	7.1-6.4V 0A	7.1-6.4V.. 0A-0.4A...
<b>Ripara- zione 12V/1A</b>	>2A OK	2-14.2V 1A								
<b>Batteria agli ioni di litio 12V/6A</b>	>2A OK	-	2-10.6V 1.5A	10.6V 1.5-4.5A	10.6-13.9V 6A	13.9-14.6V 4.5-3A	14.6V 0.75A-0A	-		
<b>Aliment- azione 12V/6A</b>	13.5V 6A MAX									

1. Controllare lo stato iniziale, la tensione, lo stato di carica e lo stato di salute della batteria per garantire la stabilità della batteria prima di caricarla.
2. Caricare la batteria con corrente a impulsi per abbattere i solfati che si sono accumulati nel tempo nella batteria che invecchia per prolungarne la durata.
3. Caricare la batteria con corrente bassa per prepararsi alla carica ad alta corrente.
4. Caricare la batteria con tre stadi di corrente costante che aumentano gradualmente per ottimizzare la carica.
5. Caricare la batteria con la corrente preimpostata fino a raggiungere l'80%.
6. Carica di mantenimento la batteria fino a raggiungere il 90%.
7. Mantenere la tensione al valore preimpostato finché la corrente di carica non scende al 12,5% del valore massimo e continuare a caricare la potenza al 95%.
8. Caricare al 12,5% della corrente massima preimpostata fino a quando la batteria non viene caricata al 100%.
9. Verificare se la tensione è inferiore al valore preimpostato. Se è tornare al passaggio 8.

## **Modalità di ricarica autonoma**

---

1. Quando TB6000Pro è collegato all'alimentazione, le modalità di ricarica continueranno a lampeggiare. Premere il pulsante di commutazione modalità per passare da una modalità all'altra.
2. Dopo aver selezionato la modalità, premere due volte rapidamente per confermare la modalità di ricarica.
3. Dopo la conferma, avvierà automaticamente il processo di ricarica dal passaggio uno.

## **Modalità di ricarica Bluetooth**

---

1. Dopo aver verificato che i passaggi di preparazione sono stati completati, collegare l'adattatore a una presa a muro e collegare i morsetti ai terminali della batteria.
2. Aprire il TB6000Pro, toccare Ricarica Intelligente/Ricarica Rapida.
  - Ricarica intelligente:  
In questa modalità, il test della batteria viene eseguito automaticamente prima e dopo la carica. È sufficiente inserire le informazioni di base sulla batteria e selezionare la modalità di carica desiderata, quindi toccare Avvia carica. Durante il processo verrà generato automaticamente un rapporto di carica.

### **Nota:**

1. La ricarica intelligente è applicabile solo alle batterie al piombo-acido da 12 V (le batterie agli ioni di litio o da 6 V non sono supportate).
2. Per garantire l'accuratezza dei risultati dei test, utilizzare solo i morsetti della batteria per collegarsi ai terminali della batteria in modalità Ricarica Intelligente.
  - Ricarica rapida:  
In questa modalità sono disponibili 6 modalità di carica, oltre alla modalità fai da te". È possibile

scegliere la modalità di carica preimpostata per caricare direttamente o personalizzare la modalità di carica in base alle condizioni della batteria. (Vedere la figura 3.3.1).



Figura 3.3.1

3. Tocca Aggiungi modalità, vedrai la seguente schermata. Qui puoi scegliere il tipo di batteria, riservare il tempo di ricarica e regolare la tensione e la corrente di carica massime. (Vedi figura 3.3.2)
4. Se la modalità fai-da-te non soddisfa le tue esigenze, puoi selezionare la modalità esperto. In cui puoi personalizzare ulteriormente la modalità di ricarica. Soddisfa i tuoi requisiti di ricarica impostando la tensione, la corrente, la durata e il numero di cicli per ogni fase di ricarica. (Vedi figura 3.3.3)



Figura 3.3.2



Figura 3.3.3

## SEZIONE 4 COME CONDURRE UN TEST DELLA BATTERIA?

- La funzione di test della batteria è applicabile solo alle batterie al piombo-acido da 6V e 12V.
- Quando si esegue un test della batteria, utilizzare solo i morsetti della batteria per collegarli ai terminali della stessa.

1. Toccare Gestione test, quindi toccare Test batteria.

2. Selezionare il tipo di batteria corrispondente (vedi figura 4.1.1). Il tipo specifico di batteria è solitamente elencato sull'etichetta della batteria.

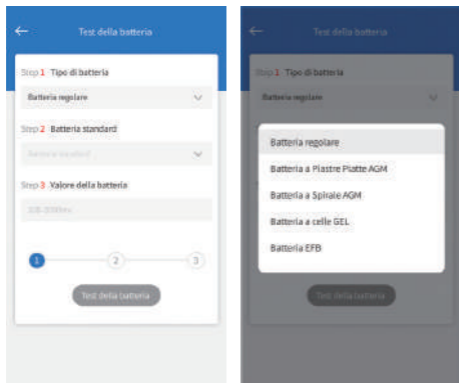


Figura 4.1.1



3. Selezionare lo standard della batteria corrispondente (vedere la figura 4.1.2). Lo standard specifico della batteria sarà anche elencato sull'etichetta della batteria.

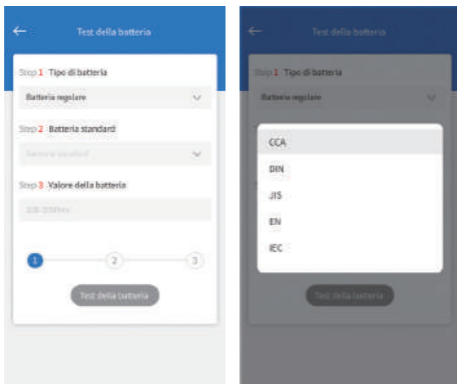


Figura 4.1.2

- **Fare riferimento alla tabella seguente per gli standard specifici della batteria e gli intervalli di test (vedere la figura 4.1.3).**

Il tester della batteria testerà ciascuna batteria in base al sistema e alla classificazione selezionati.

Standard di misurazione	Descrizione	Intervallo di misurazione
CCA	Cold Cranking Amps (ampere di avviamento a freddo), specificato da SAE & BCI, il valore più frequentemente usato per la batteria di avviamento a 0°F(-18°C)	100-2000
BCI	Standard del Battery Council International (Consiglio della batteria internazionale)	100-2000
CA	Standard de Cranking Amps, valore effettivo della corrente di avviamento a 0°C	100-2000
MCA	Standard de Marine Cranking Amps (ampere di avviamento marino), valore effettivo della corrente di avviamento a 0°C	100-2000
JIS	Japan Industrial Standard, visualizzato sulla batteria come combinazione di numeri e lettere, ad esempio, 55D23,80D26	26A17-245H52
DIN	Standard del comitato tedesco per l'industria automobilistica	100-1400
IEC	Standard del International Electrotechnical Commission (Commissione Elettrotecnica Internazionale)	100-1400
EN	Standard del European Automobile Industry Association (Associazione Europea dell'Industria Automobilistica)	100-2000
SAE	Standard de Society of Automotive Engineers (Società degli ingegneri automobilistici)	100-2000
GB	Standard nazionale cinese	30Ah-220Ah

Figura 4.1.3

- Immettere il valore della capacità della batteria e toccare Test della batteria per avviare il test (vedere la figura 4.1.4).

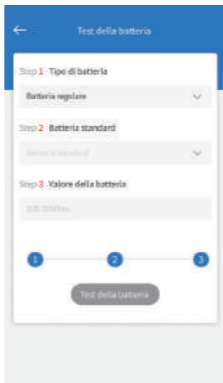


Figura 4.1.4

- Dopo alcuni secondi, verrà visualizzato il risultato del test.
- Per eseguire un test di avviamento o di carica, seguire le istruzioni visualizzate.

## SEZIONE 5

### DOMANDE FREQUENTI

- D:** Come selezionare la modalità di ricarica?
- R:** Selezionare la modalità di ricarica in base al tipo e alla capacità della batteria. Si consiglia che il valore della corrente non sia superiore al 20% del valore della capacità della batteria. Ad esempio, per una batteria da 20Ah, consigliamo che la corrente non sia superiore a 4A.
- D:** TB6000Pro smetterà di caricarsi automaticamente dopo che la batteria è completamente carica?
- R:** Sì. TB6000Pro adotta la ricarica intelligente in 9 fasi. Quando la batteria è completamente carica, smetterà automaticamente di caricarsi senza il rischio di sovraccarico. Se si lascia ancora la batteria collegata, il caricabatterie continuerà a monitorare lo stato della batteria e inizierà automaticamente a caricarsi quando la tensione della batteria scende al di sotto della soglia target.
- D:** TB6000Pro può caricare più batterie contemporaneamente?
- R:** Sì. Si prega di collegare correttamente queste batterie in serie o in parallelo prima della ricarica. In caso di domande sulla connessione, è possibile consultare il produttore della batteria o contattarci per assistenza.
- D:** La modalità RIPARAZIONE è applicabile a tutti i tipi di batteria?
- R:** No, non può essere utilizzato per le batterie al litio. Tuttavia, è applicabile a tutti i tipi di batterie al piombo.
- D:** Perché alcune batterie non possono essere utilizzate normalmente dopo la riparazione?
- R:** Consultare il produttore della batteria se la batteria è completamente danneggiata e se può essere riparata.

**D:** Perché alcune batterie non possono essere caricate?

**R:** Generalmente, una batteria da 12V con una tensione inferiore a 8,5V è danneggiata e non può essere caricata normalmente. Se la batteria è danneggiata o viene segnalato un errore Er4, è possibile selezionare la modalità di alimentazione a 12 V per ripristinare la carica della batteria.

## SECÇÃO 6

# GARANTIA

Garanzia limitata di tre anni di TOPDON

TOPDON garantisce al suo acquirente originale che i prodotti dell'azienda saranno esenti da difetti di materiale e lavorazione per 36 mesi dalla data di acquisto (Periodo di garanzia).

Per i difetti segnalati durante il periodo di garanzia, TOPDON riparerà o sostituirà la parte o il prodotto difettoso in base all'analisi e alla conferma del supporto tecnico.

TOPDON non sarà responsabile per eventuali danni incidentali o consequenziali derivanti dall'uso, uso improprio o montaggio del dispositivo.

Alcuni stati non consentono limitazioni sulla durata di una garanzia implicita, pertanto le limitazioni di cui sopra potrebbero non essere applicabili all'utente.

Questa garanzia limitata è nulla nelle seguenti condizioni:

- Usato in modo improprio, smontato, alterato o riparato da negozi o tecnici non autorizzati.
- Manipolazione negligente e violazione dell'operazione.

Avviso: tutte le informazioni contenute in questo manuale si basano sulle ultime informazioni disponibili al momento della pubblicazione e non può essere fornita alcuna garanzia per la sua accuratezza o completezza. TOPDON si riserva il diritto di apportare modifiche in qualsiasi momento senza preavviso.

## **IMPORTANT SAFETY WARNINGS**

- \* Use of an attachment not recommended or sold by the battery charger manufacturer may result in a risk of fire, electric shock, or injury to persons.
- \* To reduce risk of damage to electric plug and cord, pull by plug rather than cord when disconnecting charger.
- \* An extension cord should not be used unless absolutely necessary. Use of improper extension cord could result in a risk of fire and electric shock. If an extension cord must be used, make sure:
  - a) That pins on plug of extension cord are the same number, size, and shape as those of plug on charger;
  - b) That extension cord is properly wired and in good electrical condition; and
  - c) That wire size is large enough for ac ampere rating of charger as specified in Table
- \* Do not operate charger if it has received a sharp blow, been dropped, or otherwise damaged in any way; take it to a qualified serviceman.
- \* Do not disassemble charger; take it to a qualified serviceman when service or repair is required. Incorrect reassembly may result in a risk of electric shock or fire.
- \* To reduce risk of electric shock, unplug charger from outlet before attempting any maintenance or cleaning. Turning off controls will not reduce this risk.
- \* The appliance is not to be used by persons (including children) with reduced physical, sensory or mental capabilities, or lack of experience and knowledge, unless they have been given supervision or instruction.

## **PREPARING TO CHARGE**

- a) If necessary to remove battery from vehicle to charge, always remove grounded terminal from battery first. Make sure all accessories in the vehicle are off, so as not to cause an arc.
- b) Be sure area around battery is well ventilated while battery is being charged.
- c) Clean battery terminals. Be careful to keep corrosion from coming in contact with eyes.
- d) Add distilled water in each cell until battery acid reaches level specified by battery manufacturer. Do not

overflow. For a battery without removable cell caps, such as valve regulated lead acid batteries, carefully follow manufacturer's recharging instructions.

- e) Study all battery manufacturer's specific precautions while charging and recommended rates of charge.
- f) Determine voltage of battery by referring to car owner's manual and make sure that output voltage selector switch is set at correct voltage. If charger has adjustable charge rate, charge battery initially at lowest rate.

### **CHARGER LOCATION**

- a) Locate charger as far away from battery as dc cables permit.
- b) Never place charger directly above battery being charged; gases from battery will corrode and damage charger.
- c) Never allow battery acid to drip on charger when reading electrolyte specific gravity or filling battery.
- d) Do not operate charger in a closed-in area or restrict ventilation in any way.
- e) Do not set a battery on top of charger.

### **DC CONNECTION PRECAUTIONS**

- a) Connect and disconnect dc output clips only after setting any charger switches to "off" position and removing ac cord from electric outlet. Never allow clips to touch each other.

**FOLLOW THESE STEPS WHEN BATTERY IS OUTSIDE VEHICLE. A SPARK NEAR THE BATTERY MAY CAUSE BATTERY EXPLOSION. TO REDUCE RISK OF A SPARK NEAR BATTERY:**

- a) Check polarity of battery posts. POSITIVE (POS, P, +) battery post usually has a larger diameter than NEGATIVE (NEG, N, -) post.
- b) Attach at least a 24-inch-long 6-gauge (AWG) insulated battery cable to NEGATIVE (NEG, N, -) battery post.
- c) Connect POSITIVE (RED) charger clip to POSITIVE (POS, P, +) post of battery.
- d) Position yourself and free end of cable as far away



from battery as possible – then connect NEGATIVE (BLACK) charger clip to free end of cable.

- e) Do not face battery when making final connection.
- f) When disconnecting charger, always do so in reverse sequence of connecting procedure and break first connection while as far away from battery as practical.
- g) A marine (boat) battery must be removed and charged on shore. To charge it on board requires equipment specially designed for marine use.

### **PERSONAL PRECAUTIONS**

- a) Consider having someone close enough by to come to your aid when you work near a lead-acid battery.
- b) Have plenty of fresh water and soap nearby in case battery acid contacts skin, clothing, or eyes.
- c) Wear complete eye protection and clothing protection. Avoid touching eyes while working near battery.
- d) If battery acid contacts skin or clothing, wash immediately with soap and water. If acid enters eye, immediately flood eye with running cold water for at least 10 minutes and get medical attention immediately.
- e) NEVER smoke or allow a spark or flame in vicinity of battery or engine.
- f) Be extra cautious to reduce risk of dropping a metal tool onto battery. It might spark or short-circuit battery or other electrical part that may cause explosion.
- g) Remove personal metal items such as rings, bracelets, necklaces, and watches when working with a lead-acid battery. A lead-acid battery can produce a short-circuit current high enough to weld a ring or the like to metal, causing a severe burn.
- h) Use charger for charging a LEAD-ACID battery only. It is not intended to supply power to a low voltage electrical system other than in a starter-motor application. Do not use battery charger for charging dry-cell batteries that are commonly used with home appliances. These batteries may burst and cause injury to persons and damage to property.
- i) NEVER charge a frozen battery.

**FOLLOW THESE STEPS WHEN BATTERY IS INSTALLED**

IN VEHICLE. A SPARK NEAR BATTERY MAY CAUSE BATTERY EXPLOSION. TO REDUCE RISK OF A SPARK NEAR BATTERY:

- a) Position ac and dc cords to reduce risk of damage by hood, door, or moving engine part.
- b) Stay clear of fan blades, belts, pulleys, and other parts that can cause injury to persons.
- c) Check polarity of battery posts. POSITIVE (POS, P, +) battery post usually has larger diameter than NEGATIVE (NEG, N, -) post.
- d) Determine which post of battery is grounded (connected) to the chassis. If negative post is grounded to chassis (as in most vehicles), see (e). If positive post is grounded to the chassis, see (f).
- e) For negative-grounded vehicle, connect POSITIVE (RED) clip from battery charger to POSITIVE (POS, P, +) ungrounded post of battery. Connect NEGATIVE (BLACK) clip to vehicle chassis or engine block away from battery. Do not connect clip to carburetor, fuel lines, or sheet-metal body parts. Connect to a heavy gage metal part of the frame or engine block.
- f) For positive-grounded vehicle, connect NEGATIVE (BLACK) clip from battery charger to NEGATIVE (NEG, N, -) ungrounded post of battery. Connect POSITIVE (RED) clip to vehicle chassis or engine block away from battery. Do not connect clip to carburetor, fuel lines, or sheet-metal body parts. Connect to a heavy gage metal part of the frame or engine block.
- g) When disconnecting charger, turn switches to off, disconnect AC cord, remove clip from vehicle chassis, and then remove clip from battery terminal.
- h) See operating instructions for length of charge information.

**WARNING – RISK OF EXPLOSIVE GASES.**

a) WORKING IN VICINITY OF A LEAD-ACID BATTERY IS DANGEROUS. BATTERIES GENERATE EXPLOSIVE GASES DURING NORMAL BATTERY OPERATION. FOR THIS REASON, IT IS OF UTMOST IMPORTANCE THAT YOU FOLLOW THE INSTRUCTIONS EACH TIME YOU USE THE CHARGER.

b) To reduce risk of battery explosion, follow these instructions and those published by battery manufacturer and manufacturer of any equipment you intend to use in vicinity of battery. Review cautionary marking on these products and on engine.

The instructions for a battery charger

For all grounded cord-connected battery chargers:  
**GROUNDING AND AC POWER CORD CONNECTION INSTRUCTIONS** – Charger should be grounded to reduce risk of electric shock. Charger is equipped with an electric cord having an equipment-grounding conductor and a grounding plug. The plug must be plugged into an outlet that is properly installed and grounded in accordance with all local codes and ordinances.







TEL

**86-755-21612590**  
**1-833-629-4832 (NORTH AMERICA)**



EMAIL

**SUPPORT@TOPDON.COM**



WEBSITE

**WWW.TOPDON.COM**



FACEBOOK

**@TOPDONOFFICIAL**



TWITTER

**@TOPDONOFFICIAL**

---



Intertek  
5023430

Certified to CSA Std.C22.2 No.107.2 Conforms to UL Std.1236