



knister

Reinvent urban life

Manual

Model: Knister Gas Grill and Gas Hero

Manufacturer: Knister GmbH

Device category: immediate pressure.

Gas type: propane/butane gas mixture.

This appliance may only be used with EN417 screw-in valve cartridges (7/16"28UNEF thread) with propane/butane mixture (ratio 30/70).

Rated heat load: 2.3-2.6 kW. 170-192 g/h

**Warning:**

Read the user manual before using the grill. After unpacking, as well as before each use, check whether the item shows any damage. If this is the case, do not use the item, but please notify the manufacturer Knister GmbH or your retailer or dealer. The operating instructions are based on the standards and regulations valid in the European Union. When abroad, also observe country-specific guidelines and laws! Important: Read these operating instructions carefully to familiarize yourself with the device before connecting it to the gas cartridge or gas bottle. Keep the instructions in order to be able to read them again.”.

Declaration of conformity: this product is for private use only and complies with the requirements of the relevant national harmonized standards DIN EN 512:2019.

**DANGER:**

In case of gas smell: Close the gas supply to the device by turning the orange gas control to the right. Extinguish open flames! If the smell of gas persists, keep your distance from the appliance and inform the fire department.

DANGER:

Only use the Knister gas grill with commercially available propane/butane screw-in gas cartridges (EN 417), (propane/butane mixing ratio: 30/70). Only use approved screw-in cartridges with a filling weight of 400-600g. Using other gas mixtures can be very dangerous.

DANGER:

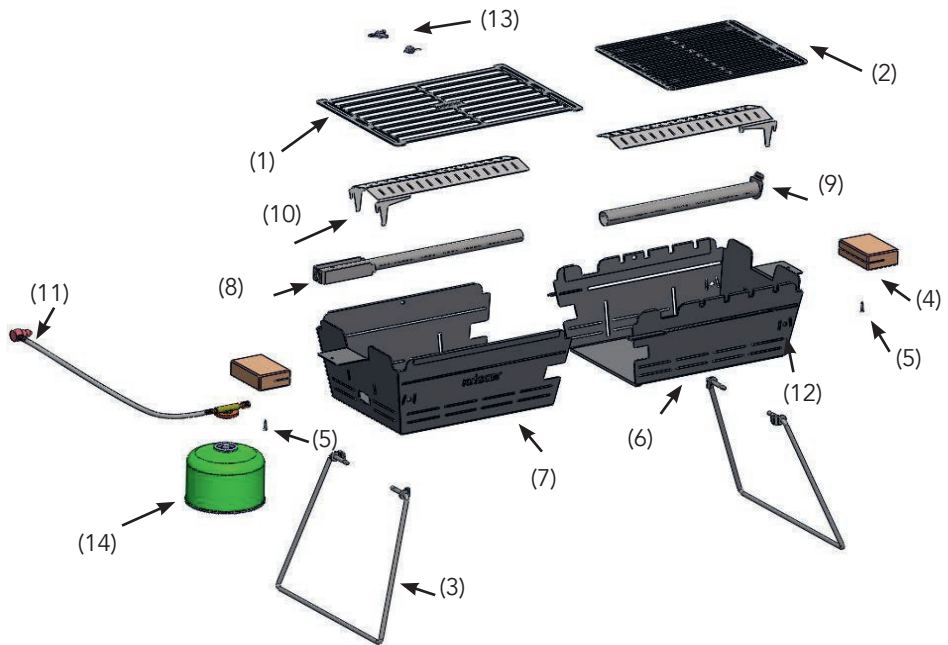
Never operate this grill unattended. Use the grill only at a distance of at least 1.5 meters from combustible materials. Combustible materials include wood, wood floors, wood decks, wood porches, balcony siding, polyester clothing or billowing clothing. If a grease fire occurs, call the fire department. Never try to extinguish an oil-grease fire with water! Failure to do so may result in fire or exposure or flash fire,

WARNING:

This gas grill may only be used outdoors!

Be sure to read the sections on combustion tube ignition and assemble the combustion unit and grill as described in this manual. Carefully inspect the unit for gas leaks and leaks before each use.

Caution: This grill and its individual parts can become very hot!



GENERAL

Scope of delivery: (1) grill grate large; (2) grill grate small; (3) 2x legs; (4) 2x wooden handles; (5) 2x wood screw; (6) body inside; (7) body outside; (8) burner tube thin; (9) burner tube thick; (10) 2x steel plate; (11) gas hose with orange screw regulator; (12) leg rest points; (13) wing nut and screw; (14) gas cartridge (Attention: not included)

Technical Data: Gasgrill „Knister grill“. Grill built up, pushed apart: approx. 40-61x25x31 cm (LBH) Grill surface: 27-48x19,5 cm. Weight: 4,8 kg. When grill model with black steel coating: coating is heat resistant up to 600°C, grates: V2A; nozzle marking: 0.35mm. Nominal heat load: 2,3-2,6 kW, 170-192g/h

Distributor: Knister GmbH, Landsbergerstr. 14 D-80339 Munich Phone: +49 (0)89/9587 6060 Email: support@knister-grill.com Web: www.knister-grill.com

Waranty: You have purchased a high quality grill. Knister GmbH guarantees its grills under its warranty conditions, for normal, recreational and non-commercial use for 12 (twelve) months from the date of purchase for all parts with regard to defects and processing errors. Excluded from the warranty are all wear parts, such as grill grates, gas hose, radiant panels and burner tubes, as well as unevenness and color differences of the paint, paint peeling, light corrosion. All other costs such as labor, transportation, freight and packing are the responsibility of the purchaser in the event of a warranty claim. This warranty does not include failure or user difficulty caused by willful damage, misuse, alteration, misapplication, careless use, wear and

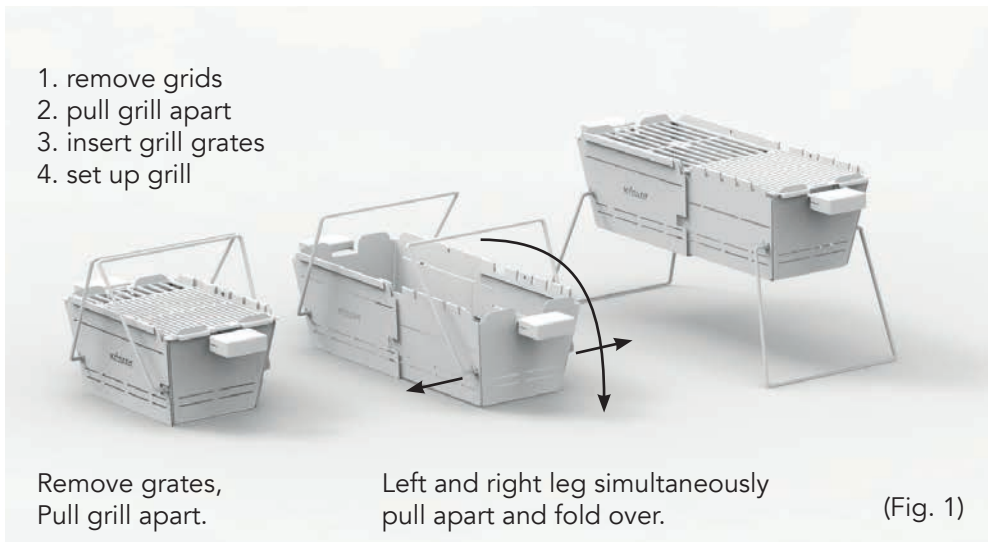
tear, improper installation or poor maintenance.

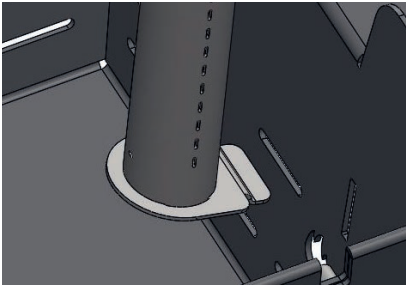
INTENDED USE:

This grill is designed for heating, cooking and grilling food. The grill is suitable for outdoor use only and is intended for residential use only. Only use the item as described in these operating instructions. Any other use is considered improper and may result in property damage or personal injury. The manufacturer accepts no liability for damage caused by improper use. It is important to assemble the Knister gas grill properly to avoid unforeseen dangers. When you have read the safety instructions and checked the proper assembly of the Knister gas grill, you can fire up the grill

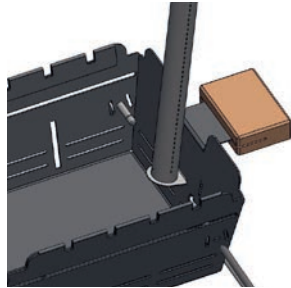
Assemble the grill (Fig. 1)

Unpack the grill and remove all packing materials. Keep the packing material out of reach of children. Put the two wooden handles (4) on the metal lug and screw them with the two wood screws (5) in the designated place from below. Pull the leg apart a bit, insert the ends into the holes of the leg latch points (12) on the side walls and just let them snap into place. When worn, the welded hook on the leg should snap into the outer slot of the leg latch points (12). The grill should be stable on the outward facing legs when standing (Fig. 1). If the legs are unstable slightly tilted inward, you have installed the legs the wrong way around. Simply rotate each leg around its own axis and thread it into the leg locking point (12) the right way around again.

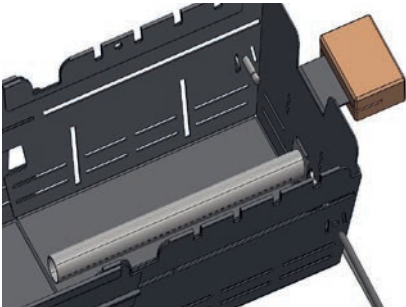




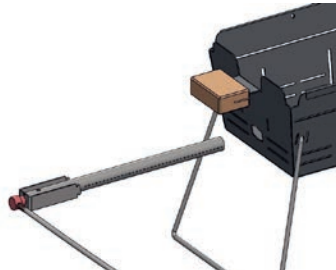
Hook the thick burner tube into the grill. To the right is the ignition hole. (Fig. 2)



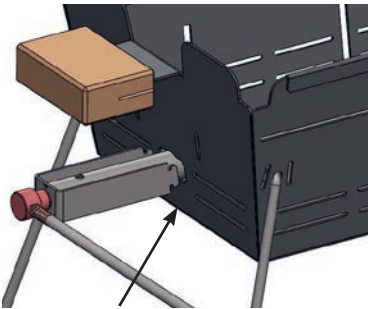
Hang thick burner tube in grill (Fig. 3)



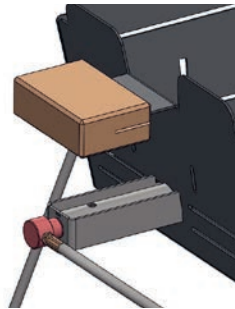
Fold down thick burner tube (Fig. 4)



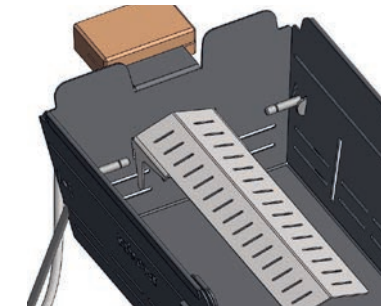
Thin burner tube from the outside through (Fig. 5) the left half of the corpus



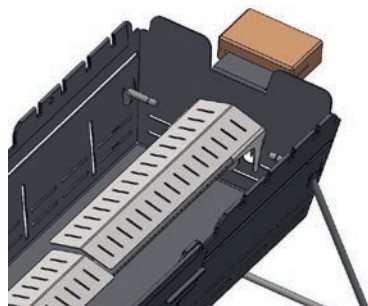
Clip with the beveled side parallel to the grill... (Fig. 6)



...Push together the clip and hook it in the grill - release the clip when tube in right position (Fig. 7)



Hang the first steel plate on the left hook in on left side (Fig. 8)



Hang second steel plate and overlap the first plate (Fig. 9)

Required tools: 1x Phillips screwdriver for the wood screws.

1: Pull grill apart

Place the grill with the handles facing up (see Fig. 1 left picture), on a flat, solid surface! Remove the grill grates and set them aside. The grill grates hold the two drawers together. Now gently pull the grill apart by the two wooden handles until it stops. Never lift the grill into the air while trying to pull the drawers apart. Never pull the grill apart when the legs are in place.

2: Inserting burner tubes and radiant plates

Burner tubes and radiant plates are inserted when pulled apart. Place the grill in front of you with the crackle logo facing you. Hook the section of the thick burner tube (9) into the slot provided in the grill (see Fig. 2 and 3). Fold the tube down so that it hangs parallel to the bottom of the grill (Fig. 4). Then push the thin section of the burner tube (8) from the outside through the hole on the left wall of the body (see Fig. 5). Here it is important to make sure that the beveled side of the connection clamp is parallel to the outer wall of the Knister gas grill (Fig. 6). Now gently squeeze the connection clamp and insert it into the opening provided for this purpose (Fig. 7). Parallel to this, push the thin tube into the thicker burner tube - the tubes are now loosely inserted into each other like a telescope and hang horizontally inside the grill. When you release the connection clamp, it must lock tightly in the opening and no longer be able to be twisted. Now you can hang the two radiator plates in the recess provided (see Fig. 8). Repeat the process on the opposite, right-hand side so that the already hooked-in radiator plate is overlapped (see Fig. 9).

IMPORTANT: Always use both combustion tubes! Never use the grill if only one combustion tube is connected, as this may result in dangerous sparks.

IMPORTANT: Always use both radiation plates! Never use the grill never use the grill without the emission baffles, as otherwise dangerous flash flames may occur or the flame may go out accidentally and unburned gas may enter the combustion chamber.

3: Inserting the grill grates

Now insert the large grill grate (1) first. The inner push has recesses provided for this purpose in the upper edge. Then insert the small grill grate (2). The small grate partially rests on the large grate. You can also turn the small grate 90° and slide it into the 4 cm deeper slot. The small grate has two small, special holes in the grate. The height adjustment slot also has two no elevations in which the holes of the grate engage. Thus, the grill grate does not shift and can likewise be used with the balcony holder. So you can grill in different temperatures or indirectly. Four barbecue skewers can be placed additionally. Before grilling: Wash the grill grates with warm rinse water before first use.

IMPORTANT:

Never move or change the height of the grates when the burner is lit.

4: Set up grill

Fold down the legs: The handles are now still in the transport position, and the grates are in place. The welded leg detents must be completely pulled out. Then turn the leg around 180°. It will automatically snap into the intended standing position. Repeat the procedure with the other leg. Now the grill is in the standing position: The legs should both be extended by approx. 15°. If this is not the case during initial assembly, remove the leg completely and rotate it once around its own axis.

5: Connect gas hose and gas cartridge

Important: First check whether the orange rotary valve on the gas hose for gas regulation is closed. To do this, turn the orange, ribbed adjusting screw to the right as far as it will go.

Now take the golden connection thread on the other side of the hose and screw it into the threaded hole provided on the connection clamp on the thin combustion tube. The end should be hand-tightened, but by at least five complete turns. Avoid twisting or kinking the gas hose too much. Torsional stresses on the hose should be avoided.

The other end of the gas hose, where the flat orange regulator is located, connects to your gas cartridge. Before twisting the two parts together, it is important to re-check that the gas regulator is closed. Note that the gas cartridge is twisted onto the regulator, not the other way around. Before each use, check that all valves, threads on the gas hose and combustion tube are cleaned and in perfect condition. Check that the rubber seal on the rotary valve is not porous. Place the gas cartridge on a flat, dry surface next to the grill so that it cannot touch the grill or other sharp edges. Also keep the gas hose away from sharp edges and objects! Do not handle sharp objects (e.g. knives, scissors, etc.) near the gas hose. This could otherwise be damaged and lead to uncontrolled gas leakage, flame formation or even explosions.

Important: Do not shake the gas cartridge excessively or turn it upside down during operation, otherwise liquid gas may enter the combustion chamber and cause pilot flames.

6: Lighting the grill with gas

Before you light the Knister gas barbecue, you must make sure that everything is mounted according to the instructions. It is also important that the grill is properly cleaned and that there is no grease from previous grilling or the like on the grill. To light the Knister gas barbecue, turn the gas regulator on the gas bottle slightly until you hear the gas flowing. After about 1-2 seconds have passed, you can use a lighter or match to ignite the gas at the ignition hole from the outside (Fig. 2). To do this, hold your burning utensil with the flame under or to the ignition hole.

The combustion tube is now ignited. A blue flame should now emerge evenly through all the small holes in the combustion tube. If only one half of the combustion tube has been ignited, turn the gas regulator up a little more until the flames have jumped over to the second combustion tube.

Before each use, check that all holes in the combustion tubes are free and that no deposits, rust or grease are blocking them.

CAUTION: If it takes longer than 5 seconds to ignite the burner tube, stop the ignition process and close the regulator screw. After waiting for at least 1 minute, the ignition process can be attempted again, provided that the smell of gas is no longer noticeable. Before this, there is an **acute danger of explosion**. It is important to always check whether the gas is ignited.

Attention: Please always ignite the grill from the outside through the ignition hole! Never hold the lighter in the body directly to the combustion tube! This can lead to severe burns.

IMPORTANT: Always insert the radiator plates when they are cold and never when the combustion tube has already been ignited.

IMPORTANT: Be sure to use both radiator plates when grilling (when the grill is in the extended state), as otherwise flash flames may result from escaping meat juices!

CAUTION: Never move the grill and the gas cartridge when hot!

Replacement of gas cartridges:

Check that the burners have gone out before loosening the gas cartridge or gas bottle. Close the orange screw valve on the hose (turn to the right). Then turn the cartridge off the hose by hand.

Check the seals before connecting a new gas cartridge or gas bottle to the unit. Change the gas cartridge or gas cylinder outdoors and away from other people. Do not shake or twist the new cartridge excessively. Always place the cartridge on a flat surface.

7: Grilling process

Do not place any non-fireproof objects (e.g. plastic bowls, cutting boards, grill mats, etc.) on the grill! Food may only be grilled directly on the stainless steel grill grate. Never extinguish the grilled food with aromatic liquids (e.g. beer, spirits, aromatized liquids, etc.)! There is an acute risk of flash fire.

Load the grill grate evenly with the food to be grilled. Make sure that the total weight of the food does not exceed 2kg.

Do not lean over the lit grill to assess the condition of the flames or the grilled food. Always keep a sufficient distance. There is a risk of burns.

8: Use grill in small version

The Knister gas grill can also be used in small condition for e.g. two persons. Assemble the grill normally as described in step 1,2,5. Now push the grill together on a flat surface with the legs in the carrying position as shown in Fig.1. The gas-tubes will automatically slide into each other like a telescope. Now remove one of the two radiator plates so that only one hangs over the collapsed combustion tubes. Now hang the large grill grate (1) and ignite the grill as described in step 6 above.

CAUTION: Be sure to use both combustion tubes even when the grill is small! Leave them pushed into each other! Never use the grill with only one burner tube!

Transport the grill: Allow the grill to cool completely before transport. Close the rotary valve, remove the gas cartridge (page 8) and always disconnect the gas hose from the cartridge and combustion tube after each use. Remove the grates. Fold the legs over by pulling both sides of one leg out of the hole at the same time (until it stops). Fold the two legs 180° one after the other. The body that has been pulled apart now stands on the floor. Gently push the two drawers back together and replace the grill grates. Never push the grill together when it is still standing on its legs! For additional transport safety, the wing nut incl. wing screw can be inserted through the provided hole (13) through both drawers. The wing screw fixes the grill grate and the body so that noises are reduced. Now carry the grill by the handles or hang it on your bike with the Knister bike mount. Leave your barbecue place clean, take your waste or transport their waste, packaging, etc. inside the grill.

DISPOSAL:

The packaging is made of environmentally friendly, FSC certified paper and cardboard, which you can dispose of at local recycling points. At best, take good care of the grill, use it as long as you can, and after its lifetime, use it as a flower box or similar, for example. Be creative - for the environment! Dispose of it through a licensed disposal company or through your municipal waste disposal facility. All individual parts of the grill are perfectly separable and can be recycled without any problems. The stainless steel parts are type 1.4301 (V2A), the powdered steel parts are type 1.0330 (DC01). Wood used: German untreated ash. Wood screws and wing screws and are made of galvanized steel. Use this information so that the grill can be perfectly separated and recycled at the end of its life cycle. Dispose of your used gas cartridges in a safe and designated place.

CLEANING:

To keep your grill looking flawless and working well for years to come, follow a few basic cleaning instructions: Your grill is made of high-quality materials. Put the grill away and allow it to cool completely before cleaning.

Generally clean the interior and surfaces with warm, soapy water. Remove the grill grates and clean them thoroughly with rinse water and remove any loose debris on the grill with a wet sponge. Grill grates and legs can be cleaned in the dishwasher. Dry them thoroughly afterwards. The manufacturer does not take responsibility for cleaning the grill body and wooden handles in the dishwasher, but theoretically it is possible to clean all models completely in the dishwasher. Protect your grill from constant weather conditions. Since it is made of steel, there is a possibility that it will rust. Clean up any rust spots and touch them up with fireproof paint. To prevent rust damage, it is important that you remove ash from the grill body before moisture combines with the cold ash. Do not use sharp objects or abrasive cleaners to clean the surfaces of your grill. **IMPORTANT:** The grill should always be stored away from moisture. The wooden handles are a natural product and are untreated. Sand them regularly with fine sandpaper and oil them with a little olive oil, for example. This way they will keep their beauty for a long time.

IMPORTANT: Before each use, clean the combustion tubes and radiant panels thoroughly to ensure that there are no grill residues, grease, oils or liquids left. Regularly clean the openings of the combustion tubes with a metal brush to protect them from clogging and to ensure optimal combustion. Clean the interior of the grill corpus with a sponge after each use. Make sure that it is also free of oils and residues, otherwise dangerous flames may occur.

Maintenance and repair: Do not make any modifications to the product! These represent a major safety hazard and are prohibited. In case of damage, repairs or other problems with the grill, contact our service center or a local specialist. Never change seals on your own but contact our customer support (support@knister-grill.com).



CAUTION: Keep children and pets away! Also keep small children away from the gas grill during grilling and cooling down. Make sure that children do not put small assembly parts in their mouths. They could swallow the parts and choke on them. Do not use strong or abrasive solvents or scouring pads, as they will attack the surfaces and leave scuff marks. There are sometimes sharp edges on the grill and on the individual parts. Handle the individual parts of the grill with care to avoid accidents or injuries during assembly and operation. If necessary, wear protective gloves. Do not place the grill near entrances or

areas with heavy traffic. Always exercise extreme care while grilling. You may lose control of the unit if distracted. Always be alert and pay attention to what you are doing.



Risk of burns and accidents:

CAUTION! The grill unit becomes very hot and must not be moved during operation. Likewise, do not move, shake or turn over the gas cartridge. Only use the grill outdoors! Only use long-handled grilling tools with heat-resistant handles. Do not wear clothing with wide sleeves. While using the grill, wear protective gloves when handling possible grill skewers.

This appliance is not intended to be used by persons (including children) with reduced physical, sensory or mental capabilities, or lack of experience and/or knowledge. Advise these persons of the dangers of the device and have them supervised by a person responsible for their safety. Keep children and pets away from the appliance. The grill and food become very hot during operation, so any contact with them can cause severe burns. Keep a sufficient distance from hot parts, as any contact can cause severe burns. . Always wear grill or kitchen gloves when grilling. Allow grill to cool completely before cleaning or putting away.

SAFETY INSTRUCTIONS GAS GRILL



WARNING FIRE

If an uncontrollable fire has started:

1. If your attempts to extinguish the fire are unsuccessful, get yourself and others to safety immediately. The fire department must be informed immediately by calling 112.
2. Until the fire department arrives, the danger area must be secured, but only if this does not put anyone in danger.

Before each barbecue, the gas seals and the gas hose must be checked for blockages or leaks. All gas-carrying parts must be checked in the process. Never use the crackling grill if there are leaks.

Never use a flame to check for gas leaks, use a soap and water solution instead. To do this, spray the appropriate parts with the soap and water solution and open the gas regulator. If small bubbles form, there is a leak. Do not start the burner under any circumstances during the test. If you discover a leak, do not use the grill under any circumstances.

If there is a grease fire, immediately turn off the gas supply and wait for the grease to burn off.

Be sure to always have a bucket of sand there to put out fires when grilling. Special fire extinguishers for grease fires are also available.



WARNINGS FIRE HAZARD:

Fire hazard - Do not grill on the bicycle! Do not use the barbecue under any circumstances during transport by bicycle! Do not use the grill while it is still mounted on the bicycle. Remove the grill from the bicycle before use.

Use the grill outdoors only. Do not use the grill in closed rooms, garages or other buildings. Always have a fire extinguisher and a first aid kit ready and be prepared in case of an accident or fire.

Place grill on a flat, level, safe, heat-resistant and clean surface. Position the grill so that it is at least 1.5 meters away from highly flammable materials such as trees, shrubs, grasses, awnings, wooden decks or furniture.

Danger areas such as highly flammable materials (e.g. polyester) or cigarettes should always be at least 10 meters away from the Knister gas grill.

Only barbecue in places where it is permitted. Do not light the barbecue on grass. Do not transport or move the grill during operation.

WARNINGS GAS CARTRIDGES AND GAS CONNECTIONS:

Do not use the Knister gas grill in excessive wind. Especially the ignition hole (Fig. 2) should always be turned away from the wind.

Never place flammable items on or near the Knister Grill when it is in use or still hot.

Due to the nature of liquid gas, it burns worse at low temperatures, so we recommend using a special winter gas when temperatures are below 15°C.

The cartridge should be tightened only hand-tight to the thread. Excessive force may cause damage such as leaks or obstruction of gas flow, regulator connection and cartridge valve.

result. Always make sure that the gas cartridge valve is not damaged. Never damage or puncture the gas canister. Never make any modification to your gas grill. This can cause great danger and will void the warranty.

IMPORTANT: While grilling, periodically check by eye to see if the flames on the combustion tube are coming out quietly and burning blue. If the flames on the combustion tube go out, stop the gas supply immediately: Turn the orange regulator screw to the right!

Only after a few minutes the gas has completely escaped and only then can the Knister gas grill be relit without risk. However, please note that the Knister gas grill is already hot and there is a risk of burns.

While using the Knister gas grill, do not loosen, move or disassemble the gas regulator or other parts. Check that the seals (between the appliance and the gas cartridge or gas bottle) are in place and in good condition before connecting the gas cartridge or gas bottle. Never use the Knister gas barbecue if seals and/or the gas supply are defective or worn.

If it is not working properly, do not use the Knister gas grill!

Gas cartridges or gas bottles should not be stored near the Knister Gas Grill. Store the grill in dry indoor areas. Never use gas cartridges that are dented or rusty. Even if the gas cartridge appears to be empty, gas could still be preserved in it. Accordingly, a gas cartridge should also be transported and stored with care. It is also important to pay attention to the danger warnings on the gas cartridge. The gas cartridge should only be changed and lit outdoors and at a safe distance from other people and ignition sources.



RISK OF INJURY:

Failure to follow instructions may result in problems and hazards when using the grill. Follow all assembly instructions listed here. Read the assembly instructions completely first.

Allow sufficient time for assembly and create a level work surface. Do not use the product if you are unfocused, tired, or under the influence of drugs, alcohol, or medication.

During preheating or if the Knister gas grill and gas cartridge are shaken vigorously, it is possible that the gas will escape in liquid form and cause a flash fire. Therefore, never move the gas cartridge while grilling! The Knister gas grill must never be used unattended, even during cooling down do not let the grill out of your sight. Even a moment of carelessness while using the product can lead to serious injuries.

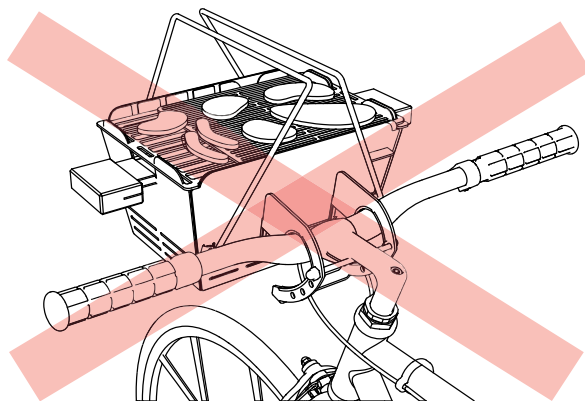
If there is a smell of gas, immediately turn off the gas supply and disconnect the hose from the gas cartridge. Immediately extinguish open flames, cigarettes and the like. If there is still a smell of gas, move away from the grill. If necessary, inform fire department. Especially important because: Escaping gas can suddenly explode and/or cause a fire. This can cause serious or even fatal injuries to persons.



Health hazard:

Operate the Knister gas grill only with the commercially available propane/butane gas mixture EN417. Use only approved screw-in cartridges up to max. 600g, it can be very dangerous to connect other gas containers or gas mixtures. The resealable screw-in gas cartridge must have a suitable thread for your gas regulator (7/16 x 28 UNEF thread). To be sure, purchase the proper gas cartridges from the Knister Grill website: www.knister-grill.com or from specialty retailers.

Flammable liquids poured into the grill will form flash flames or deflagrations. Never use ignition liquids such as gasoline or methylated spirits near the grill. Carbon monoxide can form when gas is burned. This gas is odorless and can be lethal indoors! Operate grill outdoors only. Some foods produce flammable fats and juices. Never operate the grill in closed and/or habitable rooms, e.g. buildings, tents, caravans, mobile homes, cars, winter gardens, boats. There is danger to life due to carbon monoxide poisoning.



NEVER GRILL WHILE CYCLING!

No liability is assumed for possible printing errors.
assumed.

Knister GmbH - Landsbergerstr. 14 - 80339 Munich,
Germany

www.knister-grill.com

support@knister-grill.com

+49 (0)1573 9360 376

+49 (0) 089 9587 6060

