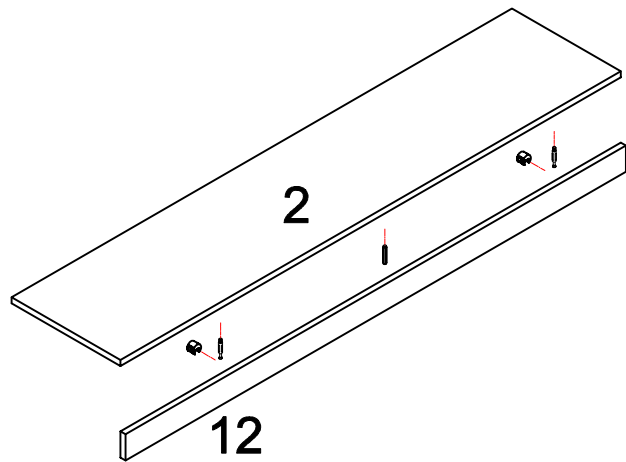


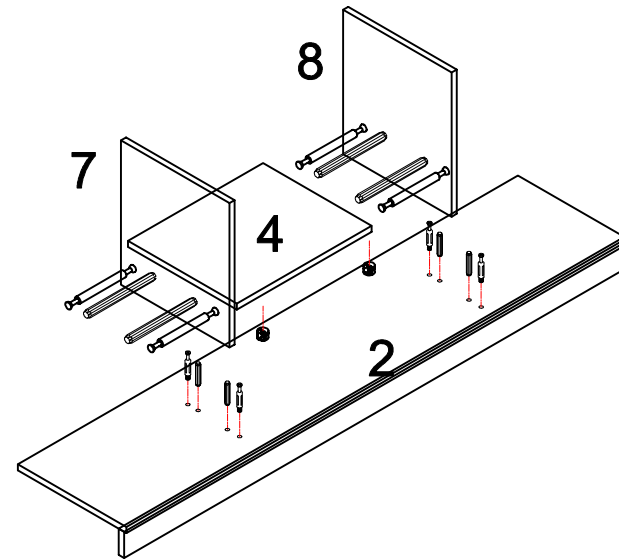
A	B	8*40	C	3.5*14	D	6x8	E	300mm	F	8x80	H	I	J	3.5*35
47PCS	33PCS		32PCS		4PCS		4PCS		F2 2PCS	4PCS	1PCS	20PCS	8PCS	

1



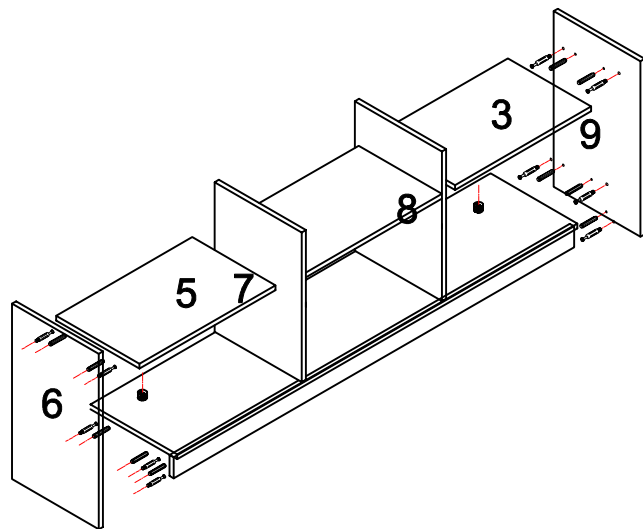
A*2
B*1

2



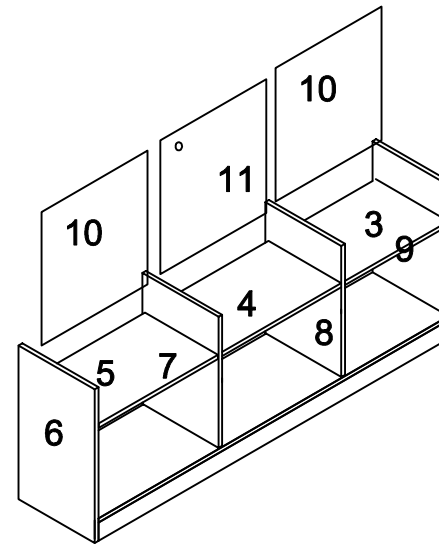
A*4
B*4
D*4
G*4

3

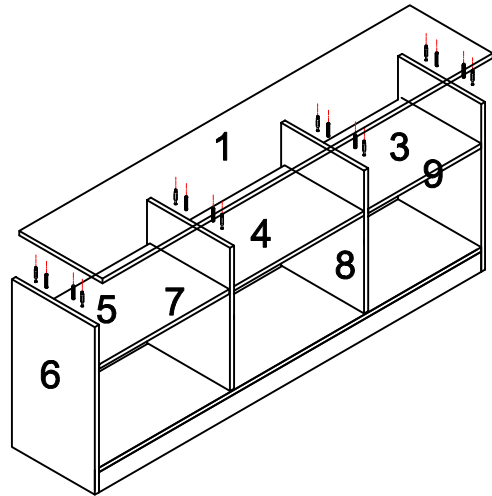


A*10
B*10

4

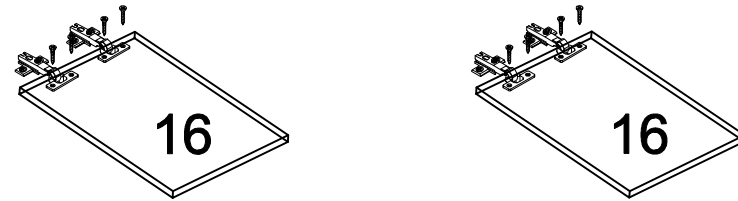


5



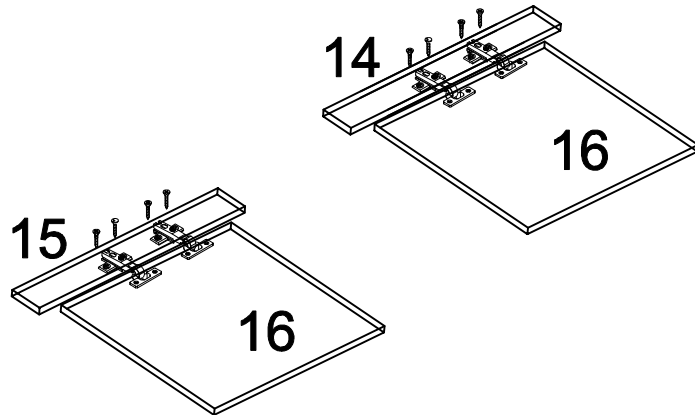
A*8
B*8

6



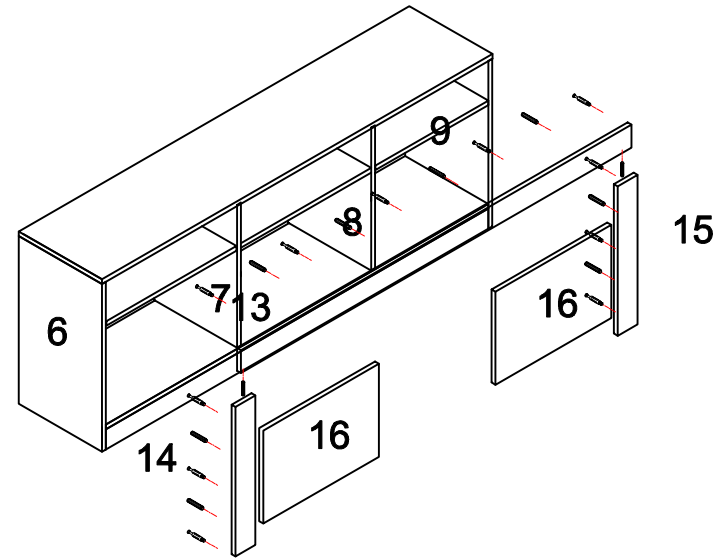
C*8
E*4

7



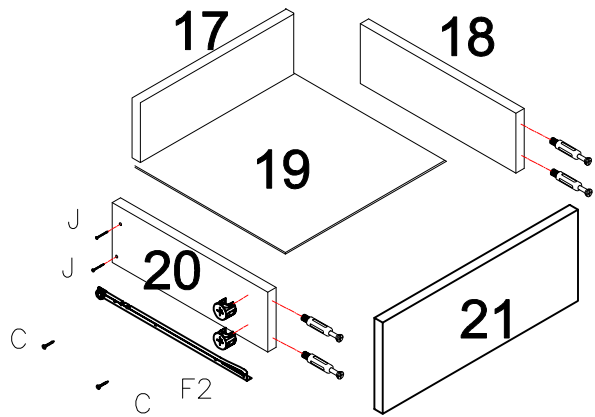
C*8

8



A*15
B*10

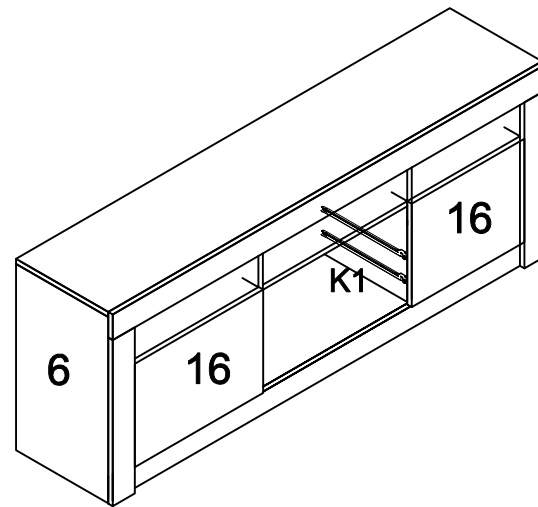
5



X2

A*8
 C*8
 F*4
 J*8

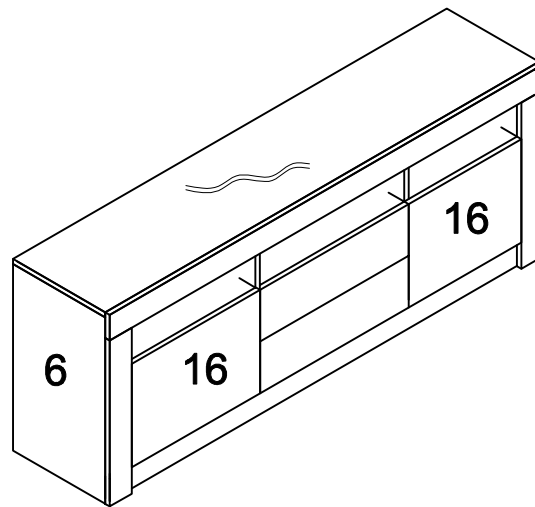
6



C*8
 F1*4

7

The following
 installation
 LED lights



H*1
 I*20