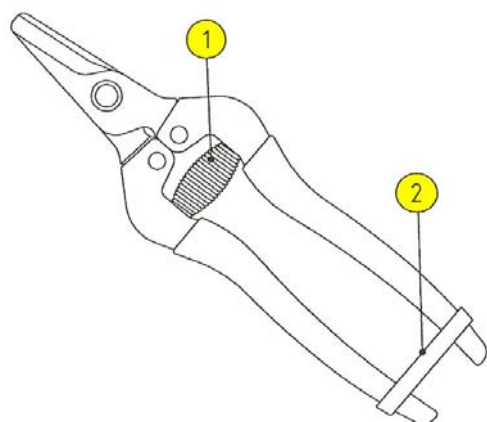


HP-310 / 310DX / 310BL / 310T

SPARE PARTS DIAGRAM



1. SP-30023 Spring
2. SP-HP161 Strap for handles

*All highlighted items are available from inventory.
All others are available by Special Order.*