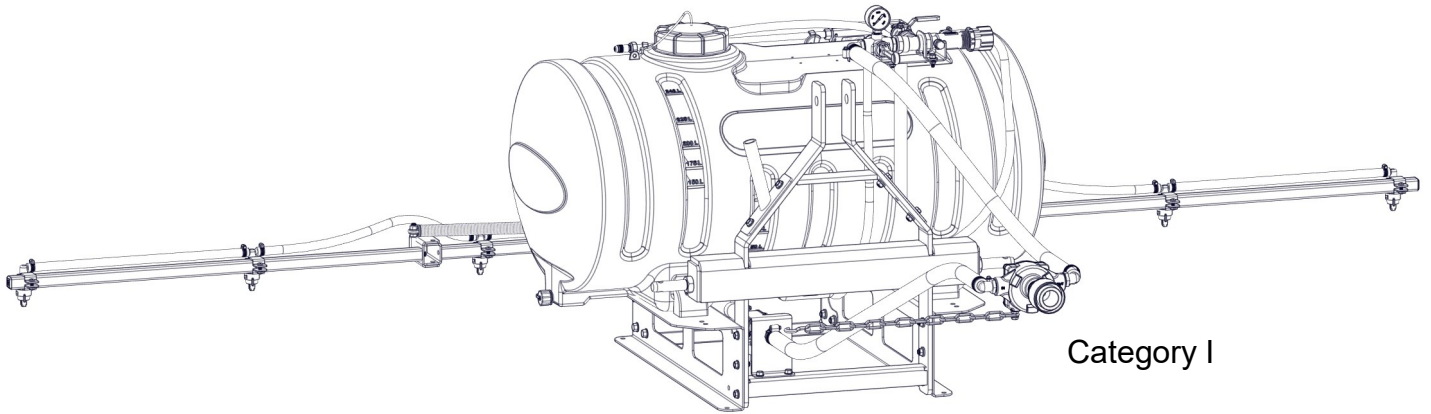


# OWNER'S MANUAL

## Model: 3PT-65-6R-7 (5303252)

(65 Gallon 3 Point Sprayer w/Pump, Coupler & 7-Nozzle AIXR 0.3 Boom)



Category I

### General Information

Thank you for purchasing this product. The purpose of this manual is to assist you in operating and maintaining your 3 Point sprayer.

**BEFORE RETURNING THIS PRODUCT  
FOR ANY REASON, PLEASE CALL**

**1-800-831-0027**

MONDAY-FRIDAY, 8:00 AM TO 5:00 PM CST

If you should have a question or experience a problem with your Fimco Industries Product: Visit our website @ [www.fimcoindustries.com](http://www.fimcoindustries.com) or call the Toll free number above. Our technical support representatives will be happy to help you.

In most cases a customer service rep. can resolve the problem over the phone.

To obtain prompt, efficient service, always remember to give the following information....

- Correct Part Description and/or part number
- Model number and Serial Number

Part descriptions and numbers can be obtained from the illustrated parts list section(s) of this manual.

**Retain a copy of your receipt for your unit, as it will be required to validate any warranty service.**

**Warranted against manufacturer or workmanship defects from date of purchase with copy of receipt:**

**Homeowner Usage: One Year**

**Commercial Usage: 90 Days.**



**WARNING:** To reduce the risk of injury, the user must read and understand the operator's manual before using this product.



**WARNING:** Cancer and Reproductive Harm.  
[www.P65Warnings.ca.gov](http://www.P65Warnings.ca.gov)



[www.fimcoindustries.com](http://www.fimcoindustries.com)

1000 FIMCO Lane, P.O. Box 1700, North Sioux City, SD 57049  
Toll Free Phone: 800-831-0027 : Toll Free Fax: 800-494-0440

[5195642

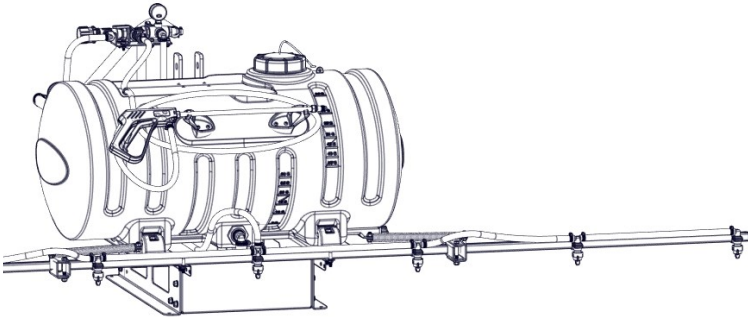
(12/22)]

## Contents

Technical Specs .....	2	Roller Pump Exploded View/Parts List.....	9
Sprayer Contents.....	3	Roller Pump General Info.....	9
Assembly Instructions .....	4 - 5	Roller Pump Operations/Maintenance.....	10
Operation & Calibration .....	6 - 7	Trouble Shooting.....	10
Maintenance & Tank Care.....	7	Sprayer Exploded Views.....	11 - 12
Winter Storage .....	8	Sprayer Parts List.....	12
Pressure Relief Valve Exploded View/Parts List .....	8	Boom Exploded View and Parts List.....	13
DirectoValve Exploded View/Parts List .....	8	Sprayer Dimensions .....	14
Torque Chain Attachment .....	9	Warranty.....	14

## Model: 3PT-60-6R-7 (5303252)

(65 Gallon 3 Point Sprayer w/Pump, Coupler & 7-Nozzle AIXR 0.3 Boom)



### Technical Specifications

- 65 Gallon Corrosion-Resistant Polyethylene Tank
- 6 Roller Pump: 9.76 GPM @ 540 RPM  
18.2 GPM @ 1000 RPM
- Pistol Grip Handgun W/25' of Hose
- 7-Nozzle AIXR 0.3 Boom
- Corrosion-Resistant Nylon Nozzles
- Check Valve Strainers, 50 Mesh, 5 PSI

**Caution:** When fully filled with water, this sprayer will weigh approx. 700 lbs..

Consult the owner's manual for your vehicle to verify that you are within it's load carrying capacity.

### ~~~~~IMPORTANT~~~~~

Remove tank lid and be sure the tank is clean and free of any foreign material. Rinse tank out of any tank residue before filling with water to test.

### ~~~~~IMPORTANT~~~~~

It is VERY important to test this sprayer with plain water before actual spraying is attempted. This will enable you to check the sprayer for leaks without the possibility of losing any expensive chemicals.

### ~~~~~WARNING~~~~~



**Read and Understand** the Owner's Manual before using this sprayer. Test and use in accordance to instructions.

**Read and Follow** chemical label instructions and wear protective gear when filling, using, cleaning and servicing the sprayer.

**Exercise Caution** in vehicle handling when towing/hauling a filled sprayer to avoid loss of control or overturning.

**Keep Sprayer and Spray materials** away from other people, children and pets.

**Do Not Turn on Power** to the sprayer, until ready to spray in order to avoid unintentional spray release.

**Do Not Use** on steep slopes. A full sprayer could cause loss of control or overturn sprayer and vehicle.

**Always operate** up and down a slope, never across the face of a slope.

**Keep all movement on slopes** slow and gradual. Do not make sudden changes in speed, directions or turning. Do not start or stop suddenly when going uphill or downhill.

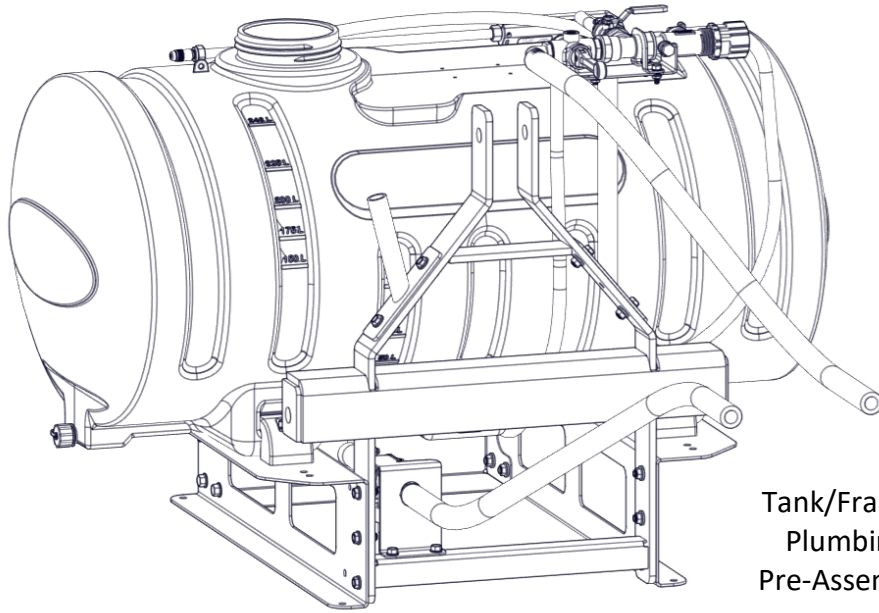
**Stop on level ground**, set the parking brake and shut off engine before leaving the operator's position for any reason.

**Keep all parts** in good condition and properly installed. Fix damaged or worn parts immediately.

**Caution should be taken** when towing and/or using any sprayer. This sprayer combined with the weight distribution, turning radius and speed of vehicle can result in damage to vehicle and/or sprayer or severe injury or death, if not used properly.

**Improper use of this sprayer or handling of chemicals could result in serious injury or illness, or could cause damage to the environment.**

# Contents of Carton



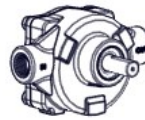
Owner's Manual



Tank/Frame/  
Plumbing  
Pre-Assembly



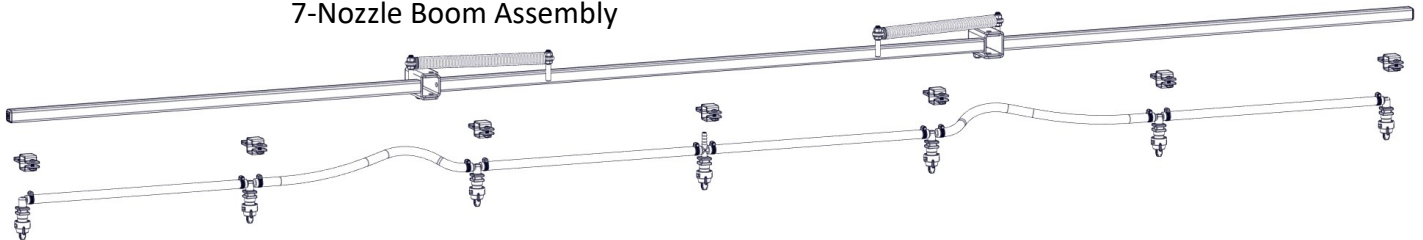
Tank Lid w/Lanyard



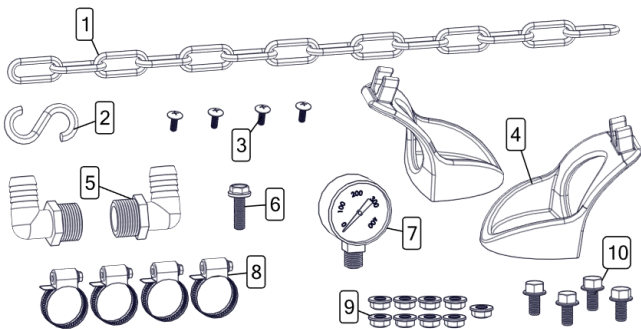
6-Roller Pump (6500C)

& Coupler

7-Nozzle Boom Assembly

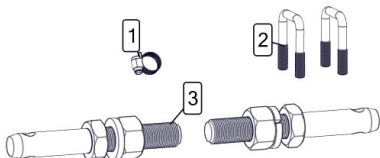


Parts Bag (#5282456)



Ref. #	Part #	Description	Qty
1	5049017	Torque Chain, 24"	1
2	5082006	"S" Hook	1
3	5117234	#10-24 x 0.50 PH Truss Head Screw	4
4	5133276	Hose Wrap	2
5	5010209	Poly Elbow, 3/4" MNPT x 3/4" HB	2
6	5117300	5/16-18 x 1.00 Fling Hex Bolt	1
7	5167005	Gauge, 0-400 p.s.i. (Dry)	1
8	5051024	Hose Clamp, 3/4"	4
9	5006307	5/16-18 Serrated Fling Hex Nut	9
10	5034634	5/16-18 x 0.625 Fling Hex Bolt	4

Bolted 3PT Square Boom Parts Bag (#5282433)



Ref. #	Part #	Description	Qty
1	5051144	Hose Clamp (3/8")	1
2	5034159	5/16-18 x 1.3125 x 1.875 Square U-Bolt	2
3	5101294	Lift Arm Pin - Cat 1	2

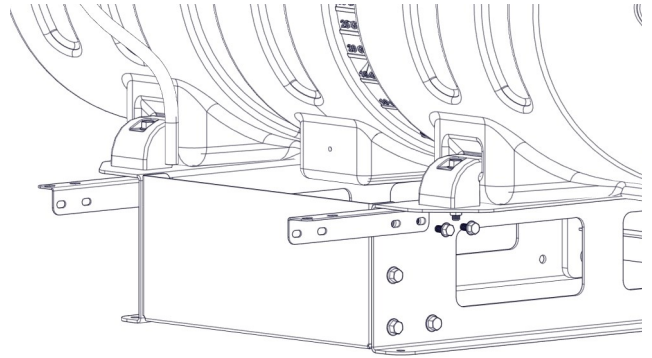
## Assembly Instructions:

Your sprayer has been mostly assembled at the factory.

Remove all parts from the box and follow the instructions on pages 4 and 5 to complete assembly of this unit.

### Step 1

Attach the two boom mounts to the frame, as shown, using (4) Flanged Hex Bolts and (4) Serrated Flanged Hex Nuts.



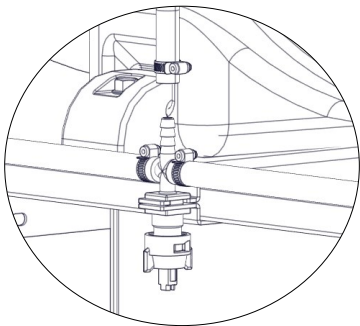
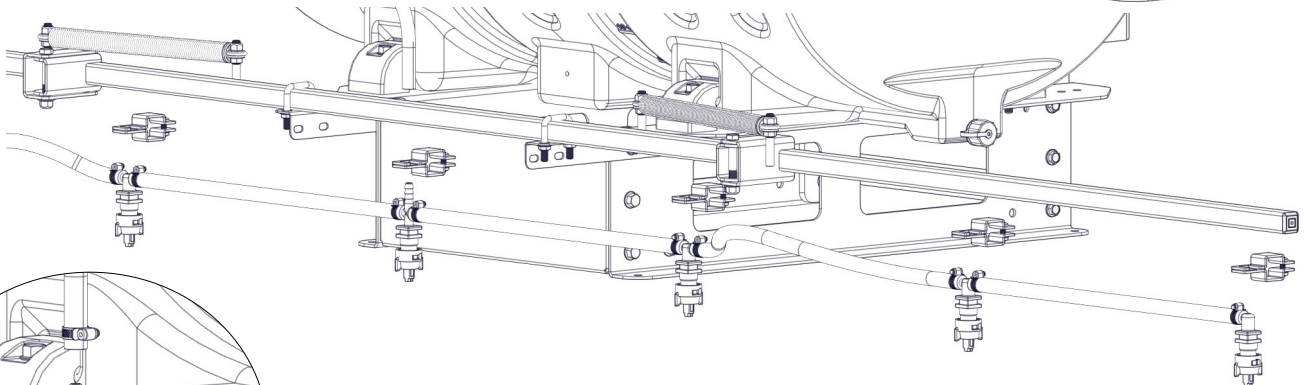
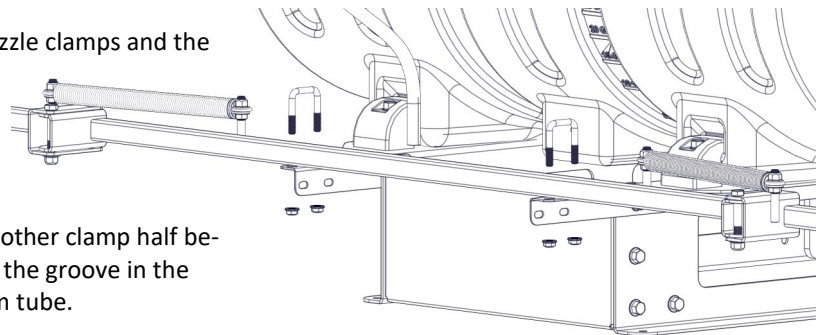
### Step 2

Unfold the outer boom arms. With the boom springs on top, center the boom between the boom mounts and secure to the boom mounts with square u-bolts and hex nuts.

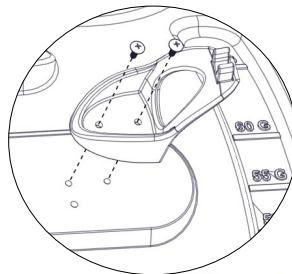
Now, attach the nozzle harness to the boom with the nozzle clamps and the nozzles to the inside of the fold, pointing down.

Starting with the center cross nozzle of the nozzle harness, center on the boom. Mount the nozzles 20" apart.

Place a clamp half over the top of the boom tube and another clamp half below the boom tube, slide the clamp halves together into the groove in the square part of the nozzle. Secure the clamps to the boom tube.



Loosely slide a hose clamp on to the feeder hose, connect the boom feeder hose to the hose barb tee on the nozzle harness and secure with the hose clamp.



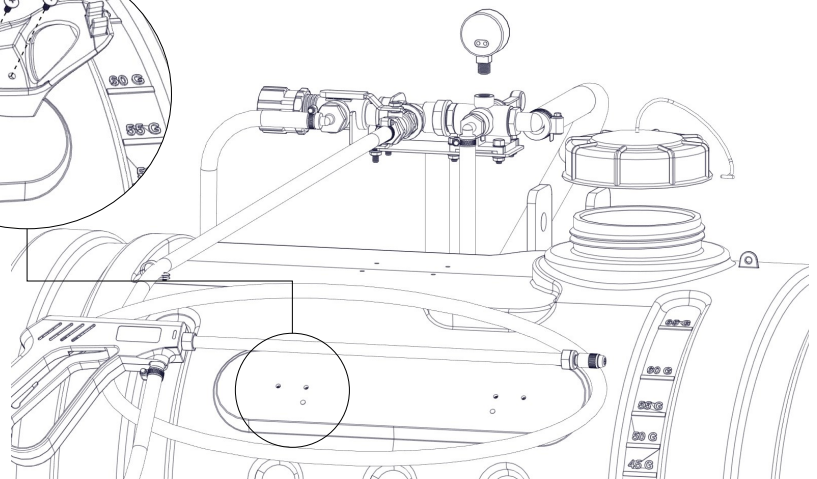
### Step 3

Thread the pressure gauge into the port on the manifold.

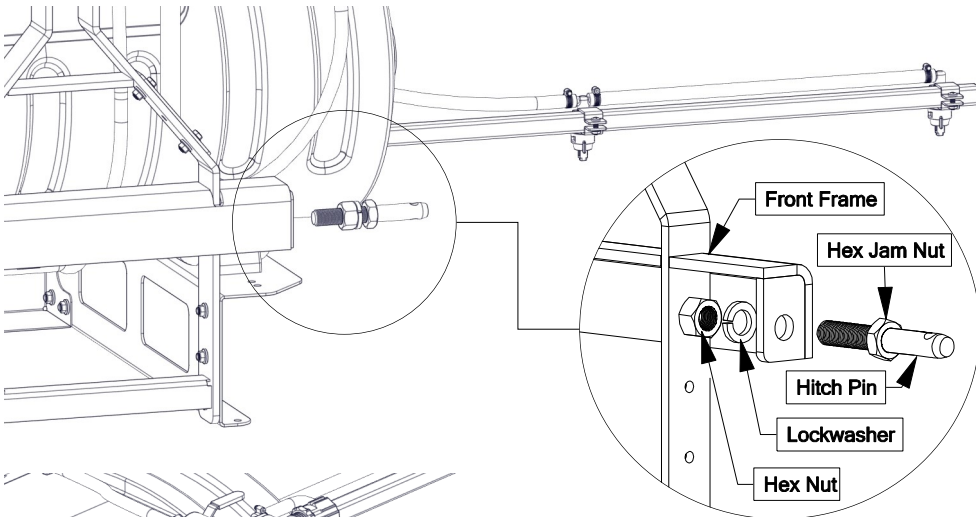
Hand tight should be sufficient.

Attach the hose wraps to the side of the tank, as shown, with 4 screws.

Thread the lid on to the tank, if not already done.

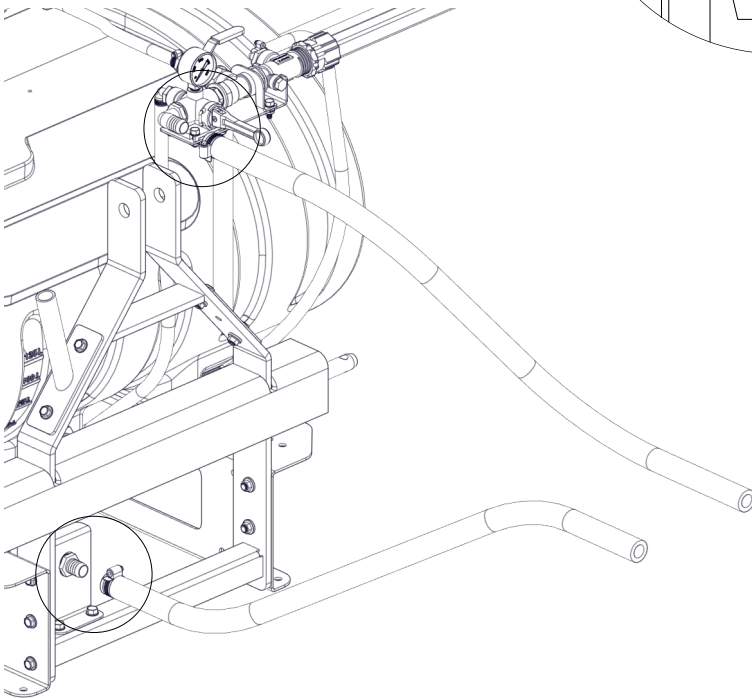


## Assembly Instructions (Cont.):



### Step 4

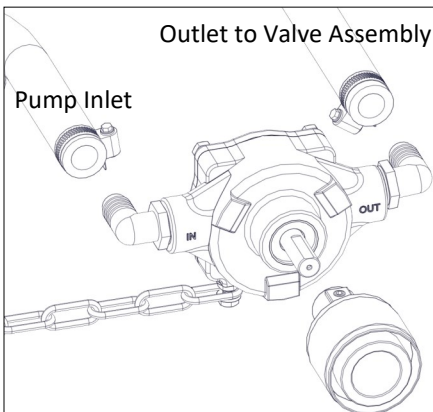
Install the lower hitch pins into the bracket lift arm. Place these pins through the holes in the pin plates, slip the lock washers on and thread the nuts onto the pin. Tighten securely.



### Step 5

Connect the 48" hose to the valve assembly and the 36" hose to the strainer assembly.

Slip a 3/4" hose clamp on to the 48" hose and with a twisting motion, attach the end to the valve assembly and tighten hose clamp to secure. Now slip a 3/4" hose clamp on to the 36" hose and with a twisting motion, attach the end to the strainer assembly and tighten hose clamp to secure.



### Step 6

Using a good quality thread sealant, thread the 3/4" fittings into the inlet (IN) side and to the outlet (OUT) side of the pump. Slip a 3/4" hose clamp on the hose coming from the strainer and with a twisting motion, attach the end of the hose to the fitting on the inlet side of the pump. Slip a 3/4" hose clamp onto the hose coming from the valve assembly and with a twisting motion, attach the hose to the output side of the pump, tighten both hose clamps.

The roller pump IS included with the assembly. Attach the adapter, the torque chain and S-hook to the pump as needed. It is intended for your pump to be mounted directly to the tractor PTO. The torque chain needs to be secured to the tractor to keep your pump from spinning.

- **Make sure ALL hose clamps are tight** before testing or spraying for the first time.
- The drain plug assembly should already be attached to the tank

**\*\*The Sprayer is now ready to TEST w/plain water before actual use\*\***

### Information About the Sprayer

Roller pumps are positive displacement pumps, which means that the entire solution being pumped must go somewhere or the pump will break. In this roller pumping system, solution is drawn from the tank and forced to a planned source, such as boom nozzles or handgun. The pressure is controlled by a pressure relief valve, which is a spring-loaded device that controls the amount of fluid bypassed (recirculated) to the tank. The gray handle is to be tightened to increase pressure and loosened to decrease pressure. The 'directo-valve' is the on/off control which allows the operator to manually control the solution going to the boom.

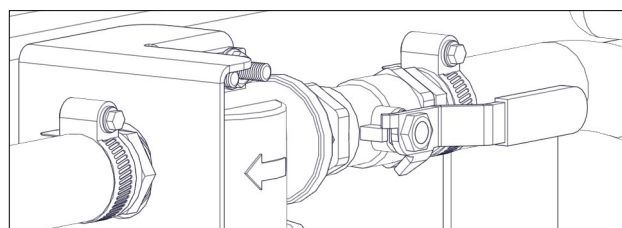
### Testing the Sprayer

Attach the sprayer to the tractor 3 point hitch. Mount the pump to the PTO and affix the torque chain. Open the tank lid and be sure the tank is clean and free of foreign material.

**NOTE:** It is VERY important to test the sprayer with plain water before actual spraying is attempted. This will enable you to check for leaks without the possibility of losing any expensive chemicals.

Fill the tank about 1/2 full with plain water.

Before starting, open the suction line valve (located underneath the carrier frame), turn the relief valve handle out to lower the line pressure. This will help prime the pump.



### CAUTION:

Always be sure that the water (or solution) has reached the pump before starting your sprayer. If the pump is allowed to run dry, serious damage to the pump will result.

Always have the pressure line open to the tips so that the air which may be trapped in the line will be forced (or purged) out.

Start the tractor PTO. Check the entire system for leaks. Once the pump is primed, the pressure may be increased by turning the handle of the pressure relief valve in. Keep the pressure line open to the tips when setting the pressure. Set the pressure and then lock the relief valve handle in place. Shut off the directo-valve and check for leaks again. Pressure will increase when the pressure line valve is closed and then return to the preset pressure when the valve is opened again.

During the testing period, be sure to observe the spray pattern given by the spray nozzles. If there is any pattern distortion, it will be necessary to remove and clean the affected tips.

**Caution:** Never use a metal object or other sharp item for cleaning a nozzle tip. It is better to use a nozzle brush (NOT wire brush) or compressed air for tip cleaning.

Conditions of weather and terrain must be considered when setting the sprayer. Do not spray on windy days. Protective clothing must be worn in some cases

**Be sure to read the chemical label(s) before application!**

### Operation & Calibration

The performance of any agricultural chemical depends upon the proper application.

The tips supplied as standard with the sprayer can be used for a wide variety of spraying applications. Other tip sizes are available for different coverages. The speed and pressure charts shown indicate the rates can be changed considerably by changing speed and pressure. The nozzles on the boom will spray a 140" wide swath. The proper nozzle height is a minimum of 16"-18" above the object being sprayed. The pumping system draws solution from the tank through the strainer/filter and to the pump. The pump forces the solution under pressure to the handgun and/or boom nozzles.

- Activate the handgun by squeezing the handle lever
- Rotating adjustable nozzle tip on the handgun will change the tip pattern from a straight stream to a cone pattern (fine mist)

**WARNING:** Some chemicals will damage the pump valves if allowed to soak untreated for a length of time! ALWAYS flush the pump as instructed after each use. DO NOT allow chemicals to sit in the pump for extended times of idleness. Follow the chemical manufacturer's instructions on disposal of all waste water from the sprayer.

When you are ready to spray, mix chemicals as follows. Add the proper amount of water to the tank. Run the sprayer while adding chemical to the water.

**Only fill the tank with what you're going to spray in a day, never leave chemicals sit in tank.**

Do NOT spray through the boom at this time. This will allow the solution to return ('bypass') to the tank. The movement of solution through the bypass will aid in mixing the water and chemicals. If this water movement is not enough to keep the chemical in suspension, it may be necessary to add an optional agitator kit. You should now be ready to spray.

Four things must be considered before spraying with the boom.

1. How much chemical must be mixed in the tank.
  2. Rate of spray (gallons per acre to be sprayed).
  3. What pressure (p.s.i.) will be used.
  4. Speed traveled (mph) while spraying.
- \* Refer to the chemical label to determine your chemical mixture  
 \* See the tip chart to determine the pressure to be used. The chart will also show the speed used when spraying.

Chemical labels may show application rates in gallons per acre, gallons per 1000 square feet or gallons per 100 square feet. You will note that the tip chart shows 2 of these rating systems.

AIXR11003VP Spray Tip Rate Chart (20" Spacing)									
	Pressure (psi)	Capacity (GPM)	1 MPH	2 MPH	3 MPH	4 MPH	5 MPH	6 MPH	8 MPH
Gallons Per Acre Based on Water	15	.18	53.6	26.8	17.8	13.4	10.7	8.9	6.7
	20	.21	62.4	31.2	20.8	15.6	12.5	10.4	7.8
	30	.26	77.2	38.6	25.8	19.3	15.4	12.9	9.7
	40	.30	88.0	44.0	29.8	22.0	17.8	14.9	11.1
Gallons Per 1000 Sq. Ft. Based on Water	15	.18		.61	.41	.31	.24		
	20	.21		.71	.48	.36	.29		
	30	.26		.88	.59	.44	.35		
	40	.30		1.0	.68	.51	.41		

Speed Chart			
	Time Required in seconds to travel a distance of		
Speed in M.P.H. (Miles Per Hour)	100 Ft.	200 Ft.	300 Ft.
1.0	68 sec.	136	205
2.0	34	68	102
3.0	23	45	68
4.0	17	34	51
5.0	14	27	41
6.0	11	23	34
7.0	9.7	19	29
8.0	8.5	17	26
9.0	7.6	15	23
10.0	6.8	14	20

Once you know how much you are going to spray, then determine (from the tip chart) the spraying pressure (PSI), and the spraying speed (MPH). The pressure can be set by running the sprayer with the boom nozzles 'on' and then adjusting the relief valve until the gauge reads the desired pressure. Notice that the pressure will go up when the boom line is shut off. This is normal and the pressure will return as before when you open the boom line. When selecting pressure from the tip chart, it is a good idea to try for the 20 or 30 p.s.i. range as this allows an excellent nozzle pattern. Spraying at 10 p.s.i. begins to break up the pattern and at 40 p.s.i. you may notice some drift.

Determining the proper speed of the pulling vehicle can be done by marking off 100, 200 & 300 feet. The speed chart indicates the number of seconds it takes to travel the distances. Set the throttle and with a running start, travel the distances. Adjust the throttle until you travel the distances in the number of seconds indicated by the speed chart. Once you have reached the throttle setting needed, mark the throttle location so you can stop and go again, returning to the same speed.

Add water and proper amount of chemical to the tank and drive to the starting place for spraying.

**Only fill the tank with what you're going to spray in a day, never leave chemicals sit in tank.**

#### Tank Care & Maintenance

**Warning:** Do not use the tank as a container for fuel oils, kerosene, gasoline or any other petroleum distillate product. All polyolefins are softened and permeated by such products. In an enclosed area the vaporization of these materials from the outside surface of the tank could create a dangerous condition.

Tank should not be used as a pressure vessel nor used with chemicals or solutions having a weight of more than 12 lbs. per gallon. Store the tank in a dry dark place when not in use. Storage out of sunlight will prolong the life of the tank.

Do not drop, strike or kick the tank, especially at low temperatures. Tanks become brittle and are subject to cracking at temperatures below 20° Fahrenheit.

Always flush the tank with water and a neutralizing agent at the end of each use, to prevent contamination of solutions.

#### Maintenance During/After Spraying

Periodically close the suction line valve and check the strainer and clean the screen. Always flush the entire plumbing system with water or a neutralizing agent after completing the spraying operation.

Proper care and maintenance will prolong the life of your sprayer.

After use, fill the sprayer tank part way with water. Start the sprayer and allow the clear water to be pumped through the plumbing system and out through the spray nozzles. Refill the tank about half full with plain water and use FIMCO Tank Neutralizer and Cleaner and repeat cleaning instructions above. Flush the entire sprayer with the neutralizing/cleaning agent, then flush out one more time with plain water. Follow the chemical manufacturer's disposal instructions of all wash or rinsing water. For the boom (if applicable) remove the tips and screens from the nozzle assemblies. Wash these items out thoroughly. Blow the orifice clean and dry. If the orifice remains clogged, clean it with a fine bristle (NOT WIRE) brush or with a toothpick. Do not damage the orifice. Water rinse and dry the tips before storing.

**WARNING:** Some chemicals will damage the pump valves if allowed to soak untreated for a length of time! ALWAYS flush the pump as instructed after each use. DO NOT allow chemicals to sit in the pump for extended times of idleness. Follow the chemical manufacturer's instructions on disposal of all waste water from the sprayer.

## Winter Storage

Drain all water out of your sprayer, paying special attention to the pump, handgun and valve(s). These items are especially prone to damage from chemicals and freezing weather.

The sprayer should be winterized before storage by pumping a solution of automotive antifreeze (containing a rust inhibitor) through the entire plumbing system. This antifreeze solution should remain in the plumbing system during the winter months.

When spring time comes and you are preparing your sprayer for the spray season, rinse the entire plumbing system out, clearing the lines of the antifreeze solution. Proper care and maintenance will prolong the life of your sprayer.

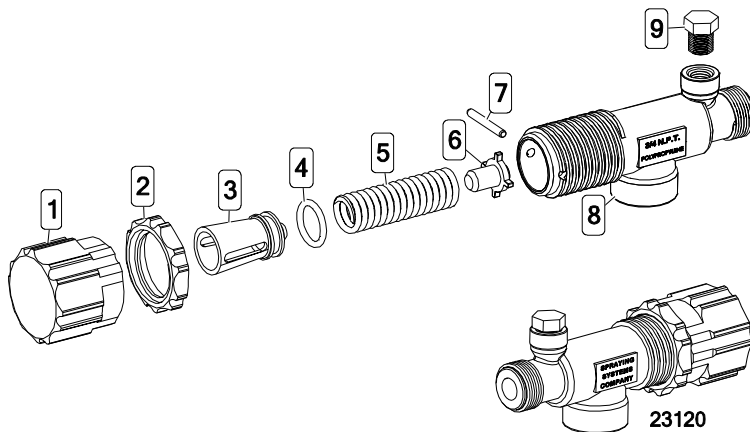
## Piston Type Pressure Relief/Regulating Valves

Bypasses excess fluid. Adjustable to maintain control of line pressure at any pressure within the valve operating range.

Selected pressure setting firmly held in place by locknut. Extra large passages to handle large flows.

- Polypropylene with stainless steel spring
- Excellent chemical resistance
- EPDM O-Rings
- Fore pressure to 150 p.s.i.
- 1/4" port for pressure gauge
- 3/4" NPT (M) inlet & (F) outlet connections

Ref. #	Part #	Mfg. Part #	Description
1	5046270	CP23122-NY	Adjusting Cap, Nylon (Gray)
2	5110266	CP23123-PP	Lock Ring
3	◆◆	CP23124-PP	Spring Retainer
4	**	CP7717-15-EPR	O-Ring, EPDM Rubber
5	**	CP23127-302SS	Spring
6	◆◆	CP23125-PP	Guide Seat
7	**	CP23126-302SS	Retaining Pin
8	CP23121-PP	CP23121-PP	Poly Body (3/4" NPT)
9	5102022	F14	Pipe Plug, 1/4" MNPT



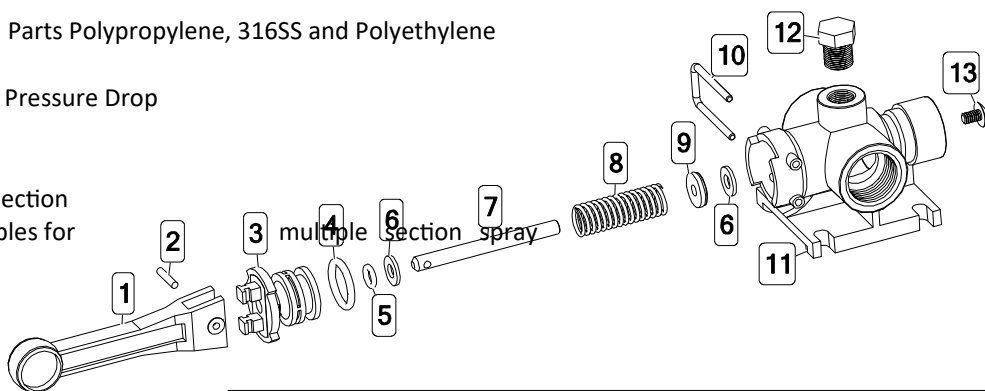
Ref. #	Part #	Mfg. Part #	Description
1	5143199	23120-3/4-PP	Pressure Relief Valve, (3/4" NPT)
2	5168717	PK-AB23120-KIT	Repair Kit, Items Marked **

\*\* Available only in Repair Kit

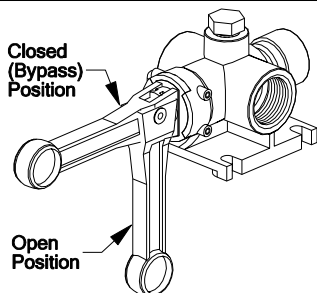
◆◆: Only Available in Complete Assembly

## 'Directo Valve' - Manually Operated Control Valve

- Corrosion Resistant Materials: Wetted Parts Polypropylene, 316SS and Polyethylene
- Maximum Pressure = 150 p.s.i.
- Large Capacity - 12.5 G.P.M. @ 5 p.s.i. Pressure Drop
- 3/4" NPT (F) Inlet Connection
- 1/2" NPT (F) Spray Line Connection
- 3/4" NPT (F) Continuous By-Pass Connection
- Valves may be connected w/close nipples for control



Fimco #	Mfg. Part #	Description
5143316	AA6B	Directo-Valve (AA6B)
5168718	PK-AB6B-KIT	Repair Kit, Items Marked **



Ref. #	Part #	Mfg. Part #	Description	Qty
1	5078178	CP36301-NY	Handle (Gray)	1
2	5101220	CP36308-SS	Groove Pin	1
3	5086043	CP36302-PP	Poly Body Insert, (Black)	1
4	**	CP7717-2/209-VI	O-Ring, Viton	1
5	**	CP7717-2/108-VI	O-Ring, Viton	1
6	◆◆	CP36307-PPB	Washer	2
7	◆◆	CP36304-SS	Stem	1
8	◆◆	CP36306-302SS	Spring	1
9	**	CP38726-VI	Shut-Off Washer, Viton	1
10	◆◆	CP36309-302SS	Retaining Clip	1
11	5002476	CP36303-PP	Poly Body (AA6B)	1
12	5102022	F14	Pipe Plug, 1/4" MNPT	1
13	5117281	CP38725-SS	#10-24 x 5/16" Phillips Truss Head Mach. Screw	1

\*\* Available only in Repair Kit

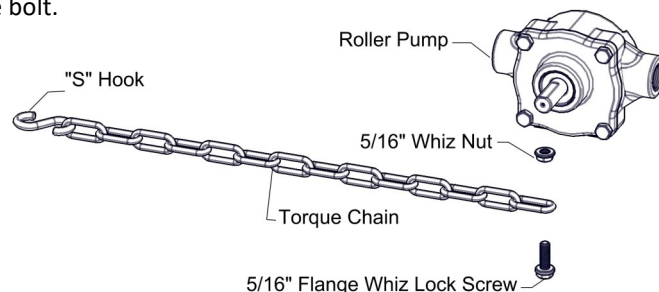
◆◆: Only Available in Complete Assembly



### Torque Chain Attachment to a Roller Pump

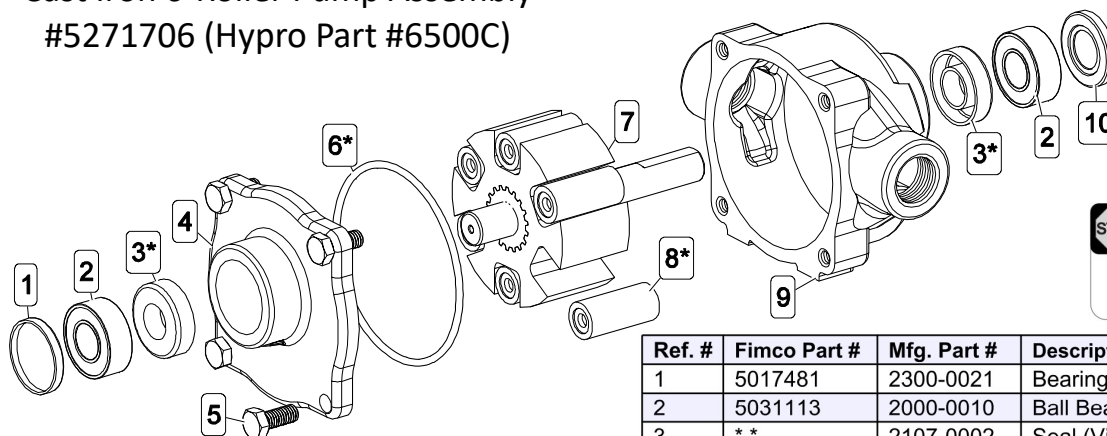
A torque chain, 'S' hook, nut and bolt are included in this assembly to secure your pump during operation.

1. Attach one end of the torque chain over the threaded stem of the bolt.
2. Thread the whiz nut onto the bolt. Hand-tighten.
3. Thread the bolt, chain and nut 'pre-assembly' into the threaded hole on the underside of the pump. Tighten sufficiently.
4. Affix the 'S' Hook to your frame (or hitch). Wrap the chain around the frame or hitch and 'S-Hook' it in place. Make sure this connection is very secure! Not having a good, tight connection may result in the pump spinning on your PTO shaft and damaging some components of your sprayer.



\*\*\* Insure that this connection point will not allow the roller pump to spin on the PTO shaft \*\*\*

### Cast Iron 6-Roller Pump Assembly #5271706 (Hypro Part #6500C)



\*\* = Only Available in Repair Parts Kit #7771795 (3430-0380)  
Consists of Rollers, O-Ring & Viton Seals  
◆◆ = ONLY Available in Complete Assembly

Ref. #	Fimco Part #	Mfg. Part #	Description	Qty
1	5017481	2300-0021	Bearing Cover	1
2	5031113	2000-0010	Ball Bearing (Sealed)	2
3	**	2107-0002	Seal (Viton)	2
4	◆◆	0200-6600C	Endplate (Cast Iron) w/Seal	1
5	5034038	- - -	H.H.C.S. 5/16"-18nc x 3/4"	4
6	**	1720-0008	O-Ring Gasket for Endplate	1
7	◆◆	0300-6600C	Rotor/Shaft Assembly	1
8	**	1005-0004	Super Roller (Standard)	6
9	◆◆	0100-6600C	Body (Cast Iron) w/Seal	1
10	5017480	2300-0023	Shaft Bearing Cover	1

### Roller Pump General Safety Information

1. Use a pressure relief device on the discharge side of the pump to prevent damage from pressure buildup when the pump discharge is blocked or otherwise closed and the power source is still running.
2. **WARNING:** Never pump flammable or explosive fluids such as gasoline, fuel oil, kerosene, etc. Never use in explosive atmospheres. The pump should be used only with liquids compatible with the pump component materials. Failure to follow this warning can result in personal injury and/or property damage and will void the product warranty.
3. Never pump acids (i.e. acid fertilizer) with Super Rollers!
4. Never run the pump faster than maximum recommended speed.
5. Never pump at pressures higher than the maximum recommended pressure.
6. Never pump liquids at temperatures higher than the recommended maximum temperatures (140°F/60°C).
7. Make certain that the power source conforms to the requirements of your equipment.
8. Provide adequate protection in guarding around the moving parts such as the shaft and pulleys.
9. Disconnect power before servicing.
10. Release all pressure within the system before servicing any component.
11. Drain all liquids from the system before servicing any component.
12. Check all hoses for weak or worn condition before each use. Make certain that all connections are tight and secure.
13. Periodically inspect the pump and the system components. Perform routine maintenance as required.
14. Never operate a gasoline engine in an enclosed area. Be sure the area is well ventilated.
15. Use only pipe, hose and fittings rated for the maximum psi rating of the pump.
16. Never use pump for pumping water or other liquids for human or animal consumption.

## Roller Pump Operation & Maintenance

**WARNING:** Never pump corrosive or abrasive liquids as these will cause rapid wear or deterioration of the body, rotor, shaft and seals in the pump. The pump should be used on with liquids compatible with pump component materials. Never exceed maximum specified rpm and pressure. Never run pump dry. Failure to follow this warning will void the product warranty.

### Priming the Pump:

To help prime the pump, keep the inlet or suction line as short as possible with a minimum of bends, elbows and kinks. Make sure all connections are tight and do not leak air. Make sure line strainer is free of debris. If pump does not self-prime, disconnect suction hose, fill with water and reconnect to liquid source. Often a squirt of oil into the ports of the pump will seal clearance and help priming.

### Care of the Pump:

Proper care and maintenance will keep your pump wear at a minimum and will keep it running smoothly and trouble-free for a long time.

### Flush the Pump After Each Use

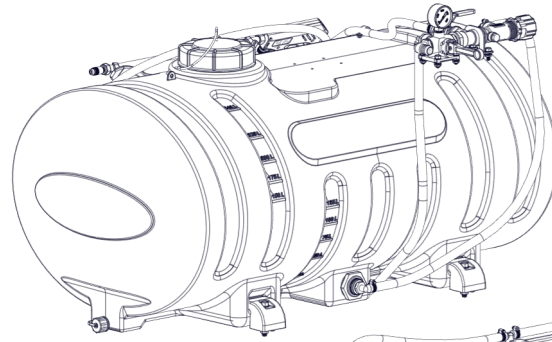
**One of the common causes of faulty pump performance is “gumming” or corrosion inside the pump. This prevents rollers from moving freely in their rotor slots. Flush the pump with a solution that will neutralize liquid pumped, mix according to manufacturer’s directions.**

### To Prevent Corrosion:

After cleaning pump as above, flush it with a 50-50 solution of permanent-type automotive antifreeze (containing a rust inhibitor) and water. A rust inhibitor can also be squirted into the ports of the pump. Turn shaft several times to draw protective liquid through pump and coat entire inner surface. Drain pump and plug ports to keep out air during storage. For short periods of idleness, noncorrosive liquids may be left in the pump, but air must be kept out. Plug ports or seal port connections.

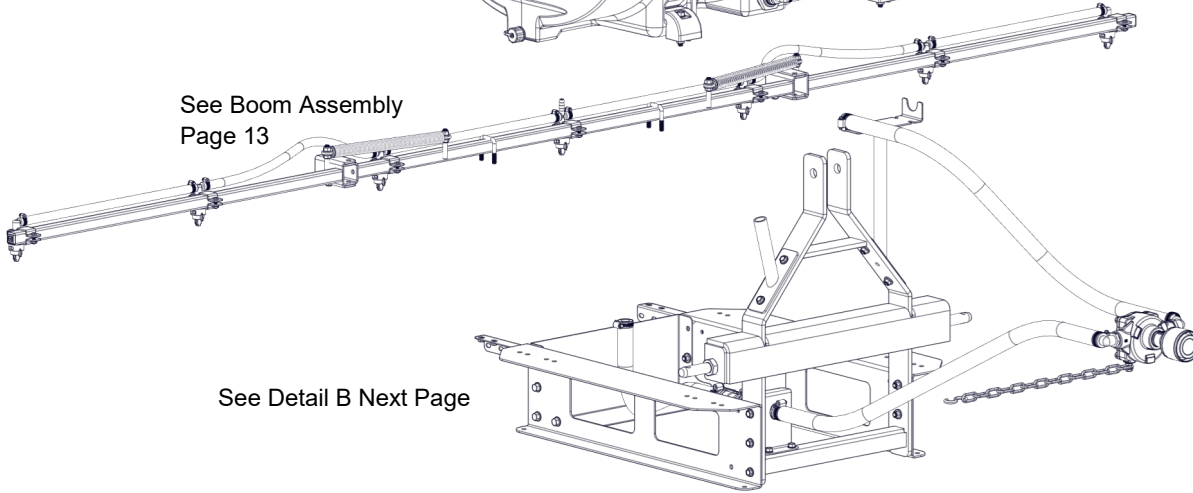
Troubleshooting		
Symptom	Probable Cause(s)	Corrective Action
Pump Does Not Prime	Leak in suction line	Check hose and fittings for leaks and correct
	Obstruction in suction line	Inspect hose for debris or loose inner liner in hose
	Suction strainer clogged	Clean strainer
	Suction hose sucked to bottom or side of tank	Cut a notch or "V" in end of suction hose
	Air lock in pump	Run pump with discharge hose removed to clear air lock
	Pump worn	Replace or repair pump
	Rollers stuck in pump	Disassemble pump and inspect rollers
Loss of Pressure	Pump seals worn, leaking air	Replace seals
	Clogged suction strainer	Check strainer and clean it regularly
	Kinked or blocked suction hose	Inspect suction hose and repair as necessary
	Air leak in inlet side plumbing	Check hose and connections for leaks Use pipe joint sealant and retighten connections
	Relief valve setting too low or weakened spring	Check relief valve and correct setting
	Faulty Gauge	Replace gauge
	Pump seals leak air	Replace seals
	Nozzle orifices worn	Replace nozzles
Erratic Pressure Gauge Fluctuates Excessively	Pump worn	Repair pump
	Suction line has air leak	Tighten all fittings and hoses between pump and tank
	Debris in valve or gauge	Remove and clean parts
	Kinked or blocked suction hose	Remove suction line and clean-check tank and strainer
	Air leak in suction hose	Tighten all fittings - replace hose if necessary
	Suction hose collapsed	Replace hose
Pump will not turn	Pump is sucking air or air has not been evacuated from strainer	Make sure suction hose is tightly secured. Run pump with discharge hose removed to remove air lock from pump
	Corrosion (rust), scale or residue	Loosen endplate bolts. Squirt oil into ports to help free rotor. Retighten bolts.
Pump Leaks	Solid object lodged in pump.	Disassemble pump and remove objects
	Worn out seal	Replace seal
Excessive Vibration or Noisy Pump	Loose coupler or damaged shaft	Inspect shaft and tighten coupler
	Excessive PTO or engine speed	Reduce PTO or engine speed
	Rotor or internal problem	Replace rotor or pump
	Partially clogged strainer	Clean strainer
	Air leak in suction hose	Inspect suction hose - replace if necessary
Pump Runs, but Low Pressure	Debris in suction line	Clear debris
	Hose kinked	Straighten or replace hose if necessary
	Worn rollers	Replace rollers
	Strainer clogged	Clean strainer
Pump Pressure Good, but Low Output Through Nozzles	Nozzle size may be too small or clogged	Clean nozzles - replace nozzles if necessary
	Inlet line too small or blocked	Clear blockage and if necessary replace hose
	By-pass open too much	Close slightly

**Exploded View:**  
**3PT-65-6R-7**  
**(5303252)**  
 (Refer to Next Page  
 for Part Numbers)

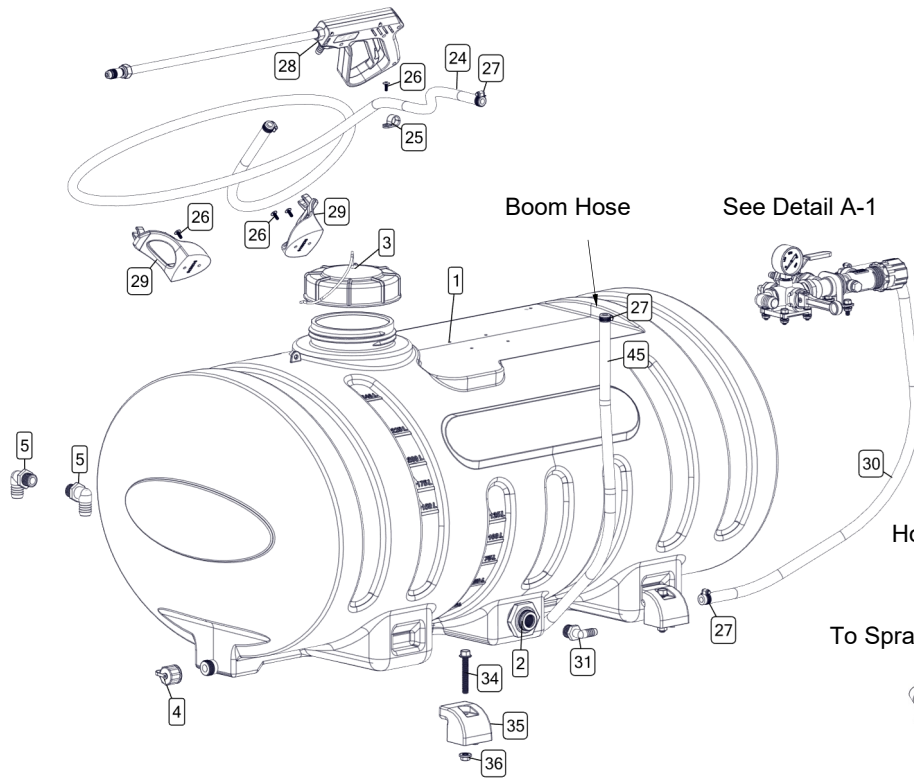


See Detail A Below

See Boom Assembly  
 Page 13

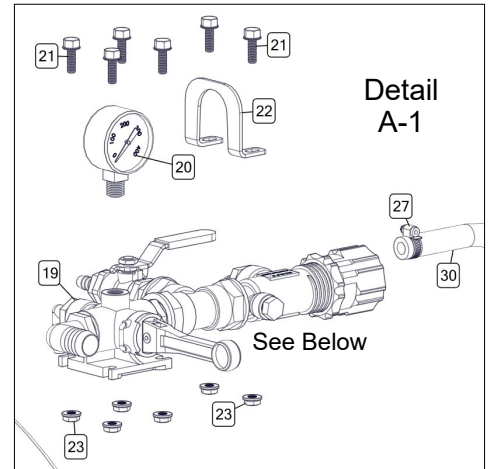


See Detail B Next Page



Boom Hose

See Detail A-1

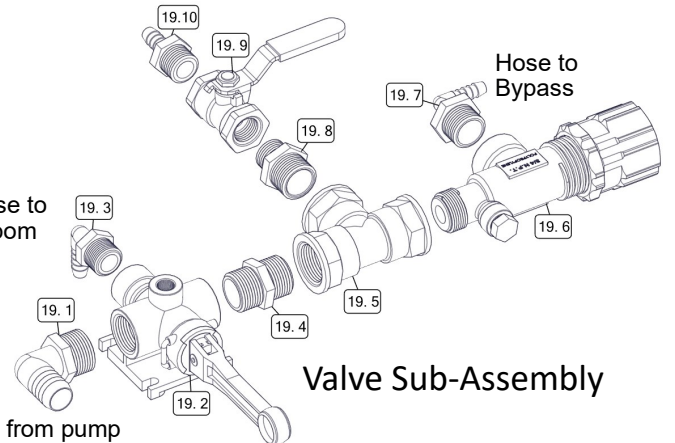


**Detail  
 A-1**

See Below

Hose to Bypass

To Spray Gun Hose



Hose to  
 Bypass

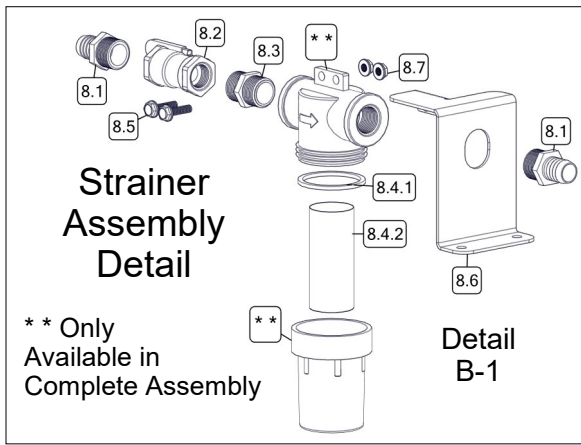
Hose to  
 Boom

**Valve Sub-Assembly**

Hose from pump

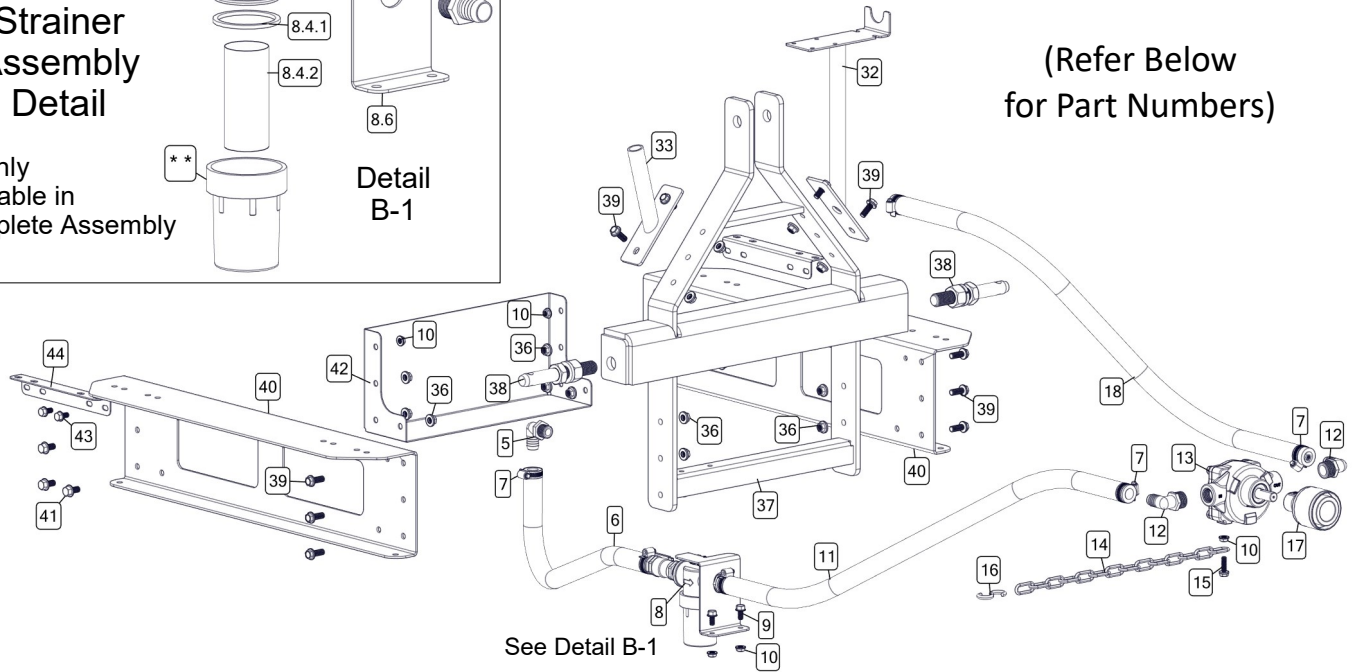
**Detail A**

(Refer to Next Page  
 for Part Numbers)



Detail B

(Refer Below for Part Numbers)



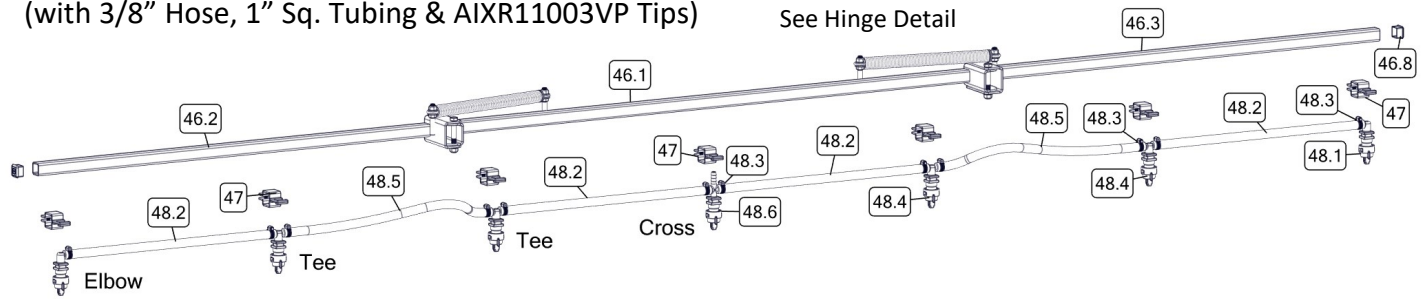
### Parts List: 3PT-65-6R-7 (5303252)

Ref. #	Part #	Description	Qty
1	5169361	65 Gallon Elliptical Tank	1
2	5273736	3/4" HD Double Threaded Bulkhead	2
3	5058188	Tank Lid w/Lanyard	1
4	5274373	Drain Plug Cap	1
5	5010209	Poly Elbow, 3/4" MNPT x 3/4" HB	2
6	5020974	Hose, 3/4"-2 Brd. x 25-1/2"	1
7	5051024	Hose Clamp, 3/4"	6
8	5282454	Filter Assembly	1
8.1	5067127	Poly Fitting, 3/4" MNPT x 3/4" HB	2
8.2	5143190	3/4" "T-800" Brass Ball Valve	1
8.3	5011140	Poly Close Nipple, 3/4" MNPT	1
8.4	5116322	3/4" Black Poly Strainer	1
8.4.1	5072229	EPDM Gasket	1
8.4.2	5116323	40 Mesh Screen	1
8.5	5117301	1/4-20 x 1.00 Fling Hex Bolt	2
8.6	5095998-BLK	Filter Mount	1
8.7	5006306	1/4-20 Serrated Fling Hex Nut	2
9	5034634	5/16-18 x 0.625 Fling Hex Bolt	2
10	5006307	5/16-18 Serrated Fling Hex Nut	11
11	5020105	Hose, 3/4"-2 Brd. x 36"	1
12	5010209	Poly Elbow, 3/4" MNPT x 3/4" HB	2
13	5271706	6-Roller Pump Assembly (6500C)	1
14	5049017	Torque Chain, 24"	1
15	5117300	5/16-18 x 1.00 Fling Hex Bolt	1
16	5082006	"S" Hook	1
17	5057145	Quick Coupler (5/8")	1
18	5020227	Hose, 3/4"-1 Brd. x 48"	1
19	5277754	Valve Sub-Assembly	1
19.1	5010209	Poly Elbow, 3/4" MNPT x 3/4" HB	1
19.2	5143316	Directo-Valve (AA6B)	1
19.3	5010202	Poly Elbow, 1/2" MNPT x 3/8" HB	1
19.4	5011140	Poly Close Nipple, 3/4" MNPT	1
19.5	5010231	Poly Tee, 3/4" FNPT	1
19.6	5143199	Pressure Relief Valve, (3/4" NPT)	1
19.7	5010206	Poly Elbow, 3/4" MNPT x 3/8" HB	1

Ref. #	Part #	Description	Qty
19.8	5011147	Reducing Nipple, 3/4" MNPT x 1/2" MNPT	1
19.9	5143197	1/2" T-800 Brass Ball Valve	1
19.10	5067130	Poly Fitting, 1/2" MNPT x 3/8" HB	1
20	5167005	Gauge, 0-400 p.s.i. (Dry)	1
21	5034610	1/4-20 x 0.75 Fling Hex Bolt	6
22	5095999-BLK	3PT Valve Mount	1
23	5006306	1/4-20 Serrated Fling Hex Nut	6
24	5020527	Hose, 3/8"-1 Brd. x 25 Ft.	1
25	5051122	5/8" Black Nylon Loom Cable Clamp	1
26	5117234	#10-24 x 0.50 PH Truss Head Screw	5
27	5051144	Hose Clamp (3/8")	6
28	5273959	Deluxe Pistol-Grip Handgun w/X-26 Tip	1
28.1	5018331	Brass Handgun Tip (X-26)	1
29	5133276	Hose Wrap	2
30	5020533	Hose, 3/8"-1 Brd. x 29 3/4"	1
31	5010206	Poly Elbow, 3/4" MNPT x 3/8" HB	1
32	5282449-BLK	65G 3PT Valve Mount	1
33	5282448-BLK	65G 3PT Pump Storage	1
34	5034667	3/8-16 x 2.50 Fling Hex Bolt (Full Thread)	4
35	5095990	Tank Clamp	4
36	5006259	3/8-16 Serrated Fling Hex Nut	20
37	5282446-RED	65G 3PT Front Frame	1
38	5101294	Lift Arm Pin - Cat 1	2
39	5117307	3/8-16 x 1.00 Fling Hex Bolt	10
40	5070187-RED	65G 3PT Side Frame	2
41	5034660	3/8-16 x 0.75 Fling Hex Bolt	6
42	5282445-RED	Back Plate	1
43	5034634	5/16-18 x 0.625 Fling Hex Bolt	4
44	5095993-BLK	Boom Mount	2
45	5020134	Hose, 3/8"-1 Brd. x 60"	1
46	5277780	7-Nozzle Boom Assembly	1
47	5277923	Nozzle Clamp (1" Square Tube)	7
48	5282442	7-Nozzle Harness 0.3 AIXR	1
49	5034159	5/16-18 x 1.3125 x 1.875 Square U-Bolt	2

# 7-Nozzle AIXR 0.3 Boom (with 3/8" Hose, 1" Sq. Tubing & AIXR11003VP Tips)

Opposite Side has Typical Hardware Setup



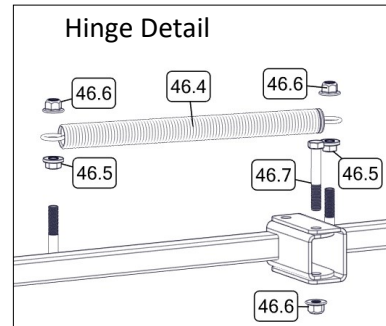
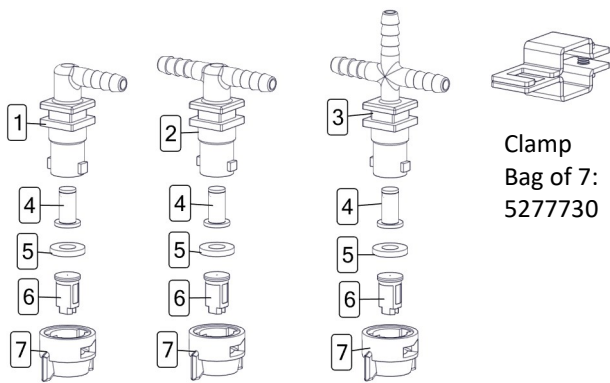
Ref. #	Part #	Description	Qty
46	5277780	7-Nozzle Boom Assembly	1
46.1	5277838-BLK	Center Boom Weldment 1" Sq. Tube	1
46.2	5277837-BLK	Outer Boom Weldment (LH) (1" Sq Tube)	1
46.3	5277836-BLK	Outer Boom Weldment (RH) (1" Sq Tube)	1
46.4	5019228	Extension Spring	2
46.5	5006259	3/8-16 Serrated Flng Hex Nut	4
46.6	5006345	3/8-16 Flng Top-Lock Hex Nut	6
46.7	5034169	3/8-16 x 2.50 Hex Bolt	2
46.8	5046106	Square Cap, Black (1" Square Tube)	2

Ref. #	Part #	Description	Qty
47	5277923	1" Nozzle Clamp	7
48	5282442	7-Nozzle Harness 0.3 AIXR	1
48.1	5282501	Nozzle Assembly - AIXR11003VP - Elbow	2
48.2	5020531	Hose, 3/8"-1 Brd. x 19-3/8" NBR & PVC	4
48.3	5051144	Hose Clamp (3/8")	12
48.4	5282502	Nozzle Assembly - AIXR11003VP - Tee	4
48.5	5020534	Hose, 3/8"-1 Brd. x 21"	2
48.6	5282503	Nozzle Assembly - AIXR11003VP - Cross	1

Elbow

Tee

Cross



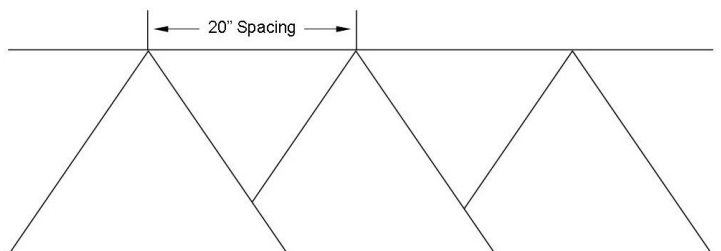
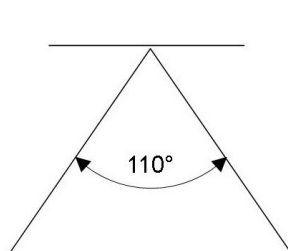
Ref. #	Part #	Description
1	5056113	Nozzle Body - QJ - Elbow - 3/8"
2	5056114	Nozzle Body - QJ - Tee - 3/8"
3	5056115	Nozzle Body - QJ - Cross - 3/8"
4	5143543	Nozzle Check Strainer, Blue (50 Mesh)
5	5016157	Seat Washer - EPDM - QJ Caps
6	AIXR11003VP	Air-Induction XR Flat Spray Tip
7	5046217	Quick Cap - Blue

Based on the minimum overlap required to obtain uniform distribution with 110° tips and 20" spacing.

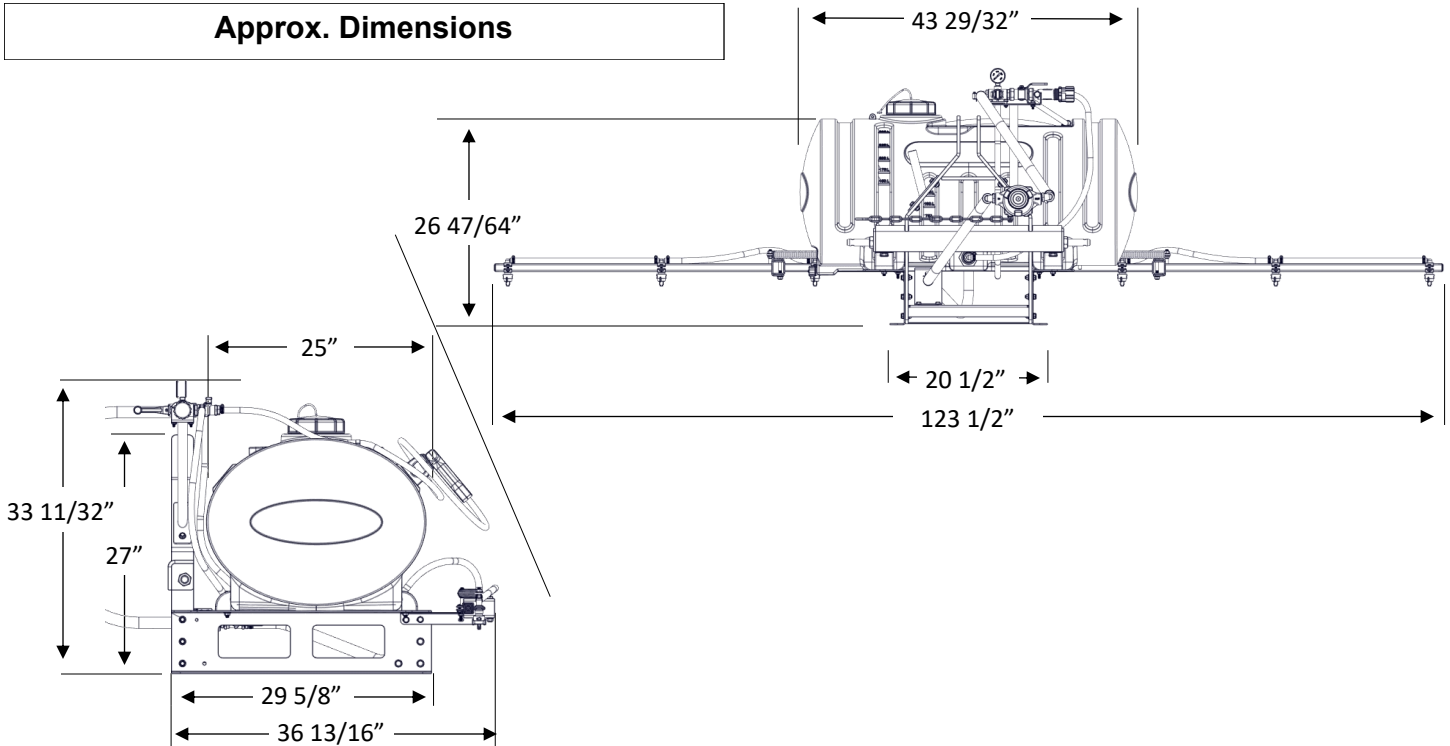
Suggested Minimum Spray Height: 16"-18" above what is being sprayed (to plant, not ground).

Optimum Spray Height: 20"

- 110° wide, tapered flat spray angle with air induction technology for better drift management
- Made of 2-piece UHMWPE polymer construction which provides excellent chemical resistance, including acids, as well as exceptional wear life
- Compact size to prevent tip damage
- Excellent for systemic products and drift management



## Approx. Dimensions



## Warranty

### LIMITED WARRANTY FOR NEW FIMCO, IND. EQUIPMENT

**WHO MAY USE THIS LIMITED WARRANTY.** This limited warranty (the "Limited Warranty") is provided by Fimco, Ind. to the original purchaser ("you") of the Equipment (as defined below) from Fimco, Ind. or one of Fimco, Ind.'s authorized dealers. This Limited Warranty does not apply to any subsequent owner or other transferee of the Equipment. THIS LIMITED WARRANTY GIVES YOU SPECIFIC LEGAL RIGHTS, AND YOU MAY ALSO HAVE OTHER RIGHTS WHICH VARY FROM STATE TO STATE.

**WHAT THIS LIMITED WARRANTY COVERS AND FOR HOW LONG.** Fimco, Ind. warrants that any new Equipment will be free from defects in material and workmanship for a period of **one (1) year** (homeowner), **90 days** (commercial user), after delivery of the Equipment to you (the "Warranty Period"). The Warranty Period is not extended if Fimco, Ind. repairs or replaces the Equipment.

**WHAT IS NOT COVERED BY THIS LIMITED WARRANTY.** This Limited Warranty does not apply to: (1) used Equipment; (2) any Equipment that has been altered, changed, repaired or treated since its delivery to you, other than by Fimco, Ind. or its authorized dealers; (3) damage or depreciation due to normal wear and tear; (4) defects or damage due to failure to follow Fimco, Ind.'s operator's manual, specifications or other written instructions, or improper storage, operation, maintenance, application or installation of parts; (5) defects or damage due to misuse, accident or neglect, "acts of God" or other events beyond Fimco, Ind.'s reasonable control; (6) accessories, attachments, tools or parts that were not manufactured by Fimco, Ind., whether or not sold or operated with the Equipment; or (7) rubber parts, such as tires, hoses and grommets.

**HOW TO OBTAIN WARRANTY SERVICE.** To obtain warranty service under this Limited Warranty, you must (1) provide written notice to Fimco, Ind. of the defect during the Warranty Period and within **thirty (30)** days after the defect becomes apparent or the repair becomes necessary, at the following address: Fimco, Ind., 1000 Fimco Lane, North Sioux City, SD 57049; and (2) make the Equipment available to Fimco, Ind. or an authorized dealer within a reasonable period of time. For more information about this Limited Warranty, please call: **800-831-0027**.

**WHAT REMEDIES ARE AVAILABLE UNDER THIS LIMITED WARRANTY.** If the conditions set forth above are fulfilled and the Equipment or any part thereof is found to be defective, Fimco, Ind. shall, at its own cost, and at its option, either repair or replace the defective Equipment or part. Fimco, Ind. will pay for shipping and handling fees to return the repaired or replacement Equipment or part to you.

**LIMITATION OF IMPLIED WARRANTIES AND OTHER REMEDIES.** THE REMEDIES DESCRIBED ABOVE ARE YOUR SOLE AND EXCLUSIVE REMEDIES, AND FIMCO, IND.'S SOLE LIABILITY, FOR ANY BREACH OF THIS LIMITED WARRANTY. TO THE EXTENT APPLICABLE, ANY IMPLIED WARRANTIES, INCLUDING, WITHOUT LIMITATION, THE IMPLIED WARRANTIES OF MERCHANTABILITY AND FITNESS FOR A PARTICULAR PURPOSE, SHALL BE LIMITED IN DURATION TO THE WARRANTY PERIOD, AND THE REMEDIES AVAILABLE FOR BREACH THEREOF SHALL BE LIMITED TO THE REMEDIES AVAILABLE UNDER THIS EXPRESS LIMITED WARRANTY. SOME STATES DO NOT ALLOW LIMITATIONS ON HOW LONG AN IMPLIED WARRANTY LASTS, SO THE ABOVE LIMITATION MAY NOT APPLY TO YOU. IN NO EVENT SHALL FIMCO, IND.'S LIABILITY UNDER THIS LIMITED WARRANTY EXCEED THE ACTUAL AMOUNT PAID BY YOU FOR THE DEFECTIVE EQUIPMENT, NOR SHALL FIMCO, IND. BE LIABLE, UNDER ANY CIRCUMSTANCES, FOR ANY CONSEQUENTIAL, INCIDENTAL, SPECIAL OR PUNITIVE DAMAGES OR LOSSES, WHETHER DIRECT OR INDIRECT. SOME STATES DO NOT ALLOW THE EXCLUSION OR LIMITATION OF INCIDENTAL OR CONSEQUENTIAL DAMAGES, SO THE ABOVE LIMITATION OR EXCLUSION MAY NOT APPLY TO YOU.