

# INSTRUCTIONS FOR ASSEMBLY, OPERATION, SERVICING & STORAGE

DELUXE 50 GALLON UTV SPRAYERS



## TABLE OF CONTENTS

|   |    |
|---|----|
| TOOLS REQUIRED & INCLUDED HARDWARE .....              | 3  |
| UTV SPRAYER COMPONENTS .....                          | 3  |
| UTV SPRAYER ASSEMBLY .....                            | 5  |
| IMPORTANT SAFETY INFORMATION .....                    | 8  |
| GENERAL CHEMICAL SAFETY .....                         | 8  |
| BEFORE SPRAYING .....                                 | 8  |
| DURING SPRAYING .....                                 | 9  |
| AFTER SPRAYING .....                                  | 9  |
| OPERATION - PREPARING & USING SPRAYER .....           | 10 |
| PREPARING SPRAYER .....                               | 10 |
| USING SPRAYER .....                                   | 10 |
| SPOT SPRAYING .....                                   | 10 |
| BROADCAST SPRAYING .....                              | 10 |
| OPERATION - CLEANING, DECONTAMINATING & STORAGE ..... | 11 |
| TROUBLESHOOTING .....                                 | 12 |
| TROUBLESHOOTING TABLE .....                           | 12 |
| SPRAYER BREAKDOWN .....                               | 13 |

## INTRODUCTION

Congratulations on the purchase of your 12 Volt Sprayer. This sprayer has been manufactured to provide years of dependable and efficient use in spraying a wide range agricultural pesticides, herbicides and other non-flammable liquids.

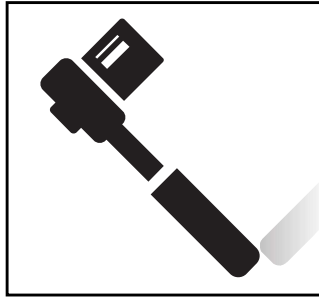
### IMPORTANT NOTE:

**THE PURPOSE OF THIS MANUAL IS TO ASSIST YOU IN THE ASSEMBLY, OPERATION, SERVICING AND STORAGE OF YOUR SPRAYER. PLEASE READ THROUGH THIS MANUAL COMPLETELY TOO FULLY UNDERSTAND HOW TO OPERATE AND MAINTAIN YOUR EQUIPMENT. KEEP YOUR MANUAL IN A SAFE, CONVENIENT PLACE FOR FUTURE REFERENCE. ALWAYS MENTION THE MODEL AND PART NUMBER IN ANY CORRESPONDENCE.**

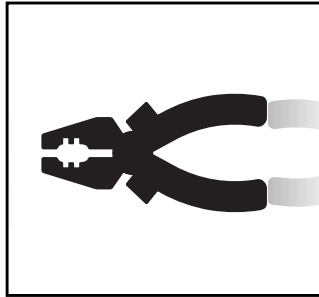
## WARRANTY

Sprayers sold shall be warranted from defects in workmanship and material when used within the service and scope for which they were designed for a period of two years from date of purchase. Warranty covers replacement parts **ONLY**.

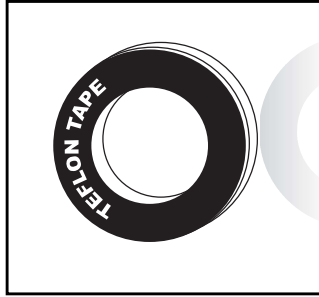
Contact our Spraying Division for warranty parts at 320-340-6464. **DO NOT RETURN PRODUCT TO YOUR DISTRIBUTOR/DEALER.** Please have original proof of purchase, model number of sprayer and part number of part from illustrated parts breakdown in this manual.



1/2" SOCKET WRENCH



PLIERS



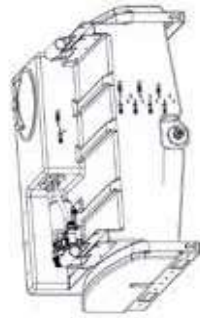
TEFLON TAPE

## INCLUDED HARDWARE

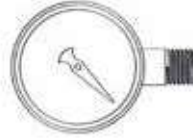
**NOTE: SOME PARTS MAY BE SHIPPED INSIDE THE TANK!**

## CLOSELY INSPECT ALL CONTENTS IN THE SHIPPING CARTON

- If you have damaged components: Contact the freight company that delivered the unit and file a claim.
- If you have missing components: Contact us at 320-340-6464.

SPRAYER  
COMPONENTS

Sprayer Tank (1)

Spray Gun Assembly (1)  
SG-2218-181/2" Hose Clamp (1)  
SHC-FPressure Gauge (1)  
1140GXB100Pressure Regulator  
Assembly (1)  
33-140118

**SPRAYER  
COMPONENTS**



Drain Cap Tether (1)  
33-103219



Drain Cap Gasket (1)  
33-103220



Drain Cap (1)  
33-103218



Wire Harness (1)  
33-103233



Tank Lid (1)  
G-8146002

**SPRAYER  
COMPONENTS**



Wand Bracket (1)  
31-100411



3/4" Bolts (2)  
33-200120



Boom Mount Bracket (2)  
31-100420



Boom Mount Arms (2)  
32-100119



Square U-Bolt Assembly (2)  
33-10025

**SPRAYER  
COMPONENTS**



Wing Nut (2)  
33-103068



3.5" Bolts (2)  
34-100004



Hex Nuts (2)  
33-100136

**1.**

**PARTS**

**TOOLS**

None

Press the Drain Cap Gasket into the Drain Cap until fully seated.  
Attach the Drain Tether to the top of the Drain Cap.



**2.**

**PARTS**

**TOOLS**

None

Locate Sprayer Tank drain outlet.  
Place other end of Tether over tank drain outlet.  
Thread Drain Cap over drain until hand tight.



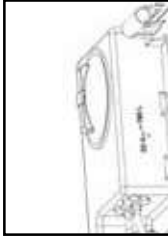
**3.**

**PARTS**

**TOOLS**

None

Thread Tank Lid onto Sprayer Tank.

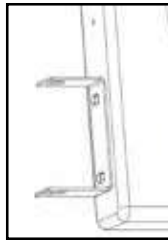


**4.**

**PARTS**

**TOOLS**

Place Wand Bracket on tank as shown (forked side out).  
Insert 3/4" Bolts into open holes and tighten with Socket Wrench.


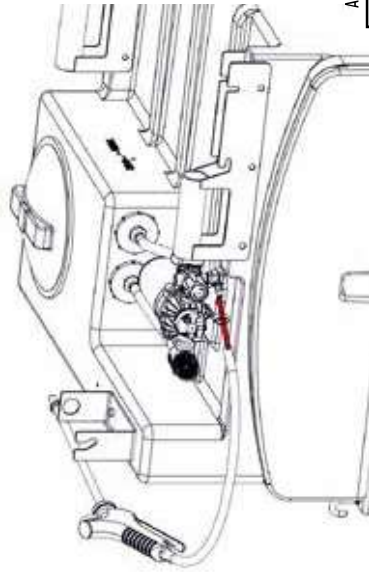


**5-**

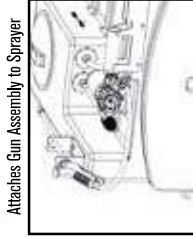
**PARTS**



**TOOLS**

Place Hose Clamp over the Spray Gun Hose, then push the hose onto the bottom hose barb of the Pressure Regulator Assembly.



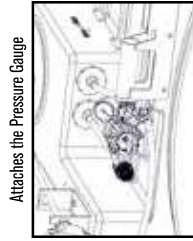
Tighten the 1/2" Hose Clamp with a pliers and place the Spray Gun in the Spray Gun Bracket.

**6.**

**TOOLS**



**PARTS**

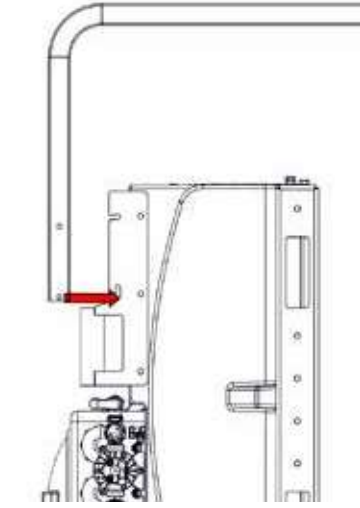
Wrap Teflon Tap around threads of Pressure Gauge.  
Twist Pressure Gauge into top port of the Pressure Regulator Assembly. Don't Over-tighten.

**7.**

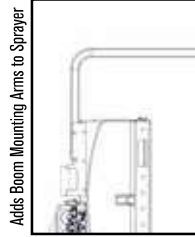
**PARTS**



**TOOLS**



None



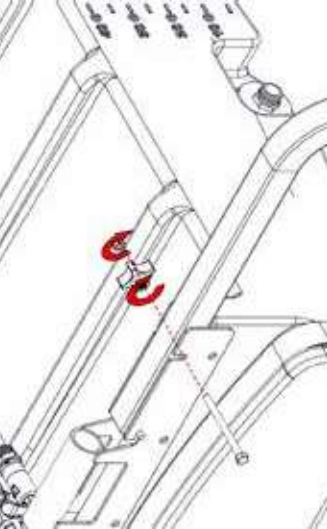
Insert pegs on Boom Mounting Arms into the slots in front of the Sprayer Tank Handles, and lower into place.

**8.**

**PARTS**



**TOOLS**



None



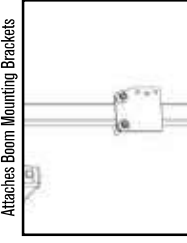
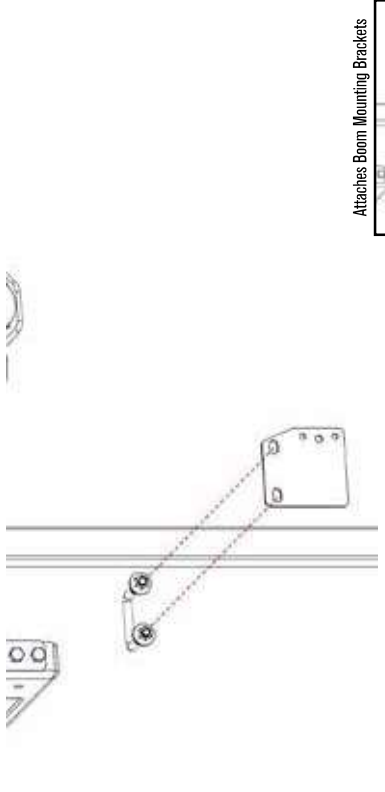
Insert Bolt through Boom Handle and Boom Mounting Arm as shown above.  
Screw Wing Nut onto Bolt, followed by the Hex Nut. Leave room between each, for later boom removal, as shown to the right.

9.

**TOOLS**



**PARTS**



Place the Boom Mounting Bracket in front of the Boom Mounting Arm with the angled side facing the inside top as shown above.

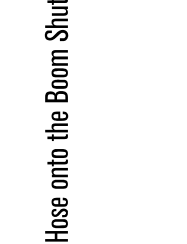
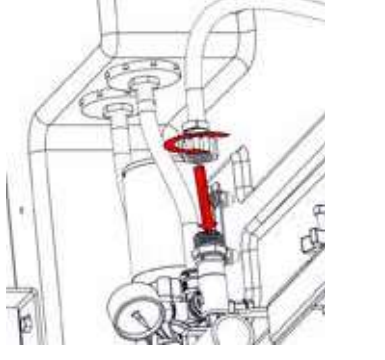
Insert the Square U-Bolt from behind the Boom Mounting Arm and attach with included nuts. Tighten with a Socket Wrench.

10.

**TOOLS**

None

**PARTS**



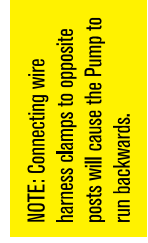
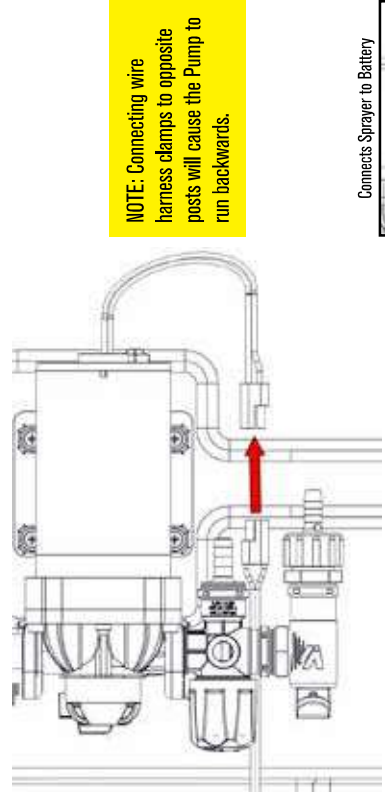
Screw the Boom Inlet Hose onto the Boom Shut-Off Valve.

11.

**TOOLS**

None

**PARTS**



Connect Wire Harness to Pump by pushing the two-pin terminal connectors together.

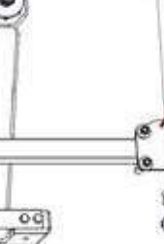
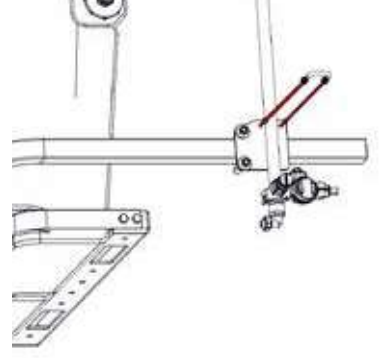
Connect the red clamp to your battery's positive post and the black clamp to the negative post.

12.

**TOOLS**

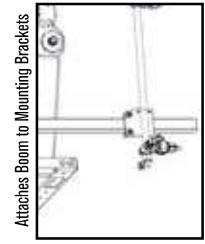


**PARTS**



Line up holes of Boom Assembly with holes of the Boom Mounting Brackets.

Install with Bolts and Flange Nuts from Boom Assembly. Tighten with a Socket Wrench



Now that you have assembled your sprayer, there is some important safety and health information you need to know with regard to handling and spraying chemicals.

TAKE NOTE! THIS SAFETY ALERT SYMBOL FOUND THROUGHOUT THIS SECTION IS USED TO CALL YOUR ATTENTION TO INSTRUCTIONS INVOLVING YOUR PERSONAL SAFETY AND THE SAFETY OF OTHERS. FAILURE TO FOLLOW THESE INSTRUCTIONS CAN RESULT IN PROPERTY DAMAGE, INJURY OR DEATH.



**IMPORTANT NOTE:  
THE USE OF CORROSIVE OR FLAMMABLE CHEMICALS  
IN THIS SPRAYER IS HAZARDOUS AND WILL ALSO  
VOID YOUR WARRANTY.**

## GENERAL CHEMICAL SAFETY



### WARNING

Pesticides are hazardous chemicals. Heed the warning below and follow all instructions carefully. Improper handling of chemicals can result in serious injury or illness, or cause damage to humans, animals or the general environment.

## BEFORE SPRAYING

- **Sprayer Prep:** ALWAYS inspect and prepare the sprayer before use according to the directions provided in this manual.
- **Keep Sprayer Off:** Do not turn power on to the sprayer until ready to spray in order to avoid unintentional spray release.
- **Broadcast Nozzle Down:** Make sure the broadcast nozzle is oriented to spray straight down before starting the sprayer.
- **Wind Speed:** NEVER spray when wind exceeds 4 MPH in order to minimize spray drift.
- **Clear Area:** ALWAYS keep work area clear of people and pets. Post warning notices to restrict access by the public for the period recommended on chemical label.
- **Operator Age:** To operate this sprayer, you must be 16 years of age or older. Pesticides are extremely toxic to children.
- **Chemical Label:** ALWAYS READ and FOLLOW all chemical label instructions.
- **State & Federal Laws:** ALWAYS refer to state and federal regulations with regard to the application of a particular chemical you plan to use.
- **Flammables:** NEVER use any flammable chemicals, such as diesel fuel, in the sprayer.
- **Corrosives:** DO NOT use corrosive chemicals, such as bleach, in the sprayer. They can weaken the sprayer and its parts, resulting in leaks. Always check with chemical manufacturer for compatibility with sprayer.
- **Emergency Procedures:** Before handling chemicals, carefully review the “Statement of Practical Treatment” on the chemical label.



## DURING SPRAYING

- **Over Application:** DO NOT over apply pesticide. Apply at a rate recommended by chemical manufacturer. Excess pesticide can be dangerous to humans, damage desirable plants, and contaminate soil and water sources.
- **Never Point Spray Gun:** NEVER point the spray gun at people or animals.
- **Children & Pets:** ALWAYS exercise extra caution when spraying near areas accessible to children and pets.
- **Eating & Smoking:** DO NOT eat, drink, smoke, rub your eyes or touch any part of your bare skin while handling chemicals and spraying.
- **Heat & Flames:** DO NOT spray near open flames or sources of heat.
- **Spills:** ALWAYS clean up spills immediately per instructions on the chemical label.
- **Unattended:** ALWAYS turn off vehicle and set brake or block wheels, turn off power to sprayer, and relieve system pressure before leaving spray unattended.

## AFTER SPRAYING

- **Clean Sprayer:** ALWAYS clean the sprayer immediately after use according to the directions provided in this manual.
- **Decontaminate:** ALWAYS decontaminate yourself immediately after you are finished with spraying and handling chemicals. Wash all exposed areas of the body with soap and water. Remove and launder clothing.
- **Chemical Disposal & Storage:** ALWAYS dispose or store remaining chemicals properly as recommended on the chemical label.
- **Health Monitoring:** Monitor the health of operators who are frequently exposed to pesticides, as recommended by the chemical label.



## WARNING

Chemical spills, sprayer leaks, personal contamination, and poisoning are accident situations which you may encounter. All require an immediate response. In the event these accidents take place, follow first aid instructions on the chemical label and contact poison control for further advice (1-800-222-1222). If victim collapses or isn't breath CALL 911.

## OPERATION - PREPARING & USING SPRAYER

If the sprayer has been used previously, it must be prepared BEFORE EACH SUBSEQUENT USE.



## WARNING

Read the following instructions carefully for inspecting and using the sprayer. Damaged or clogged equipment could result in leaks or uncontrolled spray. Leaks could result in injury to the operator or bystanders from chemical exposure, or cause damage to the environment.

## IMPORTANT NOTE:

**THIS SPRAYER IS NOT CERTIFIED FOR USE IN DISPENSING POTABLE WATER OR OTHER CONSUMABLE LIQUIDS.**

## PREPARING SPRAYER

- **Review Safety Information:** Review safety information in this manual and manufacturer chemical label before use.
- **Sprayer Attachment:** Ensure the sprayer is securely attached to the vehicle.
- **Empty Tank:** Ensure the sprayer has been thoroughly flushed and drained of all residual chemical prior to uses.
- **Clean Suction Strainer:** Clean suction strainer of any chemical residue with fresh water. USE RUBBER GLOVES for extra safety.
- **Inspect & Test:** Inspect the tank and components for any cracks or leaks. Replace any damaged parts. **IMPORTANT:** After any repair, ALWAYS test for leaks with water one final time before use.
- **Check Drain Cap:** Before filling tank, ensure drain cap at bottom of tank is securely tightened.

## USING SPRAYER

- **Protective Equipment:** ALWAYS wear protective equipment as directed on the chemical label.
- **Asses Wind & Area Conditions:** Before spraying, determine if wind conditions are suitable. DO NOT spray if wind speeds are greater than 4 MPH. DO NOT spray if bystanders are in the intended area and verify that area is in a well-ventilated outdoor area.
- **Power Off:** Before filling tank, make sure power to the sprayer and the vehicle is off and brakes our set to prevent unintended movement.
- **Filling Tank:** Remove sprayer tank lid and add chemical/water dilatation ratios that are called out by chemical label. Ensure chemical is thoroughly mixed with a stirring device and then securely thread tank lid back on sprayer tank.

## USING SPRAYER (CONTINUED)

- **Broadcast Boom Valve:** Close broadcast boom valve to prevent accidental spray release.
- **Turn On Power:** Connect the wire harness to vehicle battery and turn the remote switch to the “On” position.

## SPOT SPRAYING

- **Spot Spraying:** To spot spray, pull the gun trigger. Make sure nozzle of gun is pointed towards vegetation in need of spraying.
  - **Adjustable Nozzle:** Twist the spray nozzle to adjust from a straight stream to wide pattern mist.
- Note:** It is not unusual for the operator to be exposed to chemical drips while adjusting the nozzle – use chemical resistant gloves when twisting.

## BROADCAST SPRAYING

- **Open Boom Valve:** Open up boom valve to allow flow from tank to boom kit.
  - **Ensure Correct Pattern:** Make sure boom nozzle is pointed straight down. If not, loosen the nozzle retaining nut and adjust orientation of the boom nozzle opening to point straight down.
- Note:** It is not unusual for the operator to be exposed to chemical drips while adjusting the broadcast nozzle. Chemical resistant gloves should be worn.
- **Open Boom Valve:** Open up boom valve to allow flow from tank to boom kit.
  - **Uniform Coverage:** To ensure proper coverage, follow the separate boom kit manual that came with your sprayer.
  - **Broadcast Spraying:** Turn the remote switch to the “ON” position to being spraying.

## OPERATION - CLEANING, DECONTAMINATING & STORAGE

When done using the sprayer, it is always important to clean the sprayer and decontaminate yourself. Do not store the sprayer with chemicals in the tank, as it is unsafe and could also result in damage.



### WARNING

Clean-up and decontamination procedures must be followed after each use. Improper equipment clean-up and disposal of chemicals can result in dangerous chemical exposure to humans and the environment, as well as equipment damage. Personal decontamination is required after spraying to minimize unsafe exposure to chemicals and potential illness.

## SPRAYER STORAGE

Prepare the sprayer for end-of-season storage by running RV anti-freeze through the system. This will keep internal parts lubricated, protect against corrosion, and keep the unit from freezing.

**IMPORTANT NOTE:**  
**ALLOWING YOUR SPRAYER TO FREEZE, WITHOUT TAKING PROPER WINTERIZATION STEPS, VOIDS YOUR WARRANTY.**



### WARNING

The sprayer will be damaged if it freezes. Protect the sprayer from freezing during storage by following instructions below.

## CLEANING & DECONTAMINATING SPRAYER

- **Drain Tank:** If there is excess pesticide left in tank, drain into a suitable container.
- **Note:** when draining pesticides, be sure to wear protective gear such as rubber gloves and eye protection for increased safety.
- **Unused Chemical:** Properly store or dispose of unused chemical in its original, suitable container and make sure to follow chemical manufacturer's recommendation and according to local hazardous waste disposal regulations.
- **Flush Sprayer:** Flush sprayer per the chemical manufacturer's recommendations.
- **Decontaminate & Launder:** Decontaminate yourself after handling chemicals by removing clothing worn, washing exposed body parts with soap and water, and laundering clothing separately from other wash.

## PREPARING SPRAYER FOR STORAGE

- **Add Anti-Freeze:** Pour one gallon of RV anti-freeze into the sprayer tank.
- **Spray Briefly:** Turn on the pump motor and squeeze the gun trigger briefly until fluid sprays out.

## REMOVING SPRAYER FROM STORAGE

- **Drain Anti-Freeze:** Drain the anti-freeze that is left in the tank through the tank drain hole into a suitable container.
- **Flush with Water:** Fill tank with fresh water and have run through system. Operate spray gun and boom until the system is completely flushed. Be sure to set up containers to capture the flushing of the anti-freeze.
- **Disposal:** Dispose of anti-freeze and flush water properly.

## TROUBLESHOOTING

Here you will find troubleshooting steps for some of the most common issues users have with sprayers.



### WARNING

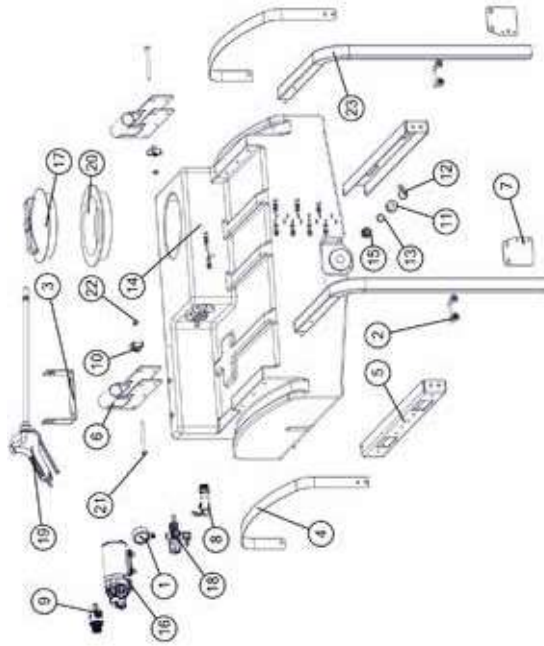
Before troubleshooting or attempting to service your pump or sprayer, read the following safety rules to avoid accidental exposure to chemicals and the possibility of electric shock.

## BEFORE ATTEMPTING TO SERVICE SPRAYER

- **Personal Protective Equipment:** Wear personal protective equipment as directed on the chemical label while servicing sprayer.
- **Review Troubleshooting Table:** Review the troubleshooting table to the right for the type of problem you are experiencing. **DO NOT** attempt to repair until reading remaining steps listed below are followed.
- **Empty & Flush Tank:** Empty the tank and flush the sprayer with water as directed in the section Cleaning, Decontaminating & Storage.
- **Disconnect Power/Relieve Pressure:** Disconnect power to the sprayer and be sure all system pressure is relieved by squeezing the gun trigger.
- **Perform Repairs:** Follow the directions provided in the troubleshooting table to repair the sprayer.
- **Note:** Never try to unclog the sprayer nozzle by blowing through it.
- **Test after Repairs:** After repairs, **ALWAYS** test the sprayer for leaks with fresh water before using.

| PROBLEM                        | CAUSE                          | SOLUTION   |  |
|--------------------------------|--------------------------------|--|--|
| Pump Will Not Turn On          | Bad Electrical Connection      | Check Battery Connections                                  |  |
|                                | Fuse Blown                     | Replace Fuse   |  |
|                                | Short In Wire                  | Check Condition of Wires                                   |  |
|                                | Low Voltage                    | Check Voltage  |  |
|                                | Locked Drive                   | Replace Diaphragm Assembly                                 |  |
|                                | Faulty Pressure Switch         | Replace Pressure Switch                                    |  |
|                                | Out of Product                 | Refill Supply Container                                    |  |
| Pump Will Not Prime            | Inlet Air Leak                 | Tighten Fittings or Replace Cracked Fittings               |  |
|                                | Inlet/Outlet Tube Obstruction  | Remove Obstruction   |  |
|                                | Clogged Intake Valve           | Remove Obstruction   |  |
|                                | Low Voltage                    | Check Voltage  |  |
|                                | Worn Spray Gun Nozzle          | Replace Spray Gun  |  |
|                                | Worn Boom Nozzle               | Replace Boom Nozzle  |  |
|                                | Worn Wobble Plate or Diaphragm | Replace Diaphragm Assembly                                 |  |
|                                | Worn Pressure Switch           | Replace Pressure Switch                                    |  |
|                                | Inlet Air Leak                 | Tighten Fittings or Replace Cracked Fittings               |  |
|                                | Inlet/Outlet Tube Obstruction  | Remove Obstruction   |  |
| Low Pressure or Flow           | Clogged Intake Valve           | Remove Obstruction   |  |
|                                | Low Voltage                    | Check Voltage  |  |
|                                | Loose Fasteners                | Tighten Fasteners  |  |
|                                | Pump Seals Degraded            | Replace Pump Head Assembly                                 |  |
|                                | Leak In Diaphragm              | Replace Diaphragm Assembly                                 |  |
|                                | Clogged Intake Tube            | Remove Obstruction   |  |
|                                | Clogged Suction Strainer       | Clean Suction Strainer                                     |  |
|                                | Worn Spray Gun Nozzle          | Replace Spray Gun  |  |
|                                | Leak in the System             | Tighten Leaking Hose Clamps, Fittings or Replace Spray Gun |  |
|                                | Faulty Pressure Switch         | Replace Pressure Switch                                    |  |
| Pump Leaks                     | Low Voltage                    | Check Voltage  |  |
|                                | Air Trapped In System          | Purge Air From System                                      |  |
|                                | Flexible Mounting Surface      | Mount Pump On Rigid Surface                                |  |
|                                | Loose Pump Head                | Tighten Fasteners  |  |
|                                | Compressed Base Feet           | Decompress Base Feet                                       |  |
|                                | Rigid Plumbing                 | Plumb Pump with Flexible Plumbing                          |  |
|                                | Poor Spray Distribution        | Leak in Diaphragm  | Replace Diaphragm Assembly                                 |
|                                |                                | Clogged Intake Tube  | Remove Obstruction   |
|                                |                                | Clogged Suction Strainer                                   | Clean Suction Strainer                                     |
|                                |                                | Worn Spray Gun Nozzle                                      | Replace Spray Gun  |
| Leak in the System             |                                | Tighten Leaking Hose Clamps, Fittings or Replace Spray Gun |  |
| Faulty Pressure Switch         |                                | Replace Pressure Switch                                    |  |
| Low Voltage                    |                                | Check Voltage  |  |
| Air Trapped In System          |                                | Purge Air From System                                      |  |
| Flexible Mounting Surface      |                                | Mount Pump On Rigid Surface                                |  |
| Loose Pump Head                |                                | Tighten Fasteners  |  |
| Pump Cycles While Not Spraying | Compressed Base Feet           | Decompress Base Feet                                       |  |
|                                | Rigid Plumbing                 | Plumb Pump with Flexible Plumbing                          |  |
|                                | Rough Operation                | Leak in Diaphragm  | Replace Diaphragm Assembly                                 |
|                                |                                | Clogged Intake Tube  | Remove Obstruction   |
|                                |                                | Clogged Suction Strainer                                   | Clean Suction Strainer                                     |
|                                |                                | Worn Spray Gun Nozzle                                      | Replace Spray Gun  |
|                                |                                | Leak in the System   | Tighten Leaking Hose Clamps, Fittings or Replace Spray Gun |
|                                |                                | Faulty Pressure Switch                                     | Replace Pressure Switch                                    |
|                                |                                | Low Voltage  | Check Voltage  |
|                                |                                | Air Trapped In System                                      | Purge Air From System                                      |
| Flexible Mounting Surface      |                                | Mount Pump On Rigid Surface                                |  |
| Loose Pump Head                |                                | Tighten Fasteners  |  |

## 50 GALLON UTV SPRAYER



| ID | Part Number | Description            | Qty |
|----|-------------|------------------------|-----|
| 1  | 1124DAB100  | Pressure Gauge         | 1   |
| 2  | 33-100025   | Square U-Bolt          | 2   |
| 3  | 31-100411   | Spray Gun Bracket      | 1   |
| 4  | 31-100412   | Tank Strap             | 2   |
| 5  | 31-100413   | Frame Rail             | 2   |
| 6  | 32-100118   | Boom Handle            | 2   |
| 7  | 31-100420   | Boom Mounting Brackets | 2   |
| 8  | 34-140161   | Boom Shut-Off Valve    | 1   |
| 9  | 34-140164   | QA Inline Strainer     | 1   |
| 10 | 33-103068   | Wing Nut               | 2   |
| 11 | 33-103218   | Drain Cap              | 1   |
| 12 | 33-103219   | Drain Cap Tether       | 1   |

| ID | Part Number      | Description                       | Qty |
|----|------------------|-----------------------------------|-----|
| 13 | 33-103220        | Drain Cap Gasket                  | 1   |
| 14 | 33-103910        | 50 Gallon Tank                    | 1   |
| 15 | 3E34             | 3/4" MIGHT x 1/2" MPT Adapter     | 1   |
| 16 | EF3000-QA        | 3.0GPM Everflo Pump               | 1   |
| 17 | G-8146002        | Tank Lid - 8"                     | 1   |
| 18 | 34-140158        | Pressure Regulator Assembly       | 1   |
| 19 | SG-2218-38-RUB15 | Deluxe Spray Gun Assembly         | 1   |
| 20 | G-8148000        | Lid Ring - 9"                     | 1   |
| 21 | 33-100004        | Carriage Bolt - 5/16"-18 x 3 1/2" | 2   |
| 22 | 33-100120        | Lock Nut - 5/16"-18               | 2   |
| 23 | 32-100119        | Over-Gate Boom Mounting Arm       | 2   |





**PLEASE FOLLOW ALL WARNINGS IN THIS MANUAL, FAILURE TO DO SO COULD RESULT IN PROPERTY DAMAGE & INJURY.**



**320.340.6464**

**12VUTV-M**