

Operator's Manual - English version
BACKPACK SPRAYER JACTO CD

Code: 1202909
Edition 04/2016

Manual del Operador - Español (18)



MÁQUINAS AGRÍCOLAS JACTO S.A.
Rua Dr. Luiz Miranda, 1650
17580-000 - Pompeia - SP - Brasil
Phone: +55 (14) 3405-2100
Fax: +55 (14) 3452-1012
Email: jacto@jacto.com.br
Home page: www.jacto.com.br

Customer assistance: JACTO INC.
19217 SW 119 th Ave.
Tualatin, Oregon 97062
Phone: (503) 885-8723
Fax: (800) 511-3671
Toll free: (800) 522-8610
E-mail: info@jacto.com
Home page: www.jacto.com

SUMMARY

1. Introduction	3
2. Specifications	3
3. Preparing the Product For Use	3
3.1. Unpacking	3
3.2. Installing the shaft	4
3.3. Installing the lever on the shaft and the rod on the chamber top	4
3.4. Attaching the lance to the trigger valve (starting and stopping)	4
3.5. Adjusting the strap	4
3.6. Tightening	4
3.7. Loosening	5
3.8. Inverting the lever operating side	5
3.9. Storage	5
4. Operation of Product	5
4.1. Recommendations for use	5
4.1a. Best spraying practices	5
4.1b. Application	6
4.2. Calibration of manual backpack sprayer	6
4.3. Choosing nozzle type	7
4.4. Influence of climatic conditions	8
4.5. Optional accessories for manual backpack sprayers	9
4.6. Parts list	10
4.6a. CD	11
4.7. Disposal of waste products	12
5. Information Needed by User	12
5.1. Troubleshooting	12
5.2. Maintenance of the product	13
5.3. Cleaning the sprayer	13
5.4. Drainage	13
5.5. The consequences of improper service	13
5.5a. In case of clogged nozzle	13
5.6. Cylinder valve maintenance	13
5.7. Triple rinse of empty agrochemicals containers	14
6. Critical Safety and Health Information	15
7. Statement of Limited Warranty	17

1. Introduction

This manual contains information for the proper assembly, operation and care of your sprayer. Carefully read and follow the instructions contained in this manual before using your sprayer.

This equipment was designed for spraying plants protection products approved by regulatory authorities to be used in back-pack sprayers.

2. Specifications

Model	400/500
Net weight	9.2 lbs / 10.6 lbs
Spray lance length	19.5 in
Hose length	53 in
Chemical tank	
Capacity	4.2 / 5.5 gallons
Filling opening diameter	4.5 in
Material	Polyethylene
Pump	
Type	Piston
Maximum pressure	85 psi
Nozzle installed	Blue adjustable cone
Material	Brass

SAFETY GUIDELINES – DEFINITIONS

It is important for you to read and understand this manual. The information it contains relates to protecting YOUR SAFETY and PREVENTING PROBLEMS. The symbols below are used to help you recognize this information.

DANGER!

Indicates an imminently hazardous situation which, if not avoided, will result in death or serious injury.

WARNING!

Indicates a potentially hazardous situation which, if not avoided, could result in death or serious injury.

CAUTION!

Indicates a potentially hazardous situation which, if not avoided, may result in minor or moderate injury.

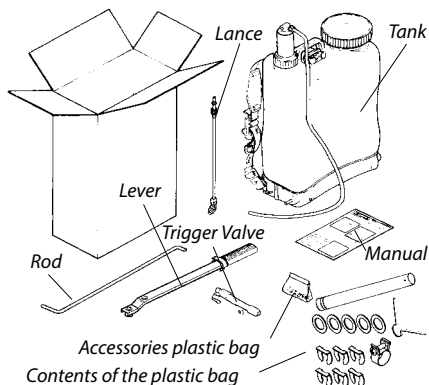
Notice: Used without the safety alert symbol indicates a potentially hazardous situation which, if not avoided, may result in property damage.

SAVE THESE INSTRUCTIONS: This manual contains important safety instructions for the proper use and maintenance of this product.

3. Preparing the Product For Use

3.1. Unpacking

Remove from the sprayer carton the following parts:



NOTE: Minimum space needed for use, maintenance and repair is 15 sq. ft.

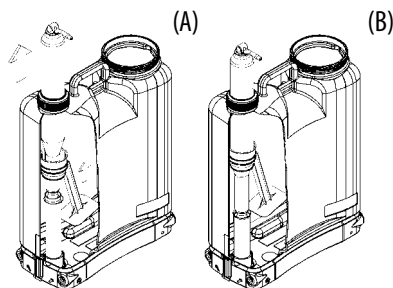


CAUTION!

Be careful when taking out the sprayer out of the carton because the lever is loose and can cause damage or personal injury. Note that the agitator is loose inside the tank and must be properly assembled.

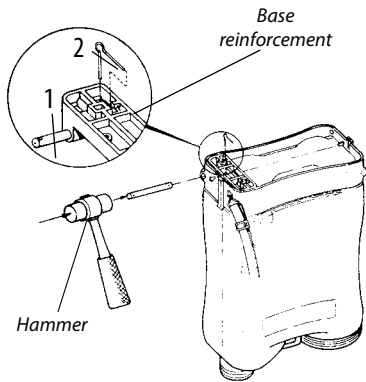
NOTE: Carton can be discarded in the recycling.

- Open the tank lid to find the agitator;
- With one hand pull up the chamber, but without removing it from the tank, up to the level it will be possible to fit the agitator in its body (Image A). With the other hand, install the agitator tightly to the chamber body.
- Lower the chamber with the agitator assembled until it fits in the cylinder (image B).



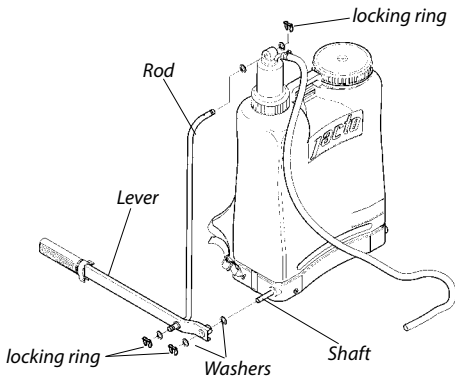
3.2. Installing the shaft

- Install the shaft (1) into the free hole on the sprayer base (chamber side).
- Use a plastic hammer to tap the shaft smoothly until the hole on the shaft end matches the hole on the base reinforcement.
- Lock the shaft with the cotter pin (2).



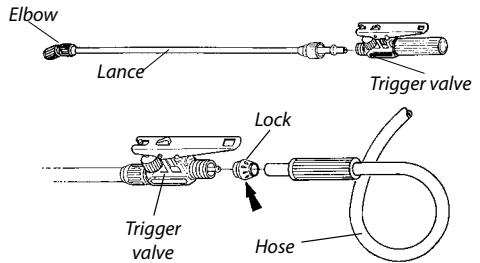
3.3. Installing the lever on the shaft and the rod on the chamber top

- Lightly grease the lever orifice and install it on the rod. Install a flat washer before the locked ring.
- Lightly grease the orifice on the chamber top.
- Install a flat washer on the shaft and rod.
- For ease of assembly, install the lever on the shaft and the rod on the chamber top at the same time.
- Install the other flat washers on the shaft and rod and lock with the locking ring.



3.4. Attaching the lance to the trigger valve (starting and stopping)

- Push the lance into the trigger valve and secure it with the screw cap.
- Unscrew the trigger valve nut.
- Push the hose through the nut and connect to the trigger valve body.

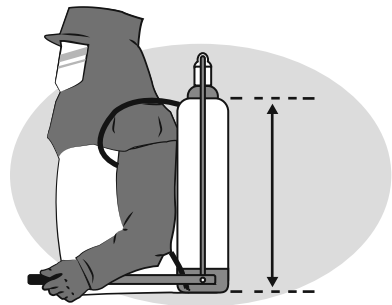


WARNING!

Do not overtighten the screw cap.

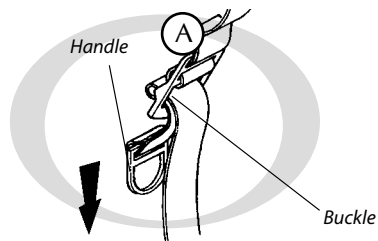
3.5. Adjusting the strap

- The tank is contoured for the operator comfort. The shoulder straps can be quickly adjusted to properly position the sprayer on the operator's back.



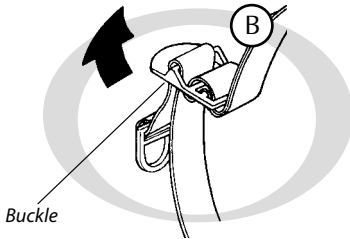
3.6. Tightening

- Hold the strap buckle firmly with one hand, and pull the handle downward with the other hand.



3.7. Loosening

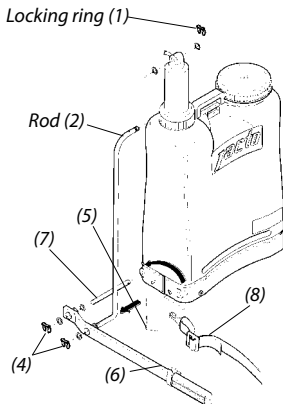
- Hold the buckle firmly with one hand, and pull the strap upward with the other hand.



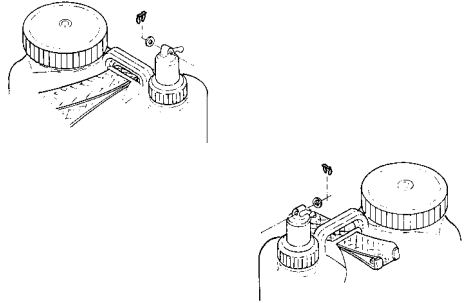
3.8. Inverting the lever operating side

This sprayer is shipped assembled for installing the pumping lever for left hand operation. In case you wish to invert to right hand operation, proceed as follows:

- Remove the locking ring (1), washers and rod (2) from the compensation chamber.
- Next, rotate the compensation chamber a 180° turn.
- Reinstall the rod (2) on the chamber and secure it with the cotter pin again.
- Remove locking rings (4), cotter pin (5) and washers.
- Remove the pumping lever (6).
- Remove the shaft (7) and detach the shoulder straps (8) from both sides.
- Invert the positions as shown in the figure below (To install the shaft, follows instructions of the item 05). Install the washers and pumping lever on the rod so as to be operated with the right hand.



- Invert the shoulder straps position as shown below.



3.9. Storage

The sprayer should be stored in secure and ventilated place. Do not store equipment with mixture in the tank. The chemicals can cause different reactions and damage components of the equipment and the health of the operator.



CAUTION!

TRANSPORTATION: The sprayers can not be carried along with food, beverages, pharmaceuticals, feed, animals and people without adequate equipment (PPE).

4. Operation of Product

4.1. Recommendations for use

This equipment must be used only with products to protect plants approved for backpack sprayers. After assembling the sprayer, fill the tank with water and check for any leaks. Any leak must be repaired before using the sprayer.

Do not use acids or flammable liquids. After use of herbicides clean the equipment before using other formulations.

4.1.a. Best spraying practices



Correct volume of water



Correct proportion of product



Correct nozzle



Constant pressure



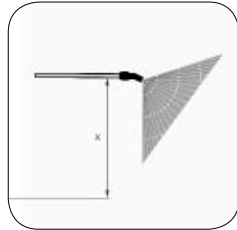
Spray downwind and avoid drift



Keep constant height

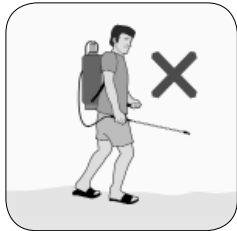


Constant walking speed



Uniform spray height

4.1b. Application



Wear appropriate protective clothing



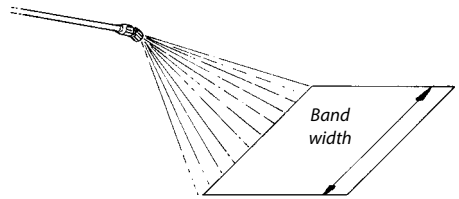
Do not contaminate water



4.2. Calibration of manual backpack sprayer

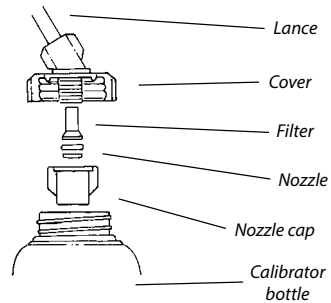
Using calibrator bottle (optional).

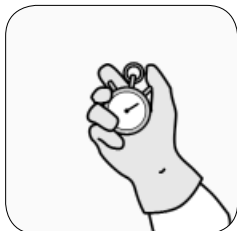
- Hold the lance at the working height and spray to measure the application band width.
- Based on the band width, calculate the total walking distance required to spray the desired area. Use the chart below.



Band width (ft)	1.6	2.2	3.2	3.9	4.9
Distance to walk (ft)	164	117.1	82	68.2	54.7

Attach the calibrator bottle to the lance as shown:





Record the time it takes to walk 25 m²



Simulate the spraying of 25 m²

1. Remove the cap, nozzle and filter.
 2. Mount the calibrator cover to the lance.
 3. Reinstall the filter, nozzle and cap.
 4. Screw the calibrator onto the cover.
- Hold the lance at the normal working height and spray into the bottle while walking the distance required to spray an area corresponding to 269.1 sq. ft.
 - Place the bottle on a level surface and observe the liquid level visible through the side of the bottle. Match the liquid level to the corresponding scale on the calibrator bottle.
 - Empty the bottle and repeat this operation to determine the average of two or more readings.



WARNING!

Wear a protective clothes to do the maintenance and parts replacement.

4.3. Choosing nozzle type

Seven main nozzle designs are used on backpack sprayers. Each nozzle design is available in a range of sizes to optimize the use of product to be applied. The nozzle choice will be based on the agrochemical type to be used and the droplet size recommended (table):

NOTE: This sprayer is packaged with Blue Adjustable Cone nozzle fitted in the lance. Other nozzles mentioned in this manual are optional, so they do not accompany this sprayer.

NOZZLE TYPE	FILTER (Mesh)	IDENTIFICATION (Part no. - Description)	APPLICATION	PRESSURE (psi)	FLOW RATE (gallons/min)
	80 (Zinc yellow)	(1197535) JEF 110015 GREEN	Herbicides	30	0.13
	50(Gentian blue)	(1197536) JEF 11002 YELLOW		30	0.17
	50(Gentian blue)	(1197537) JEF11003 BLUE		30	0.26
	80 (Zinc yellow)	(1197475) JSF 110015 GREEN	Herbicides	30	0.13
	50(Gentian blue)	(1197476) JSF 11002 YELLOW		30	0.17
	50(Gentian blue)	(1197477) JSF11003 BLUE		30	0.15
	50(Gentian blue)	(1197565) JHC 8002 YELLOW	Fungicide, insecticide and foliar fertilizers	45	0.21
	50(Gentian blue)	(1198892) JHC 8004 RED		45	0.42
	50(Gentian blue)	(1198893) JHC 8005 BROWN		45	0.53
	50(Gentian blue)	(1197486) JDF 04 RED	Herbicides and foliar fertilizers	15	0.24
	50(Gentian blue)	(1197487) JDF 05 BROWN		15	0.30
	50(Gentian blue)	(1197488) JDF 06 GREY		15	0.37
	80 (Zinc yellow)	(1197497) JAI 120015 GREEN	Herbicides	20	0.11
	80 (Zinc yellow)	(1197499) JAI 12002 YELLOW		20	0.15
	50(Gentian blue)	(1197501) JAI 12003 BLUE		20	0.22

Nozzle			Herbi- cide	Fungi- cide	Insec- ticide
Code	Name	Picture			
1197571	JHC		▲	●	●
217174	JD-12		▲	●	●
1197537	JEF		●	■	■
1197477	JSF		●	■	■
325787	JADJ		▲	■	■
1197486	JDF		●	▲	▲
1197486	JAI		●	■	■

● Recommended ■ Acceptable ▲ Not recommended

Prevent the flow rate to be higher than 10% of the nozzle nominal flow rate.

It is recommended to use the pressure and flow rate regulating valve (ECOVALVE) in order to achieve a more accurate spraying method.

4.4. Influence of climatic conditions

During application, some factors may determine the interruption of the spraying. Wind, for example, can drag drops to a greater or lesser distance in terms of its size or weight. The temperature and especially the relative humidity contribute to the rapid evaporation of the droplets.

The ideal conditions for spraying are:

- Relative humidity: minimum 50%;
- Wind speed: 2-6 mph;
- Temperature below 86 F.

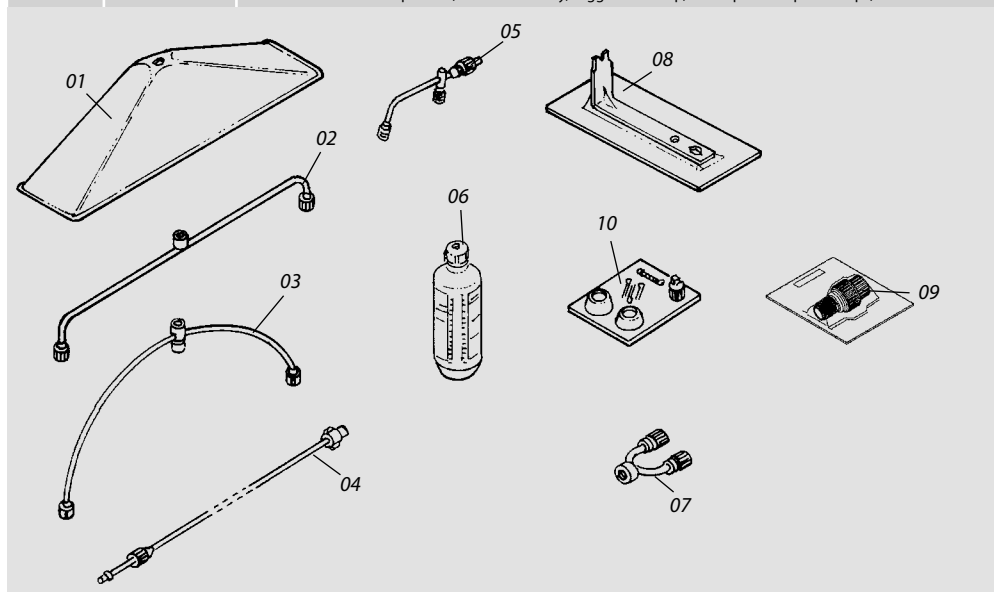
These limits should be considered according to technology application that will be used, adopting the safest class drops within the boundaries of each situation.

Air velocity around the nozzle height	Description	Visible signs	Spraying
Up to 0.6 mph	Calm	Smoke rises vertically	Recommended only with thick, very thick drops
0.6 to 1.86 mph	Nearly calm	The smoke is tilted	
1.86 to 4.3 mph	Light breeze	Slight movement of leaves. Feel the light wind	Ideal for spraying
4.3 to 6.2 mph	Light wind	Leaves and thin branches in constant motion	We recommend only the drift reduction technique
6.2 to 9.3 mph	Moderate wind	Movement branches. Dust and pieces of paper are carried by the wind	Improper for spraying

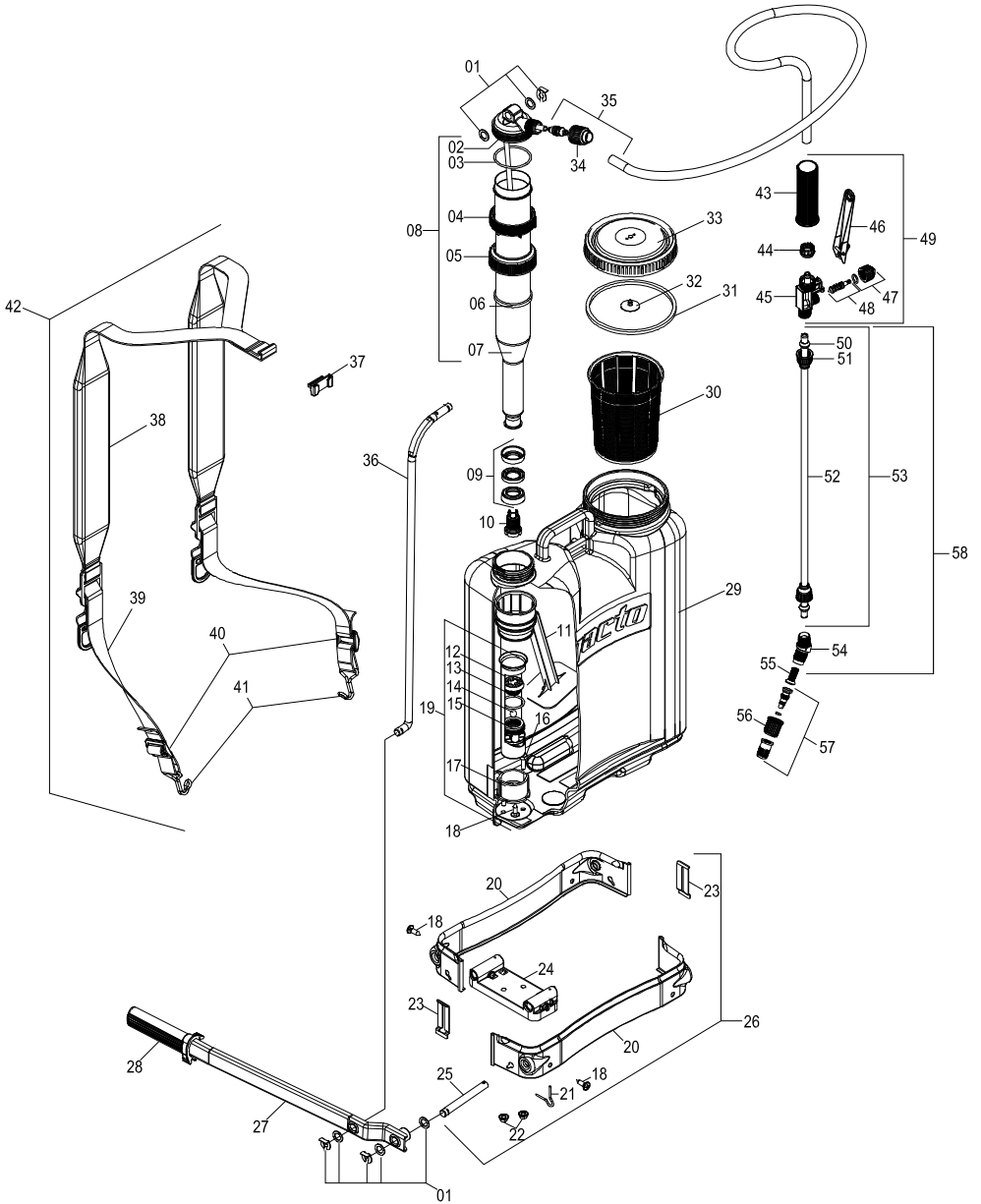
Factors	Classes of drops according to weather conditions		
	Very thin or thin	Thin or medium	Medium or thick
Temperature	below 77 F	77 to 82 F	above 77 F
Relative humidity	above 70%	60 to 70%	below 60%

4.5. Optional accessories for manual knapsack sprayers

ITEM	PART NO.	USE
01	761882	Spray guard: prevents nonselective herbicides from drifting.
02	902296	Boom 500: improves the coverage and increases the productivity.
03	907873	Pliable boom: holds the required shape for better coverage.
04	728139	Extension 600: increases the application reach.
05	100016	Extension 160 - 2 nozzles: increases the coverage and penetration.
06	834309	Flow calibrator bottle: is used to calibrate the sprayer.
07	336115	Nozzle Y: improves the coverage.
08	452284	Wrench for general maintenance.
09	1197164	Ecovalve green 22 psi (0.8 bar)
	1197159	Ecovalve yellow 22 psi (1.3 bar)
	1197163	Ecovalve blue 30 psi (1.8 bar)
	1197162	Ecovalve red 45 psi (2.8 bar)
10	831016	PJH repair kit (needle assembly, trigger valve cap, cotter pins and piston cups).



4.6. Parts list



4.6a. CD

Nº	Code	Description	Qty.
1	1198800	WASHERS AND LOCKED RINGS SET	1
2	942680	CHAMBER COVER	1
3	573154	O-RING OR1-136	1
4	40964	CHAMBER NUT	1
5	831222	PACKING RING NUT	1
6	831230	PACKING RING	1
7	942722	CHAMBER BODY	1
8	878199	CHAMBER ASSEMBLY	1
9	99861	PISTON CUPS AND SPACER SET	1
10	1192736	CHAMBER VALVE	1
11	300582	AGITATOR	1
12	570788	LOCK BALL	1
13	11668	ORING OR1-122	1
14	715474	BALL	1
15	433359	VALVE SEAT	1
16	351486	SCREW M6 X 20 X 1,0	2
17	433367	CYLINDER BASE	1
18	211227	SCREW NO. 14" X 3/4	4
19	433334	CYLINDER ASSEMBLY	1
20	942888	HALF BASE	2
21	433888	SHAFT LOCK	1
22	743914	FLANGED NUT	1
23	942896	BASE CLAMP	1
24	433870	BASE REINFORCEMENT	1
25	433896	PUMP LEVER SHAFT	1
26	635821	COMPLETE BASE	1
27	615005	PUMP LEVER	1
28	495812	HANDGRIP	1
29	878041	CD400 TANK WITH LID	1
30	942920	STRAINER	1
31	837922	TANK LID SEAL	1
32	560573	LID DIAPHRAGM	1
33	1215303	LID WITH DIAPHRAGM AND SEAL	1
34	942193	SCREW CAP S-20 X 1.5	1
35	48116	HOSE WITH DIP TUBE	1
36	1197400	ROD WITH LOCK RING	1
37	214817	SHOULDER STRAP LOCK	1
38	573014	PADDED STRAP & BUCKLE	2
39	229971	STRAP WITH HANDLE	2
40	502757	BUCKLE	2
41	433474	SHOULDER STRAP HOOK	2
42	573006	SHOULDER STRAPS ASSEMBLY	1

Nº	Code	Description	Qty.
43	909192	TRIGGER VALVE HANDLE	1
44	920470	LOCK	1
45	909283	TRIGGER VALVE BODY	1
46	105247	TRIGGER VALVE LEVER	1
47	996058	TRIGGER VALVE CAP	1
48	105239	TRIGGER VALVE NEEDLE ASSEMBLY	1
49	908889	TRIGGER VALVE	1
50	909309	CONE PACKING	2
51	915744	SCREW CAP	2
52	1149491	TUBE (STAINLESS STEEL)	1
53	100131	EXTENSION 601	1
54	560649	ELBOW	1
55	592139	NOZZLE FILTER	1
56	229724	NOZZLE CAP	1
57	325787	BLUE ADJUSTABLE CONE NOZZLE	1
58	100131	LANCE w/ ELBOW	1

4.7. Disposal of waste products

The elimination of waste resulting from the dismantling of equipment during service, maintenance or end of life (disposal) should be carried out respecting the environment, preventing pollution of air, soil and water. If necessary, the waste should be stored in appropriate locations and then transported by qualified and trained people and companies.

Disposal of used sprayer should be done at appropriate areas and approved for receiving such material. If there isn't an appropriate nearby site, please contact the Customer assistance: JACTO INC. 19217 SW 119th Ave - Tualatin, Oregon 97062. Phone: (503) 885-8723, Fax: (800) 511-3671, Toll free: (800) 522-8610 - E-mail: info@jacto.com - Home page: www.jacto.com.

5. Information Needed by User

5.1. Troubleshooting

- Put about 1/2 gallon of water in the tank.
- While operating the lever, look into the tank to see what problem arises.
- Refer to the table and diagram below.

DESCRIPTION	CAUSES	CORRECTIONS
Leakage through the cylinder upper part.	Worn or dried out piston cup.	Replace or lubricate the pump.
After pumping and pressurizing the chamber, as you operate the lever it drops fast.	Cylinder valve not sealing properly due to wear or impurities.	Clean or replace the valve.
After pumping and pressurizing the chamber, the lever rises quickly when released.	Chamber valve not sealing properly due to wear or impurities.	Clean or replace the valve.

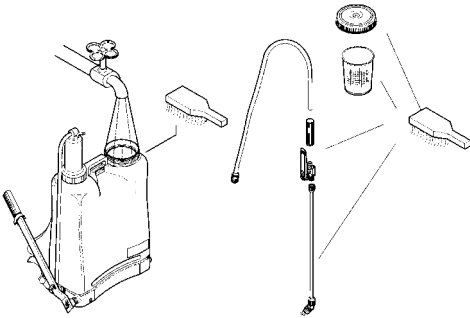
5.2. Maintenance of the product

Every 40 hours, clean the chamber and lubricate all the components. Use a pliers to disassemble the parts and use a brush with nylon bristles and mild detergent to clean.. Always use personal protective equipment (PPE).

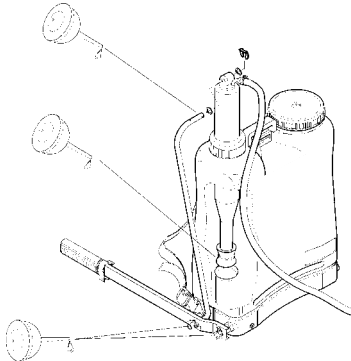
5.3. Cleaning the sprayer

After finishing the spray application, clean and wash all equipment in an approved decontamination area.

Operate the lever for the internal cleaning chemical circuit.



Lubricate the parts according to the image below



Remove the chamber and lubricate the piston.

5.4. Drain the tank

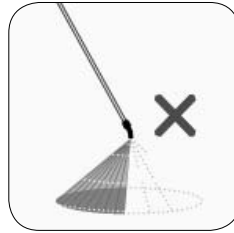
You must drain the tank when you are finished using the sprayer.

5.5. The consequences of improper service

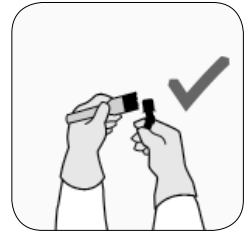
Do not change the sprayer components. Always check for leaks or malfunction. Follow the maintenance instructions and use original parts provided by Jacto.

Failure to follow the instructions may cause damage to the operator's health and the environment.

5.5a. In case of clogged nozzle



Clean nozzles and filters



Clean nozzles with brush

Do not use metal instruments. Use a brush with nylon bristles and a mild detergent to clean.

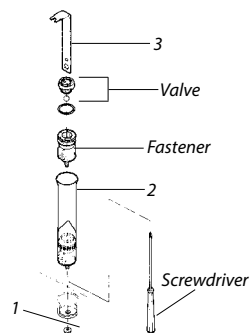
5.6. Cylinder valve maintenance

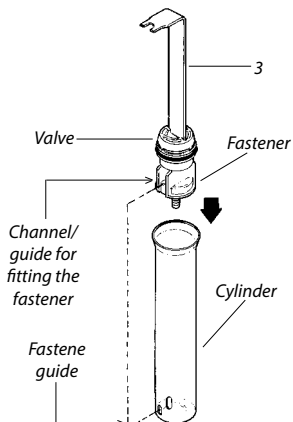
DISASSEMBLING

- Remove the chamber of the cylinder.
- Loosen the cylinder nut (1).
- Remove the cylinder (2).
- Use a screwdriver (*) to push the fastener out of the cylinder. Do not use sharp or pointed objects, which can damage the fastener.
- With the maintenance tool (*) (3), release the valve by turning counterclockwise.
- Clean or replace the valve.

ASSEMBLING

- install the valve on the fastener.
- Install the fastener onto the cylinder. For proper fitting you must observe the channel/guide.
- Install the cylinder in the tank and tighten the fastening nut (1).
- Install the chamber on the cylinder.



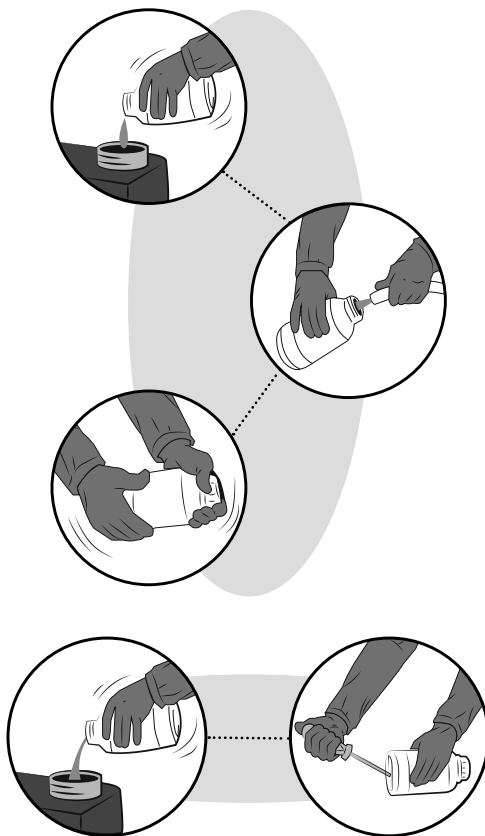


* Items not supplied with the product.

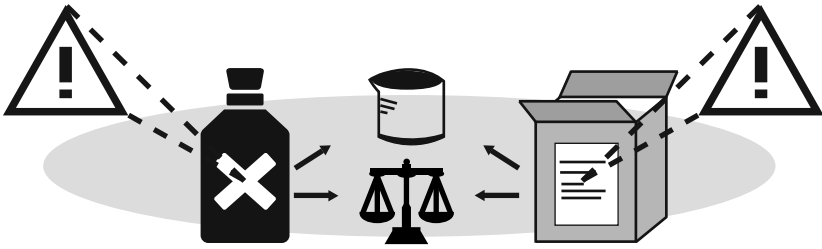
5.7. Triple rinse of empty agrochemicals containers

NOTICE: Even the containers considered empty contain chemical residues. Therefore, discarding the containers without washing out the residues is extremely dangerous to man, animals and environment. In the case of metal, plastic and glass chemical containers, each container must be rinsed three times to ensure the residues are completely removed. This manual describes how to make the triple rinse in a correct, safe and effective way.

1. Immediately after emptying the container, you must keep it with the opening upside down over the sprayer tank opening or over the bucket that you are using to prepare the chemical mixture for at least 30 seconds, until no residue is left in the container, when the drops are falling in long intervals.
2. Hold the container in the upright position and fill it with water up to 1/4 full. For example: In a 4 gallon container put 1 gallon of water.
3. Install the container cap and tight it enough to avoid leakage during the agitation.
4. Agitate the container strongly in all ways (horizontal and vertical), for approximately 30 seconds to remove the residues that are on the container internal walls.
5. Take the container cap off and carefully pour the rinse water into the spray tank.
6. Keep holding the container over the spray tank opening for approximately 30 seconds to the last drop.
7. Repeat this operation twice more. This way, you complete the triple rinse.
8. Make the plastic and metallic containers useless by piercing the container bottom with a pointed instrument. This way, their labels are not damaged for identification purposes.



6. Critical Safety and Health Information



WARNING!

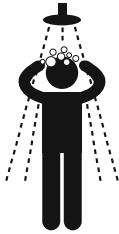
Read carefully the chemicals manufacturer's labels.



WARNING!

Wash hands and other parts of the body that have touched chemicals before starting to spray.

- After finishing the spray application, take a shower with plenty of water and soap.
- Put on clean clothes.



NOTE: The clothing used during the application must be washed separate from other clothes of ordinary use.



CAUTION!

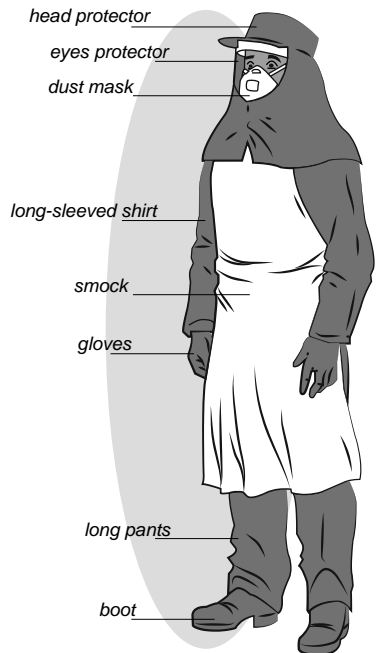
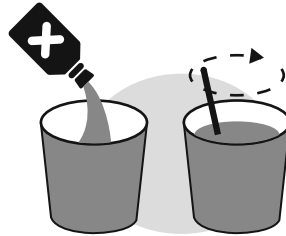
Do not use the sprayer when tired, ill or under the influence of alcohol or other drugs or medication.



WARNING!

Use of individual protective clothing and safety equipment is required.

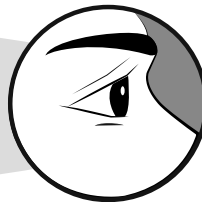
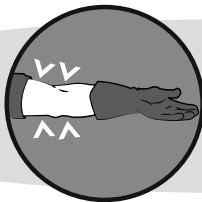
- Put 1 gallon of water in a bucket and add the chemical product.
- Stir until it becomes an homogeneous mixture.
- Pour the solution into the tank while filling with water.





DANGER!

Do not eat, drink or smoke while spraying. Serious risk of poisoning.



CAUTION!

Keep the products out of reach of children and animals.



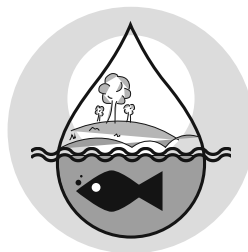
WARNING!

Do not pollute the environment. Principles to preserve the environment, to recycle and dispose of any equipment, its parts and components correctly must be respected, taking in consideration the legislation in effect (municipal, state and federal) as well as the manufacturer instructions about the parts, components or any other equipment item that is disposed of.



WARNING!

In case of poisoning, immediately seek medical attention and show the label of the product used.



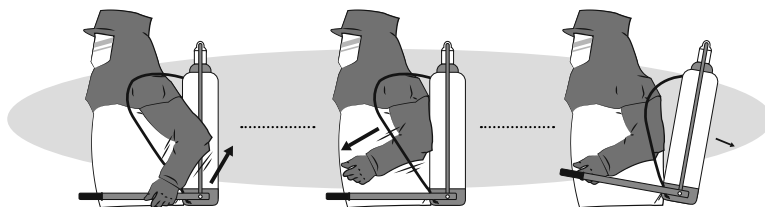
WARNING!

Do not modify the sprayer as this, can cause risk to operator safety and void of its warranty.



WARNING!

In case of accidents remove the sprayer immediately as the illustration below.





WARNING!

Lock up the chemical products to prevent untrained persons to handle them.



- The warranty on replaced parts and components shall expire together with the equipment warranty period.
- Eventual delays in performing services shall not give the owner right either to indemnity or to extension of the warranty period.
- JACTO reserves the right to modify its products or to interrupt the manufacture without prior notice.

6. Statement Of Limited Warranty

MÁQUINAS AGRÍCOLAS JACTO S.A. shall warrant the equipment described in this manual and shall repair or replace parts and components which, under normal operation and wear, in accordance with technical recommendations, show DEFECTS IN MATERIAL OR WORKMANSHIP, based on the following conditions.

WARRANTY PERIOD

- 03 (three) years from the date of sale to the original purchaser.

WARRANTY APPLICATION

- JACTO shall honour this warranty, free of charge, if any part or component shows defect in MATERIAL OR WORKMANSHIP, after final analysis at the factory.

THIS WARRANTY SHALL BE NULL & VOID IN CASE OF:

- Misuse of the equipment against specifications in the OPERATOR'S MANUAL, overwork or accidents.
- Preventive/remedial maintenance performed by unauthorized people.
- Use of parts and components not supplied by JACTO.
- Modification of the equipment or any characteristic of the original design.

THIS WARRANTY SHALL EXCLUDE:

- Parts which show wear and tear due to use, UNLESS THEY SHOW DEFECTS IN WORKMANSHIP, ASSEMBLY OR MATERIAL.
- Damages resulting from accidents.
- Transportation or freight of the equipment, parts and components in case such warranty is not approved.
- Transportation and mobilization of technicians.

GENERAL INFORMATION:

- Parts replaced within the warranty period shall be property of JACTO.

Manual del Operador - Español

PULVERIZADOR COSTAL JACTO CD

RG: 1202909
Edición 04/2016



Fabricado por MÁQUINAS AGRÍCOLAS JACTO S.A.
Rua Dr. Luiz Miranda, 1650
17580-000 - Pompeia - SP - Brasil
Teléfono: +55 (14) 3405-2100
Fax: +55 (14) 3452-1012
Email: jacto@jacto.com.br
Home page: www.jacto.com.br

Atención al cliente: JACTO INC.
19217 SW 119 th Ave.
Tualatin, Oregon 97062
Teléfono: (503) 885-8723.
Fax: (800) 511-3671
E-mail: info@jacto.com
Home page: www.jacto.com

TABLA DE CONTENIDO

1. Introducción	20
2. Especificaciones Técnicas	20
3. Preparo del Equipo para Utilización	20
3.1. Desembalar	20
3.2. Montaje del eje	21
3.3. Montaje de la palanca	21
3.4. Fijación de la manguera en el registro (inicio y detención)	21
3.5. Ajuste de la cinta	21
3.6. Apretar la cinta	22
3.7. Aflojar la cinta	22
3.8. Alteración en la posición de la palanca	22
3.9. Almacenamiento	22
4. El funcionamiento del producto	23
4.1. Recomendaciones para la utilización	23
4.1a. Mejores prácticas de pulverización	23
4.1b. Aplicación	23
4.2. Calibración del pulverizador	24
4.3. Seleccione la boquilla correcta	24
4.4. Influencia de condiciones climáticas	26
4.5. Accesorios opcionales para pulverizadores	27
4.6. Catálogo de piezas	28
4.6a. CD	29
4.7. Eliminación de los desechos de los productos	30
5. Información Necesaria por Parte del Usuario	30
5.1. Procedimiento para identificación de deficiencia de presión	30
5.2. Mantenimiento	31
5.3. Limpieza del pulverizador	31
5.4. Drenaje	31
5.5. Las consecuencias de una utilización inadecuada	31
5.5a. Em caso que la boquilla se obstrua	31
5.6. Mantenimiento de la válvula del cilindro	31
5.7. Triple lavado de envases vacíos de defensivos	32
6. Recomendaciones de seguridad	33
7. Instrucciones de Seguridad Importantes para Devolución	35

1. Introducción

Este manual contiene información para el correcto montaje, operación y cuidado de su pulverizador. Léalo con atención y siga rigurosamente las instrucciones en este manual antes de usar el pulverizador.

Este equipo está diseñado para pulverizar productos fitosanitarios aprobados por las autoridades de reglamentación para el uso en pulverizadores mochila.

2. Especificaciones Técnicas

Modelo	400/500
Peso líquido	4.2 kg / 4.7 kg
Longitud de la lanza	600 mm
Longitud de la manguera	1350 mm
Depósito	
Capacidad	16 l / 18 l
Diámetro de la boca	105 mm
Material	Poliétileno
Bomba	
Tipo	Pistón
Pression de travail	5.9 bar
Boquilla armada	Cono regulable azul
Material	Latón

NORMAS DE SEGURIDAD – DEFINICIONES

Es importante que usted lea y comprenda este manual. La información contenida se refiere a la protección de SU SEGURIDAD y la PREVENCIÓN DE PROBLEMAS. Los siguientes símbolos se muestran para ayudarle a reconocer esta información.

PELIGRO!

Nos Indica una situación de peligro inminente que, si no la evitamos resultará en muerte o lesiones graves.

ADVERTENCIA!

Nos Indica una situación potencialmente peligrosa que si no la evitamos puede resultar en lesiones graves o muerte.

PRECAUCIÓN!

Nos Indica una situación potencialmente peligrosa que, si no la evitamos puede resultar en lesiones menores o moderadas.

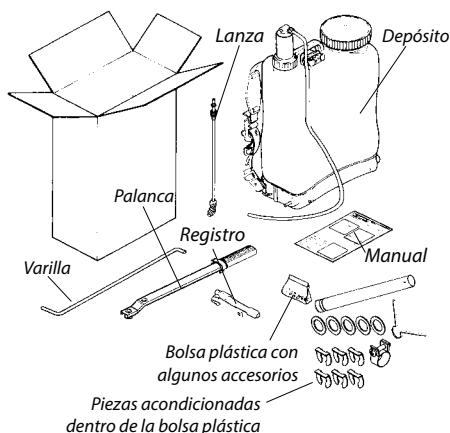
Aviso: La utilización sin el símbolo de alerta de seguridad indica una situación potencialmente peligrosa que, si no la evitamos, puede resultar en daños a su equipo.

SALVE ESAS INSTRUCCIONES: Ese manual contiene instrucciones de seguridad importantes para la utilización adecuada y mantenimiento de ese producto.

3. Preparo del Equipo para Utilización

3.1. Desembalar

Saque de la caja del pulverizador las siguientes piezas:



AVISO: El espacio mínimo necesario para la utilización, para el mantenimiento y para la reparación es de 1,5 m².

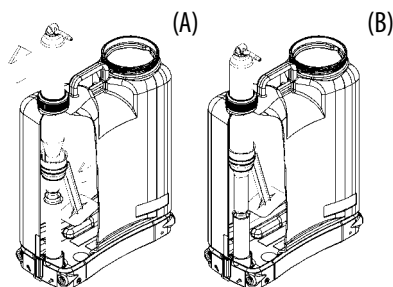


PRECAUCIÓN!

Note que el agitador está suelto adentro del tanque y debe ser adecuadamente armado.

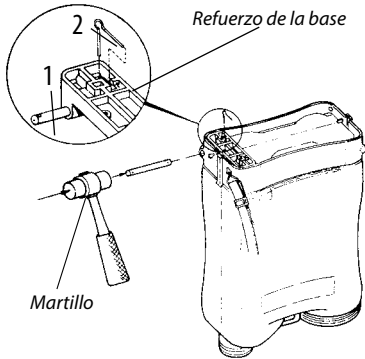
AVISO: La caja puede ser descartada en desechos reciclables

- Abrir la tapa del tanque y visualizar el agitador;
- Con una mano tire hacia arriba de la cámara, pero sin sacarlo del depósito de líquidos, hasta un nivel en el que será posible montar el agitador en su cuerpo (imagen A). Con la otra mano, coloque el agitador y asegúrese de que esté firme y apretado;
- Bajar la cámara con el agitador montado hasta que se ajuste en el cilindro (Imagen B).



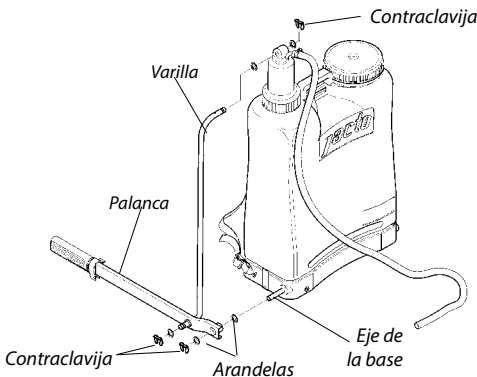
3.2. Montaje del eje

- Introduzca el eje (1) en el orificio que está libre en la base de la máquina (del lado que se encuentra la cámara).
- Golpee suavemente el eje (con martillo plástico) hasta que el orificio existente en la extremidad coincida con la orificio que hay en el refuerzo de la base.
- Trabe el eje con la contraclavija (2).



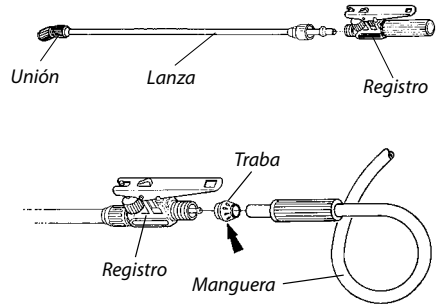
3.3. Montaje de la palanca

- Pase una fina camada de grasa en el orificio de la palanca y móntela en la varilla, usando una arandela lisa antes de instalar la contraclavija.
- Pase una fina camada de grasa en los orificios de la palanca y de la cámara.
- Coloque una arandela lisa en el eje de la base.
- Para facilitar el montaje, instale la palanca en el eje y en la cámara simultáneamente.
- Instale la otra arandela en el eje y en la varilla prendala con la contraclavija.



3.4. Fijación de la manguera en el registro (inicio y detención)

- Monte la lanza en el registro y apriete las tuercas lo suficiente para que no hayan fugas.
- Retire la manija del registro.
- Retire la traba.
- Pase la manguera por el interior de la traba y conéctela en el cuerpo del registro.
- Monte nuevamente la manija del registro.

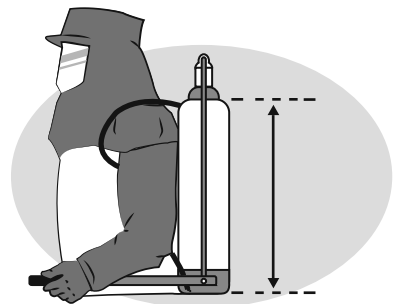


ADVERTENCIA!

No apriete excesivamente la tuerca.

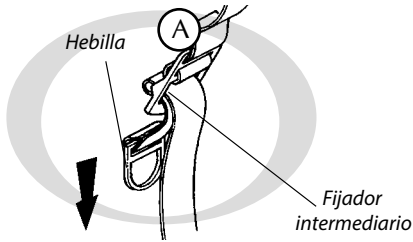
3.5. Ajuste de la correa

El depósito del equipo tiene forma anatómica que le proporciona mayor comodidad al operador. La correcta posición del equipo en el cuerpo del operador puede obtenerse con un sencillo ajuste de la correa.



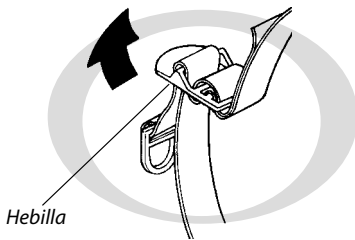
3.6. Apretar la correa

- Sujete firmemente el fijador intermediario de la correa. Con la otra mano, tire la hebilla hacia abajo.



3.7. Aflojar la correa

- Sujete firmemente el fijador intermediario de la correa. Con la otra mano tire la cinta hacia atrás.



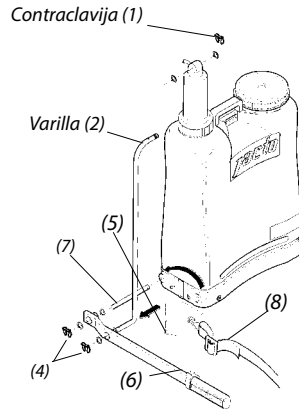
3.8. Alteración en la posición de la palanca

La máquina sale de fábrica preparada para utilizar la palanca de accionamiento con la mano izquierda. Si desea mudar esta posición proceda de la siguiente forma:

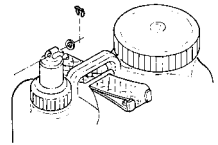
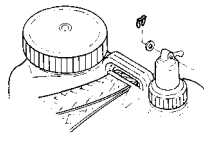
- Retire la contraclavija (1), las arandelas y retire la varilla (2) de la cámara de compensación.
- Luego, de un giro de 180° en la cámara de compensación.
- Monte la varilla (2) en la cámara y préndala nuevamente con la contraclavija.
- Retire las contraclavijas (4 y 5) y las arandelas.
- Retire la palanca (6).
- Retire el eje (7) y la correa (8).

Obs.: La correa debe ser retirada de ambos lados.

- Invierta las posiciones: instale la correa conforme muestra las figuras abajo. (Para montaje del eje siga las instrucciones del ítem 05).
- Instale las arandelas y monte la palanca para poder ser accionadas con la mano derecha.



- Cambie la cinta de lado conforme muestra la figura abajo.



3.9. Almacenamiento

El pulverizador debe ser almacenado en sitios seguros y con ventilación. No almacene el equipo con producto en el tanque. Los productos químicos pueden sufrir diferentes reacciones y dañar partes del equipo y la salud del operador. Almacene los pulverizadores en especial en sitios de invierno severo.



PRECAUCIÓN!

TRANSPORTE: Los pulverizadores no pueden ser transportados junto con alimentos, bebidas, medicinas, animales y personas sin el aparato adecuado (EPI).

4. El Funcionamiento Del Producto

4.1. Recomendaciones para la utilización

Ese equipo debe ser utilizado sólo con productos de protección de plantas aprobados para pulverizadores mochila.

No utilice líquidos ácidos o inflamables. Después de armar el pulverizador, rellene el tanque con agua limpia y verifique se hay vaciamiento en las siguientes piezas. Después de utilizar herbicidas, limpie el equipo para utilización de otros productos.

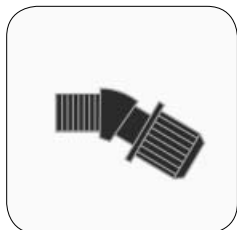
4.1.a. Mejores prácticas de pulverización



El volumen correcto de agua



Proporción correcta del producto



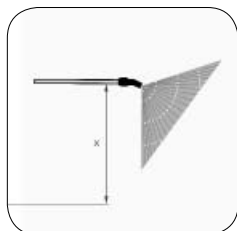
Boquilla correcta



Presión constante



Velocidad de avance constante



Altura uniforme de pulverización



Mantenimiento y limpieza del equipo

4.1.b. Aplicación



Utilice equipo de protección conveniente



No contamine el agua



Pulverice en dirección al viento y evite la deriva

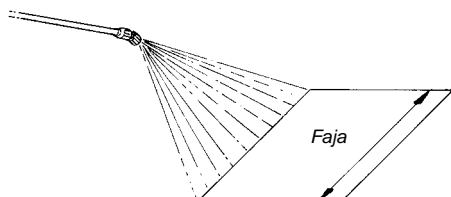


Mantenga la altura constante

4.2. Calibración del pulverizador

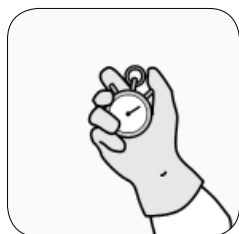
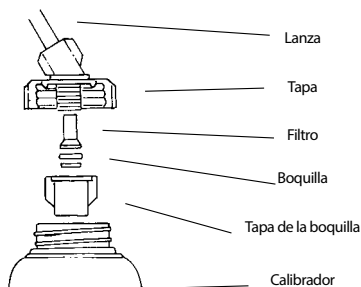
Using calibrator bottle (optional).

- Coloque la lanza en la altura de trabajo y mida el ancho de la franja de aplicación.
- De acuerdo con el ancho de la franja de aplicación se debe recorrer una distancia que corresponda a 25m².

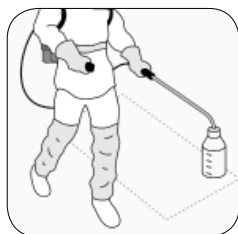


Ancho de la faja (m)	0.5	0.7	1.0	1.2	1.5
Distancia a recorrer (m)	50.5	35.7	25.0	20.8	16.7

- Fije el calibrador a la tapa conforme sigue:



Marque el tiempo para recorrer el área de 25 m²



Simule la pulverización en el área de 25 m²

1. Remueva la capa, la boquilla y el filtro;
2. Monte la tapa del calibrador;
3. Instale nuevamente la boquilla, el filtro y la capa;
4. Atornille el recipiente a la tapa.

- Tenga la lanza en la altura de trabajo normal y accione el registro adentro de la botella calibradora mientras camina la distancia requerida para pulverizar un área correspondiente a 25 m².
- Ponga la botella en una superficie plana y perciba el nivel del líquido visible por los lados de la botella. Compare el nivel del líquido con la escala correspondiente en la botella calibradora.
- Vacíe la botella y repita la operación para determinar la media de dos o más mediciones.

AVISO: Para el volumen de litros por fanega (L/alk), simplemente multiplique el valor obtenido en litros por hectárea (L/ha) por 2.42.



ADVERTENCIA!

Use vestimenta protectora para hacer el mantenimiento y cambio de las piezas.

4.3. Seleccione la boquilla correcta

Siete modelos principales de boquillas son utilizados en el pulverizador. Cada modelo de boquilla está disponible en una variedad de tamaños para optimizar el uso del producto a ser aplicado. La elección de la boquilla depende del tipo de defensivo agrícola que será utilizado y del tamaño de las gotas (tabla).

AVISO: Acompaña el equipo la boquilla cono regulable azul. Lás demás boquillas constantes en esta lista son opcionales y NO ACOMPAÑAN EL PRODUCTO.

TIPO DE BOQUILLA	FILTRO (Mesh)	IDENTIFICACIÓN (Part nº. - Descripción)	APLICACIÓN	PRESIÓN (psi)	TASA DE FLUJO (l/min)
	80 (amarillo zinc)	(1197535) JEF 110015 VERDE	Herbicidas	30	0.49
	50 (violeta)	(1197536) JEF 11002 AMARILLO		30	0.65
	50 (violeta)	(1197537) JEF11003 AZUL		30	0.98
	80 (amarillo zinc)	(1197475) JSF 110015 VERDE	Herbicidas	30	0.49
	50 (violeta)	(1197476) JSF 11002 AMARILLO		30	0.65
	50 (violeta)	(1197477) JSF11003 AZUL		30	0.58
	50 (violeta)	(1197565) JHC 8002 AMARILLO	Fungicidas, Insecticidas y abonos foliares	45	0.80
	50 (violeta)	(1198892) JHC 8004 ROJO		45	1.60
	50 (violeta)	(1198893) JHC 8005 MARRÓN		45	2.00
	50 (violeta)	(1197486) JDF 04 ROJO	Herbicidas y abonos foliares	15	0.92
	50 (violeta)	(1197487) JDF 05 MARRÓN		15	1.15
	50 (violeta)	(1197488) JDF 06 GRIS		15	1.39
	80 (amarillo zinc)	(1197497) JAI 120015 VERDE	Herbicidas	20	0.42
	80 (amarillo zinc)	(1197499) JAI 12002 AMARILLO		20	0.57
	50 (violeta)	(1197501) JAI 12003 AZUL		20	0.85



Code:1197164



Code:1197159



Code:1197163



Code:1197162

					0.8 Bar (0.8 kgf/cm ²)
					1.0 Bar (1.0 kgf/cm ²)
					1.2 Bar (1.2 kgf/cm ²)
					1.3 Bar (1.3 kgf/cm ²)
					1.5 Bar (1.5 kgf/cm ²)
					1.7 Bar (1.7 kgf/cm ²)
					1.8 Bar (1.8 kgf/cm ²)
					2.0 Bar (2.0 kgf/cm ²)
					2.3 Bar (2.3 kgf/cm ²)
					2.8 Bar (2.8 kgf/cm ²)
					3.0 Bar (3.0 kgf/cm ²)
					3.2 Bar (3.2 kgf/cm ²)

Boquilla			Herbi- cide	Fun- gici- de	In- secti- cide
Código	Nombre	Imagen			
1197571	JHC		▲	●	●
217174	JD-12		▲	●	●
1197537	JEF		●	■	■
1197477	JSF		●	■	■
325787	JADJ		▲	■	■
1197486	JDF		●	▲	▲
1197486	JAI		●	■	■

● Recomendable ■ Aceptable ▲ No recomendado

Previene que la tasa del flujo sea más alta que 10% de la tasa nominal de la boquilla.

Es recomendable la utilización de una válvula de regulación de presión y chorro (ECOVALVE) para alcanzar una aplicación más efectiva.

4.4. Influencia de condiciones climáticas

Mientras la aplicación, hay factores que pueden determinar una interrupción en el funcionamiento de la pulverización. Los vientos fuertes, por ejemplo, pueden arrastrar las gotas hacia una distancia más grande o más pequeña, en términos de grandeza o de peso. La temperatura y, especialmente, la humedad relativa del aire pueden contribuir para una rápida evaporación de las gotas.

Las condiciones climáticas ideales para una aplicación son:

- Humedad Relativa: Arriba de 50%;
- Velocidad del viento: 3-10 Km/h;
- Temperatura: Debajo de 30° C.

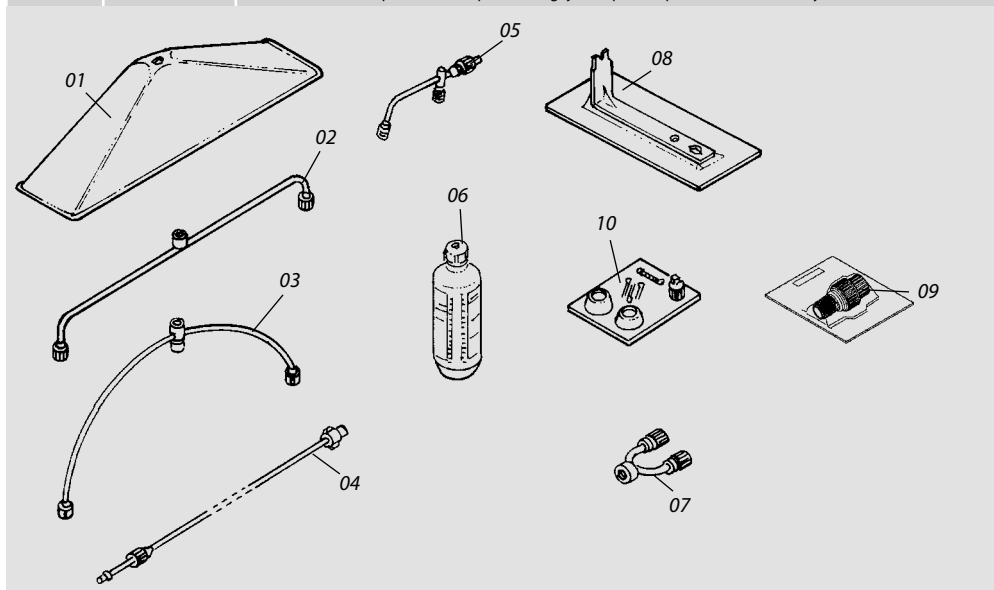
Esos límites deben ser considerados de acuerdo con la tecnología de aplicación utilizada, adoptando el tipo más seguro de gotas para cada situación.

Velocidad del aire en aproximado para la altura de la boquilla	Descripción	Señales Visibles	Pulverización
Hasta 2 km/h	Calmo	Las gotas salen en la vertical	Recomendable apenas con gotas gruesas o muy gruesas
De 2 hasta 3 km/h	Casi calmo	Las gotas salen inclinadas	
De 3 hasta 7 km/h	Brisa liviana	Las hojas oscilan. Se puede sentir el viento débil	Condiciones ideales para aplicación
De 7 hasta 10 km/h	Viento liviano	Hojas y ramos delgados en constante movimiento	Recomendable apenas con técnicas para reducción de la deriva
De 10 hasta 15 km/h	Viento moderado	Movimiento de las ramas. Polvo y trozos de papel son levados por el viento	Condiciones impropias para aplicación

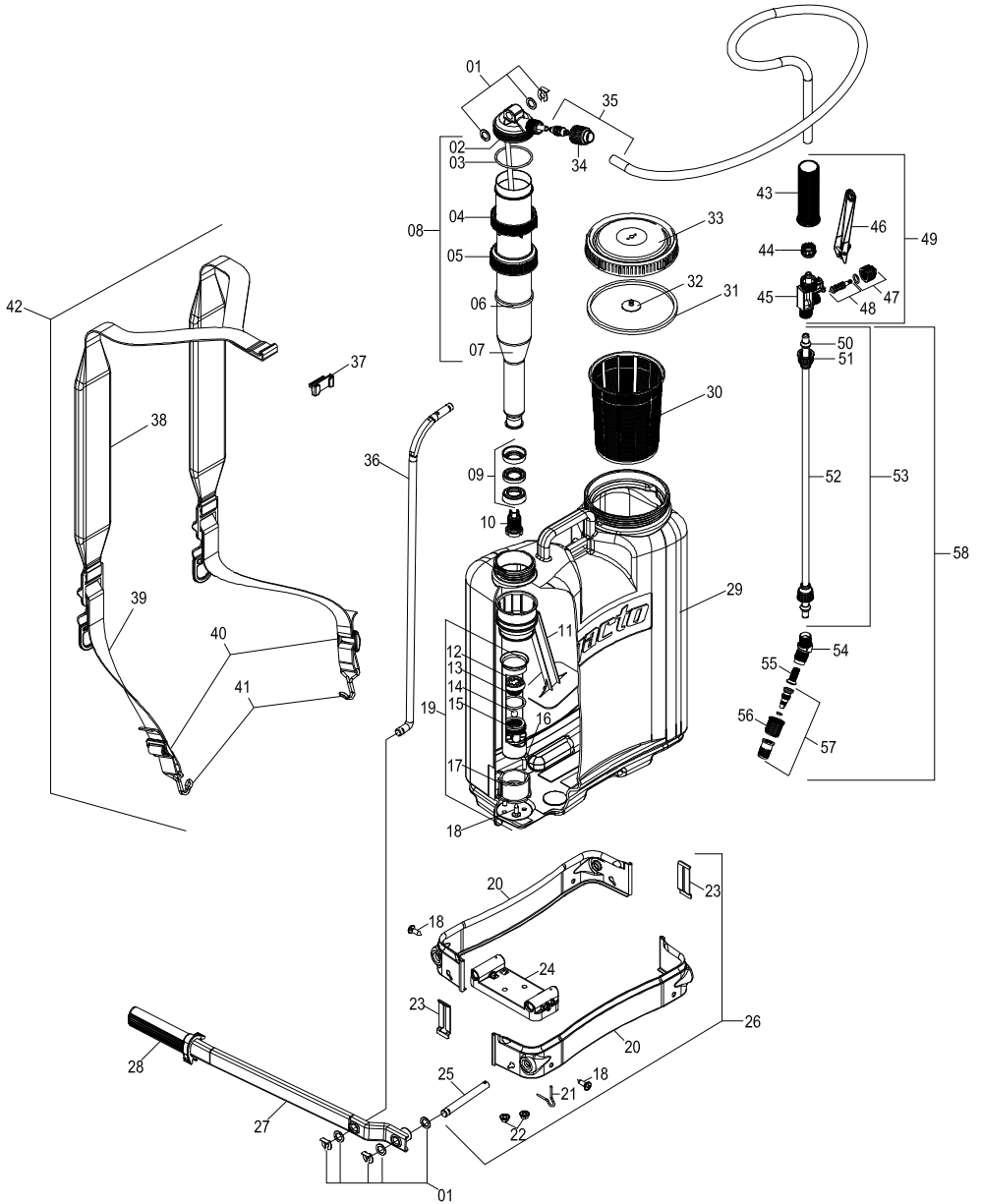
Factores	Clase de gotas en acuerdo con las condiciones climáticas		
	Muy delgadas o delgadas	Delgadas o medianas	Medianas o gruesas
Temperatura	Debajo de 25° C	De 25° C hasta 28° C	Arriba de 28° C
Humedad relativa	Arriba de 70%	De 60% hasta 70%	Debajo de 60%

4.5. Accesorios opcionales para pulverizadores

ITEN	CÓDIGO	RECOMENDACIÓN
01	761882	Protector tipo sombrero: evita la deriva de herbicidas no selectivos.
02	902296	Barra 500: mejora la cobertura y aumenta la productividad.
03	907873	Barra moldeable: se adapta para mejorar la cobertura.
04	728139	Extensión 600: permite un mejor alcance durante la aplicación.
05	100016	Extensión 160: dos boquillas par aumentar la cobertura y la penetración.
06	834309	Calibrador: utilizado para calibrar el caudal del pulverizador y evitar el desperdicio.
07	336115	Boquilla Y: mejor cobertura en la aplicación.
08	452284	Llave para mantenimiento general.
09	1197164	Ecovalve verde 0.8 Bar (0.8 kgf/cm ²)
	1197159	Ecovalve amarillo 1.3 Bar (1.3 kgf/cm ²)
	1197163	Ecovalve azul 1.8 Bar (1.8 kgf/cm ²)
	1197162	Ecovalve rojo 2.8 Bar (2.8 kgf/cm ²)
10	831016	Kit repuesto básico para PJH (aguja completa, tapa de la válvula, traba y émbolos).



4.6. Catálogo de piezas



4.6a. CD

Nº	Codigo	Descripción	Ct.
1	1198800	JUEGO DE ARANDELA Y ANILLO TRABA	1
2	942680	TAPA DE LA CÁMARA	1
3	573154	ANILLO ORI-136	1
4	40964	TUERCA DE LA CÁMARA	1
5	831222	PORTA PRENSAESTOPA	1
6	831230	PRENSAESTOPA	1
7	942722	CUERPO DE LA CÁMAR	1
8	878199	CÁMARA COMPLETA	1
9	99861	JUEGO DEL ÉMBOLOS Y ESPACIADOR	1
10	1192736	FIJADOR DEL ÉMBOLO	1
11	300582	AGITADOR	1
12	570788	PUERTA ESFERA	1
13	11668	ORING ORI-122	1
14	715474	ESFERA	1
15	433359	BASE DE LA ESFERA DEL CILINDRO	1
16	351486	TORNILLO M6 X 20 X 1,0	2
17	433367	BASE DEL CILINDRO	1
18	211227	TORNILLO NO. 14" X 3/4	4
19	433334	CYLINDER ASSEMBLY	1
20	942888	BASE SIMÉTRICA	2
21	433888	TRABA DEL EJE	1
22	743914	TUERCA	1
23	942896	GRAPA DE LA BASE	1
24	433870	REFUERZO DE LA BASE	1
25	433896	EJE DE LA PALANCA	1
26	635821	BASE	1
27	615005	PALANCA DE ACCIONAMIENTO	1
28	495812	MANIJA	1
29	878041	TANQUE CON TAPA	1
30	942920	COLADOR	1
31	837922	VEDACIÓN DE LA TAPA	1
32	560573	DIAFRAGMA DE LA TAPA	1
33	1215303	TAPA CON DIAFRAGMA Y VEDACIÓN	1
34	942193	TORNILLO CAP 5-20 X 1.5	1
35	48116	MANGUERA CON TUBO RECOLECTOR	1
36	1197400	VARILLA DE ACCIONAMIENTO	1
37	214817	TRABA DE LA CINTA	1
38	573014	CORREA CON PROTETOR	2
39	229971	CORREA CON TIRADOR	2
40	502757	HEBILLA	2
41	433474	GANCHO DE LA CINTA	2
42	573006	CINTA COMPLETA	1

Nº	Codigo	Descripción	Ct.
43	909192	MANIJA DEL REGISTRO LP601	1
44	920470	PINZA DE LA LLAVE - LP601	1
45	909283	CUERPO DE REGISTRO LP601	1
46	105247	PALANCA DEL REGISTRO	1
47	996058	TAPA DEL REGISTRO	1
48	105239	AGUJA COMPLETA (METAL)	1
49	908889	REGISTRO COMPLETO LP601	1
50	909309	JUNTA CÓNICA	2
51	915744	TUERCA CÓNICA	2
52	1149491	TUBO DE LA LANZA	1
53	100131	LANZA 601	1
54	560649	UNIÓN CON JUNTA CÓNICA	1
55	592139	FILTRO DE LA BOQUILLA	1
56	229724	CAPA DE LA BOQUILLA	1
57	325787	BOQUILLA CONO REGULABLE III (AZUL)	1
58	1205129	LANZA COMPLETA	1

4.7. Eliminación de los desechos de los productos

La eliminación de los desechos que resulten del desarme del equipo durante el servicio, el mantenimiento o fin de la vida útil del producto (desecho) debe ser hecha respetando el medio ambiente, previniendo la contaminación del aire, del solo o del agua. Caso sea necesario, el desecho debe ser puesto en envases adecuados y después transportados por personas y compañías calificadas e entrenadas.

El desecho del pulverizador debe ser hecho en sitios apropiados y aprobados para el recibimiento de ese tipo de material. En casos donde no exista un sitio apropiado en las cercanías, se debe contactar el servicio de Atención al cliente: JACTO INC. 19217 SW 119 th Ave. - Tualatin, Oregon 97062. Teléfono: (503) 885-8723, Fax: (800) 511-3671. E-mail: info@jacto.com - Home page: www.jacto.com.

5. Información Necesaria por Parte del Usuario

5.1. Procedimiento para identificación de deficiencia de presión

- Coloque aproximadamente 2 litros de agua en el tanque;
- Accione la palanca y observe en el interior del tanque como se presenta el problema;
- Compare el problema con la descripción de la tabla abajo.

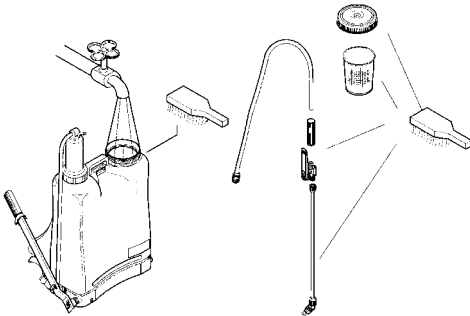
DESCRIPCIÓN	CAUSAS	CORRECCIONES
Fuga de líquido por la parte superior del cilindro	Émbolo gastado o reseado	Substituya o lubrique el émbolo
Después de bombear y cargar la cámara, al accionar la palanca, ésta baja rápidamente	Válvula del cilindro con deficiencia de empaque por desgaste o impurezas	Limpie o substituya
Después de bombear y cargar la cámara, al soltar la palanca, ésta sube rápidamente	Válvula de la cámara con deficiencia de empaque por desgaste o impurezas	Limpie o substituya la válvula.

5.2. Mantenimiento

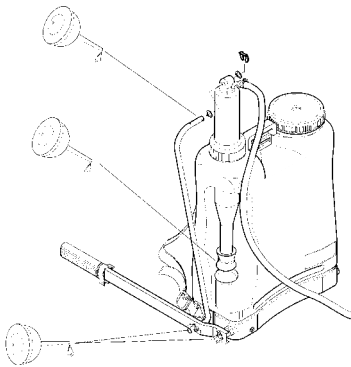
Cada 40 horas de utilización limpie la cámara y lubrique los componentes como se muestra en la figura. Saque la cámara y lubrique los émbolos. Siempre use Equipo de protección individual (EPI).

5.3. Limpieza del pulverizador

Al finalizar la aplicación, limpie y lave todo el equipo en un local donde no haya ningún riesgo de contaminación. Accione la palanca para la limpieza de la cámara.



Lubrique los componentes, conforme muestra el dibujo de abajo.



Saque la cámara y lubrique el pistón.

5.4. Drenaje

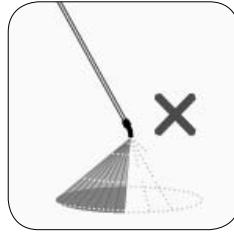
Usted debe drenar el líquido del equipo después de utilizarlo.

5.5. Las consecuencias de una utilización inadecuada

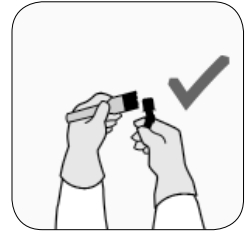
No cambie componentes del pulverizador. Siempre verifique se hay vaciamientos o mal funcionamiento. Siga las instrucciones de mantenimiento y utilice piezas originales ofrecidas por Jacto.

Una falla en seguir esas instrucciones puede ocasionar daño para la salud del operador y para el medio ambiente.

5.5a. Em caso que la boquilla se obstrua



Limpie las boquillas y filtros



Limpie las boquillas con un cepillo

No utilice herramientas metálicas. Utilice un cepillo con cerdas de nylon y detergente neutro para limpiar.

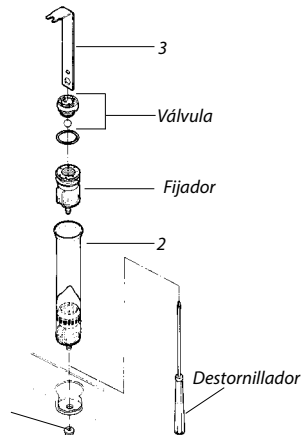
5.6. Mantenimiento de la válvula del cilindro

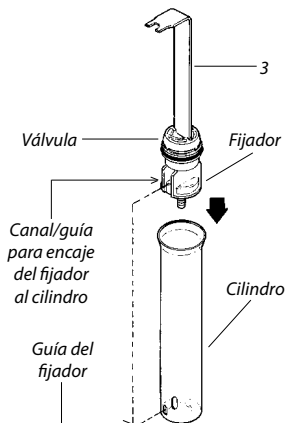
DESMONTAJE

- Retire la cámara del cilindro.
- Retire la tuerca del cilindro (1).
- Retire el cilindro (2).
- Con un destornillador (*) empuje el fijador hacia fuera del cilindro. No use objetos puntiagudos o cortantes para evitar daños en el fijador.
- Con la ayuda de la llave de mantenimiento (*) (3) suelte la válvula girando la llave en el sentido antihorario.
- Lave o sustituya la válvula.

MONTAJE

- Monte la válvula en el fijador.
- Monte el fijador en el cilindro observando la posición (fig.A).
- Instale el cilindro en el depósito y apriete la tuerca de fijación.
- Instale la cámara en el cilindro



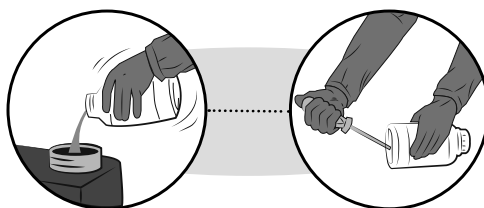
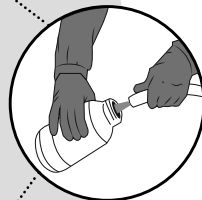
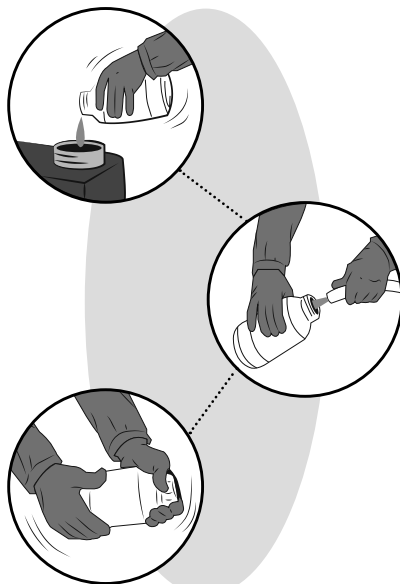


Los ítems no son suministrados junto con el producto

5.7. Triple lavado de envases vacíos de defensivos

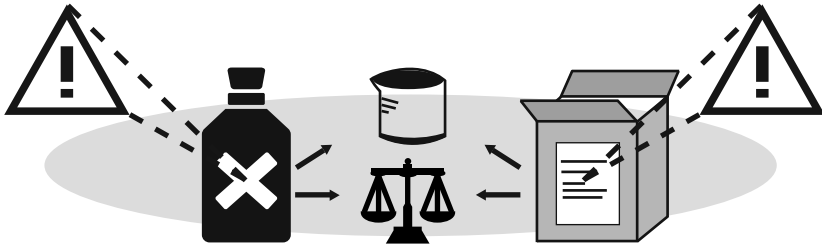
AVISO: Los envases considerados vacíos contienen residuos químicos. Por lo tanto, deshacerse de los envases sin lavar los residuos es extremadamente peligroso para el hombre, los animales y el medio ambiente. En el caso de contenedores químicos de metal, plástico y vidrio, cada contenedor deberá ser enjuagado tres veces para asegurar que los residuos sean eliminados completamente. Este manual describe cómo realizar el triple lavado de manera correcta, segura y eficaz.

1. Inmediatamente después de vaciar el contenedor, usted debe mantenerlo con la abertura para abajo sobre la abertura del tanque del pulverizador o sobre el balde utilizado para preparar la mezcla química durante al menos 30 segundos, hasta que no quede ningún residuo en el contenedor, cuando las gotas caigan en intervalos largos.
2. Sostenga el envase en posición vertical y llénelo con agua hasta 1/4. Por ejemplo: en un envase de 1000 ml, poner 250 ml de agua.
3. Coloque la tapa del recipiente y apríetela para evitar fugas durante la agitación.
4. Agite el recipiente fuertemente en todas las formas (horizontales y verticales), durante aproximadamente 30 segundos para eliminar los residuos que se encuentran en las paredes internas del recipiente.
5. Saque la tapa del recipiente y vierta cuidadosamente el agua de enjuague en el tanque del pulverizador.
6. Mantenga el recipiente sobre la apertura del tanque del pulverizador durante aproximadamente 30 segundos hasta la última gota.
7. Repita esta operación dos veces más. De esta manera, usted completa el triple lavado.
8. Inutilice los envases plásticos y metálicos por la perforación con un instrumento puntiagudo en la parte inferior de los envases. De esta manera, sus etiquetas no serán dañadas para propósitos de identificación.



ORIGEN: ASSOCIAÇÃO NACIONAL DE DEFESA VEGETAL - ANDEF

6. Recomendaciones de seguridad



ADVERTENCIA!

Lea detenidamente la etiqueta de productos químicos.

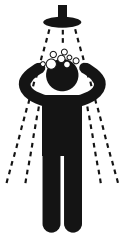
- Coloque 5 litros de agua en un recipiente y adicione el producto químico
- Agite hasta mezclarlo.
- Coloque la mezcla en el tanque durante el abastecimiento.



ADVERTENCIA!

Lave las manos y otras partes del cuerpo que tocan los productos químicos antes de empezar la fumigación.

- Después del trabajo, tomar un baño con agua fría y jabón abundantes.
- Cambiarse de ropa



AVISO: La ropa usada durante la pulverización debe ser lavada separada de otra ropa de uso normal.



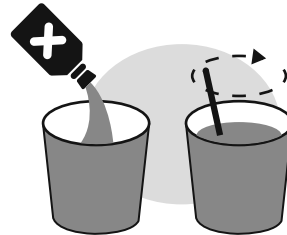
PRECAUCIÓN!

No utilice el equipo cuando se encuentre agotado, enfermo o bajo la influencia de alcohol u otras drogas o medicinas.



ADVERTENCIA!

Utilice equipos de protección individual



Protector para la cabeza

Protector para los ojos

Mascarilla anti polvo

Camisa de manga larga

Bata corta

Guantes

Pantalones largos

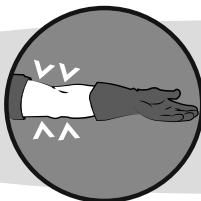
Botas





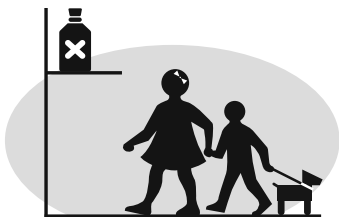
PELIGRO!

No coma, beba o fume mientras esté pulverizando. Grave riesgo de envenenamiento.



PRECAUCIÓN!

Mantenga los productos químicos fuera del alcance de los niños y animales.



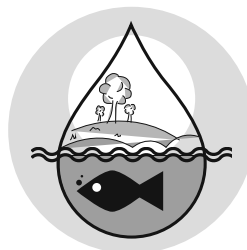
ADVERTENCIA!

No contamine el medio ambiente. Principios para preservación del medio ambiente, para reciclaje y para el desecho de cualquier equipo, piezas y componentes deben ser respetados, considerando las leyes efectivas (municipal, estatal o federal), así como las instrucciones del fabricante sobre las piezas, componentes o cualquier parte del equipo.



ADVERTENCIA!

En caso de intoxicación, procure un médico inmediatamente. Muéstrela la etiqueta del fabricante de los productos químicos.



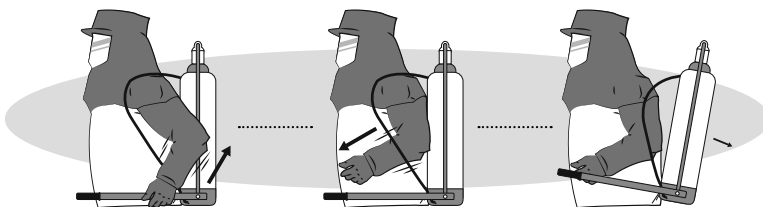
ADVERTENCIA!

El pulverizador no puede sufrir modificaciones, si hechas pueden ocasionar riesgos a la seguridad del operador y pérdida de garantía.



ADVERTENCIA!

Caso ocurra un accidente, saque el pulverizador inmediatamente cómo se ve en la imagen abajo.





ADVERTENCIA!

Cierre los productos químicos para prevenir que personas sin entrenamiento los manejen.



7. Instrucciones de Seguridad Importantes para Devolución

MÁQUINAS AGRÍCOLAS JACTO S.A. garantiza el equipo identificado en este manual, obligándose a reparar o substituir piezas y componentes que durante su utilización, en condiciones normales y siguiendo las recomendaciones técnicas, presenten DEFECTOS DE FABRICACIÓN O DE MATERIA PRIMA, obedeciendo las siguientes reglas.

PLAZO DE GARANTÍA:

- 3 (tres) años a contar de la fecha de emisión del boleto fiscal de venta al primer propietario.

APLICACIÓN DE LA GARANTÍA:

- La garantía será concedida por JACTO, gratuitamente, desde que las piezas y componentes presenten defectos de fabricación o montaje y después de análisis conclusivo en la fábrica.

PÉRDIDA DEL DERECHO DE GARANTÍA:

- Utilización del equipo en desacuerdo con las recomendaciones técnicas del MANUAL DE INSTRUCCIONES; con abusos, sobrecargas de trabajo o accidentes.
- Mantenimiento preventivo/correctivo dado por personas no autorizadas. - Empleo de piezas y componentes no suministrados por JACTO.
- Alteración del equipo o de cualesquiera características del proyecto original.
- Llenado incompleto o incorrecto de la solicitud de garantía.

ITEMS EXCLUIDOS DE LA GARANTÍA:

- Piezas que presenten desgaste o fatiga por uso, SALVO SI PRESENTASEN DEFECTOS DE FABRICACIÓN, MONTAJE O DE MATERIA PRIMA.
- Defectos resultantes de accidentes.

- Traslados y fletes de los equipos, piezas y componentes cuando las garantías no fueran concedidas.
- Traslados y transporte de personas y vehículos.

GENERALIDADES

- Piezas sustituidas en garantía serán propiedad de JACTO.
- La garantía de piezas y componentes sustituidos acaba con el plazo de garantía del equipo.
- Eventuales atrasos en la ejecución de los servicios no le dan derecho al propietario a indemnización o extensiones del plazo de garantía.
- Cualquier sugerencia, duda o reclamación, favor dirigirse al DISTRIBUIDOR JACTO más próximo.
- JACTO se reserva el derecho de introducir modificaciones o paralizar la fabricación de los equipos.

