

Grip Cradle

Cup Holder Phone Mount

User Manual

CUP HOLDER INSTALLATION

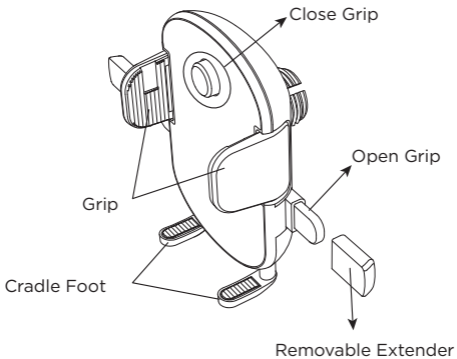
1. Make sure the cup holder expanding grips are all the way in.
2. Put the mount in the cup holder.
3. Twist the release knob clockwise in your cup holder until secure.

Caution:

Please make sure that the mount is installed in the center of the cup holder to avoid shaking while driving.



CRADLE OVERVIEW



CRADLE INSTALLATION



1. Pass Fastener through rotating ball on the Mount.
2. Push the mount on to the base connector and tighten the fastener to fix to desired angle.
3. Put your phone on the mount.



CAUTION

1. Do not install the holder where it will obstruct the driving view.
2. Periodically check the strength of the secure suction cup.
3. Do not operate phone and holder while driving.
4. Periodically check the tightness of the prevent unexpected drops.