

Fixings



*Not Included: 1 friend.

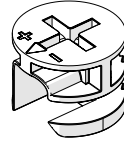
Like most things in life, assembling your bunk will be better with a friend!



x48
PINS



x4
DOWEL

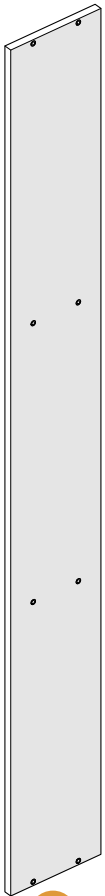


x48
CAMS



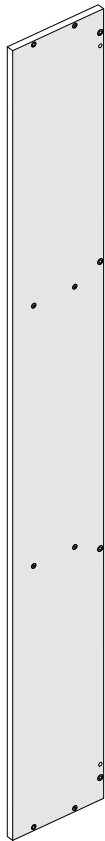
x1
MEASURING TUBE

Parts List - Frame



1

x1
BOTTOM
FRONT



2

x1
BOTTOM
BACK



3

x1
BACK
PANEL



4

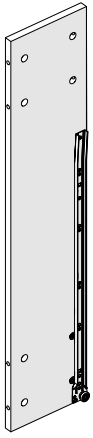
x1
TOP
BACK



5

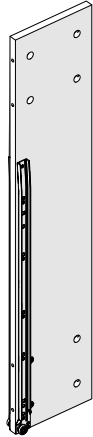
x1
TOP
FRONT

Parts List - Frame



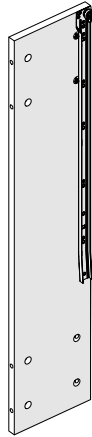
6

x1
LEFT
WALL



7

x2
INTERNAL
DIVIDERS



8

x1
RIGHT
WALL



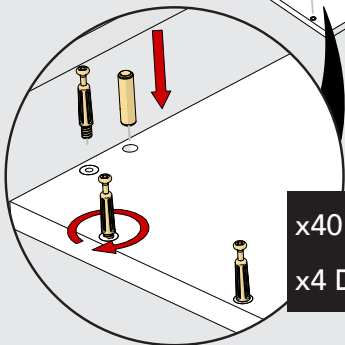
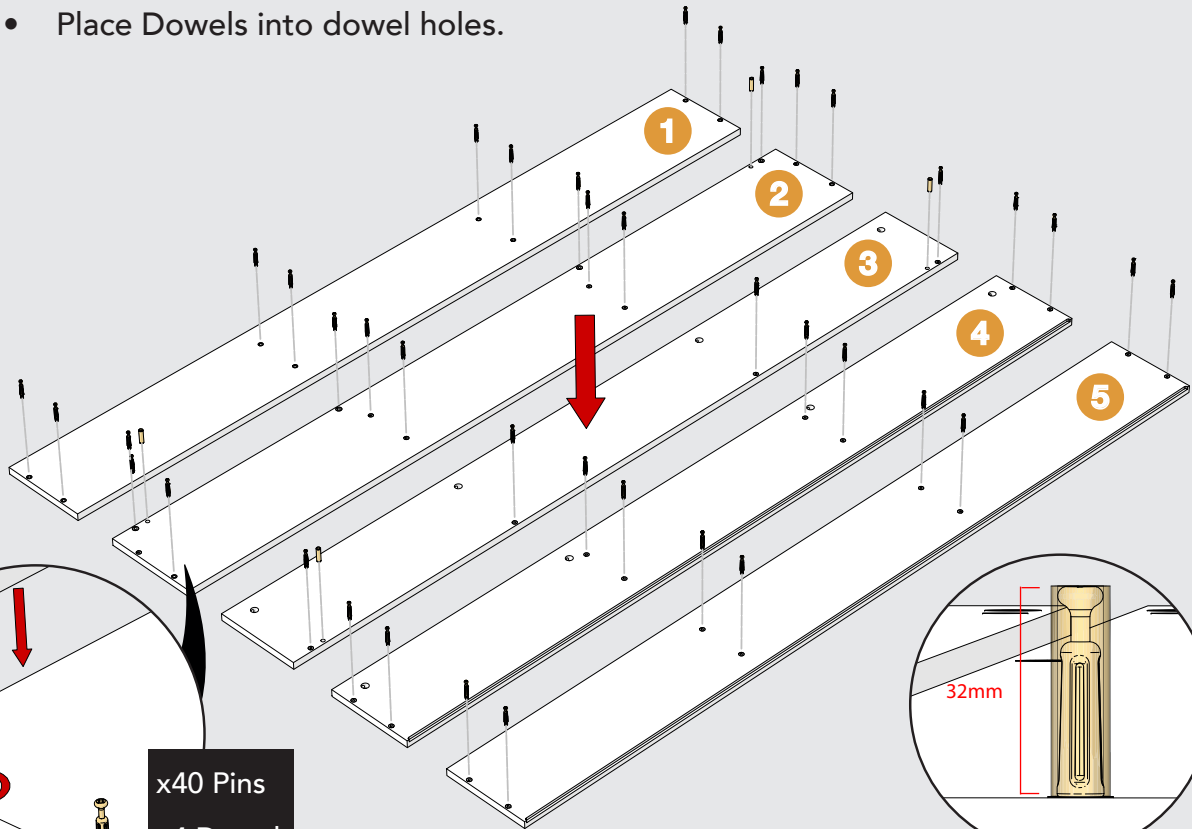
x2
DUST
COVERS



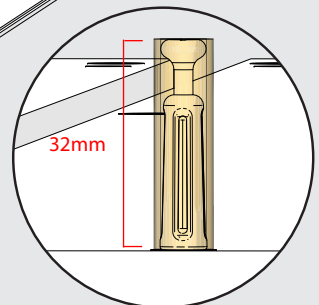
x1
DUST COVER
INSERT

1

- Screw Pins into nylon inserts in each panel. Tighten until top of Pin is flush with 32mm Measuring Tube. Do not overtighten.
- Place Dowels into dowel holes.

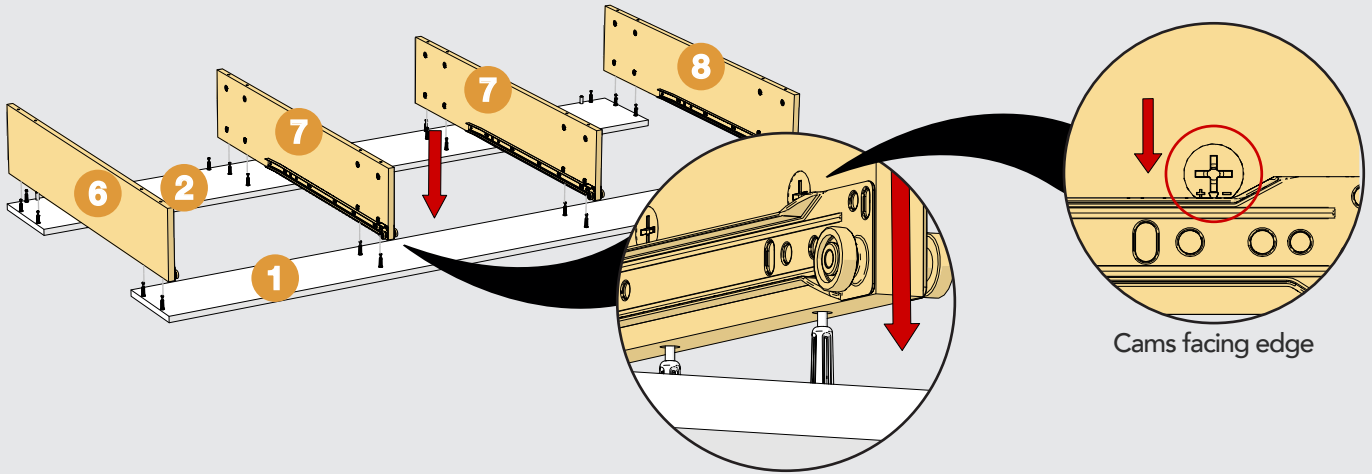


x40 Pins
x4 Dowel

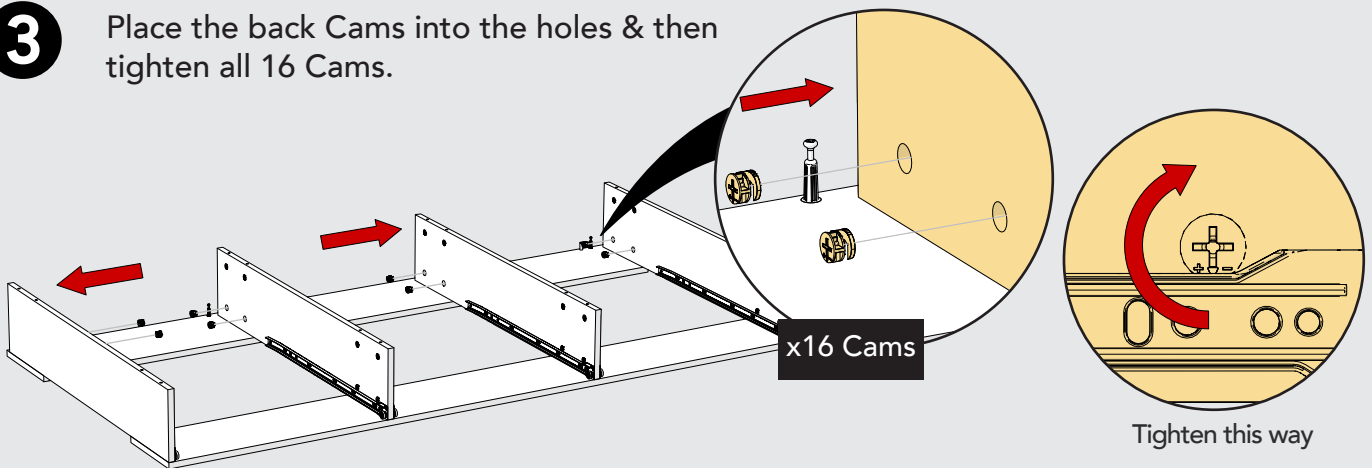


Flush Pin Example

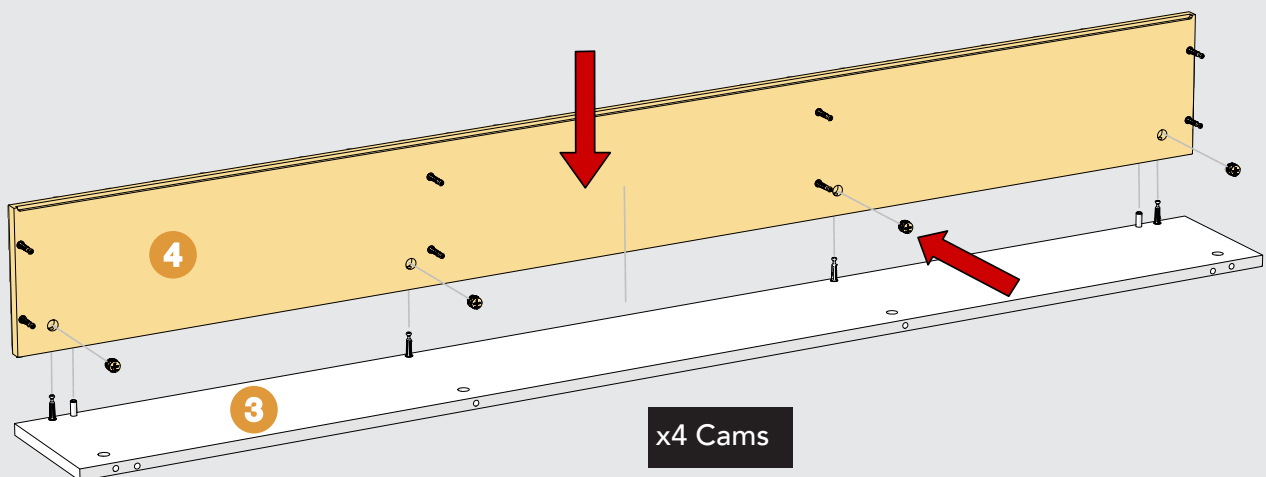
- 2** Align Middle Dividers and Outer Walls with Pins on the Front Bottom and Front Back. Make sure the arrow on the Cams is facing the edge of the panel. Lower the panels onto the pins.



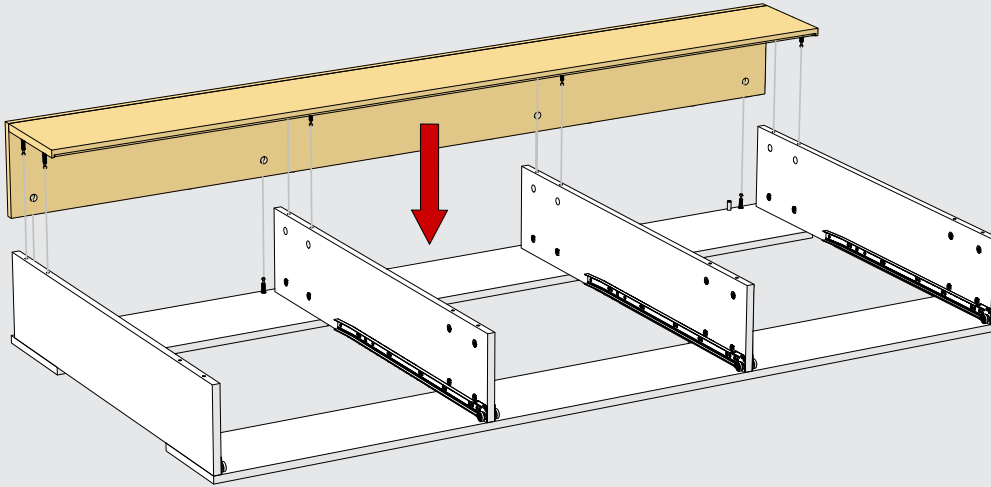
- 3** Place the back Cams into the holes & then tighten all 16 Cams.



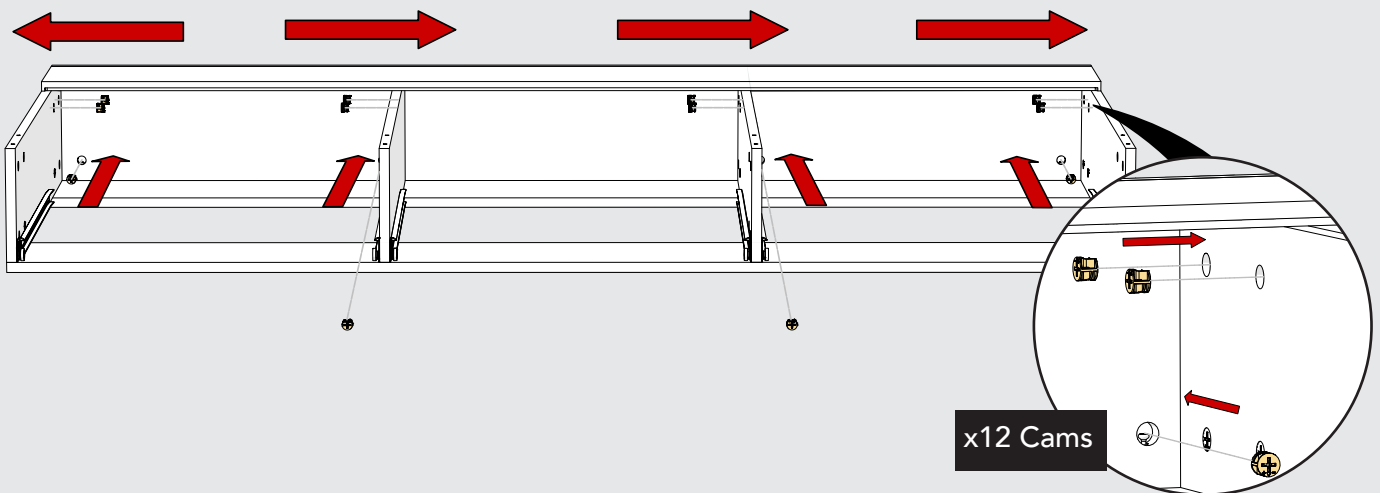
- 4**
- Place Back Panel on Floor with Pins facing upwards.
 - Lower the Top Back panel and then insert and tighten Cams.



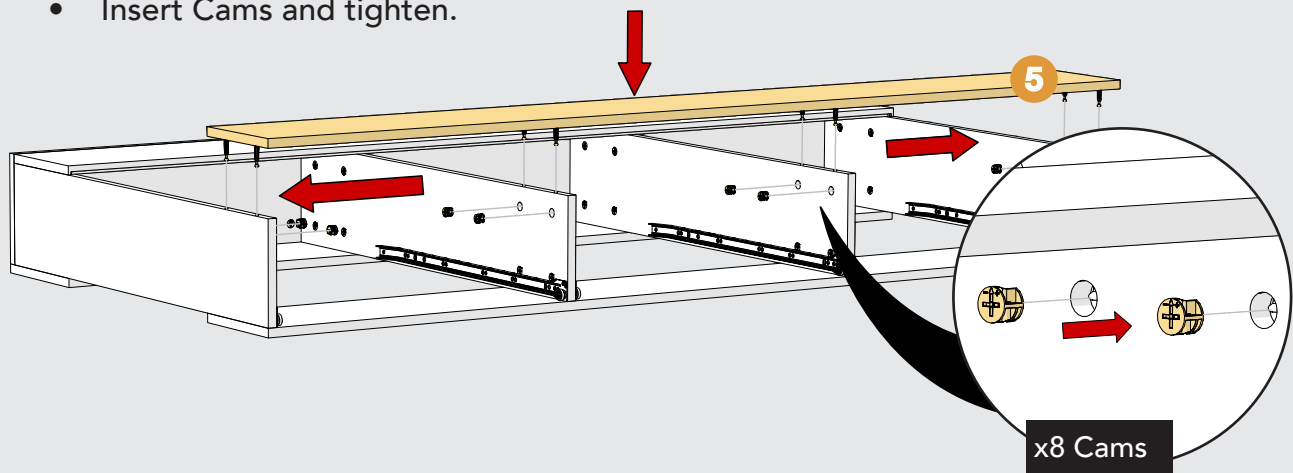
- 5** Align so the Pins are facing downwards and lower into the pilot holes.



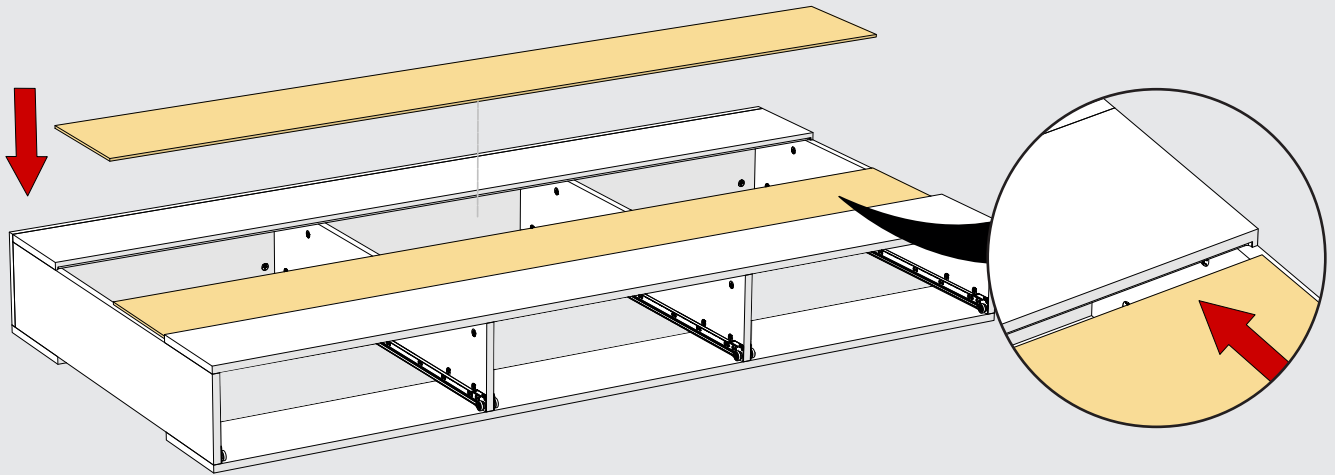
- 6** Place Cams into holes and tighten.



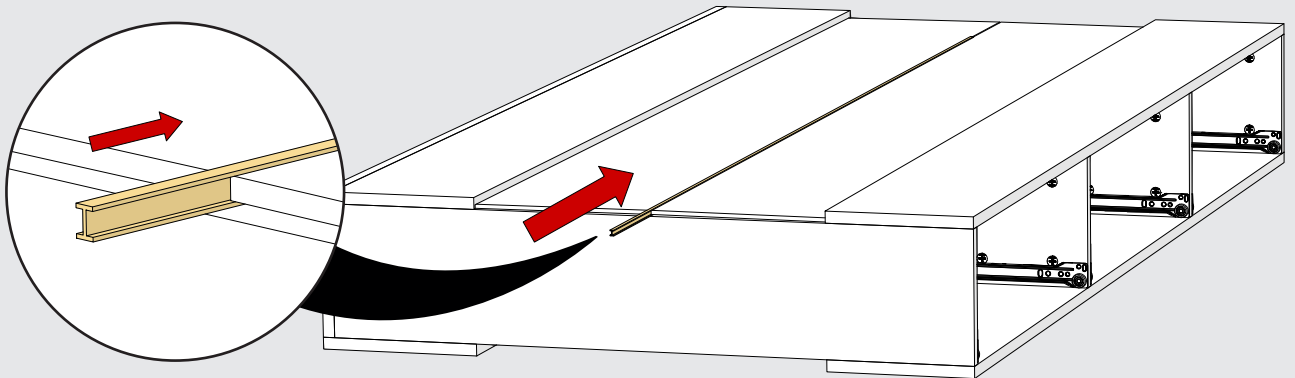
- 7**
- Align the Pins above the pilot hole and lower the Top Front.
 - Insert Cams and tighten.



- 8** Place Dust Covers on the unit and slide into the channel in the Top Front & Top Back Panels.

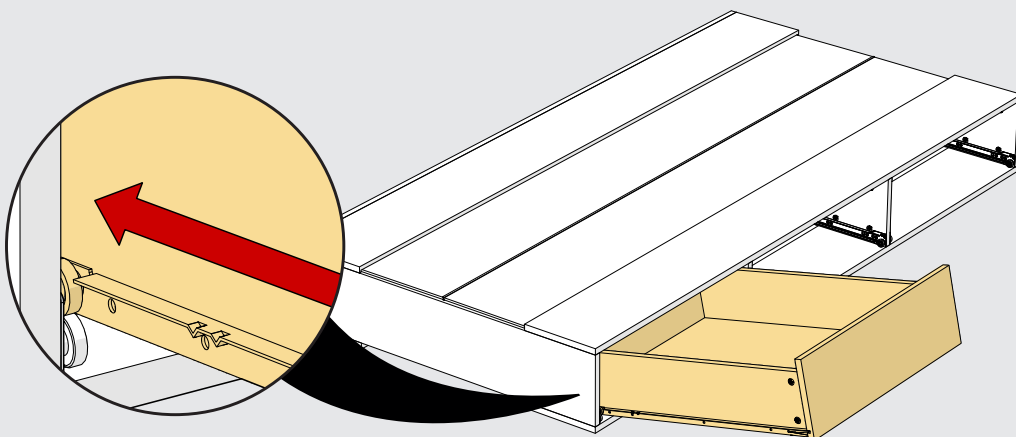


- 9** Slide Dust Cover Cap between the two Dust Covers.

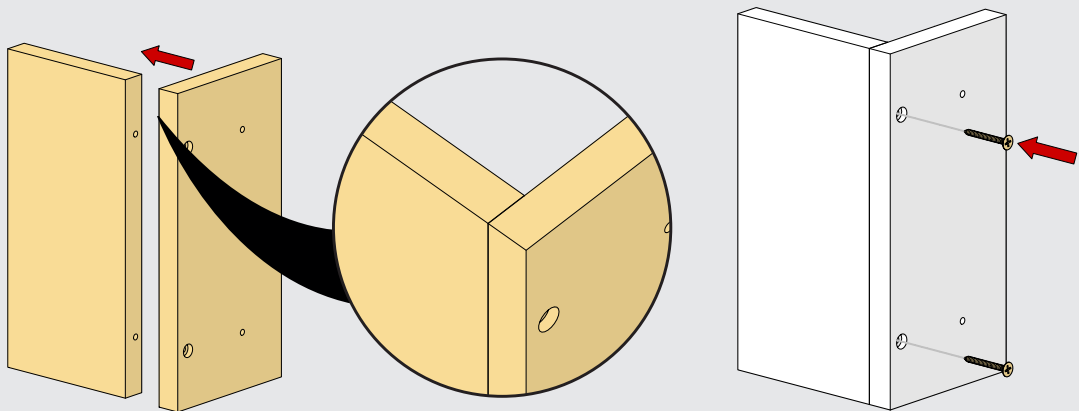


- 10** Refer to the Drawers Manual to assemble the three Drawers.

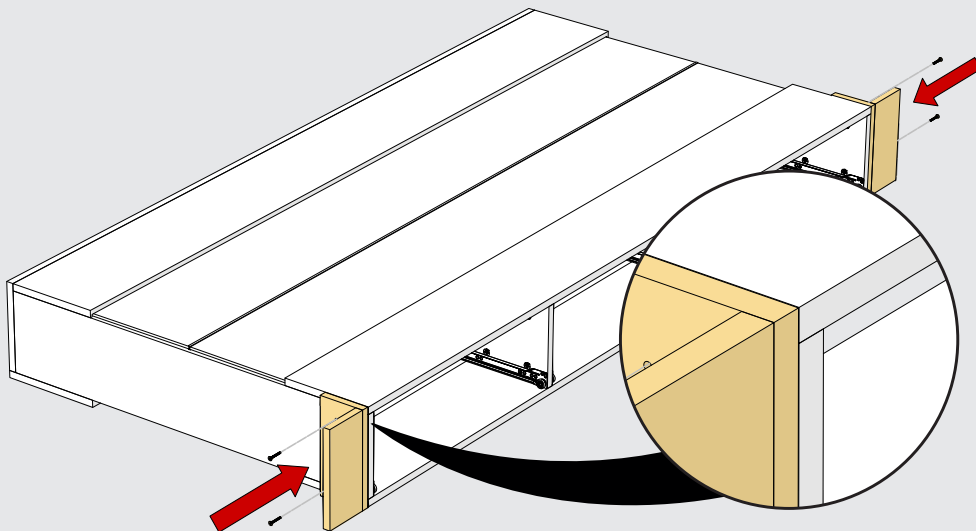
Then Position the drawer on an angle in one of the cavities with the rail wheels resting on top of each other. Gently push the drawer forward. Repeat this two more times.



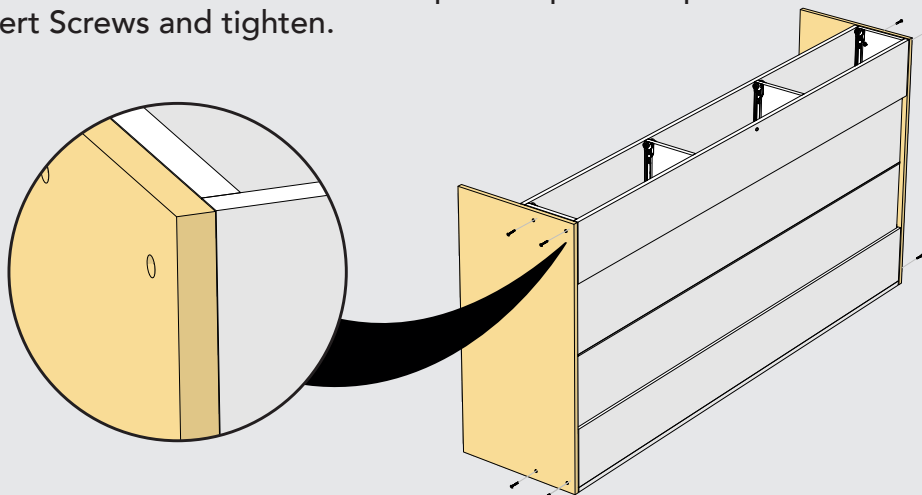
- 11** If Underbed Blocks are required, line up corners flush with each other and insert screws into holes.



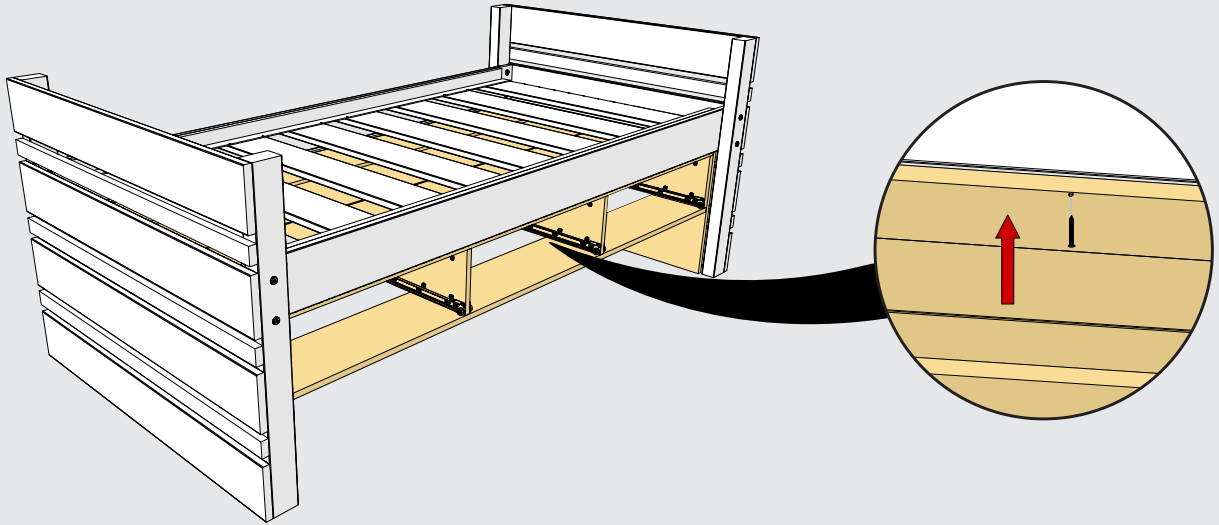
- 12** Next make the Underbed Blocks flush with the front and top edge of the frame and insert screws.



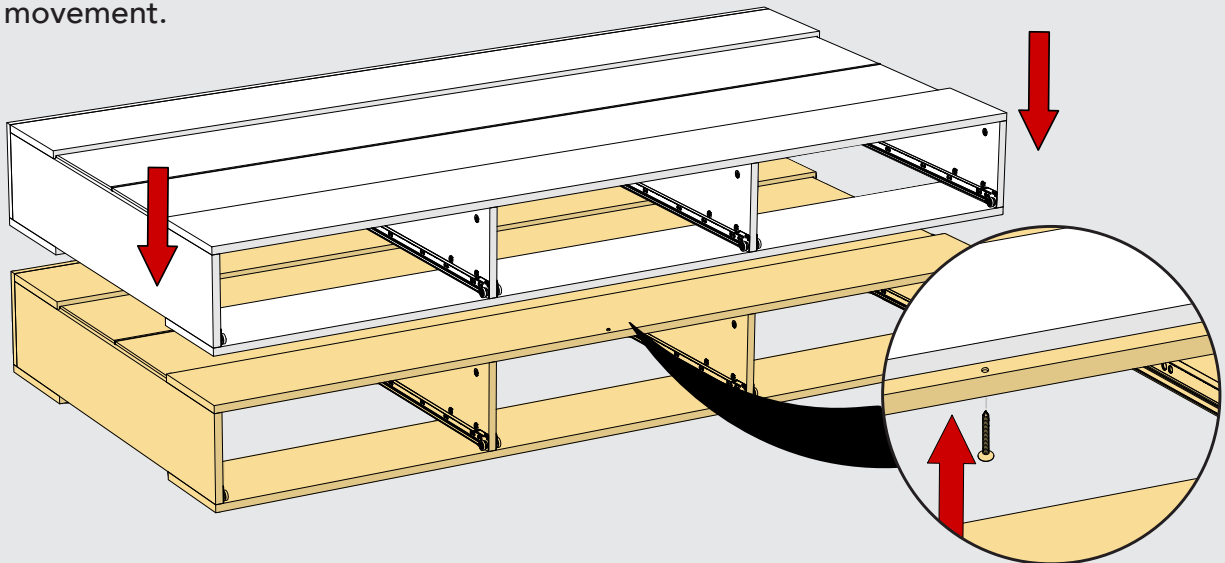
- 13** If Elevation Plates are required, rotate frame onto the back and align Elevation Plates flush with the Top Front panels top and back face. Insert Screws and tighten.



- 14** Position Drawer unit under the Captains Bed and fix to underside of Side Rail via the hole in Top Front panel.



- 15** If two Underbed Drawer sets are used under a Captains Bed, place one on top of the other and fix together through hole in Top Front panel to prevent movement.



- 16** Standard Unit fully assembled.

