
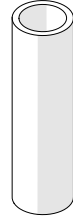
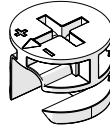
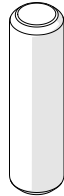


Fixings

 *Not Included: 1 friend.
Like most things in life, assembling your Bookcase will be better with a friend!



PINS

DOWEL

CAMS

CAM STICKERS

MEASURING TUBE

Small Bookcase - x16
Large Bookcase - x16

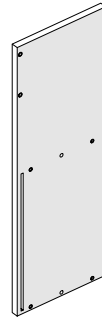
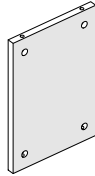
Small Bookcase - x4
Large Bookcase - x4

Small Bookcase - x16
Large Bookcase - x16

Small Bookcase - x12
Large Bookcase - x12

Small Bookcase - x1
Large Bookcase - x1

Parts List - Frame



INTERNAL DIVIDER

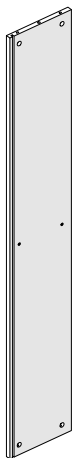
LEFT WALL

RIGHT WALL

Small Bookcase - x1
Large Bookcase - x1

Small Bookcase - x1
Large Bookcase - x1

Small Bookcase - x1
Large Bookcase - x1



TOP PANEL

BOTTOM SHELF

BACK PANNEL

FLOOR SUPPORT

Small Bookcase - x1
Large Bookcase - x1

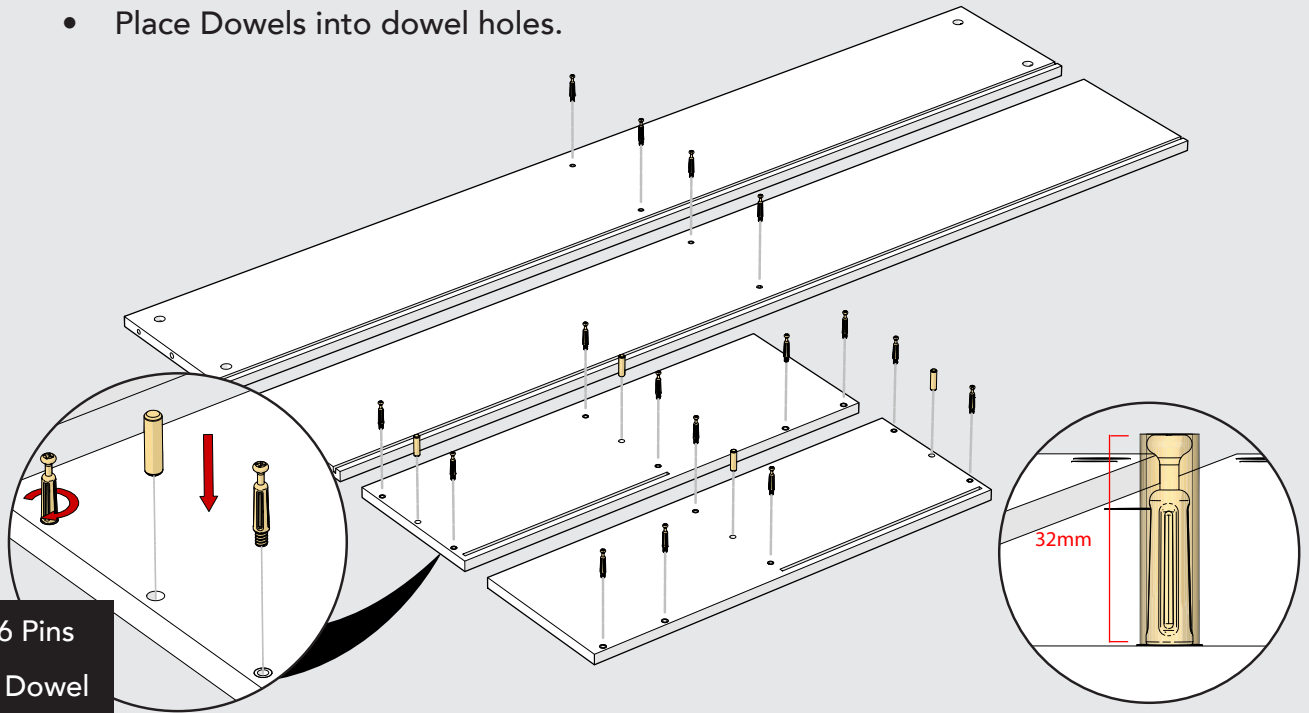
Small Bookcase - x1
Large Bookcase - x1

Small Bookcase - x1
Large Bookcase - x1

Small Bookcase - x1
Large Bookcase - x1

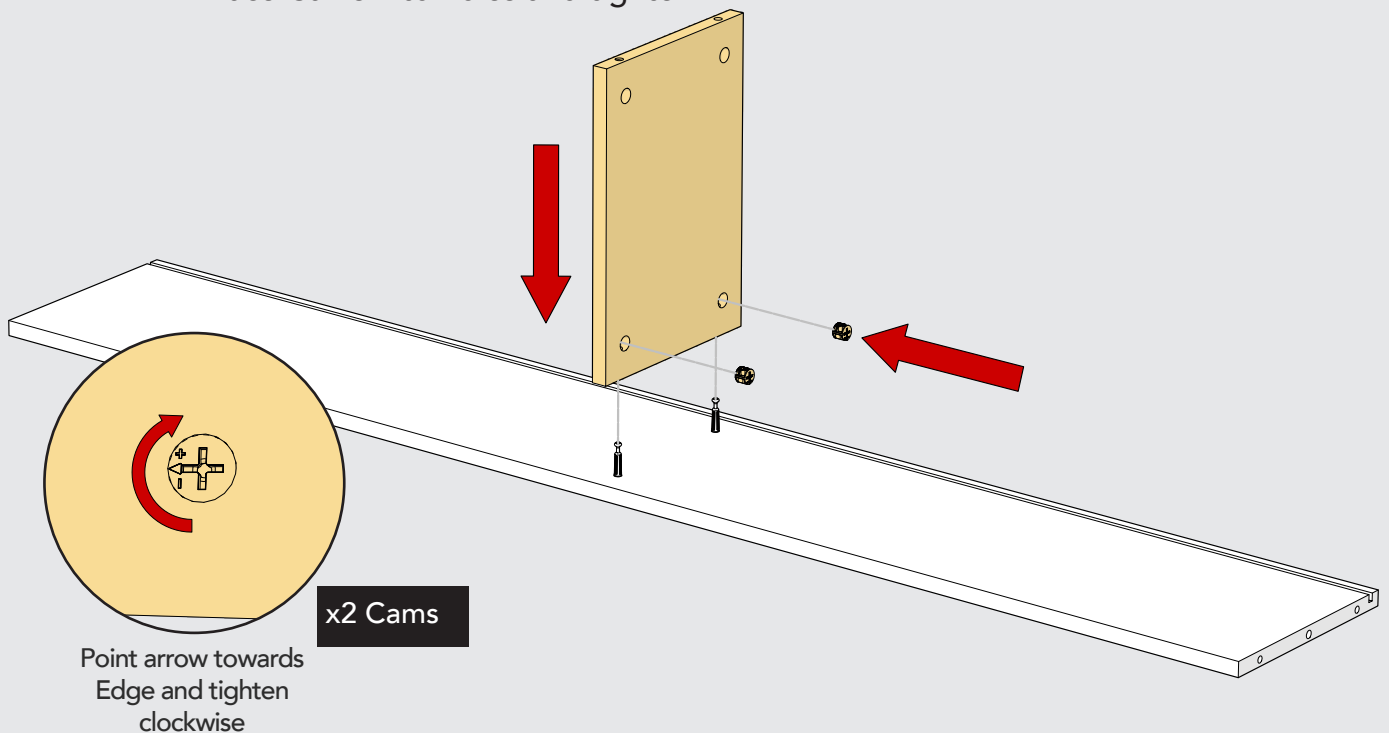
1

- Screw Pins into nylon inserts in each panel. Tighten until top of Pin is flush with 32mm Measuring Tube. Do not overtighten.
- Place Dowels into dowel holes.



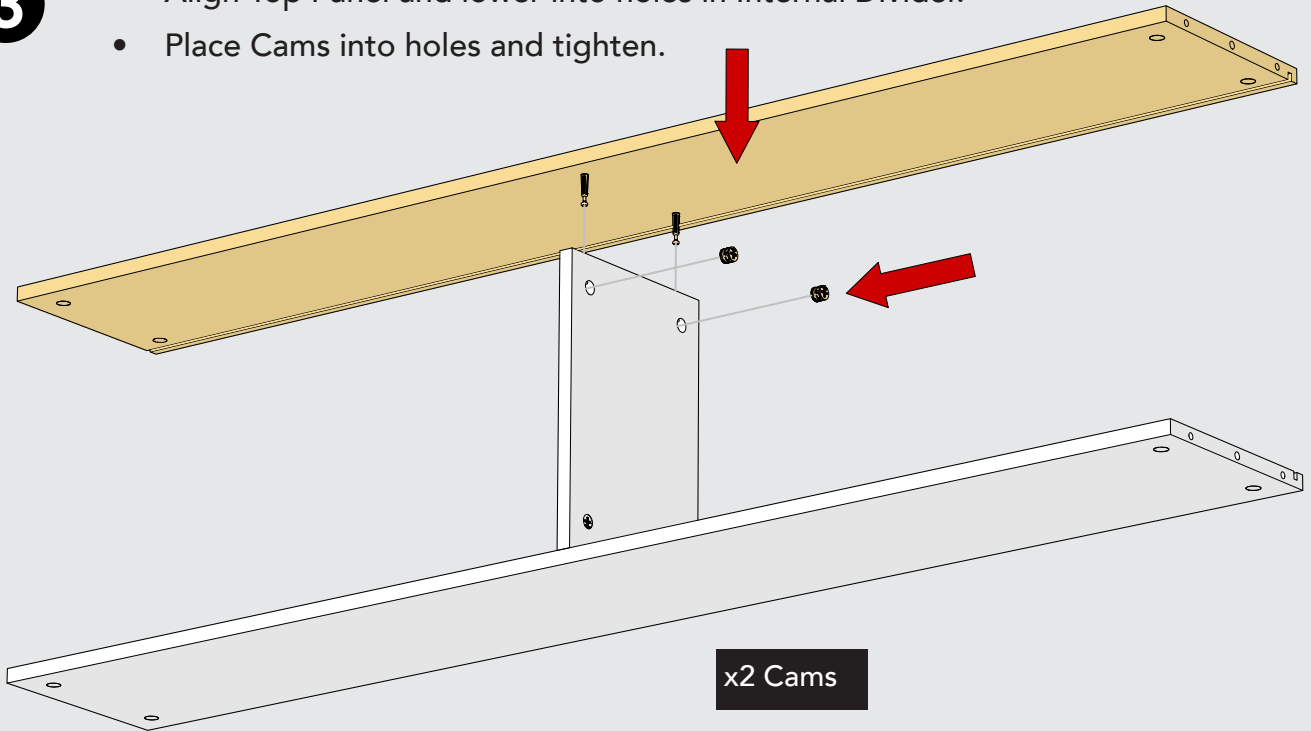
2

- Place Bottom Shelf on ground then align and lower Internal Divider onto the pins.
- Place Cams into holes and tighten.



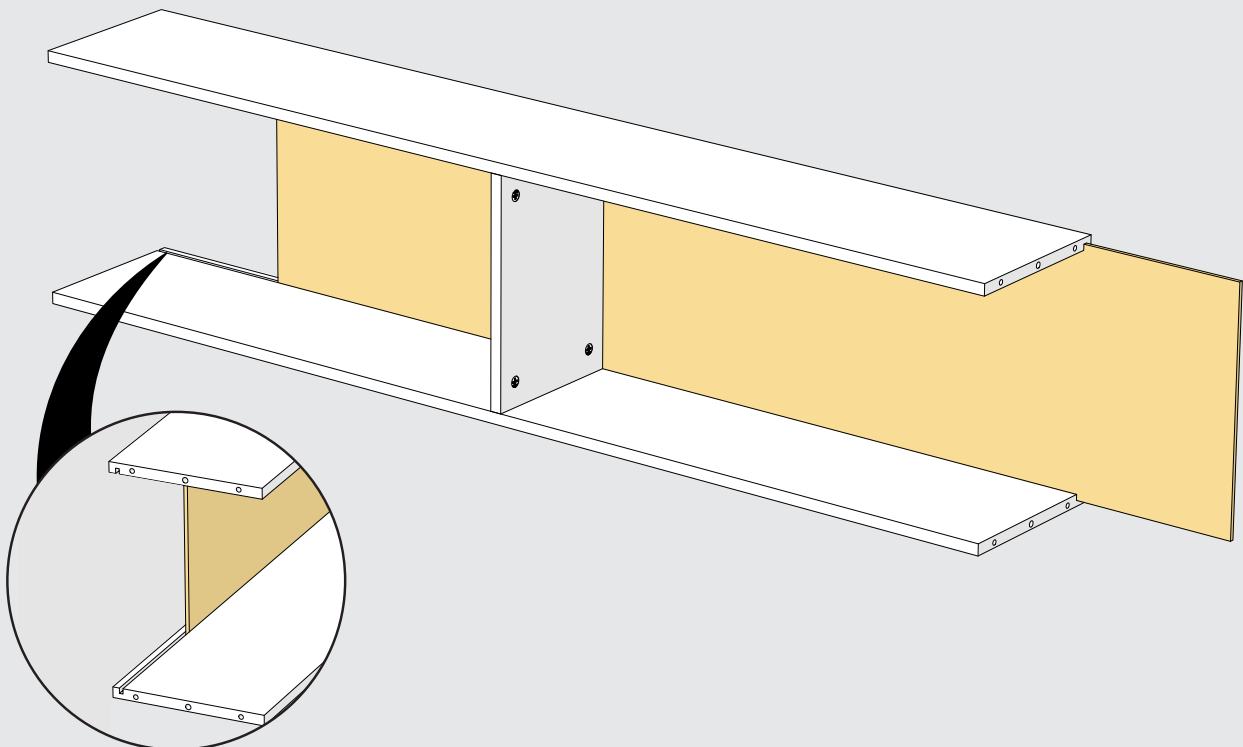
3

- Align Top Panel and lower into holes in Internal Divider.
- Place Cams into holes and tighten.



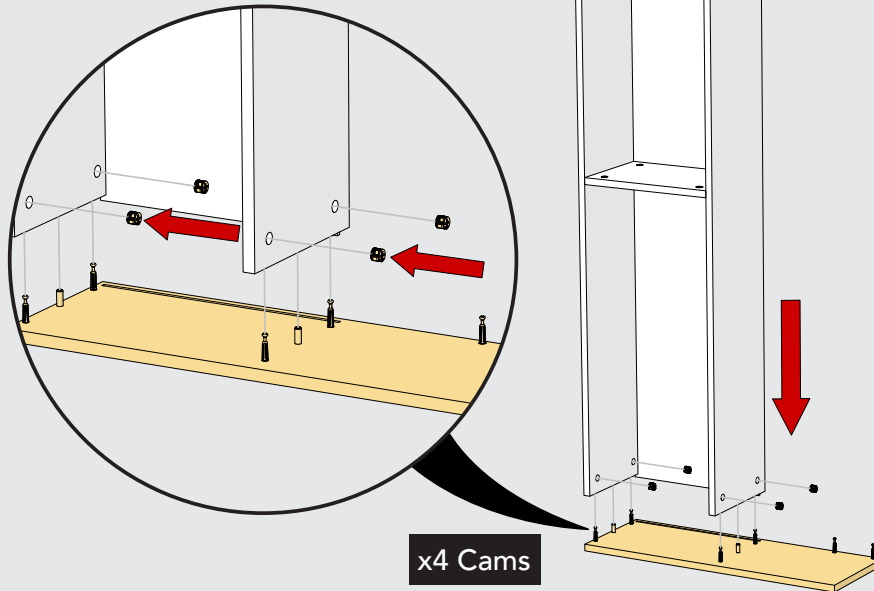
4

- Slide Back Panel in the channel in the Top & Shelf parts.



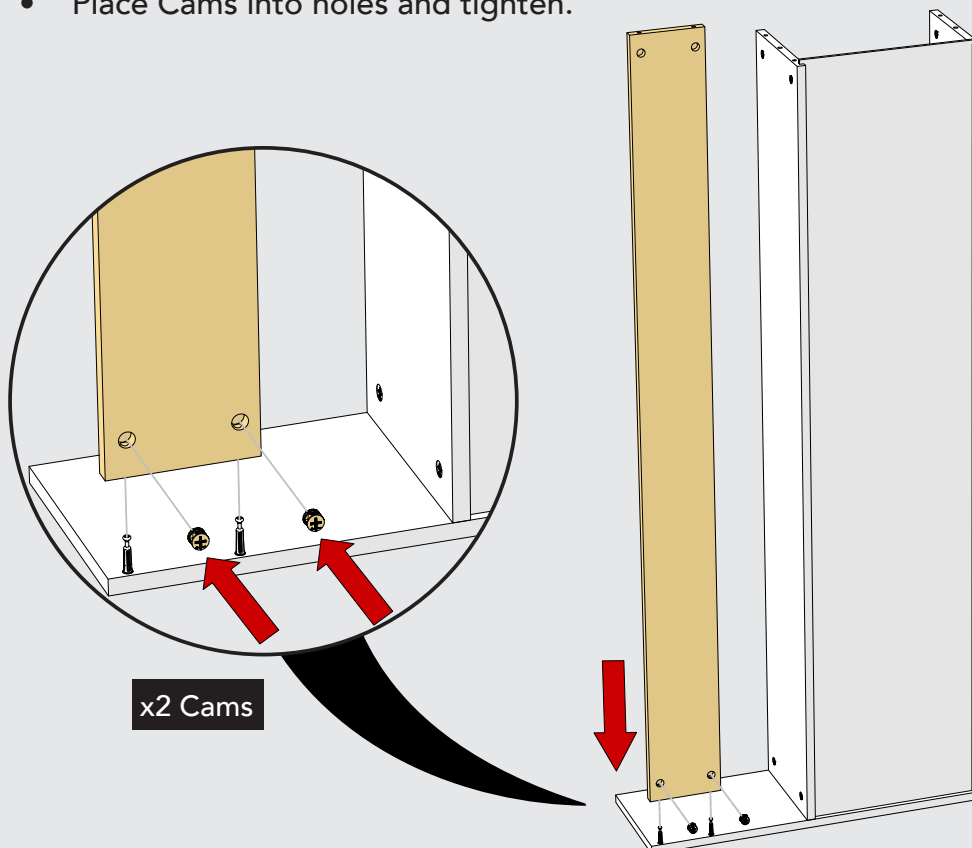
5

- Place Left Wall on ground and Align the unit above the Pins, Dowels and channel, then lower.
- Place Cams into holes and tighten.



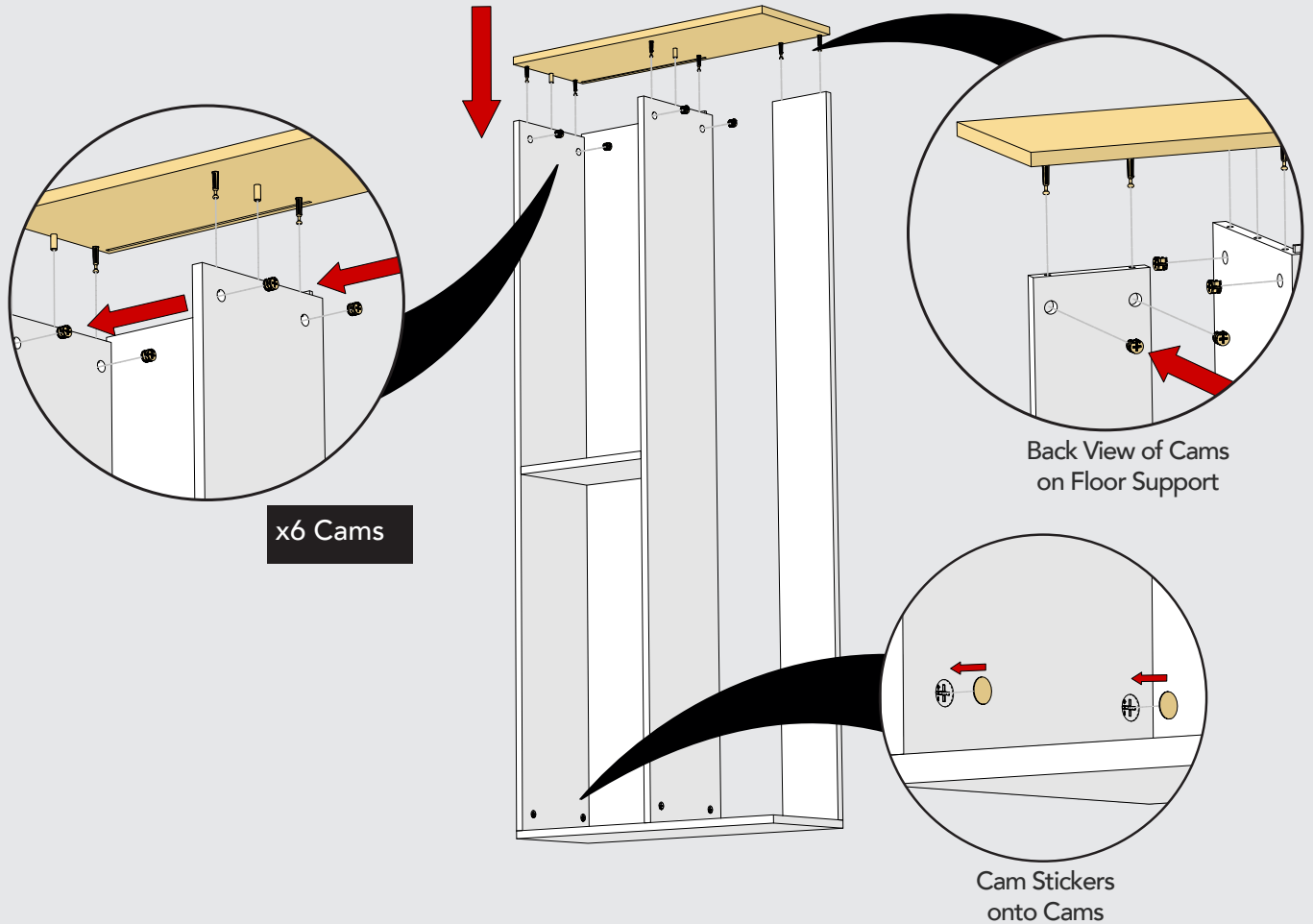
6

- Align Floor Support with the Pin on the left wall and lower.
- Place Cams into holes and tighten.



7

- Align Right Wall with the pilot holes and channel and lower.
- Place Cams into holes and tighten.
- Place Cam Stickers on all visible Cams.



8

Standard Units fully assembled.

