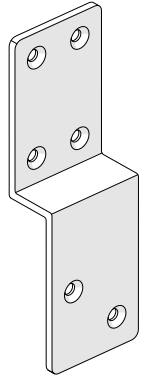
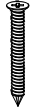
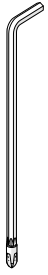


Fixings



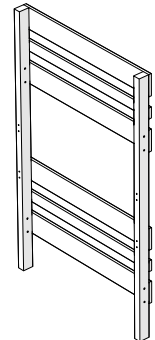
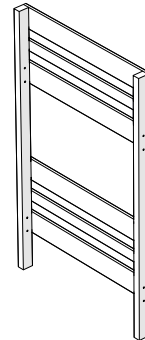
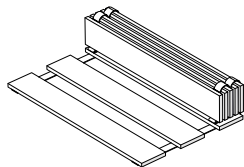
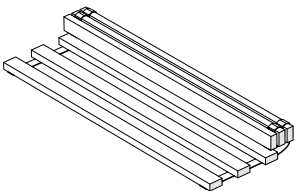
*Not Included: 1 friend.

Like most things in life, assembling your bunk will be better with a friend!



x1 ALLEN KEY	x32 Single & King Single x20 Double & Queen SCREW	x4 SCREW	x16 Double & Queen SCREW	x2 90mm BOLT	x16 64mm BOLT	x18 WASHER	x4 DOWEL	x2 BRACKET
	A	B	C	D	E			

Parts List



x4
SLATS
Double or Queen

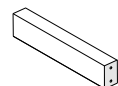
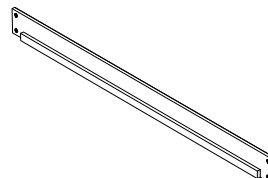
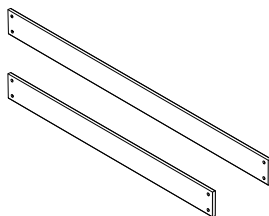
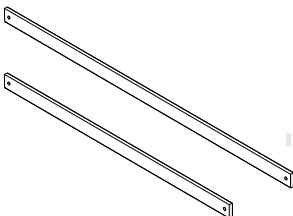
x2
SLATS
Single or King Single

x1
LADDER
UPRIGHT

x1
HEAD FRAME

x1
FOOT FRAME

*foot frame features
dowel holes on
uprights



1 + 1
SAFETY SPACER

Single or Double
1920mm + 1495mm

King Single or Queen
1630mm + 2060mm

1 + 1
SAFETY RAIL

Single or Double
1920mm + 1495mm

King Single or Queen
1630mm + 2060mm

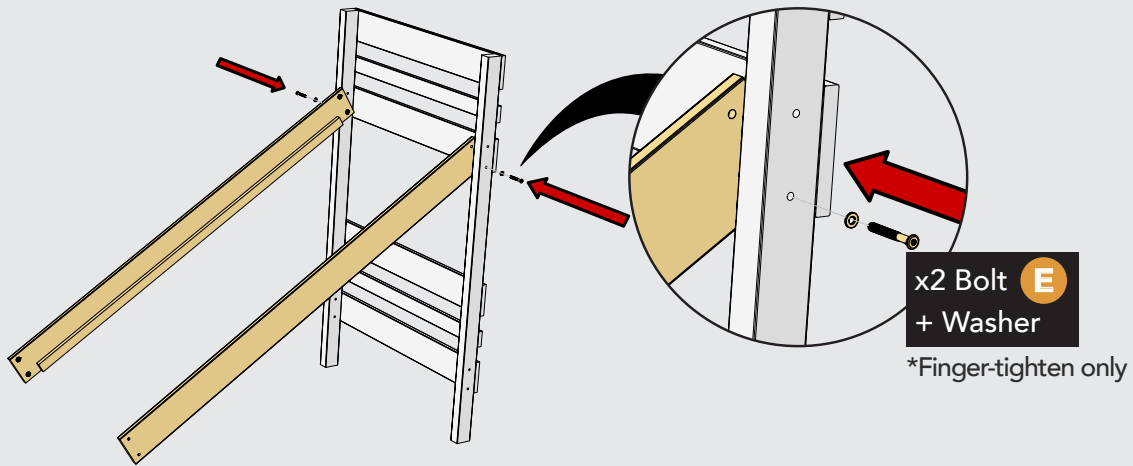
x4
SIDE RAIL

Single or Double
1920mm

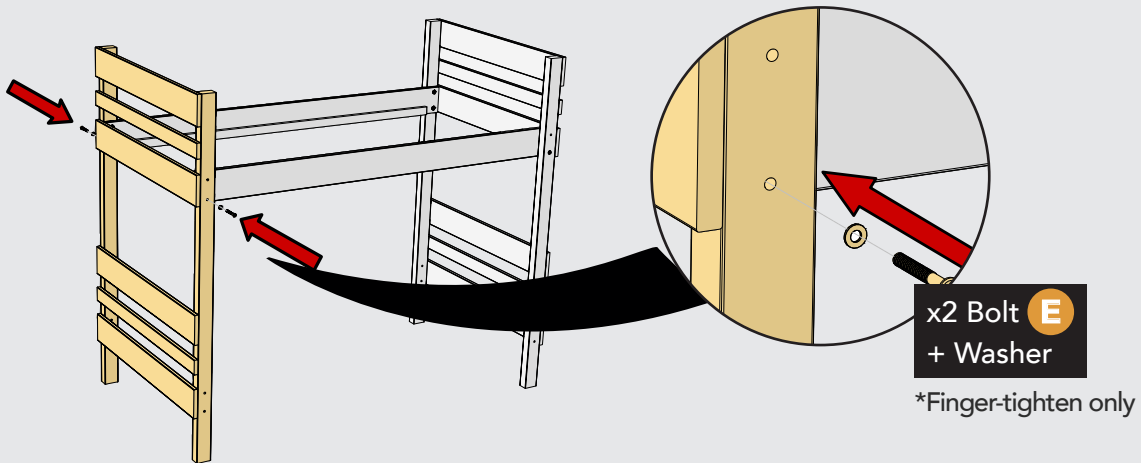
King Single or Queen
2060mm

x2
LADDER RUNG

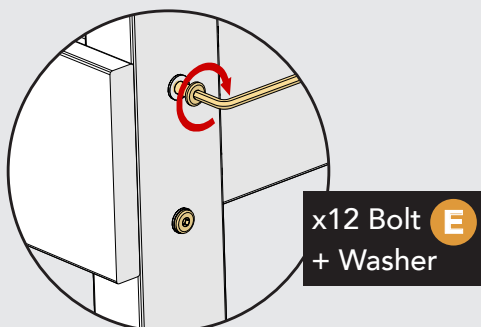
- 1** Position Side Rails inside Head Frame posts. Attach by placing bolt E through post hole & aligning with t-nut thread inside Side Rail. Finger tighten bolts.



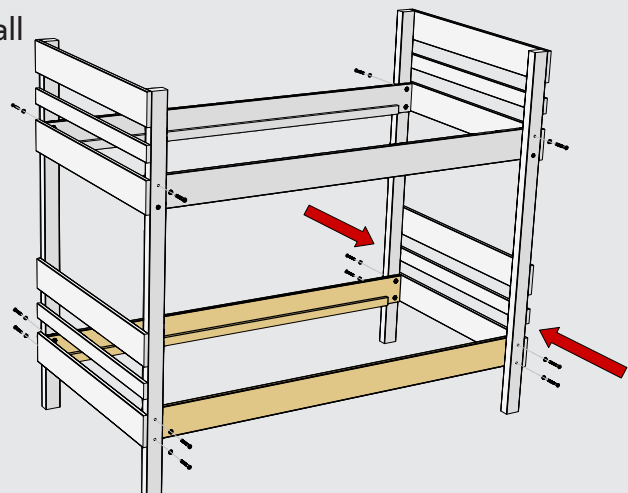
- 2** Attach Side Rails to Foot Frame.



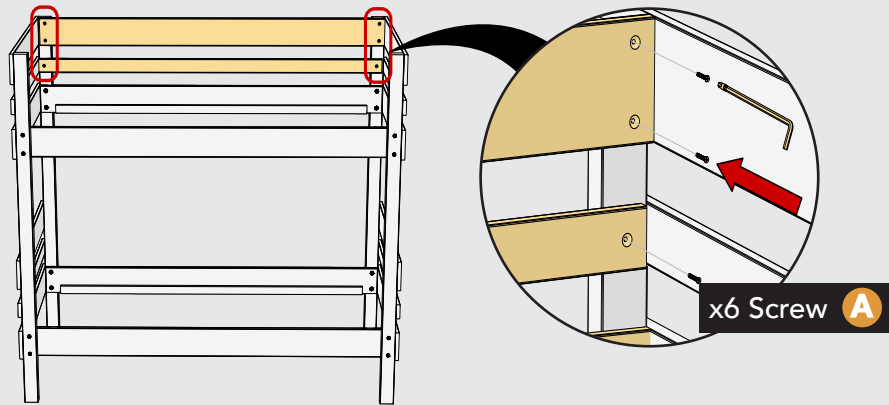
- 3** Attach the bottom Side Rails. Attach all remaining E fasteners.



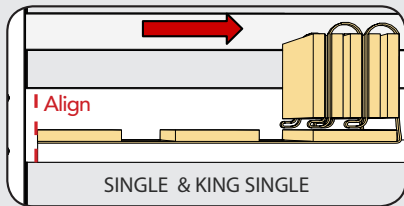
Then tighten all bolts with allen key.



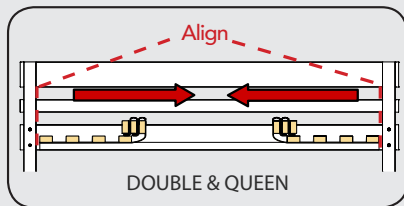
- 4** Place Long Safety Rail inside Frame Post, align with top of post & fasten. Centre Long Safety Spacer rail between Safety Rail & Side Rail then fasten



- 5** Place Slats onto Side Rails. Align with one end of side cleat & fasten through hole provided. Stretch to align other end of side cleat & secure remaining screws.



Place Slats onto Side Rails. Align with one end of side cleat & fasten through hole provided. Repeat opposite end with second slat. Stretch both to create middle gap between 50-95mm & secure.

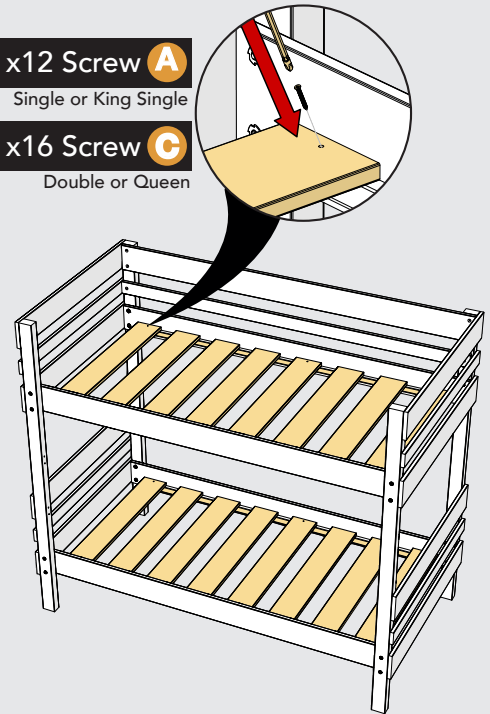


x12 Screw **A**

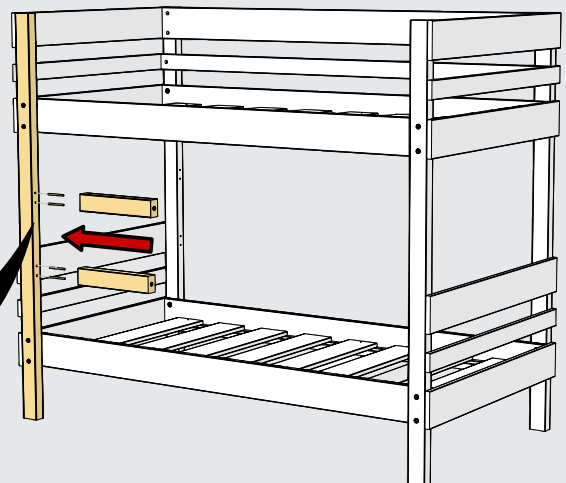
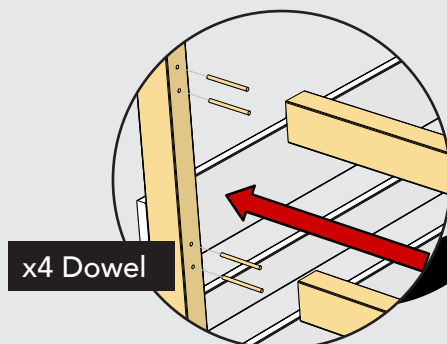
Single or King Single

x16 Screw **C**

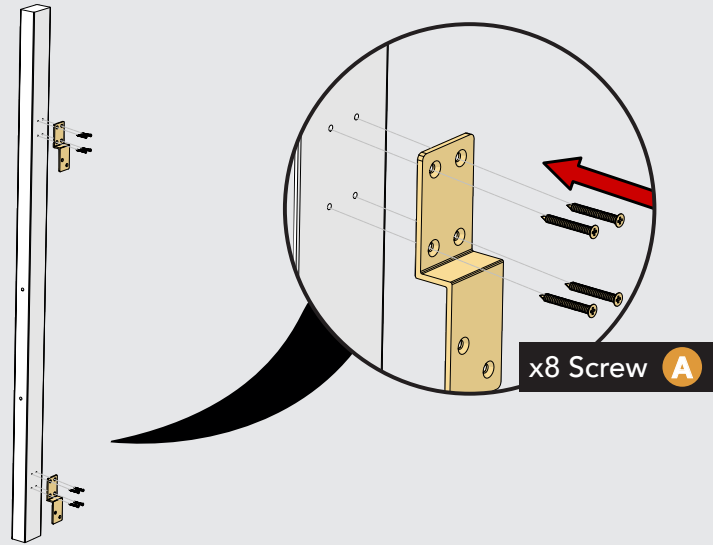
Double or Queen



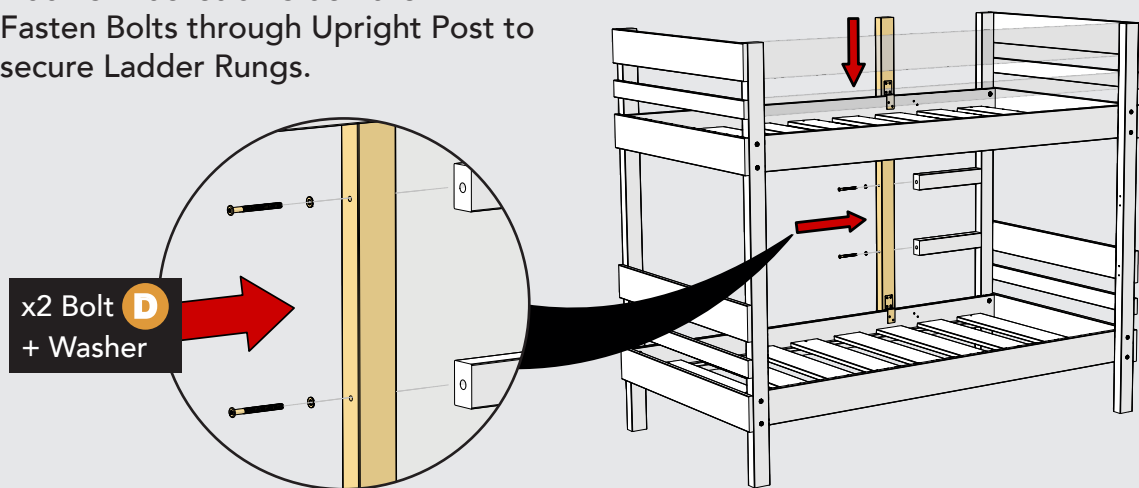
- 6** Insert dowels into frame. Tap in until fully inserted. Position Ladder Rungs onto dowels.



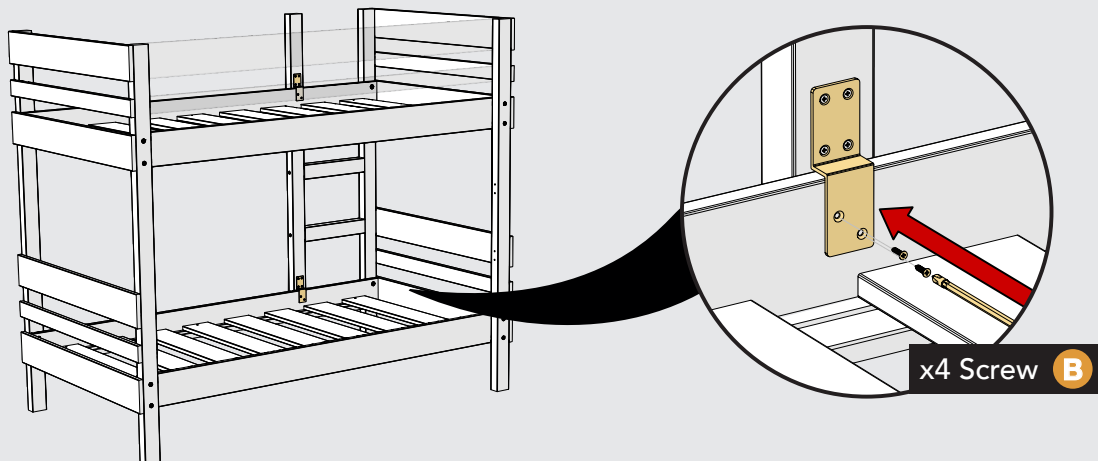
7 Attach the Brackets to Ladder Upright using guide holes.



8 Hook S-Bracket on Side Rails. Fasten Bolts through Upright Post to secure Ladder Rungs.

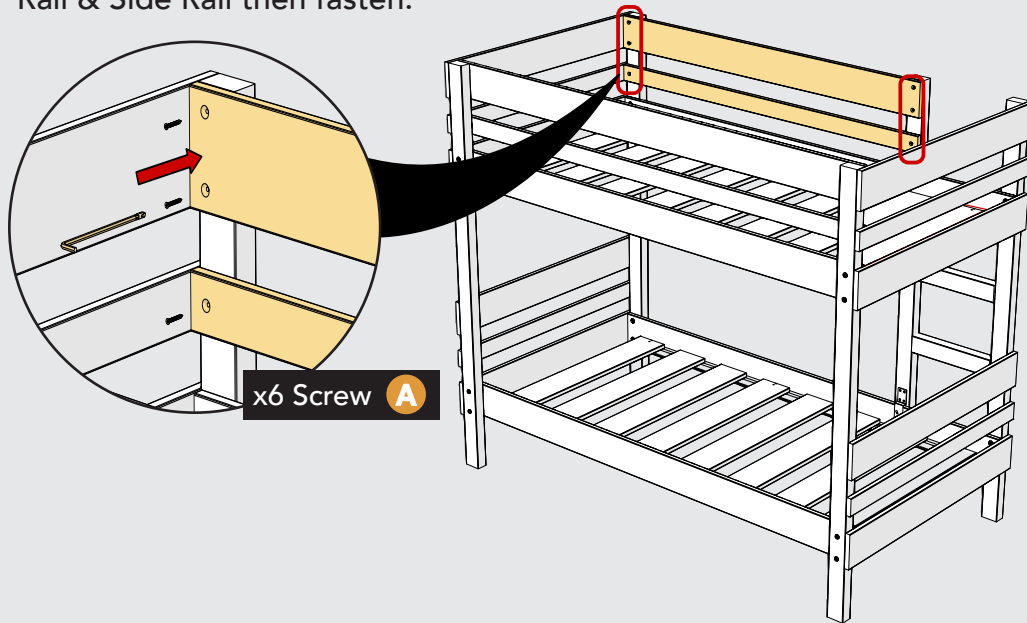


9 Secure Bracket to the side rails



10

Place Short Safety Rail inside Ladder Upright & Head Frame. Align with top of posts & fasten. Centre Short Safety Spacer Rail between Safety Rail & Side Rail then fasten.



11

The Important Stuff.

Tighten all bolts after one month of use.

All beds should be checked periodically to ensure fasteners are tight.

In rooms with ceiling fans care must be taken to ensure distance between closest point is at least 2m.

Children should be discouraged from playing on bunks.

Upper bunk not suitable for children under the age of six.

ENJOY!

