

Fixings

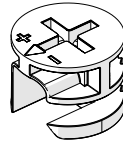
 *Not Included: 1 friend.
Like most things in life, assembling your Pedestal Shelf will be better with a friend!



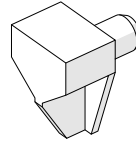
x8
PINS



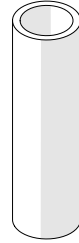
x4
DOWEL



x8
CAMS

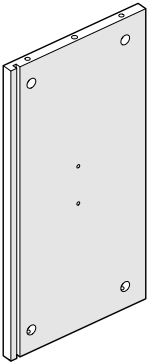


x4
SHELF PINS

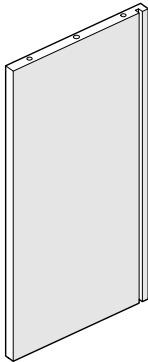


x1
MEASURING TUBE

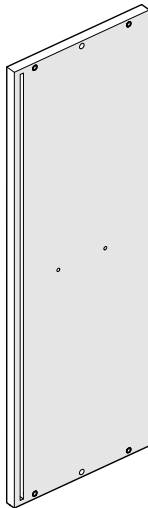
Parts List - Frame



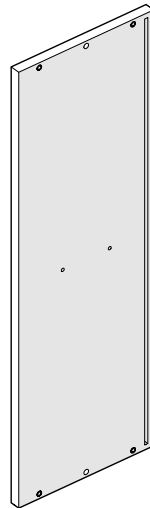
x1
TOP
PANEL



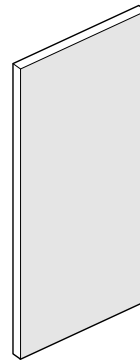
x1
BOTTOM
PANEL



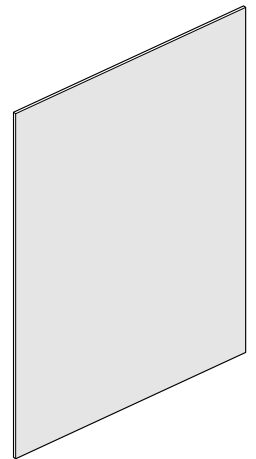
x1
RIGHT
WALL



x1
LEFT
WALL



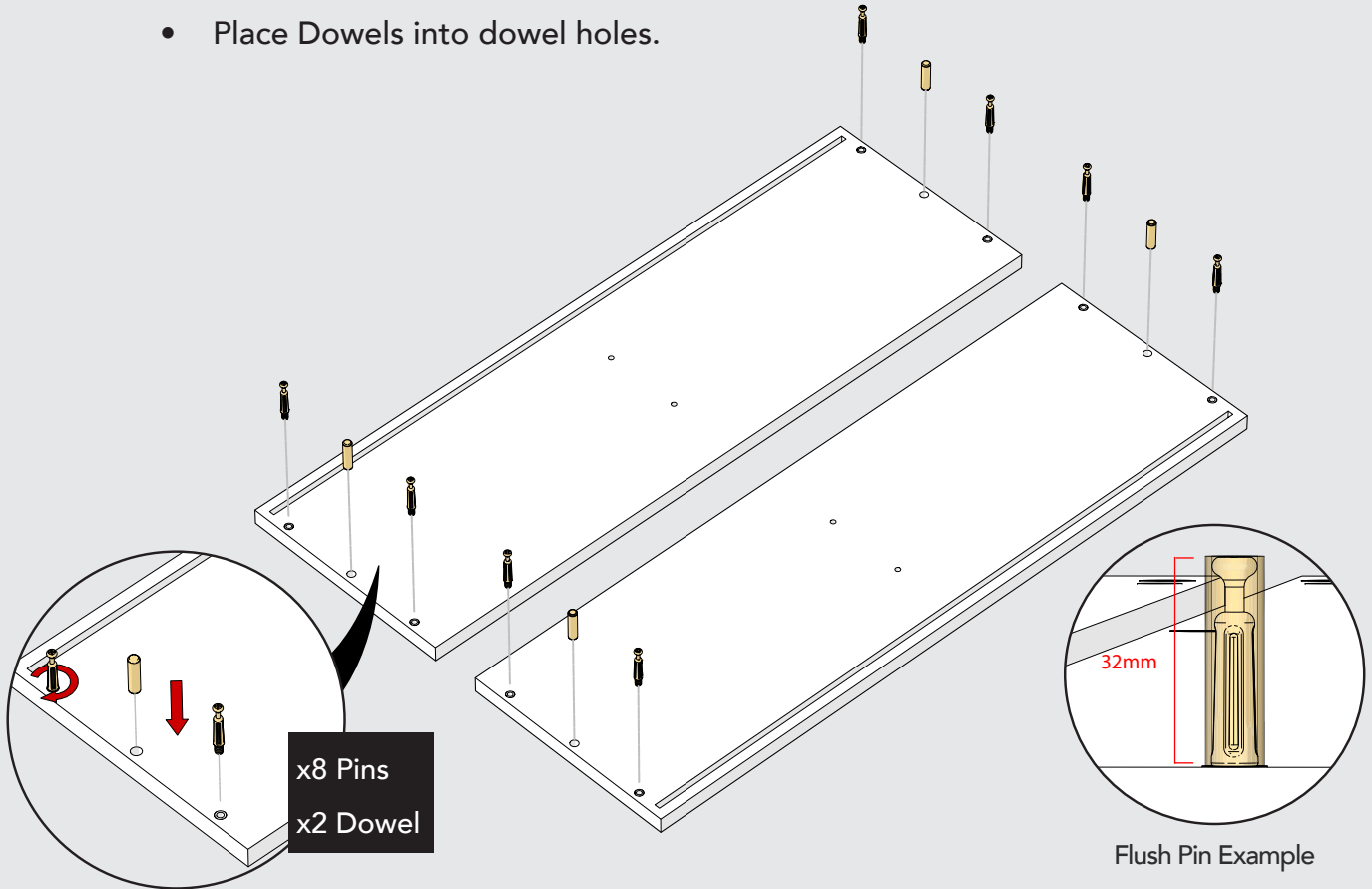
x1
SHELF



x1
BACK
PANEL

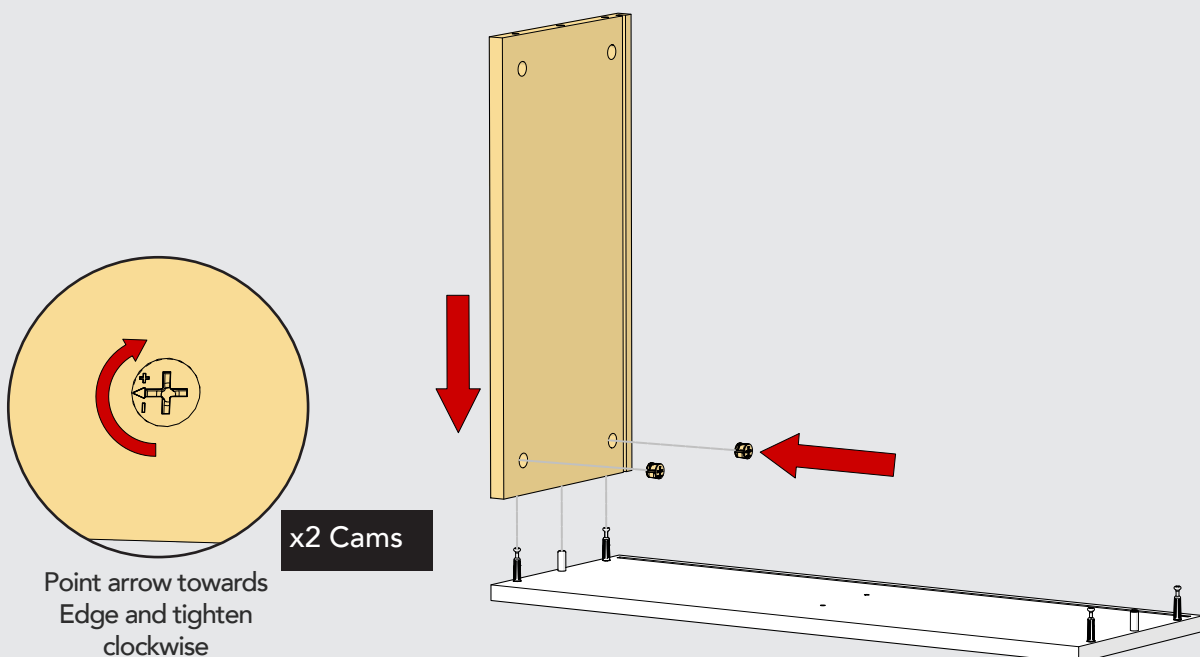
1

- Screw Pins into nylon inserts in each panel. Tighten until top of Pin is flush with 32mm Measuring Tube. Do not overtighten.
- Place Dowels into dowel holes.

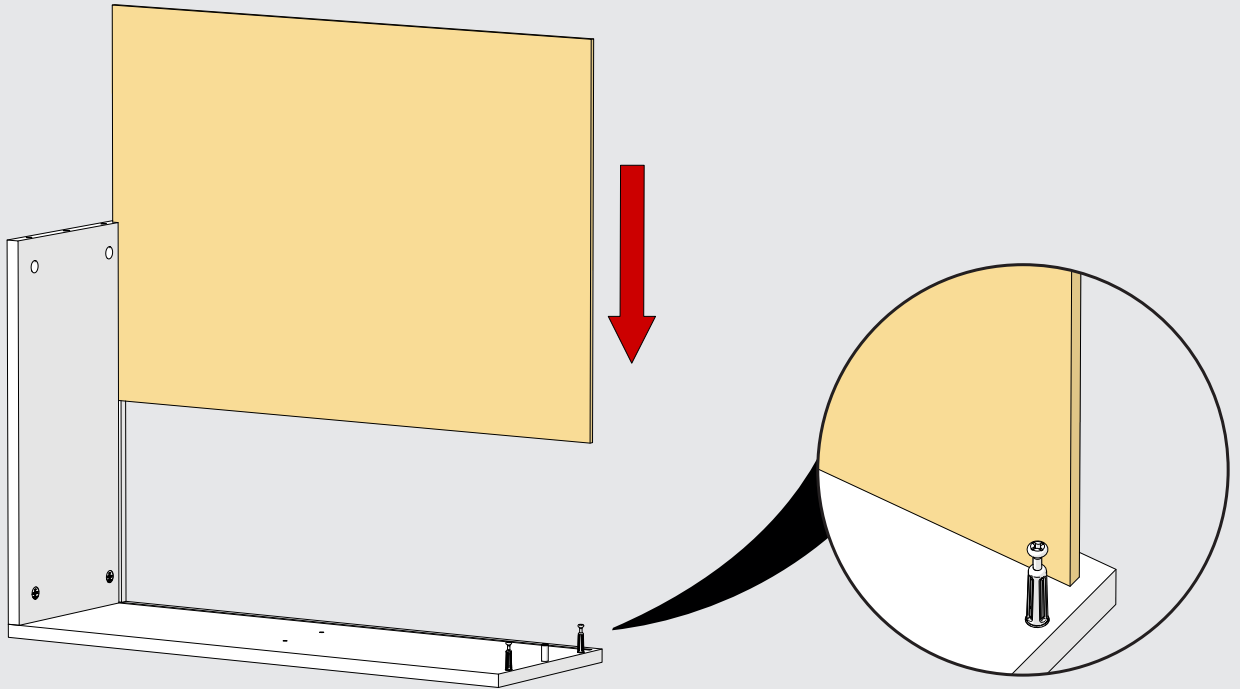


2

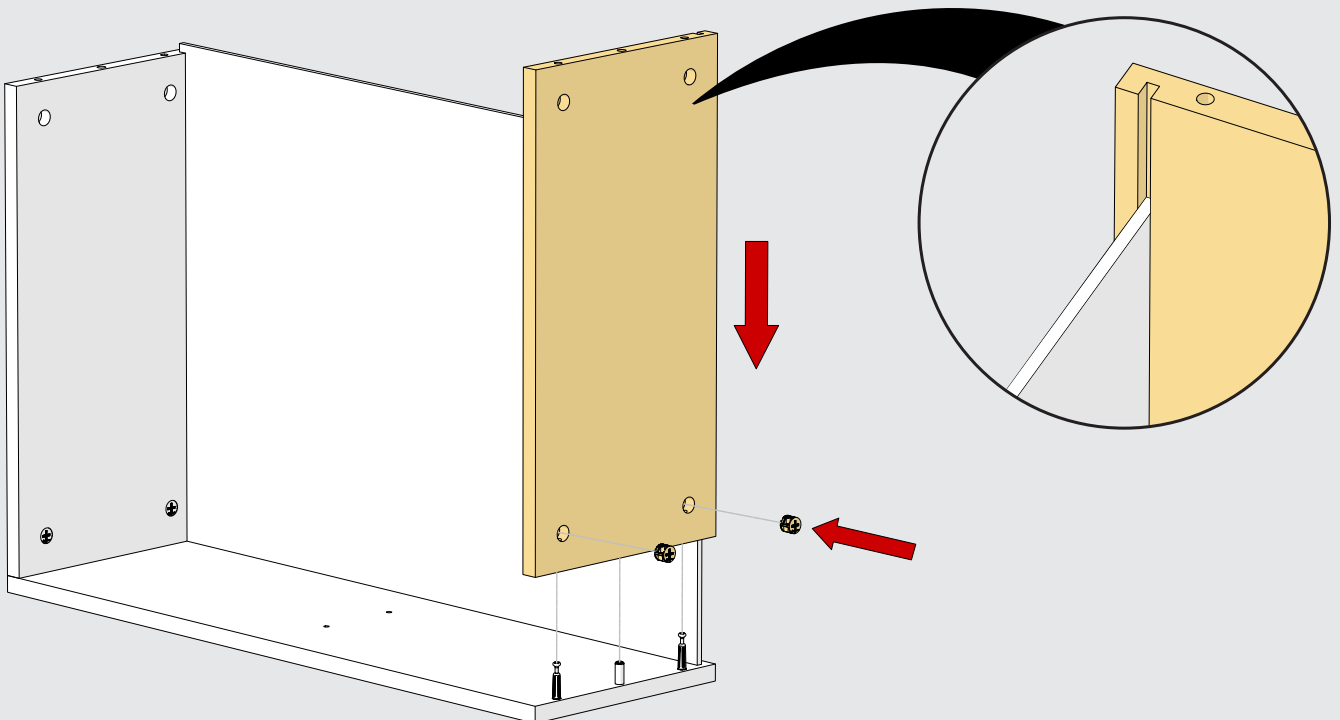
- Place Left Wall on ground then align and lower Top Panel onto the pins.
- Place Cams into holes and tighten.



- 3** Align Back Panel with the channel in the Left Wall and Top, then lower.

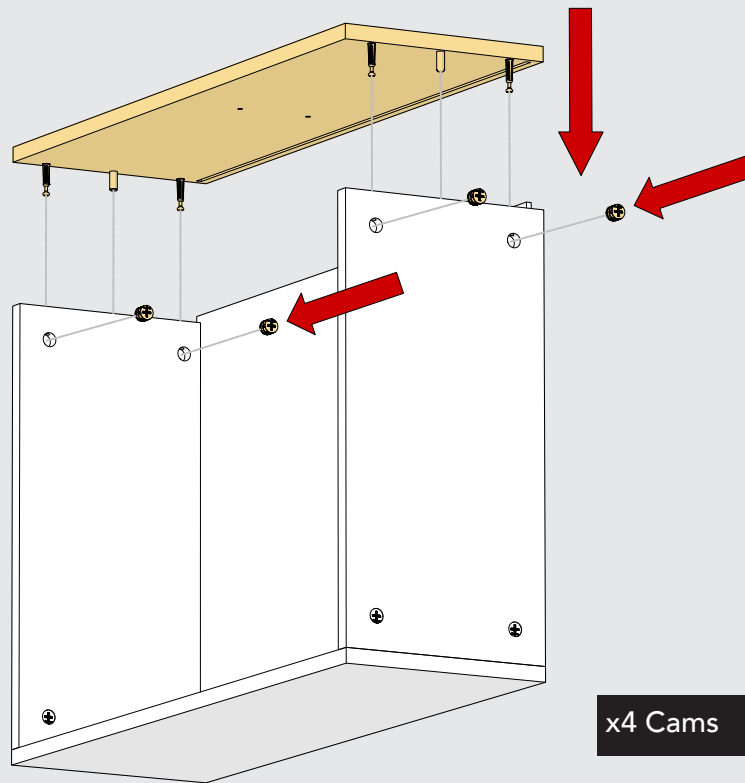


- 4**
- Align Bottom Panel with Pins, Dowels and the Back Panel, then lower.
 - Place Cams into holes and tighten.



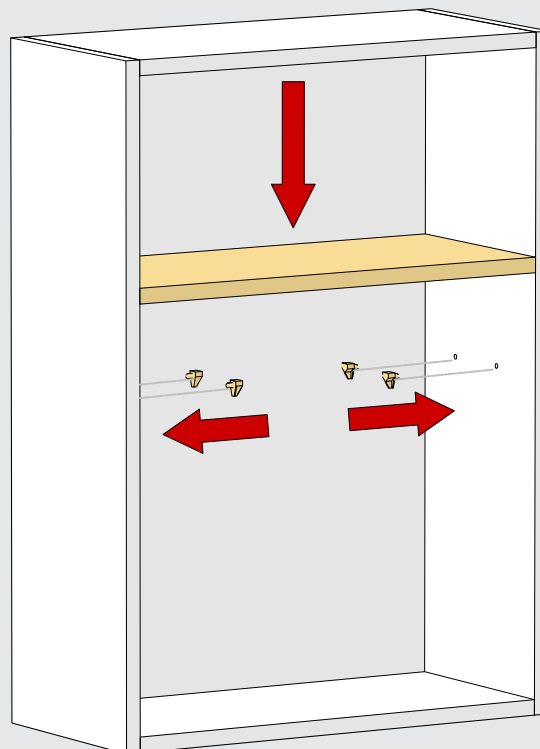
5

- Align Right Wall with pilot holes and the Back Panel, then lower.
- Place Cams into holes and tighten.



6

- Insert Shelf Pins into holes.
- Place Shelf on top.



7

Standard unit fully assembled.

