


### Fixings

 \*Not Included: 1 friend.  
Like most things in life, assembling your Drawers will be better with a friend!



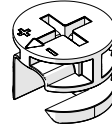
**PINS**

*LoLine - x27*  
*MidLine - x31*



**DOWEL**

*LoLine - x10*  
*MidLine - x10*



**CAMS**

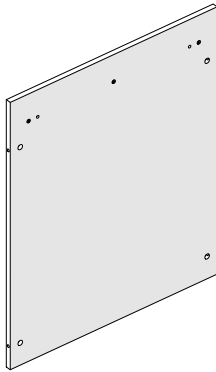
*LoLine - x27*  
*MidLine - x31*



**MEASURING TUBE**

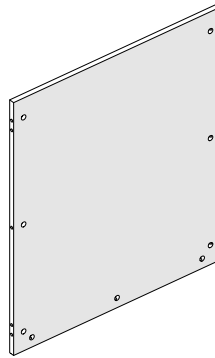
*LoLine - x1*  
*MidLine - x1*

### Parts List - Frame



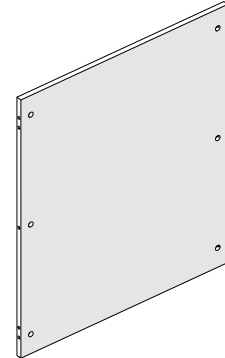
**BACK PANEL**

*LoLine - x1*  
*MidLine - x1*



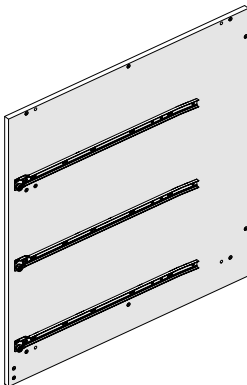
**BOTTOM PANEL**

*LoLine - x1*  
*MidLine - x1*



**TOP PANEL**

*LoLine - x1*  
*MidLine - x1*



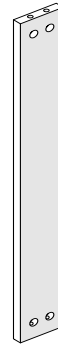
**LEFT WALL**

*LoLine - x1*  
*MidLine - x1*



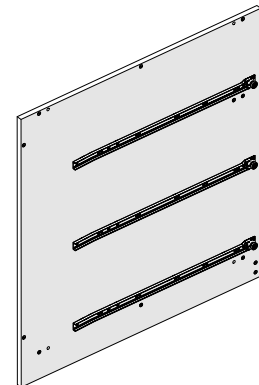
**KICK PANEL**

*LoLine - x1*  
*MidLine - x1*



**BRACE**

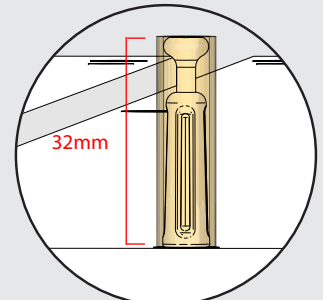
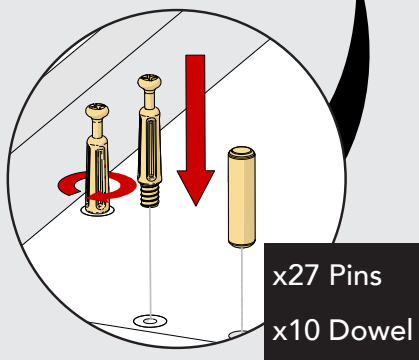
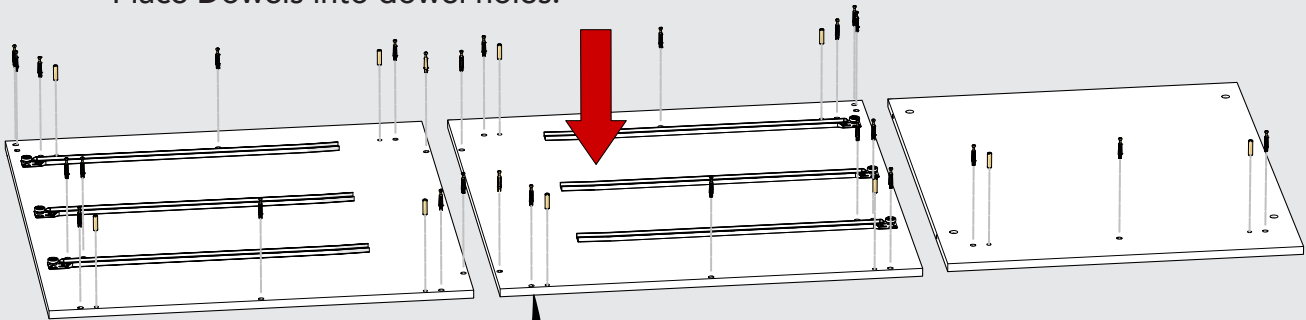
*LoLine - x1*  
*MidLine - x2*



**RIGHT WALL**

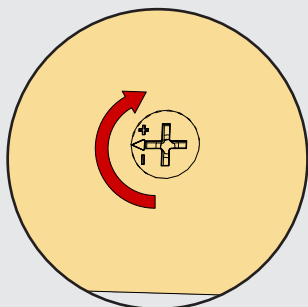
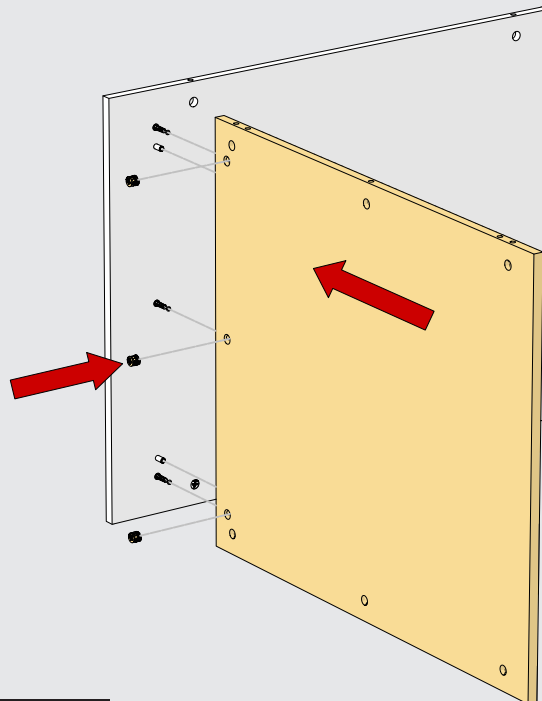
*LoLine - x1*  
*MidLine - x1*

- 1**
- Screw Pins into nylon inserts in each panel. Tighten until top of Pin is flush with 32mm Measuring Tube. Do not overtighten.
  - Place Dowels into dowel holes.



Flush Pin Example

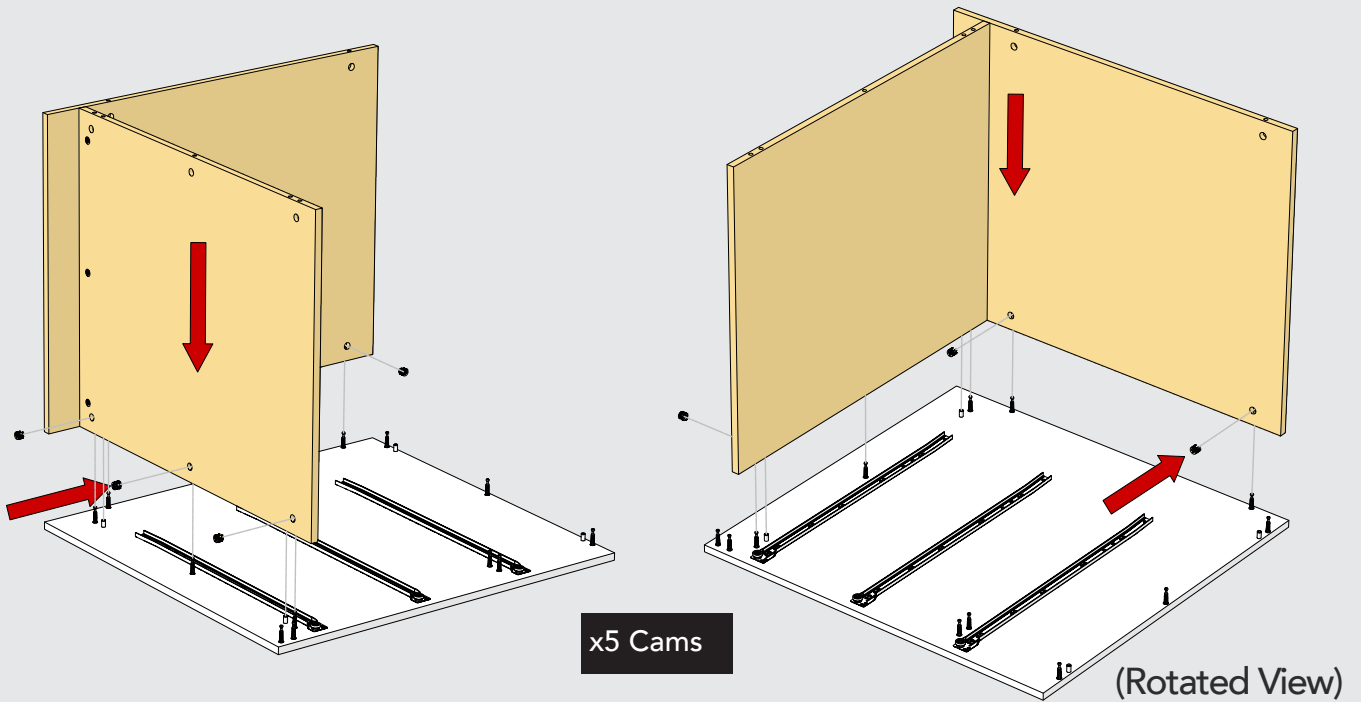
- 2**
- Stand Bottom and Back panels upright and align pins into the holes on the bottom panel. Place Cams into holes and tighten.



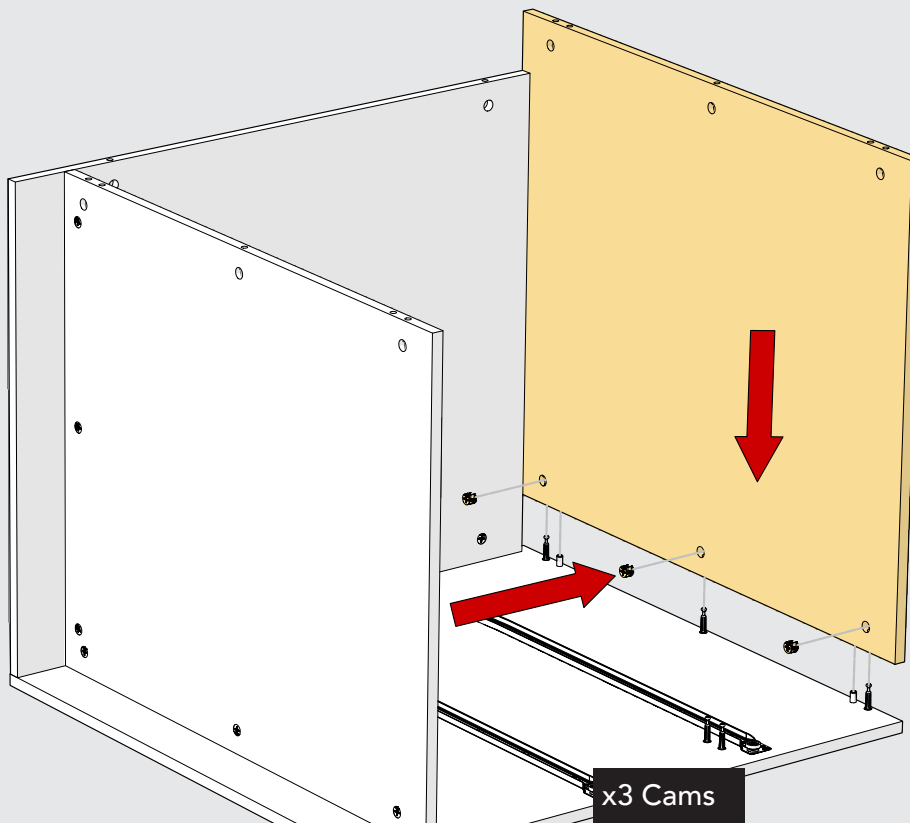
Point arrow towards  
Edge and tighten  
clockwise

x3 Cams

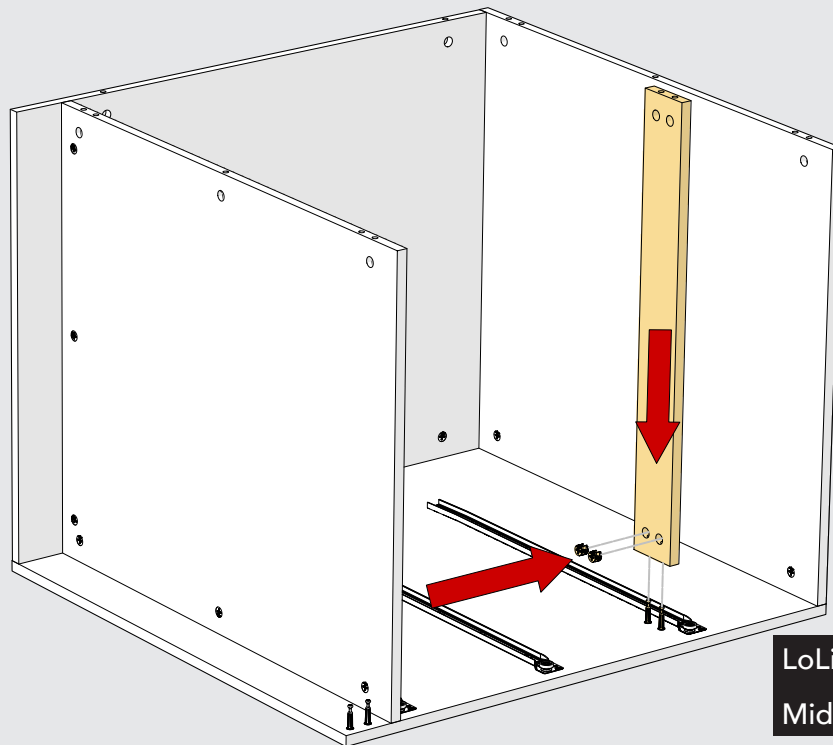
- 3** Place Right Wall on ground then align and lower Back and Bottom pieces. Place Cams into holes and tighten.



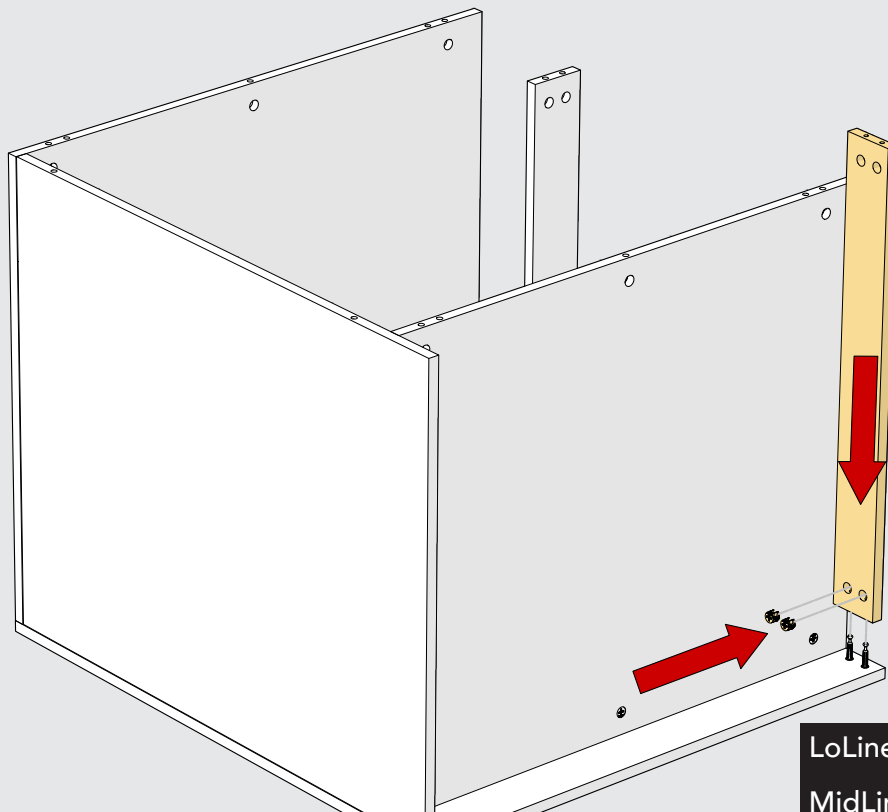
- 4** Align Top over Pins and Dowels then lower. Place Cams into holes and tighten.



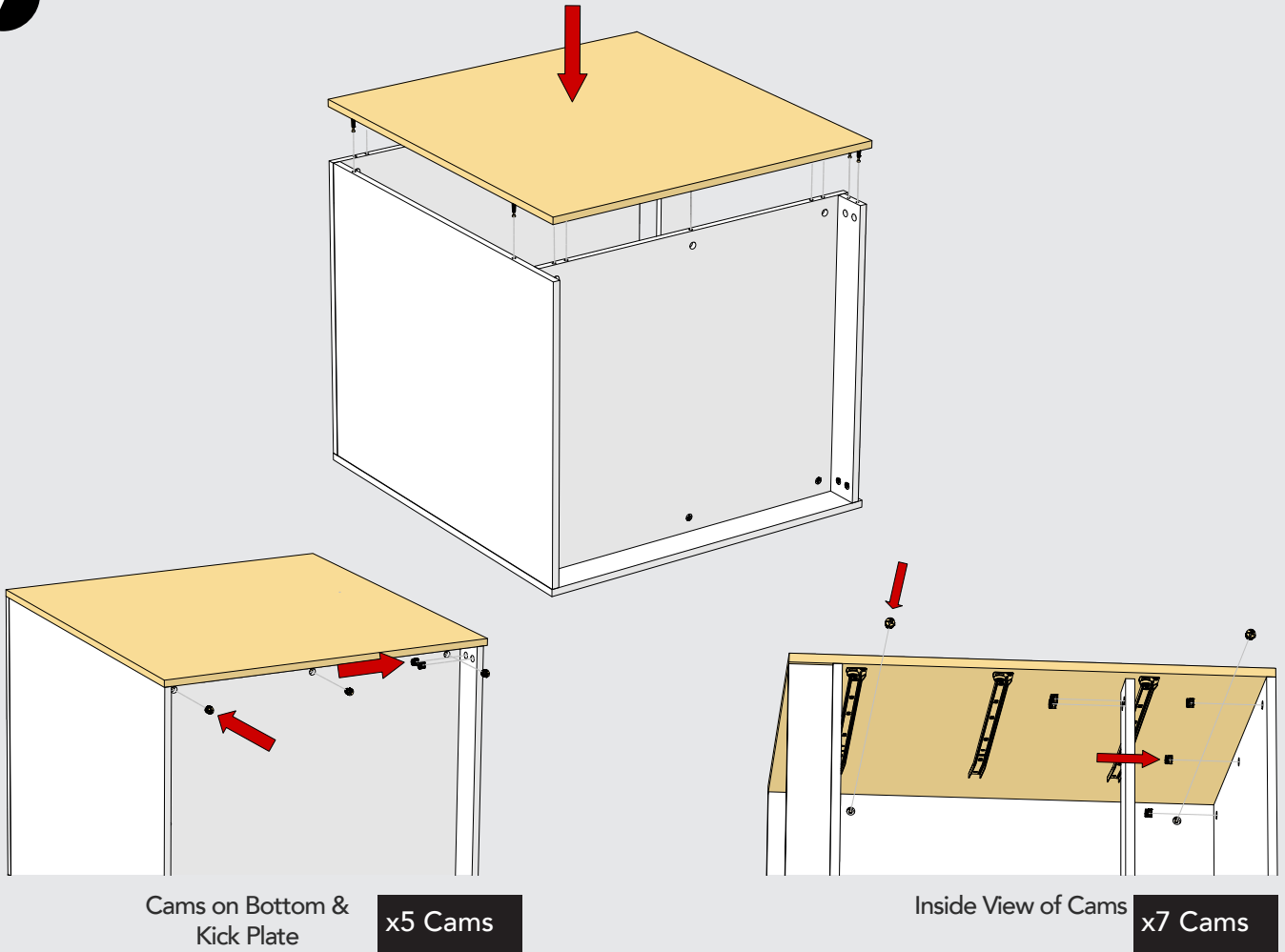
- 5** Align the Braces with the Pins in the middle of the Right Wall. Lower then insert and tighten Cams.



- 6** Align the Kick Plates with the Pins on the bottom of Right Wall. Lower then insert and tighten Cams.

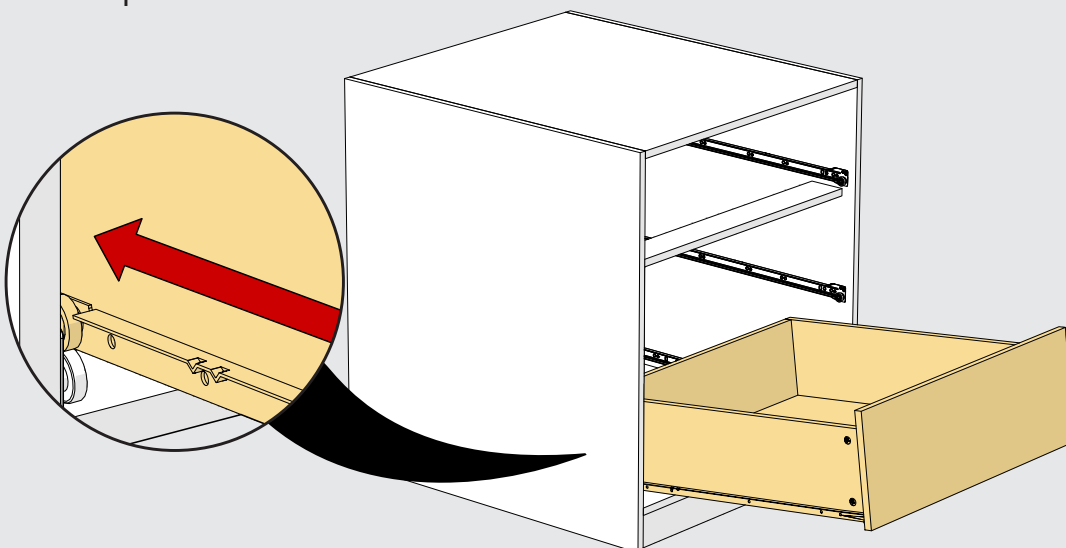


- 7** Align Left Wall with the holes on top faces and lower then tighten Cams.



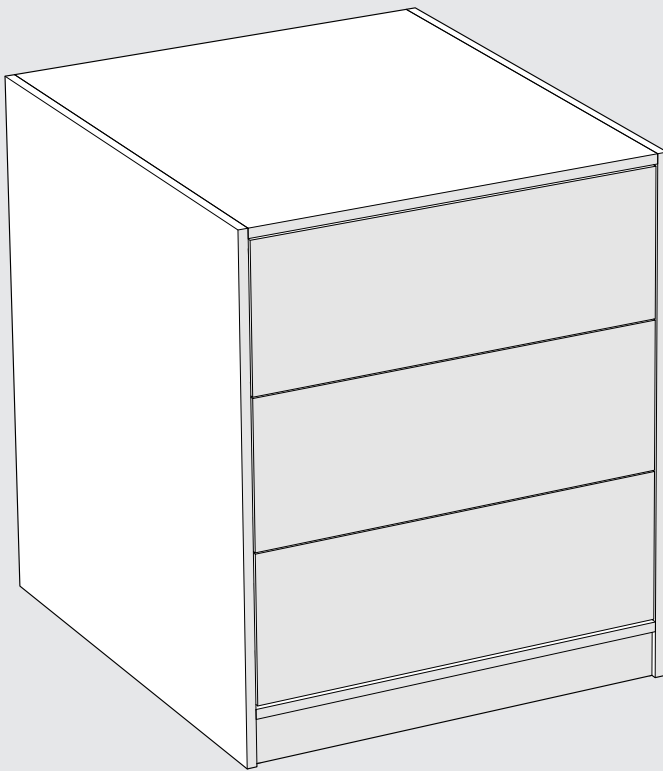
- 8** Refer to the Drawers Manual to assemble 3 the three Drawers.

Then Position the drawer on an angle in one of the cavities with the rail wheels resting ontop of each other. Gently push the drawer forward. Repeat this two more times.

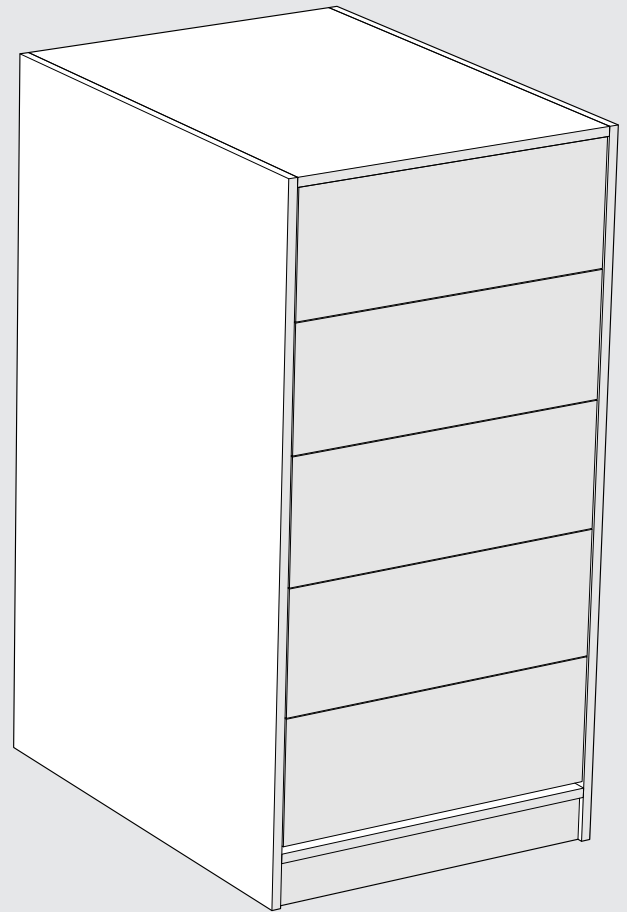


9

Standard Unit fully assembled.



Loline Drawers



Midline Drawers