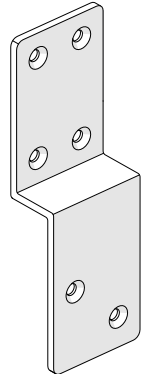
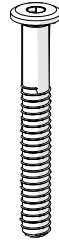
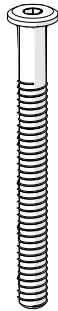
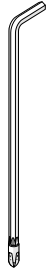


### Fixings



\*Not Included: 1 friend.

Like most things in life, assembling your bunk will be better with a friend!



**x1**  
ALLEN KEY  
& DRIVER

**x40**  
SCREW

**x8**  
SCREW

**x2**  
90mm  
BOLT

**x16**  
64mm  
BOLT

**x16**  
WASHER

**x4**  
DOWEL

**x4**  
BRACKET

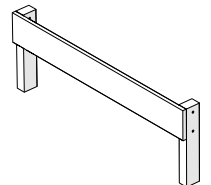
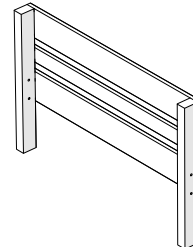
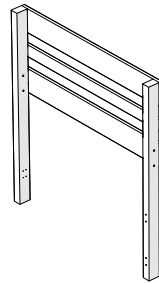
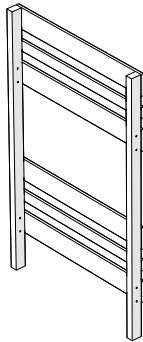
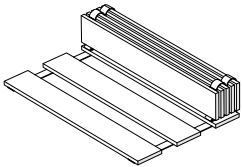
**A**

**B**

**C**

**D**

### Parts List



**x2**  
SLATS

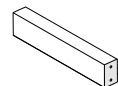
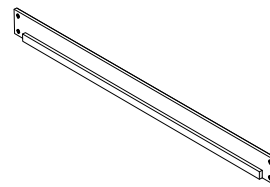
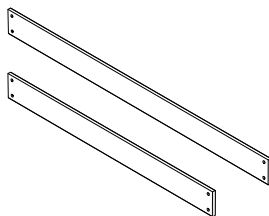
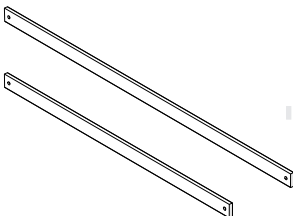
**x1**  
LADDER  
UPRIGHT

**x1**  
HEAD FRAME  
Appearance may differ per model

**x1**  
FOOT FRAME

**x1**  
LOWER HEAD  
FRAME

**x1**  
LOWER FOOT  
FRAME



**1 + 1**  
SAFETY SPACER

Single or Double  
1920mm + 1495mm

King Single or Queen  
1630mm + 2060mm

**1 + 1**  
SAFETY RAIL

Single or Double  
1920mm + 1495mm

King Single or Queen  
1630mm + 2060mm

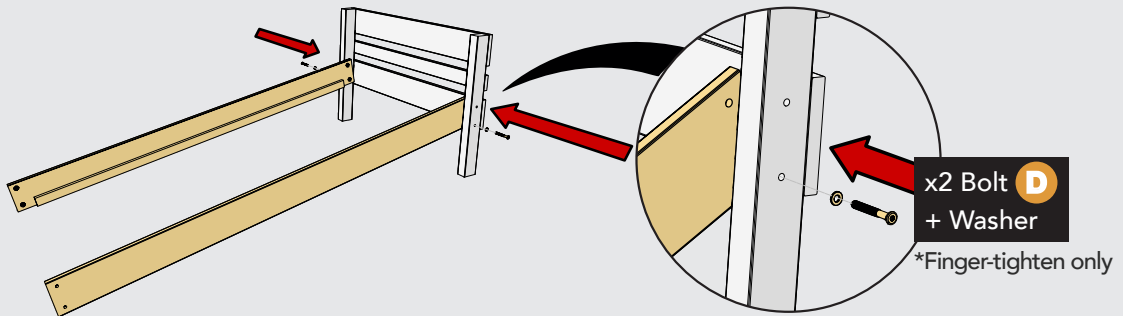
**x4**  
SIDE RAIL

Single or Double  
1920mm

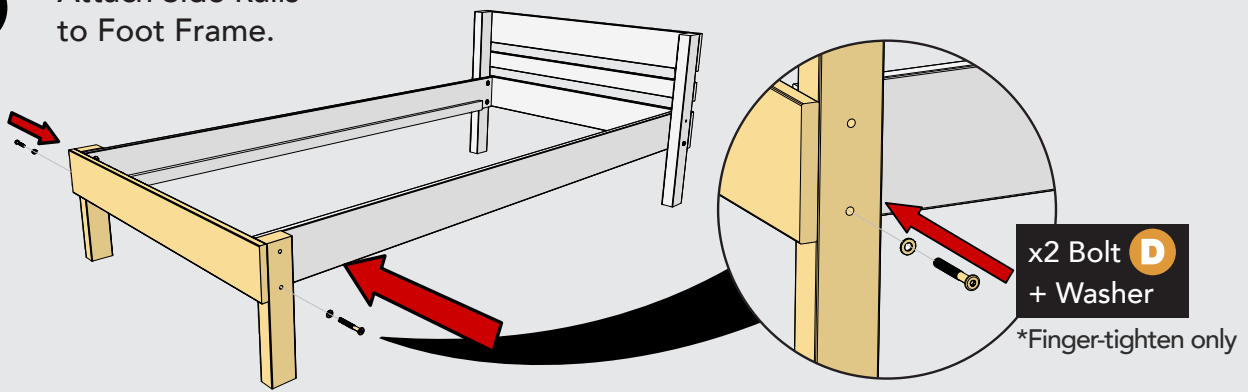
King Single or Queen  
2060mm

**x2**  
LADDER RUNG

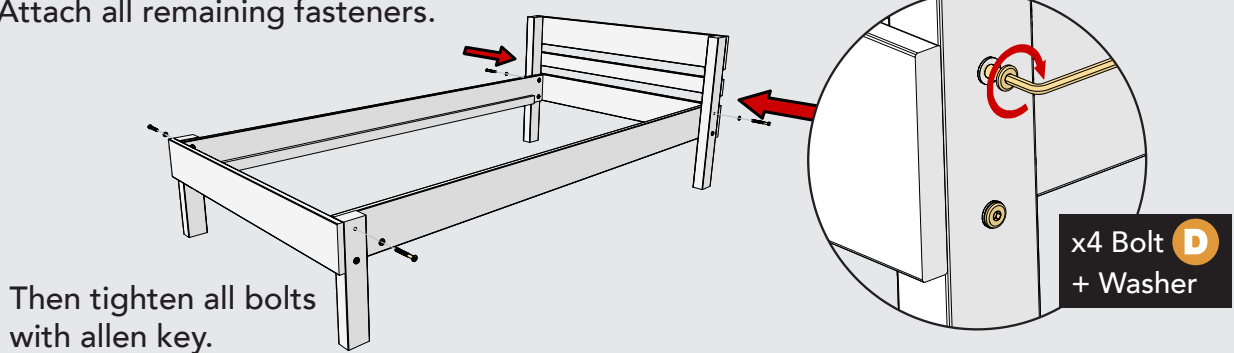
- 1** Position Side Rails inside Head Frame posts. Attach by placing bolt D through post hole & aligning with t-nut thread inside Side Rail. Finger tighten bolts.



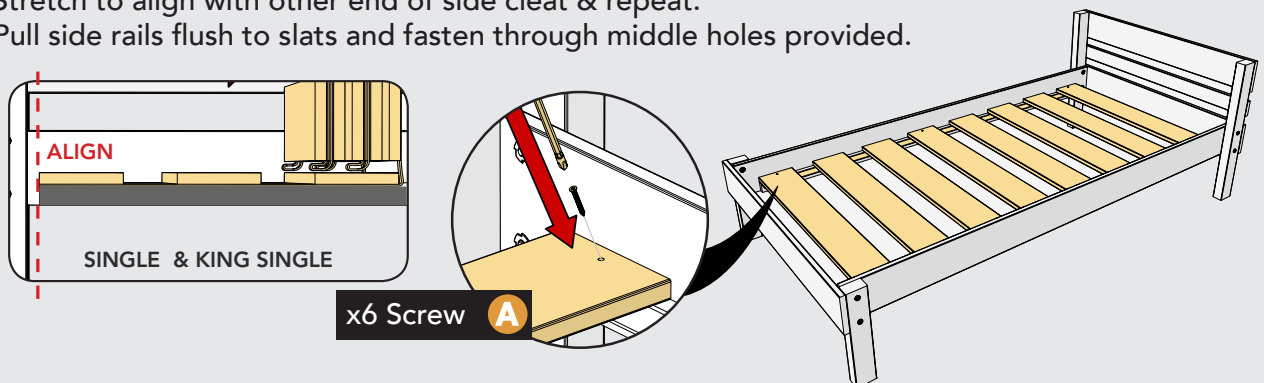
- 2** Attach Side Rails to Foot Frame.



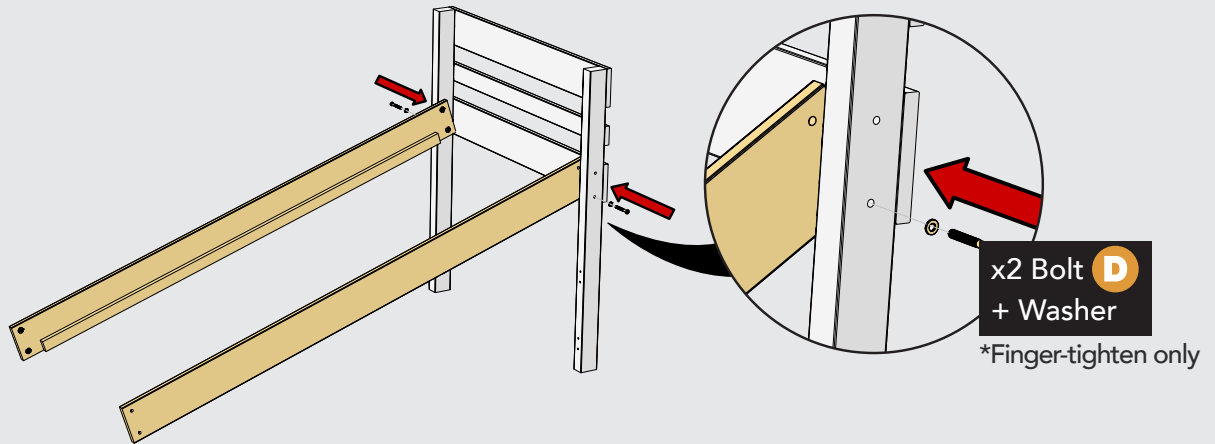
- 3** Attach the bottom Side Rails. Attach all remaining fasteners.



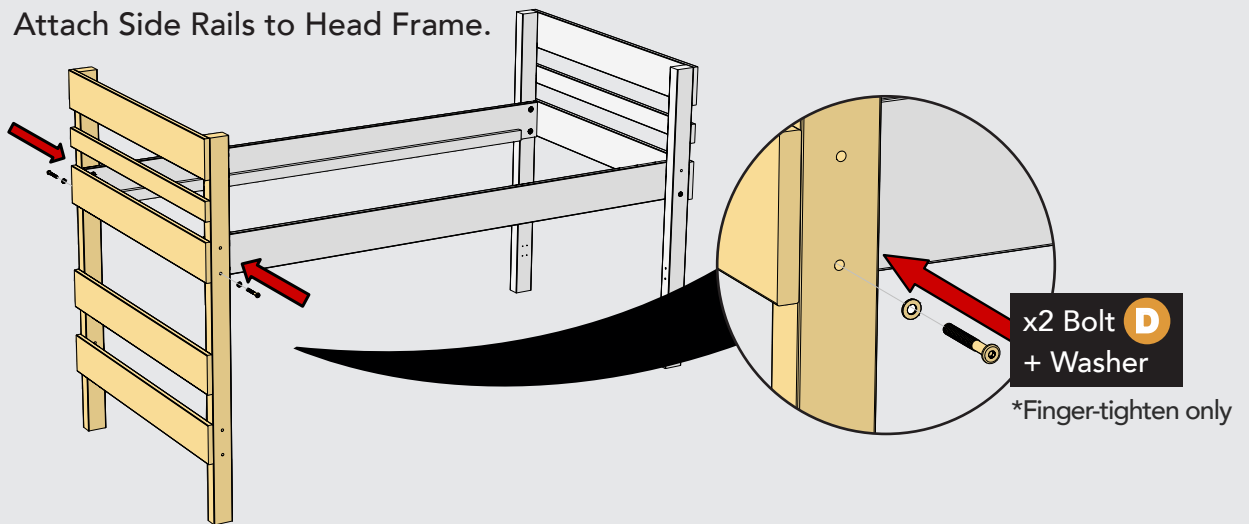
- 4** Place Slats onto Side Rails. Align with one end of side cleat & fasten through hole provided. Stretch to align with other end of side cleat & repeat. Pull side rails flush to slats and fasten through middle holes provided.



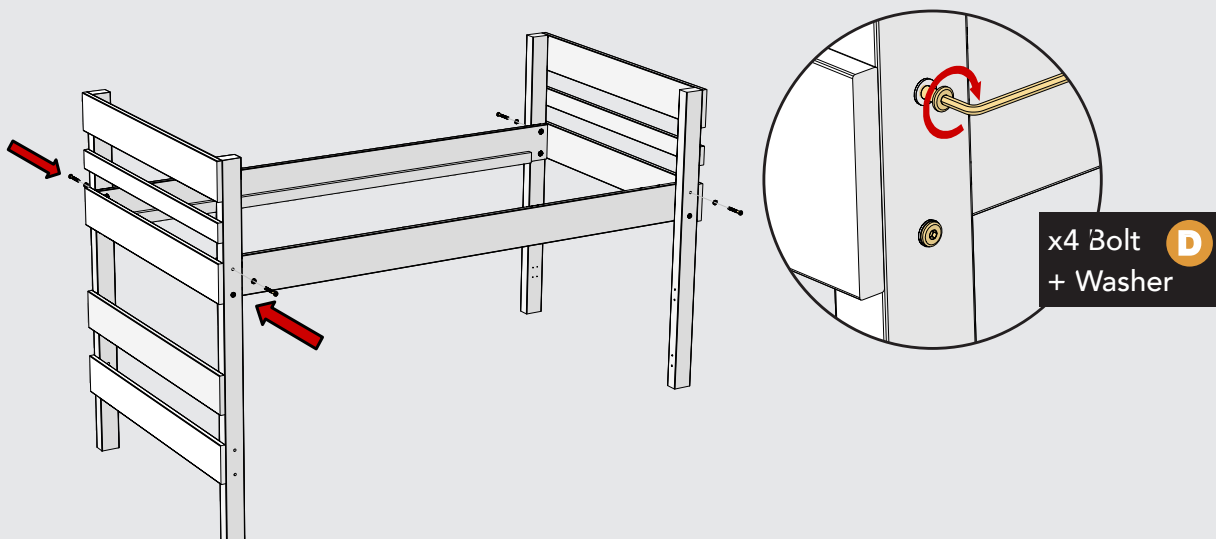
- 5** Position Side Rails inside Foot Frame posts. Attach by placing bolt D through post hole & aligning with t-nut thread inside Side Rail. Finger tighten bolts.



- 6** Attach Side Rails to Head Frame.

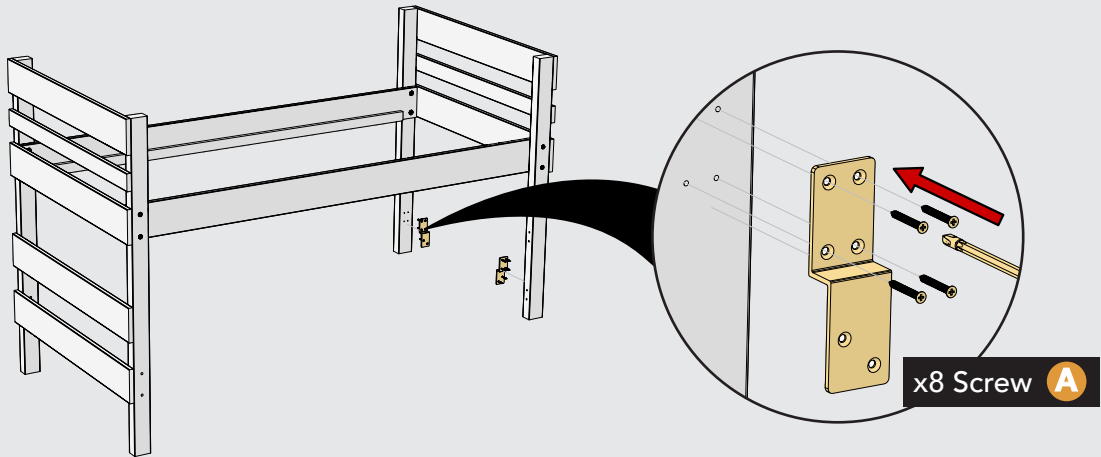


- 7** Attach all remaining **D** fasteners.

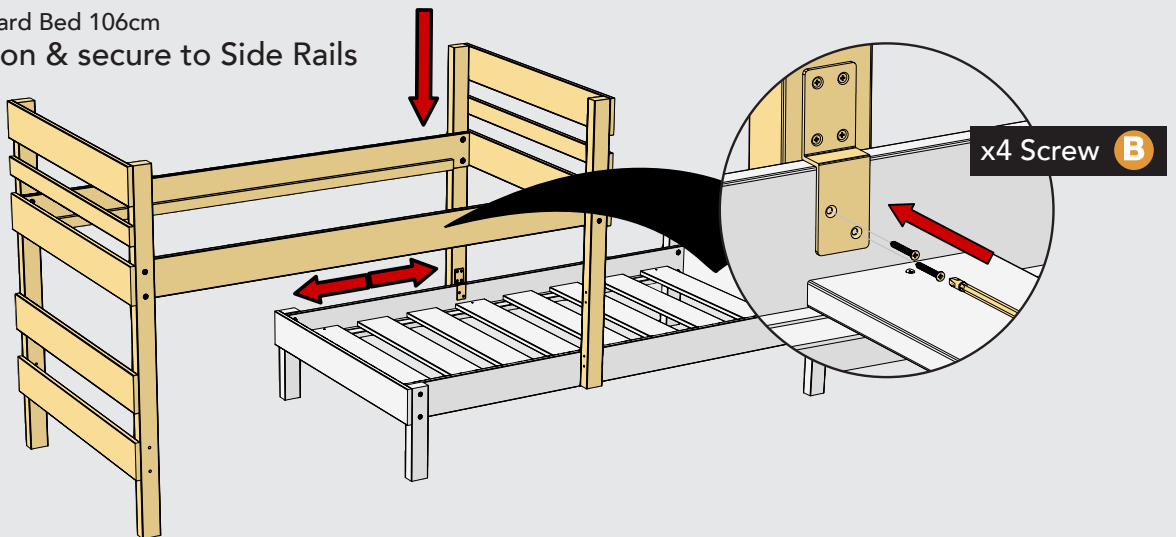


Then tighten all bolts with allen key.

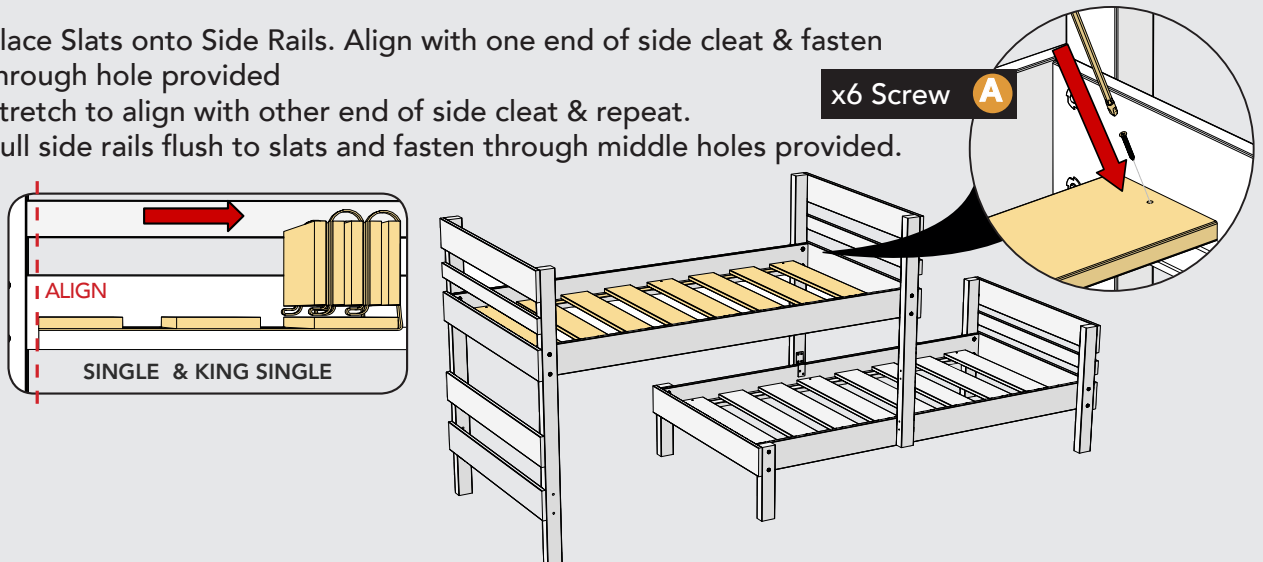
**8** Attach the Brackets to Smaller End Frame using guide holes.



**9** Hook Top Bunk frame onto Side Rails of bottom bunk.  
 Allow space for;  
 •MidLine Chest 61cm  
 •LoLine Chest 72cm  
 •Standard Bed 106cm  
 Position & secure to Side Rails

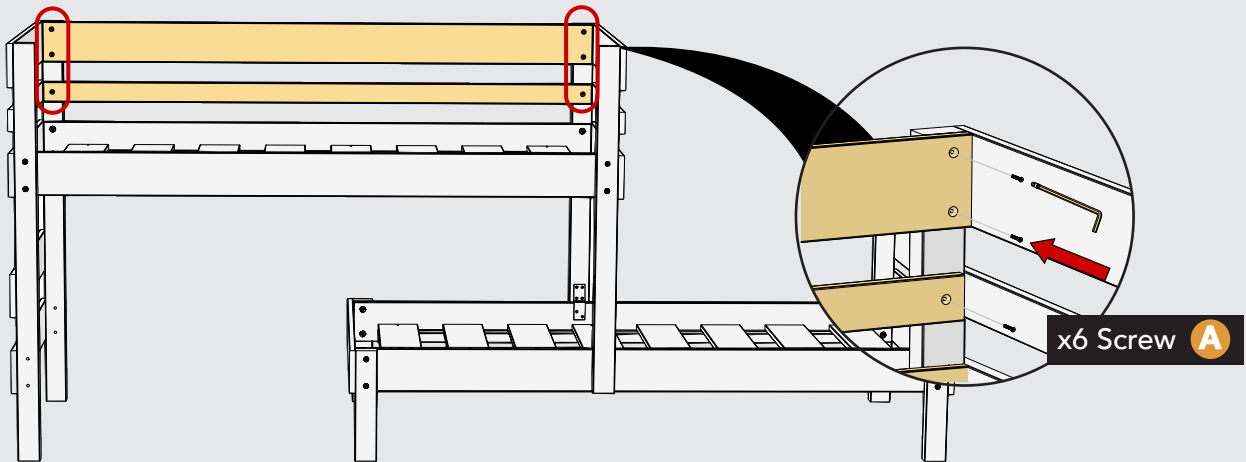


**10** Place Slats onto Side Rails. Align with one end of side cleat & fasten through hole provided  
 Stretch to align with other end of side cleat & repeat.  
 Pull side rails flush to slats and fasten through middle holes provided.



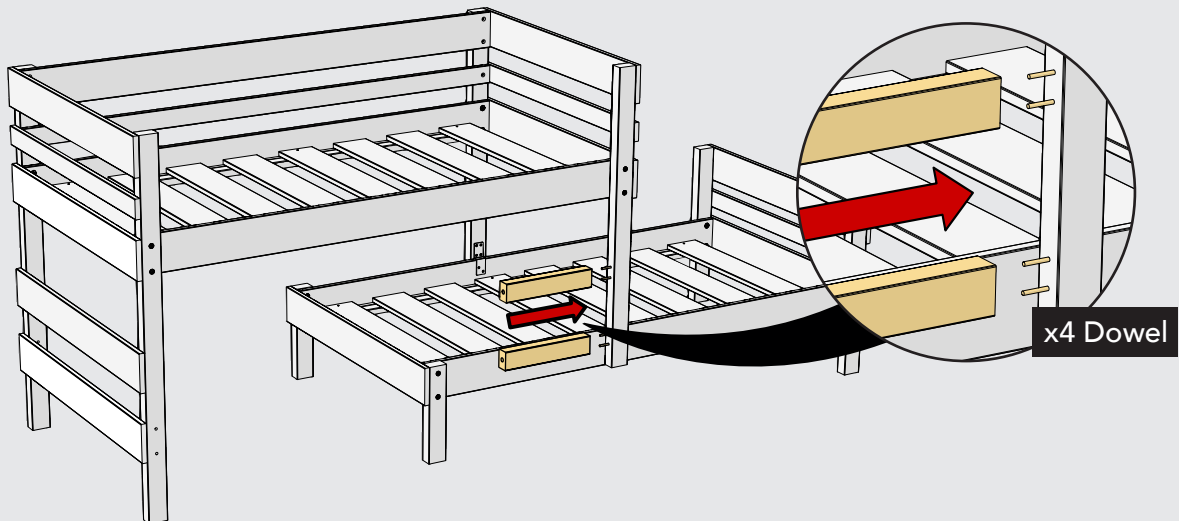
11

Place Long Safety Rail inside top Frame Post, align with top of post & fasten. Centre Long Safety Spacer rail between Safety Rail & Side Rail then fasten.



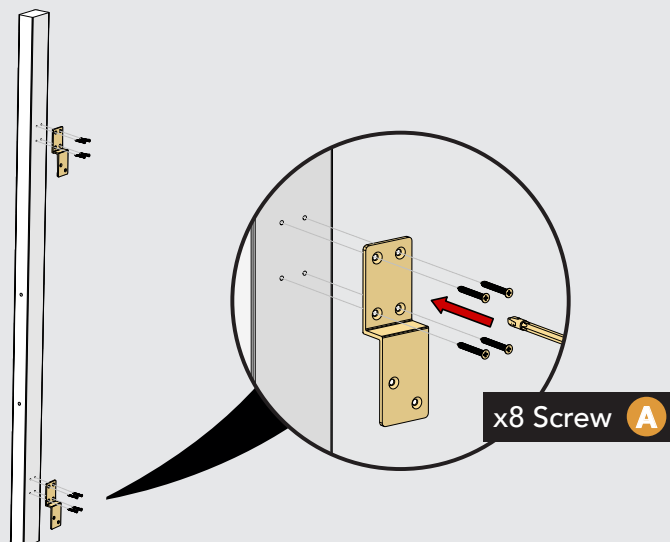
12

Insert dowels into frame. Tap in until fully inserted. Position Ladder Rungs onto dowels.

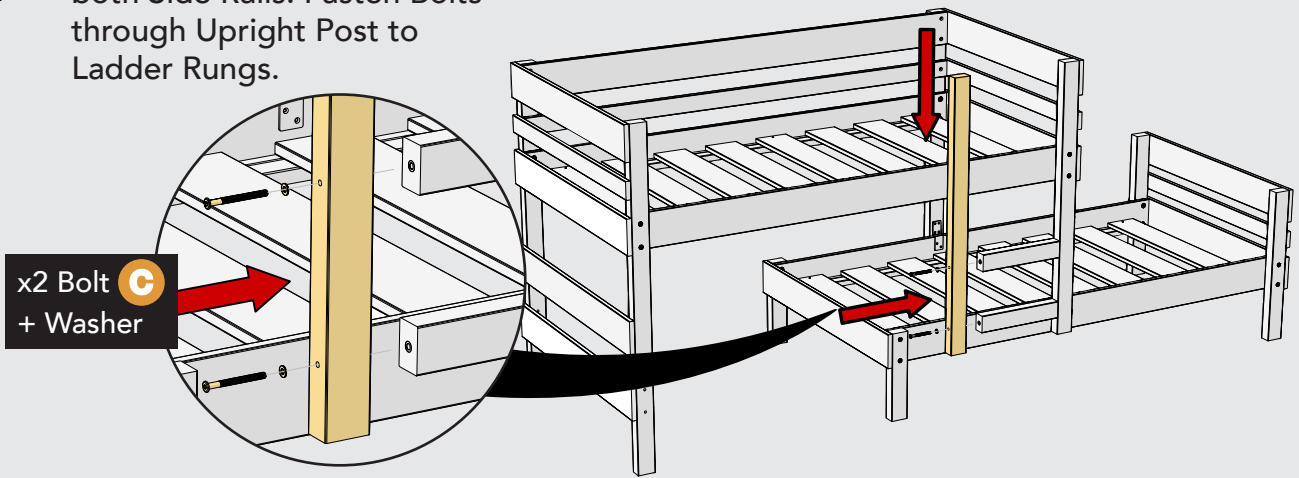


13

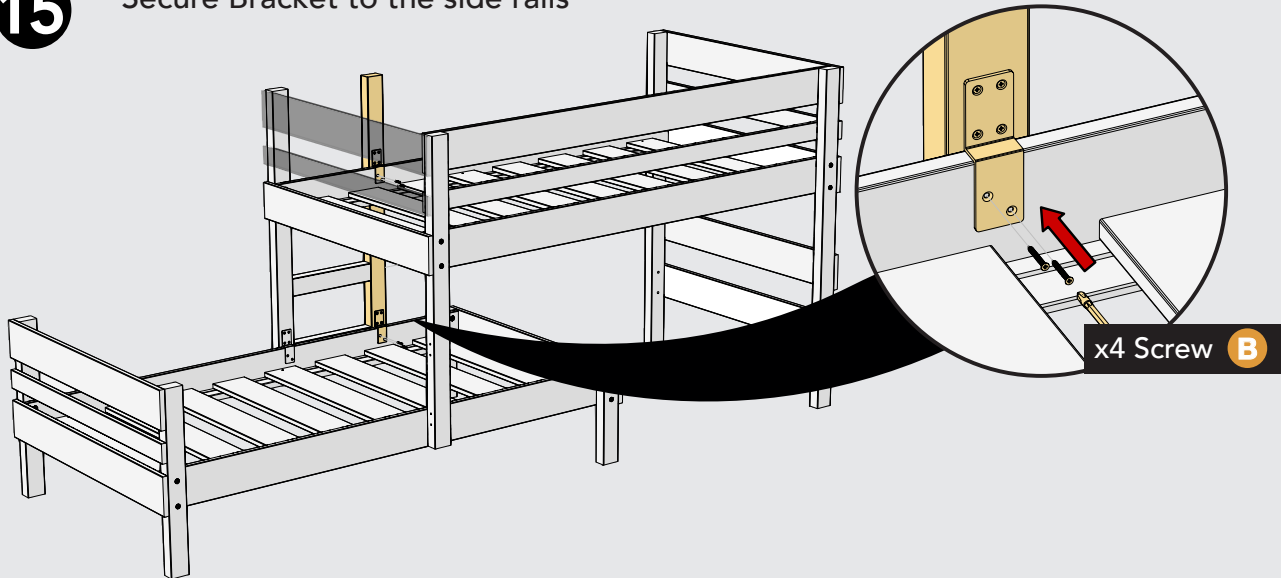
Attach the Brackets to Ladder Upright using guide holes.



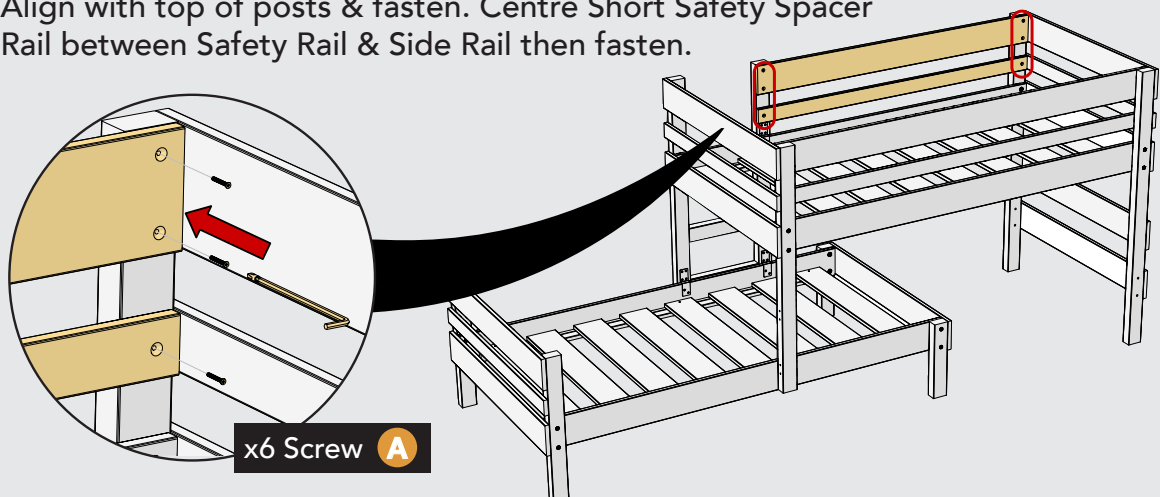
- 14** Hook Ladder Upright onto both Side Rails. Fasten Bolts through Upright Post to Ladder Rungs.



- 15** Secure Bracket to the side rails



- 16** Place Short Safety Rail inside Ladder Upright & Head Frame. Align with top of posts & fasten. Centre Short Safety Spacer Rail between Safety Rail & Side Rail then fasten.



## **17** The Important Stuff.

Tighten all bolts after one month of use.

All beds should be checked periodically to ensure fasteners are tight.

In rooms with ceiling fans care must be taken to ensure distance between closest point is at least 2m.

Children should be discouraged from playing on bunks.

Upper bunk not suitable for children under the age of six.

ENJOY!

