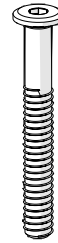
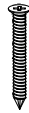


Fixings



*Not Included: 1 friend.

Like most things in life, assembling your bunk will be better with a friend!



x1
ALLEN KEY
& DRIVER

x18
Single & King Single
x12
Double & Queen
SCREW

A

x8
Double & Queen
SCREW

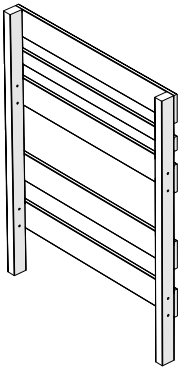
B

x14
64mm
BOLT

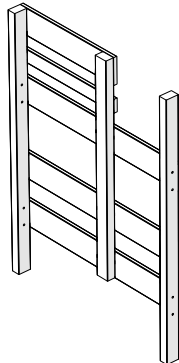
C

x14
WASHER

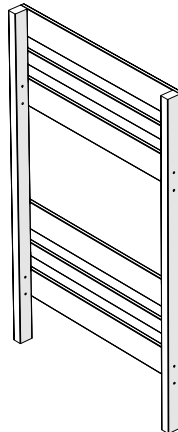
Parts List



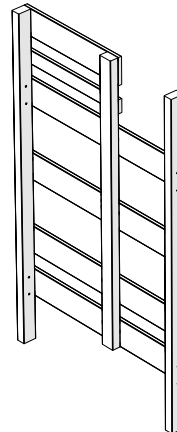
x1
LOLINE HEAD
FRAME
LoLine Only
1350mm



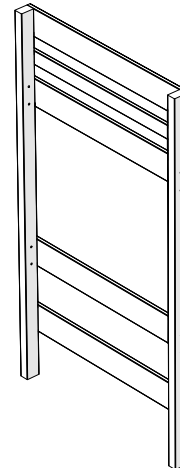
x1
LOLINE FOOT
FRAME
LoLine Only
1350mm



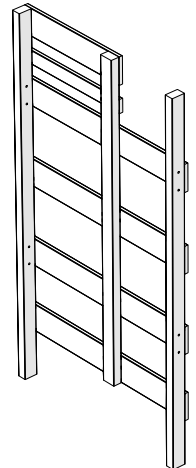
x1
MIDLINE HEAD
FRAME
MidLine Only
1695mm



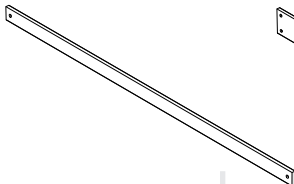
x1
MIDLINE FOOT
FRAME
MidLine Only
1695mm



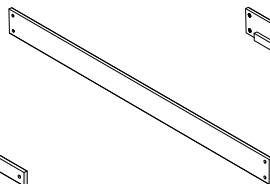
x1
LOFT HEAD
FRAME
Loft Only
1875mm



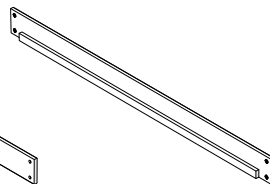
x1
LOFT FOOT
FRAME
Loft Only
1875mm



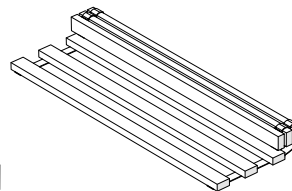
x2
SAFETY SPACER RAIL
Single or Double
1920mm
King Single or Queen
2060mm



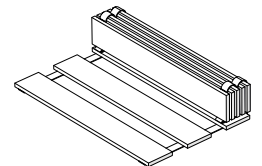
x2
SAFETY RAIL
Single or Double
1920mm
King Single or Queen
2060mm



x3
SIDE RAIL
Single or Double
1920mm
King Single or Queen
2060mm

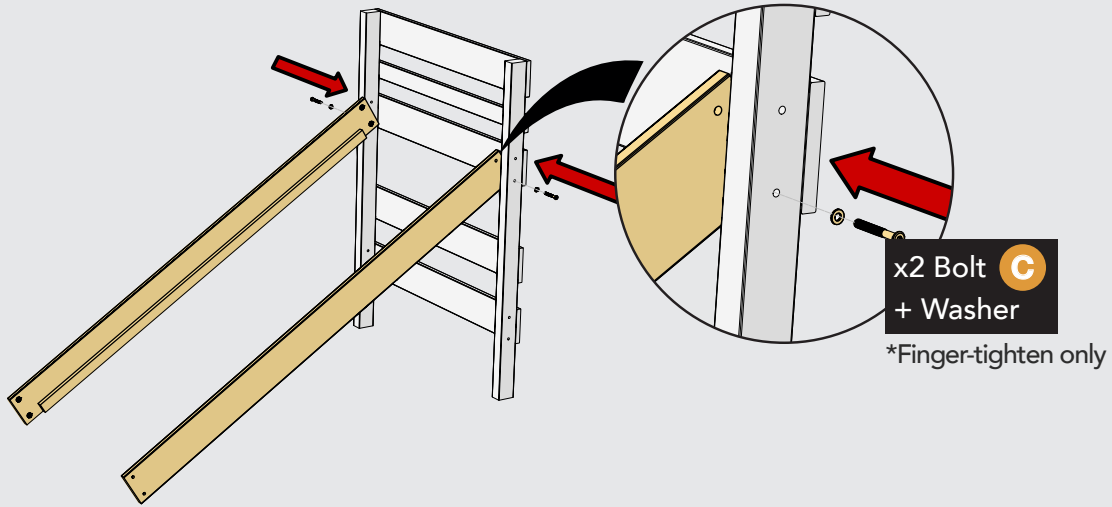


x2
SLATS
Double or Queen

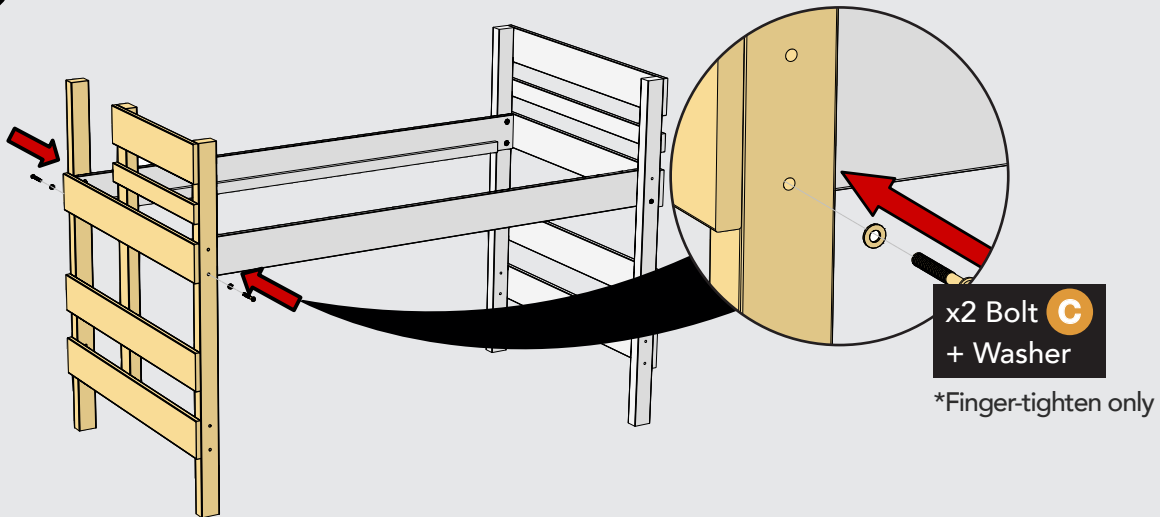


x1
SLATS
Single or King Single

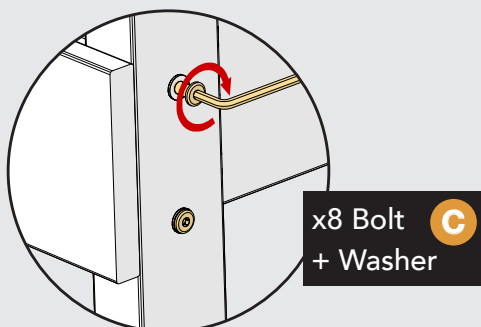
- 1** Position Side Rails inside Head Frame posts. Attach by placing bolt C through post hole & aligning with t-nut thread inside Side Rail. Finger tighten bolts.



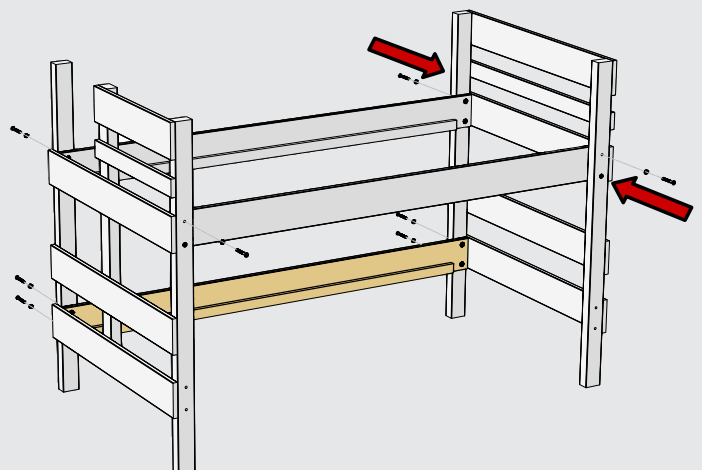
- 2** Attach Side Rails to Foot Frame.



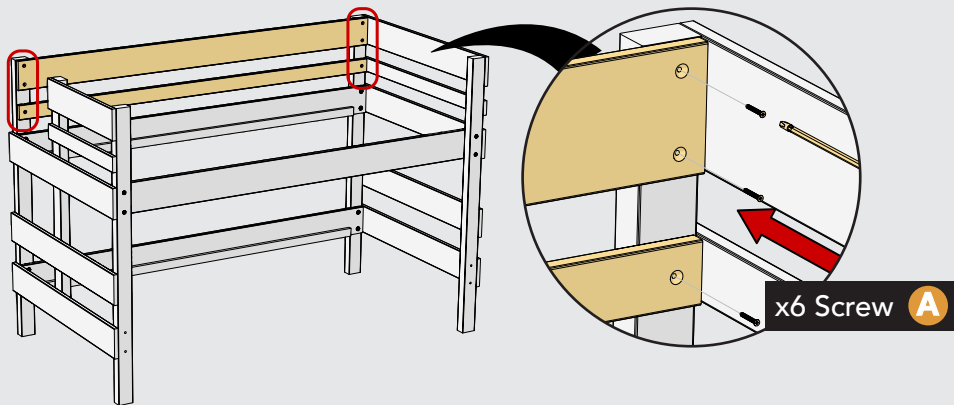
- 3** Attach the bottom Side Rail. Attach all remaining C fasteners.



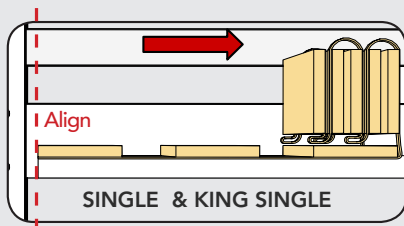
Then tighten all bolts with allen key.



- 4** Place Safety Rail inside Frame, align with top of post & fasten. Centre Safety Spacer rail between Safety Rail & Side Rail then fasten.

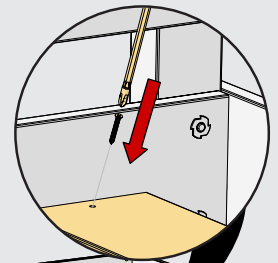


- 5** Place Slats onto Side Rails. Align with one end of side cleat & fasten through hole provided. Stretch to align other end of side cleat & secure remaining screws.

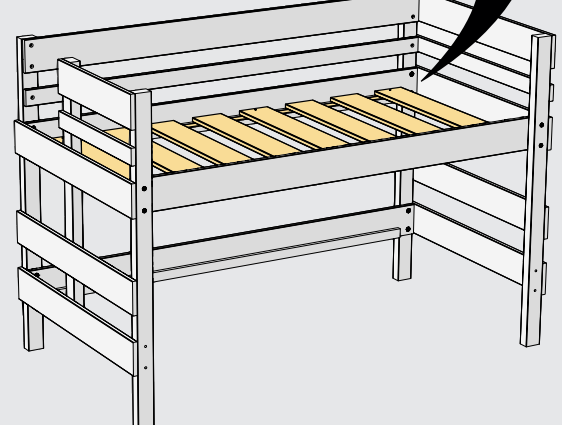
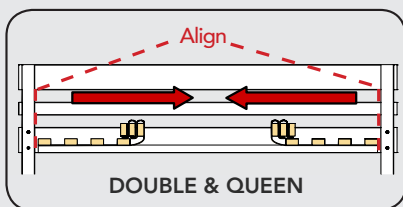


x6 Screw **A**
Single or King Single

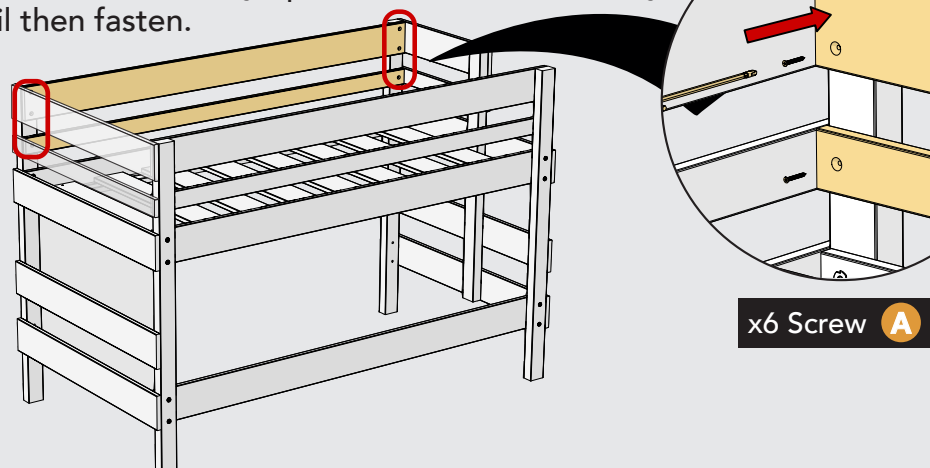
x8 Screw **B**
Double or Queen



Place Slats onto Side Rails.
Align with one end of side cleat & fasten through hole provided.
Repeat opposite end with second slat.
Stretch both to create middle gap between 50-95mm & secure.



- 6** Place remaining Safety Rails inside Frames. Align with top of posts & fasten. Centre Safety Spacer Rail between Safety Rail & Side Rail then fasten.



7 The Important Stuff.

Tighten all bolts after one month of use.

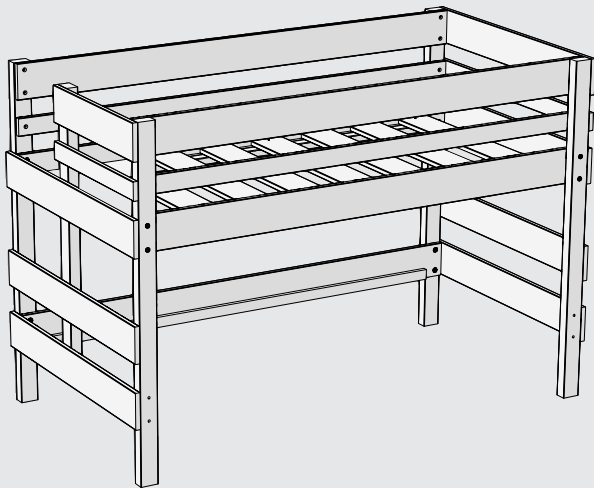
All beds should be checked periodically to ensure fasteners are tight.

In rooms with ceiling fans care must be taken to ensure distance between closest point is at least 2m.

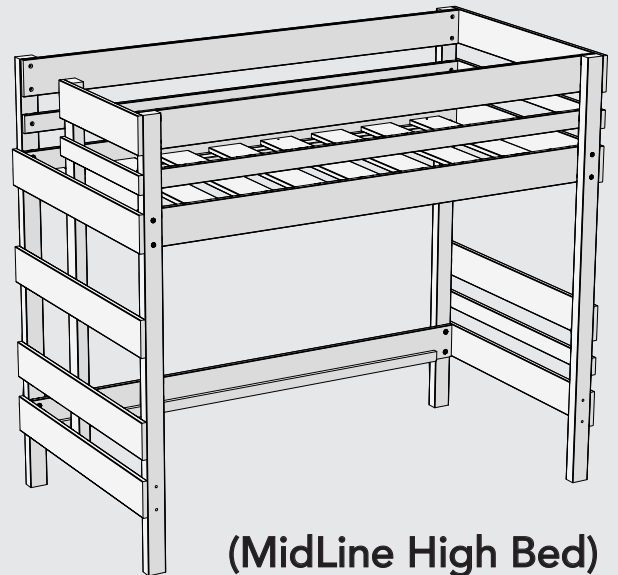
Children should be discouraged from playing on bunks.

Upper bunk not suitable for children under the age of six.

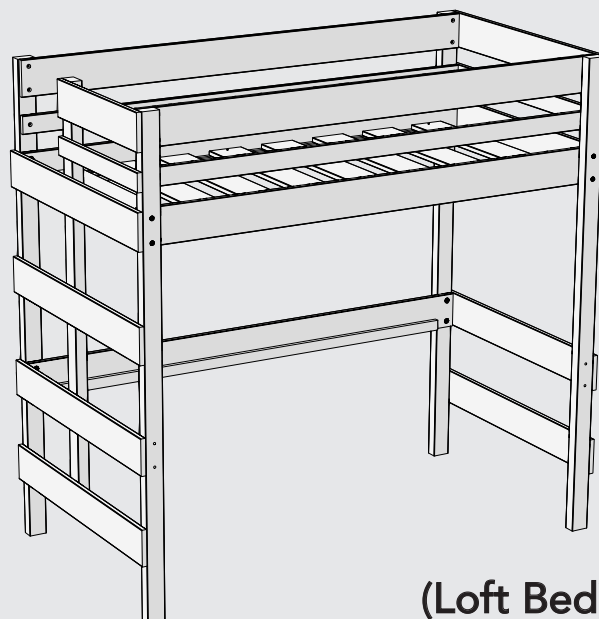
ENJOY!



(LoLine High Bed)



(MidLine High Bed)



(Loft Bed)