

Fixings

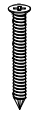


*Not Included: 1 friend.

Like most things in life, assembling your bunk will be better with a friend!



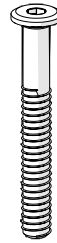
x1
ALLEN KEY
& DRIVER



x18
Single & King Single
x12
Double & Queen
SCREW



x8
Double & Queen
SCREW

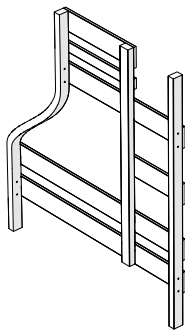


x16
64mm
BOLT

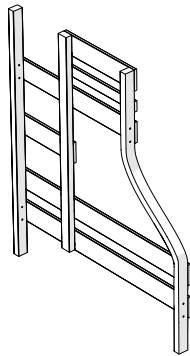


x16
WASHER

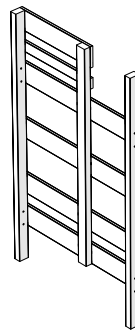
Parts List



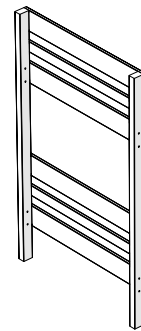
x1
TREBLE LEFT
FRAME
Single/Double
1500mm
King Single/Queen
1660mm



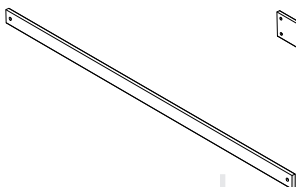
x1
TREBLE RIGHT
FRAME
Single/Double
1500mm
King Single/Queen
1660mm



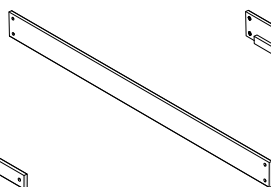
x1
END LADDER
HEAD FRAME
Single
1040mm
King Single
1200mm



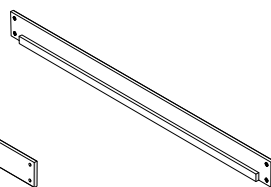
x1
END LADDER
FOOT FRAME
Single
1040mm
King Single
1200mm



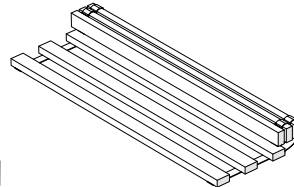
x2
SAFETY SPACER RAIL
Single or Double
1920mm
King Single or Queen
2060mm



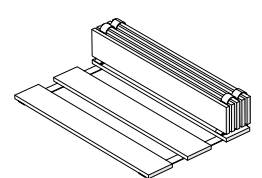
x2
SAFETY RAIL
Single or Double
1920mm
King Single or Queen
2060mm



x4
SIDE RAIL
Single or Double
1920mm
King Single or Queen
2060mm

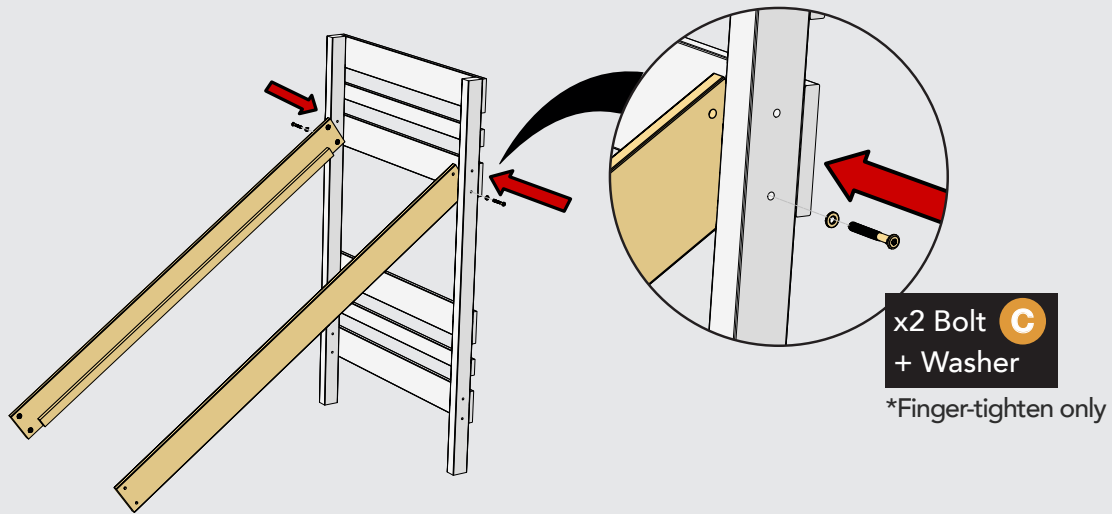


x2
SLATS
Treble
Double or Queen

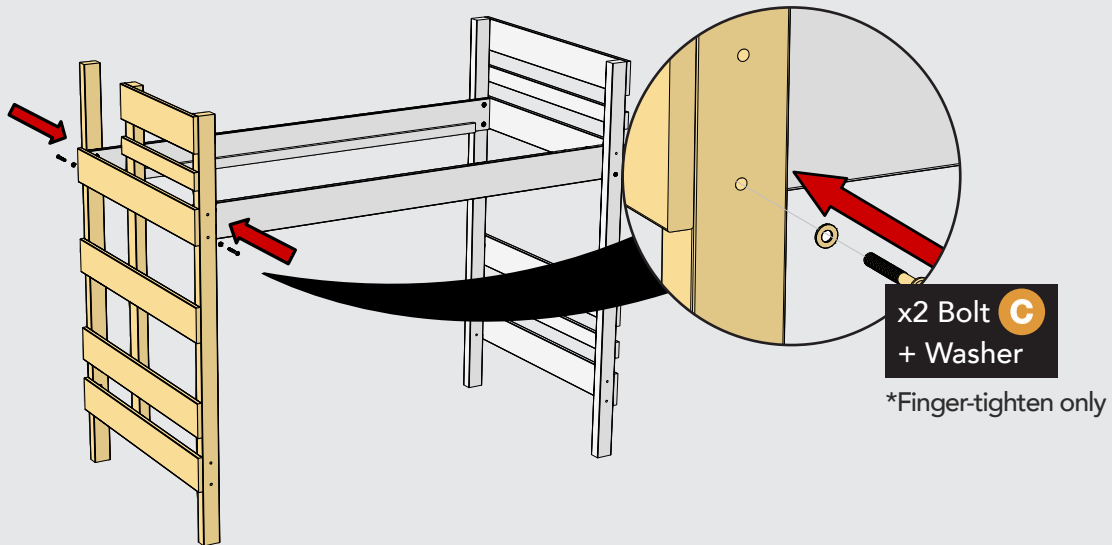


x2
SLATS
End Ladder Bunk
x1
SLATS
Treble Bunk

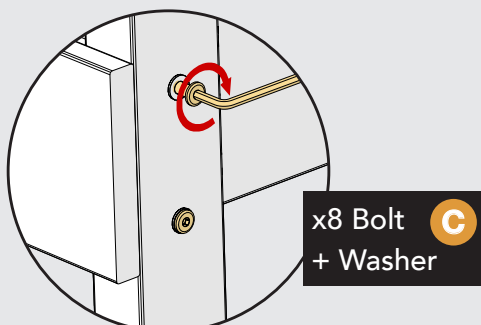
- 1** Position Side Rails inside Head Frame posts. Attach by placing bolt C through post hole & aligning with t-nut thread inside Side Rail. Finger tighten bolts.



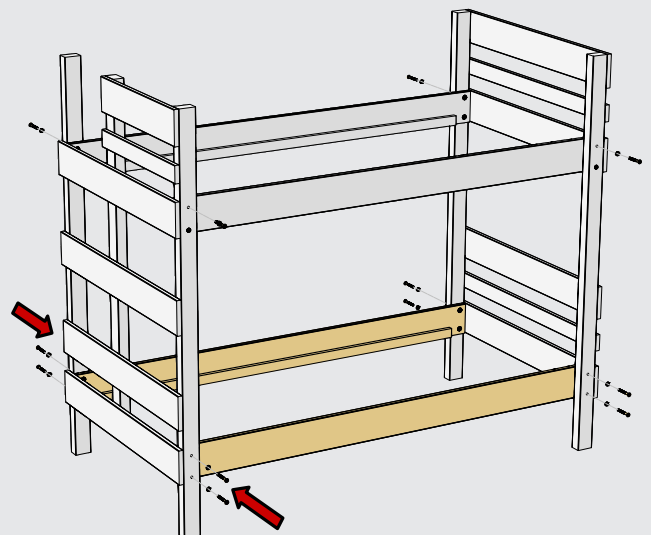
- 2** Attach Side Rails to Foot Frame.



- 3** Attach the bottom Side Rail. Attach all remaining **C** fasteners.



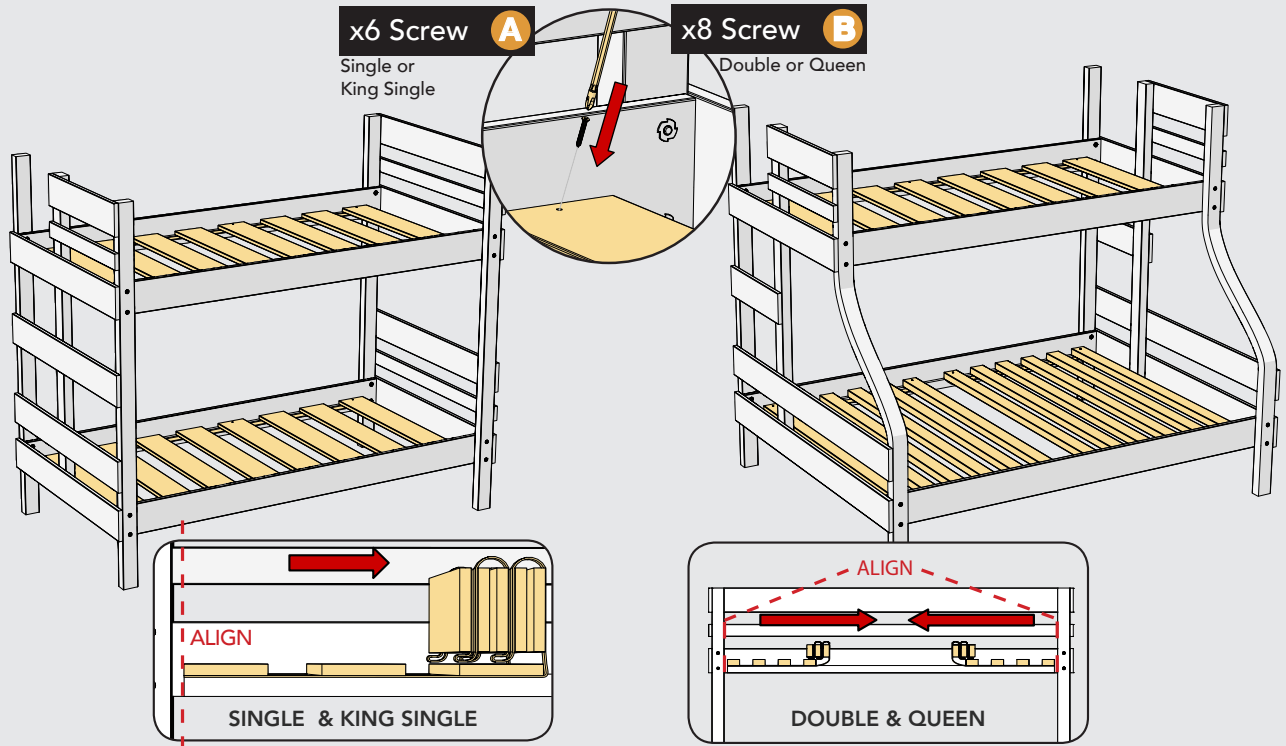
Then tighten all bolts with allen key.



4

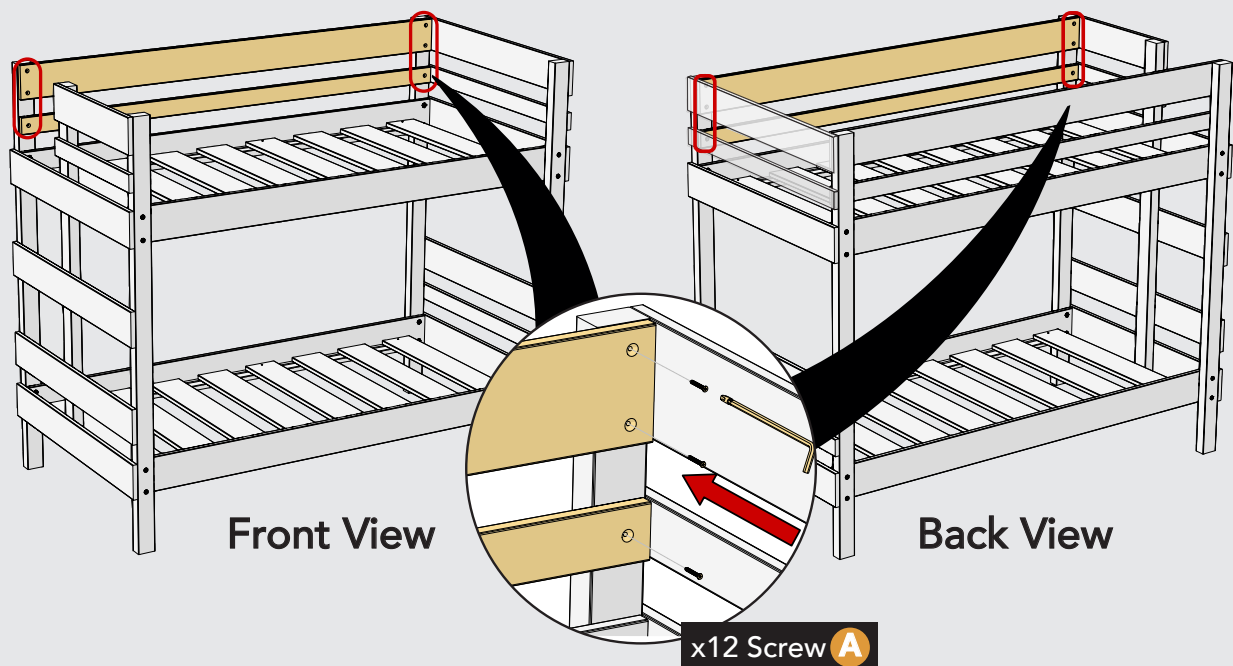
Single/King Single; Place Slats onto Side Rails. Align with one end of side cleat & fasten through hole provided. Stretch to align other end of side cleat & secure remaining screws.

Double/Queen; Place Slats onto Side Rails. Align with one end of side cleat & fasten through hole provided. Repeat opposite end with second slat. Stretch both to create middle gap between 50-95mm & secure.



5

Place Safety Rail inside Frame, align with top of post & fasten. Centre Safety Spacer Rail between Safety Rail & Side Rail then fasten. Repeat on opposite side.



6 The Important Stuff.

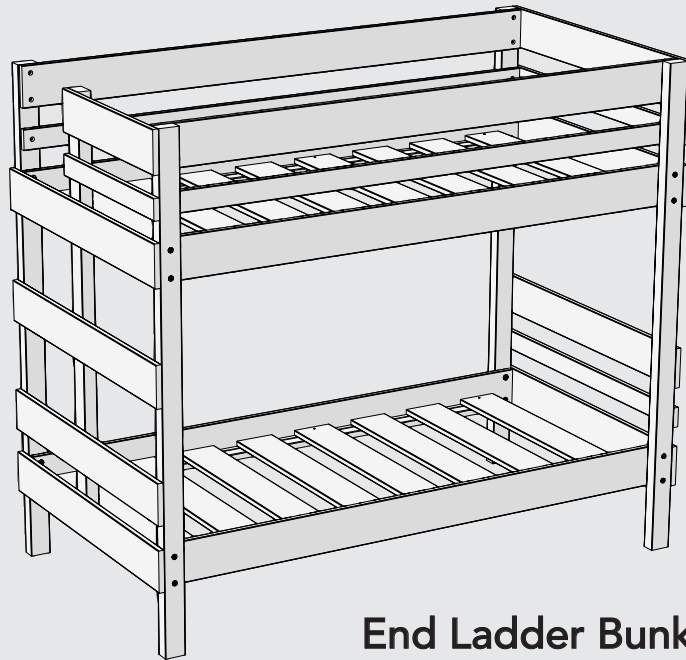
Tighten all bolts after one month of use.
All beds should be checked periodically to ensure fasteners are tight.

In rooms with ceiling fans care must be taken to ensure distance between closest point is at least 2m.

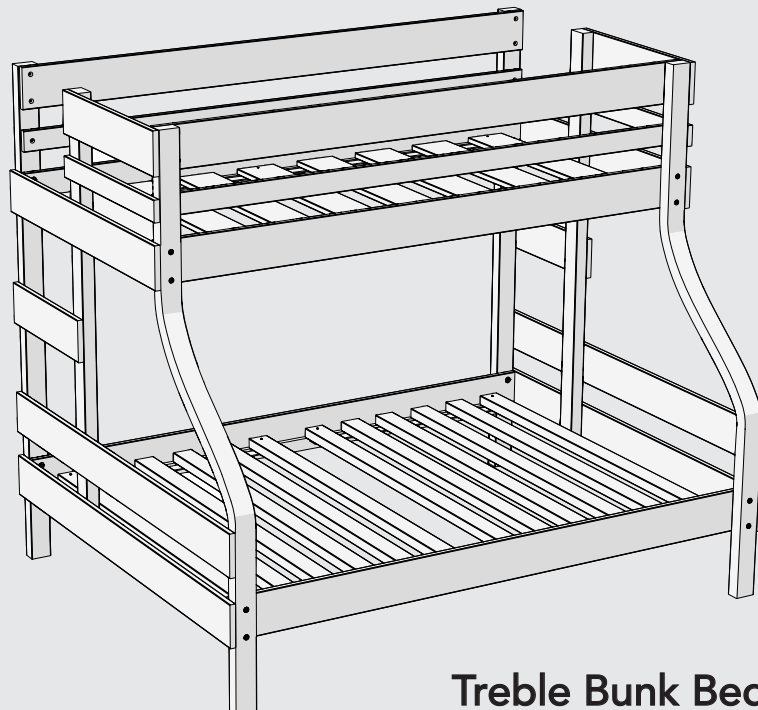
Children should be discouraged from playing on bunks.

Upper bunk not suitable for children under the age of six.

ENJOY!



End Ladder Bunk



Treble Bunk Bed