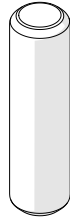


### Fixings

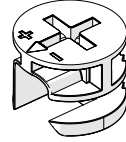
 \*Not Included: 1 friend.  
Like most things in life, assembling your Pedestal Shelf will be better with a friend!



**x8**  
PINS



**x2**  
DOWEL

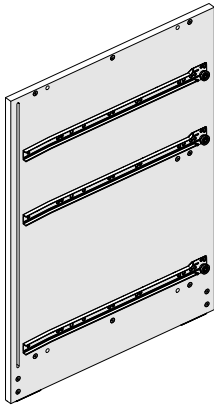


**x8**  
CAMS

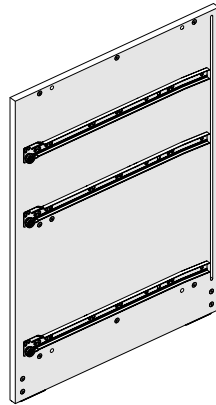


**x1**  
MEASURING TUBE

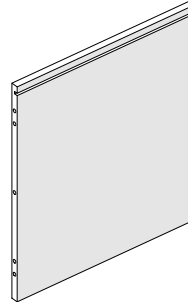
### Parts List - Frame



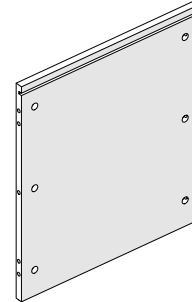
**x1**  
RIGHT  
WALL



**x1**  
LEFT  
WALL



**x1**  
BOTTOM  
PANEL



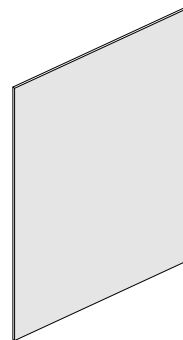
**x1**  
TOP  
PANEL



**x1**  
BRACE



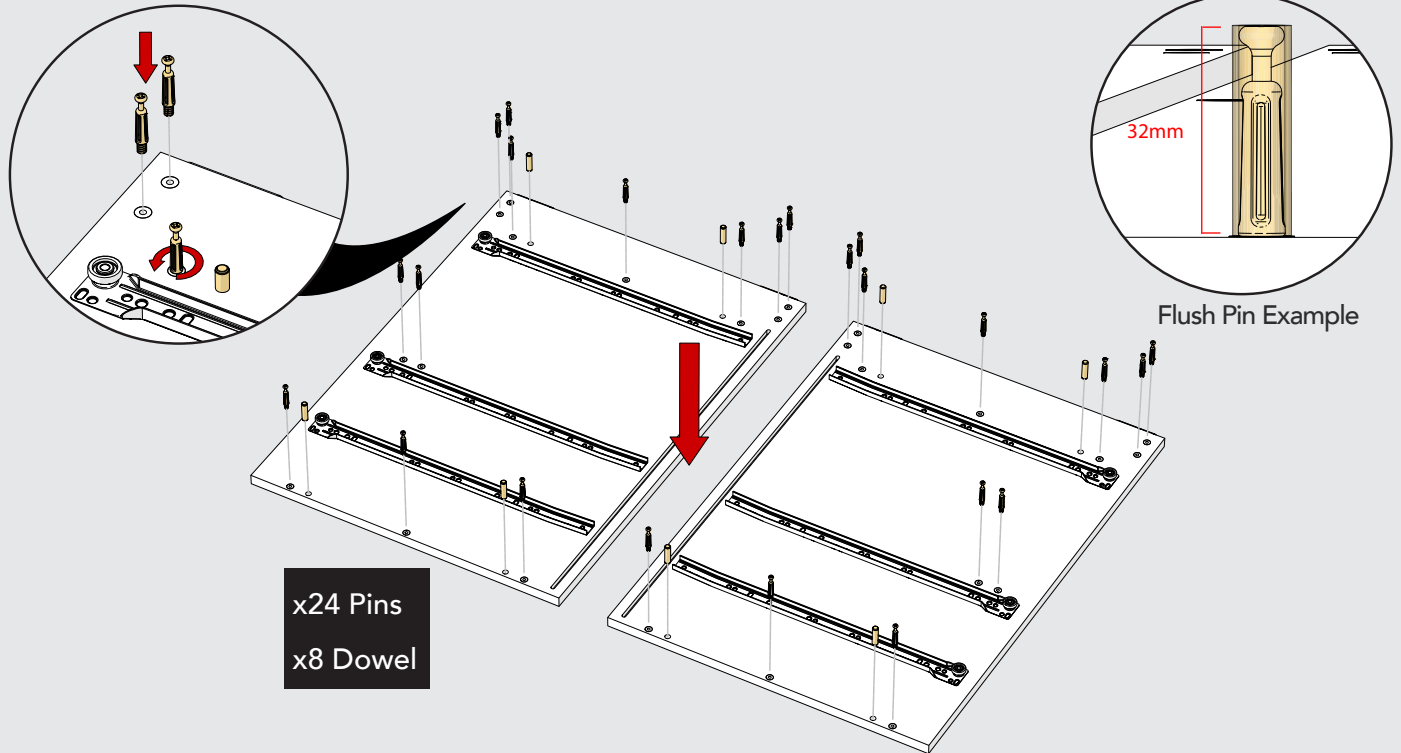
**x2**  
KICK PLATE



**x1**  
BACK PANEL

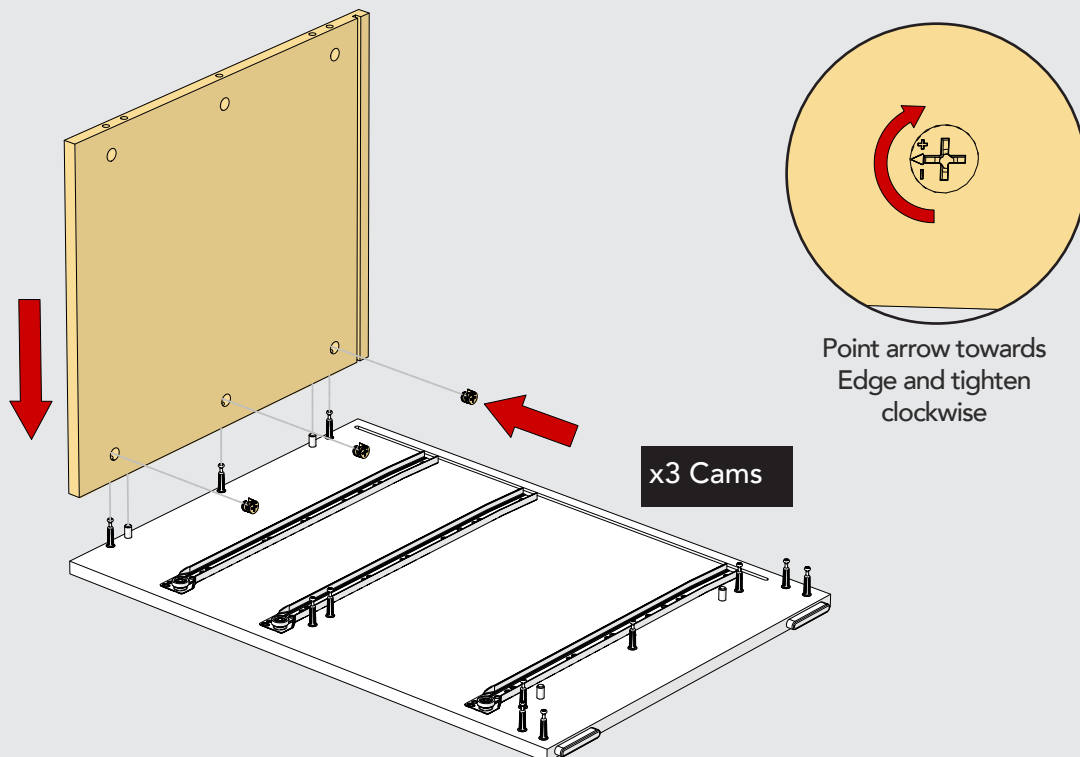
**1**

- Screw Pins into nylon inserts in each panel. Tighten until top of Pin is flush with 32mm Measuring Tube. Do not overtighten.
- Place Dowels into dowel holes.



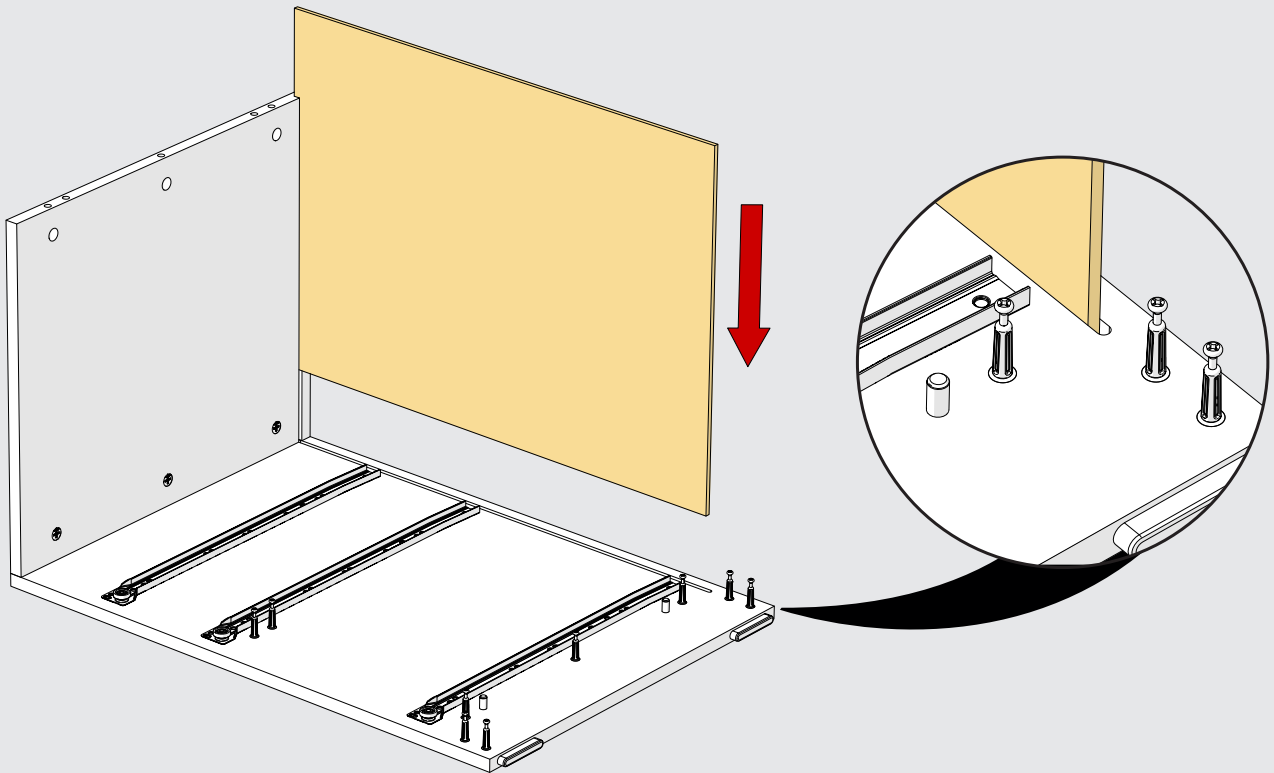
**2**

- Place Left Wall on ground then align and lower Top Panel onto the pins.
- Place Cams into holes and tighten.



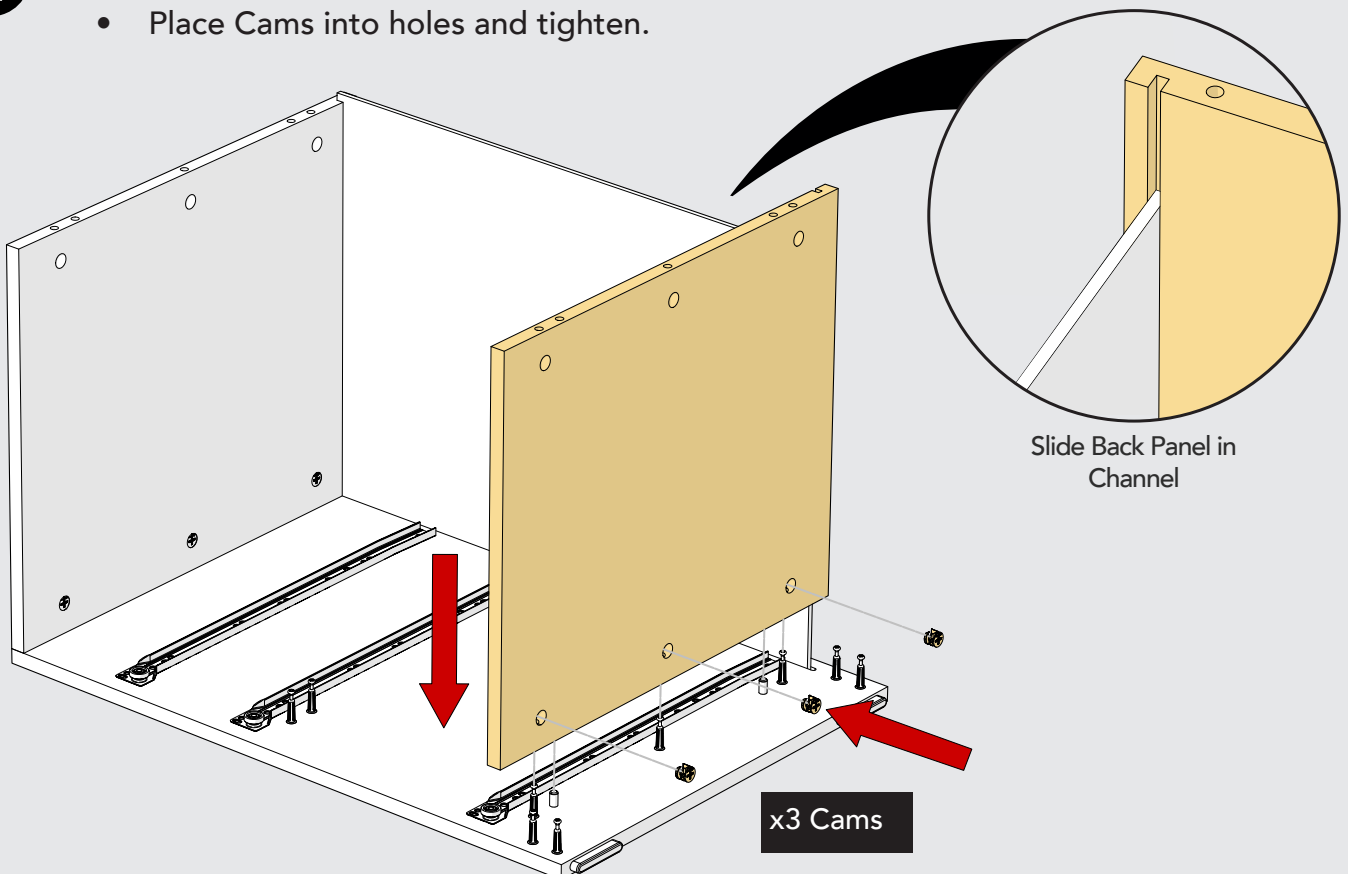
**3**

Align Back Panel with the channel in the Left Wall and Top, then lower.



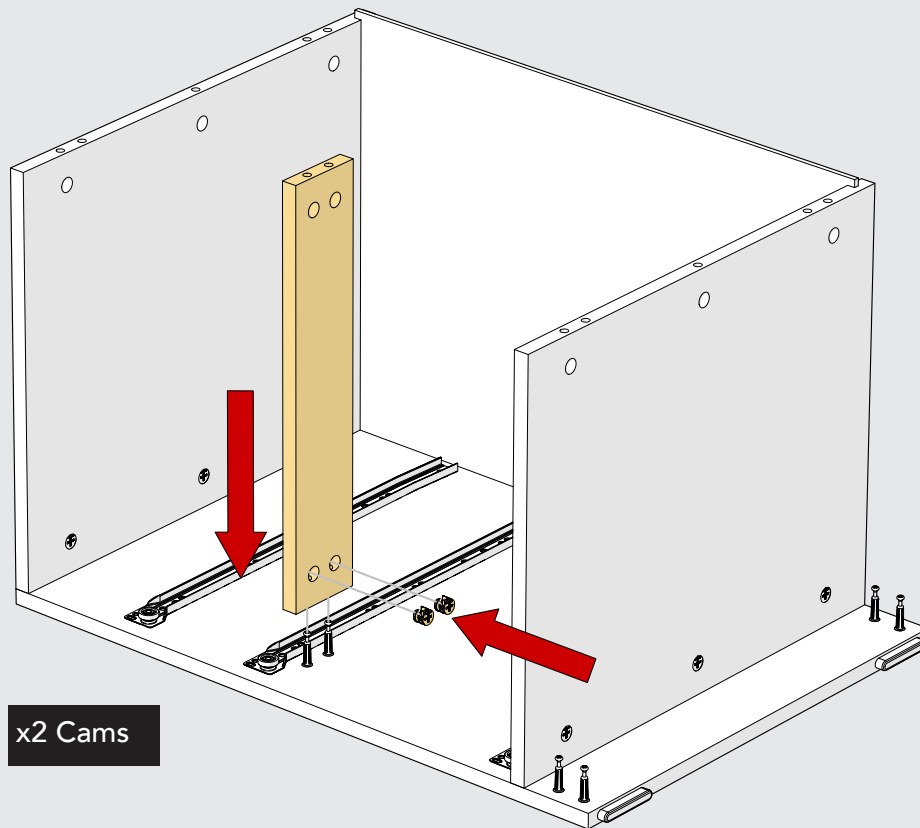
**4**

- Align Bottom Panel with Pins, Dowels and the Back Panel, then lower.
- Place Cams into holes and tighten.



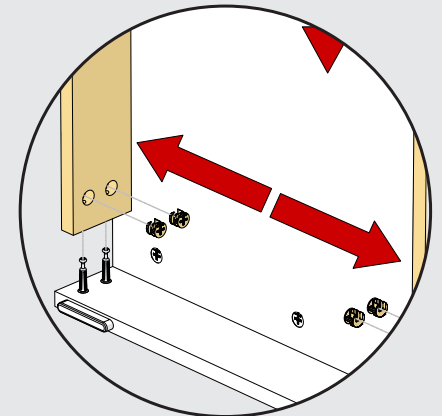
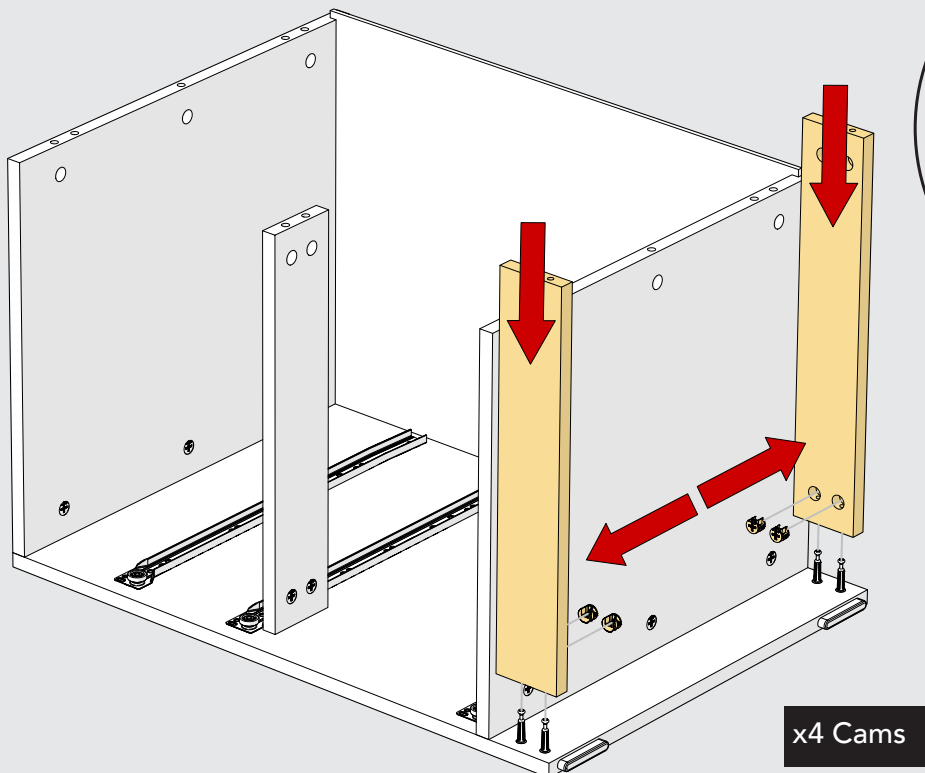
**5**

- Align Brace with Pins then lower.
- Place Cams into holes and tighten.



**6**

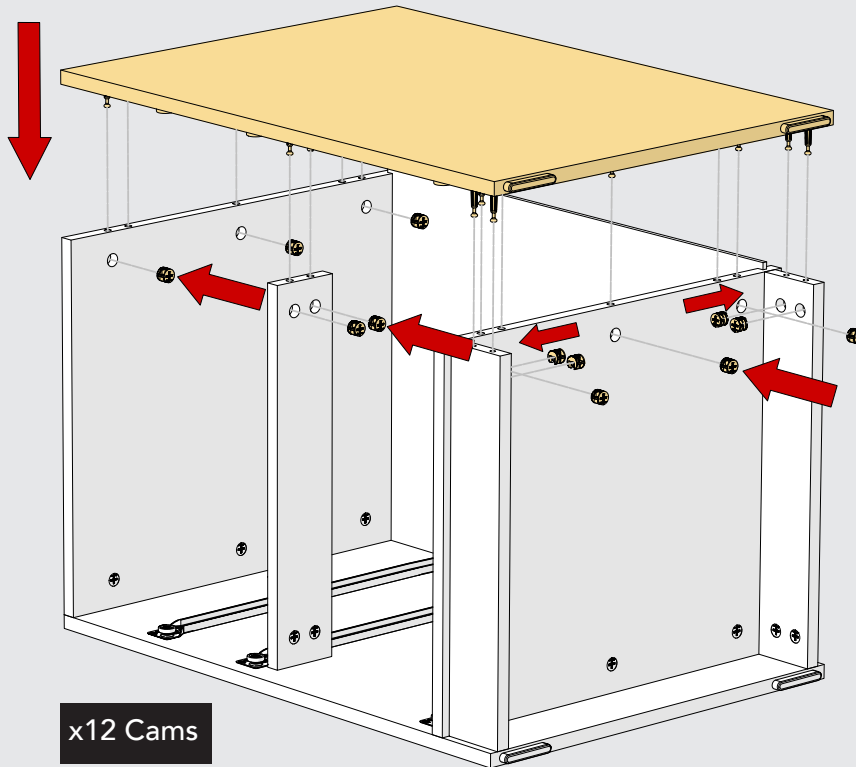
- Align Kick Plates with Pins then lower.
- Place Cams into holes and tighten.



Front Kick Plate  
Cam View

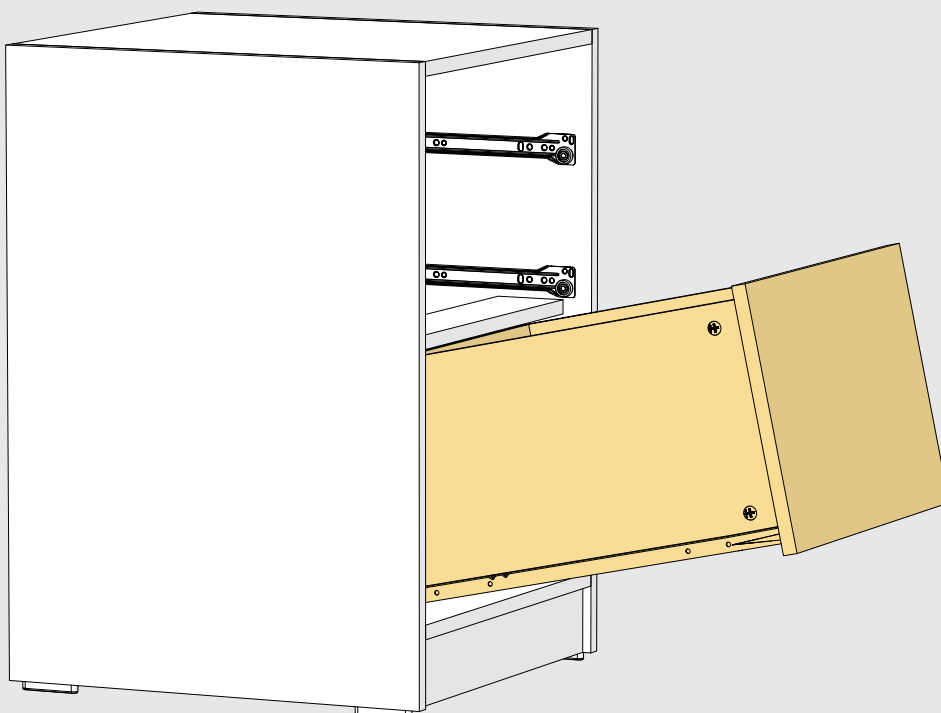
**7**

- Align Right Wall with pilot holes and the Back Panel, then lower.
- Place Cams into holes and tighten.



**8**

- Refer to the Drawers Manual to assemble the three Drawers.
- Then Position the large drawer on an angle in the bottom cavity with the rail wheels resting on top of each other. Gently push the drawer forward. Repeat this two more times for the small drawers.



Rail wheels on top of each other

**7**

Standard unit fully assembled.

